

US00D509902S

(12) **United States Design Patent** (10) **Patent No.:** **US D509,902 S**
Sullivan (45) **Date of Patent:** **** Sep. 20, 2005**

(54) **FIBERGLASS POOL**
(75) **Inventor:** **Kirk Sullivan, Lakeland, FL (US)**
(73) **Assignee:** **San Juan Patents, Inc., Lakeland, FL (US)**
(**) **Term:** **14 Years**
(21) **Appl. No.:** **29/213,331**
(22) **Filed:** **Sep. 16, 2004**

D408,551 S 4/1999 Sullivan
D408,927 S 4/1999 Sullivan
D408,928 S 4/1999 Sullivan
D417,286 S 11/1999 Sullivan
D430,305 S 8/2000 Sullivan
D446,313 S 8/2001 Sullivan
D455,838 S * 4/2002 Erdelac D25/2
D460,194 S 7/2002 Sullivan
D460,195 S 7/2002 Sullivan
D471,282 S 3/2003 Sullivan
D471,283 S 3/2003 Sullivan

(51) **LOC (8) Cl.** **25-03**
(52) **U.S. Cl.** **D25/2**
(58) **Field of Search** **D25/2; 4/488, 4/506, 513**

OTHER PUBLICATIONS

OASIS: The Magazine of San Juan Pools, published by San Juan Products, 2002.

* cited by examiner

Primary Examiner—Doris Clark
(74) *Attorney, Agent, or Firm*—Stetina Brunda Garred & Brucker

(56) **References Cited**
U.S. PATENT DOCUMENTS

D179,930 S 3/1957 Culver
3,428,969 A 2/1969 Diamond et al.
3,511,002 A 5/1970 Fox
3,530,512 A 9/1970 McBride
D251,201 S 2/1979 Mathis
D266,699 S * 10/1982 Topete D24/204
D275,608 S 9/1984 Sullivan
D275,609 S 9/1984 Monten
D277,135 S 1/1985 Sullivan
D278,932 S 5/1985 Sullivan
D278,933 S 5/1985 Sullivan
4,566,141 A 1/1986 Mahoney
D285,350 S 8/1986 Sullivan
D347,697 S 6/1994 Weir
D408,547 S 4/1999 Sullivan
D408,548 S 4/1999 Sullivan
D408,549 S 4/1999 Sullivan
D408,550 S 4/1999 Sullivan

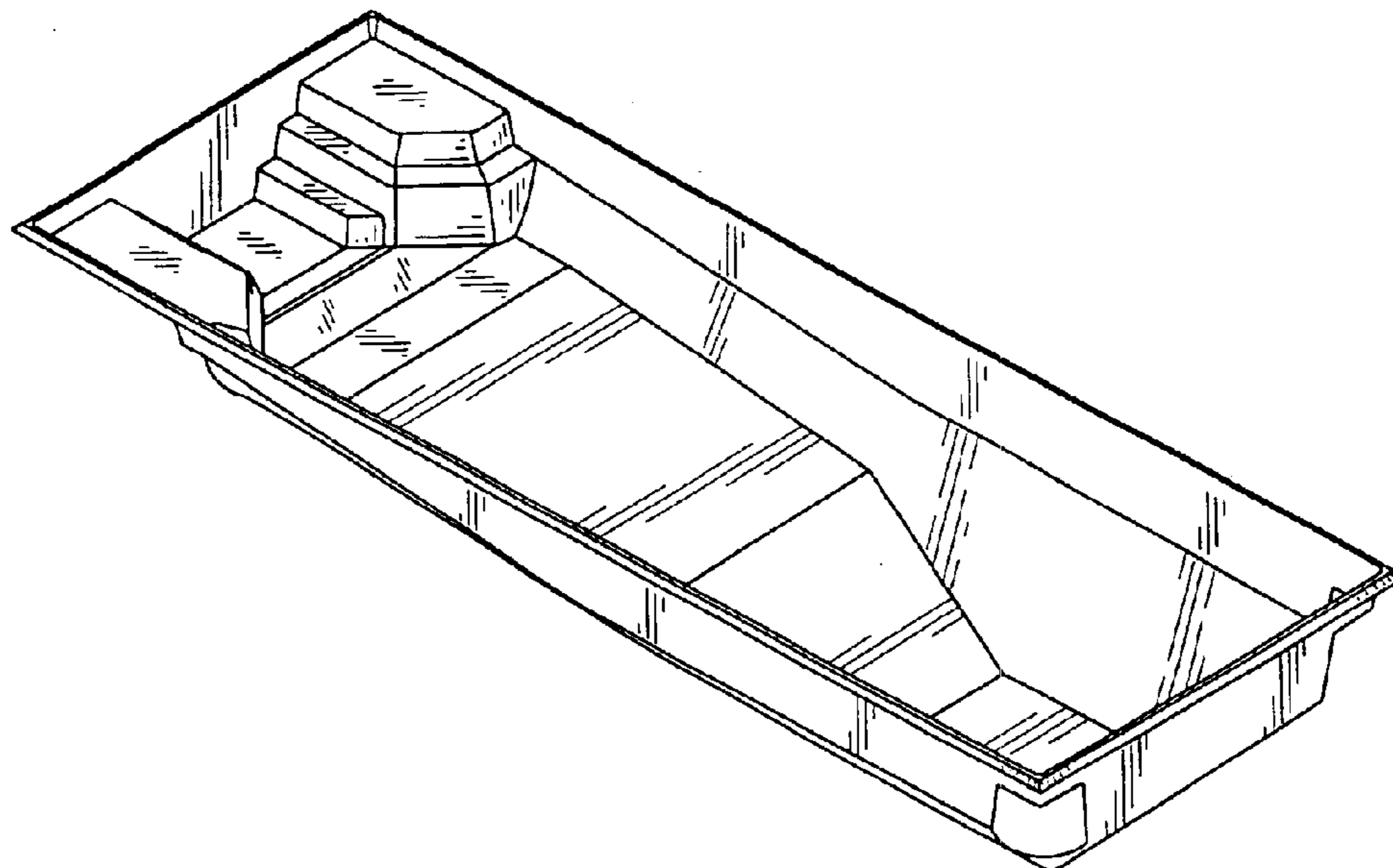
(57) **CLAIM**

I claim the ornamental design for a fiberglass pool, as shown and described.

DESCRIPTION

FIG. 1 is a front perspective view of a fiberglass pool showing my new design;
FIG. 2 is a top view thereof;
FIG. 3 is a left side view thereof;
FIG. 4 is a rear view thereof;
FIG. 5 is a frontal view thereof;
FIG. 6 is right side view thereof; and,
FIG. 7 is a bottom view thereof.

1 Claim, 2 Drawing Sheets



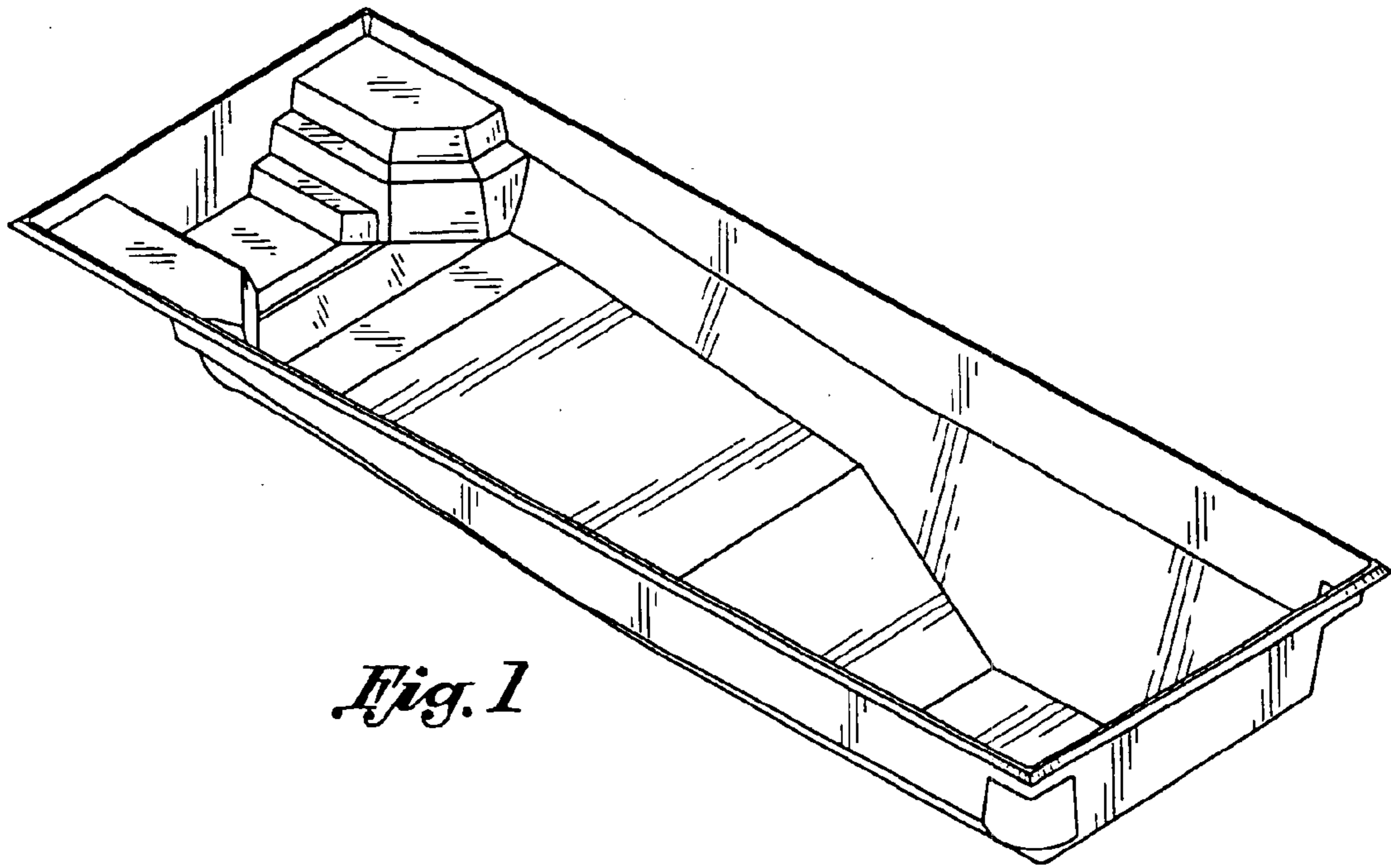


Fig. 1

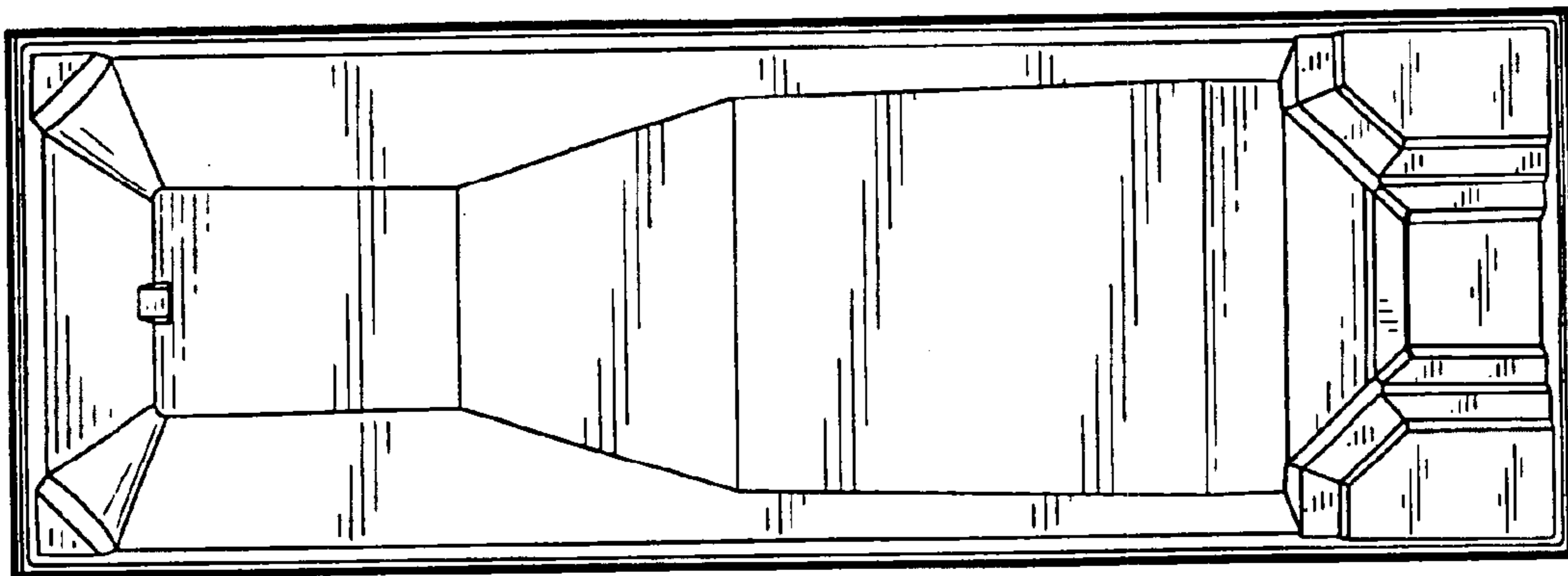


Fig. 2

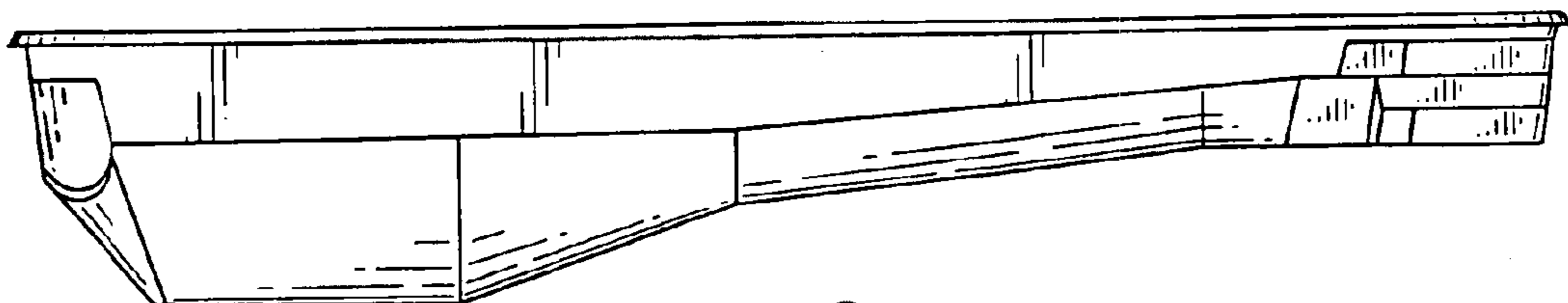


Fig. 3

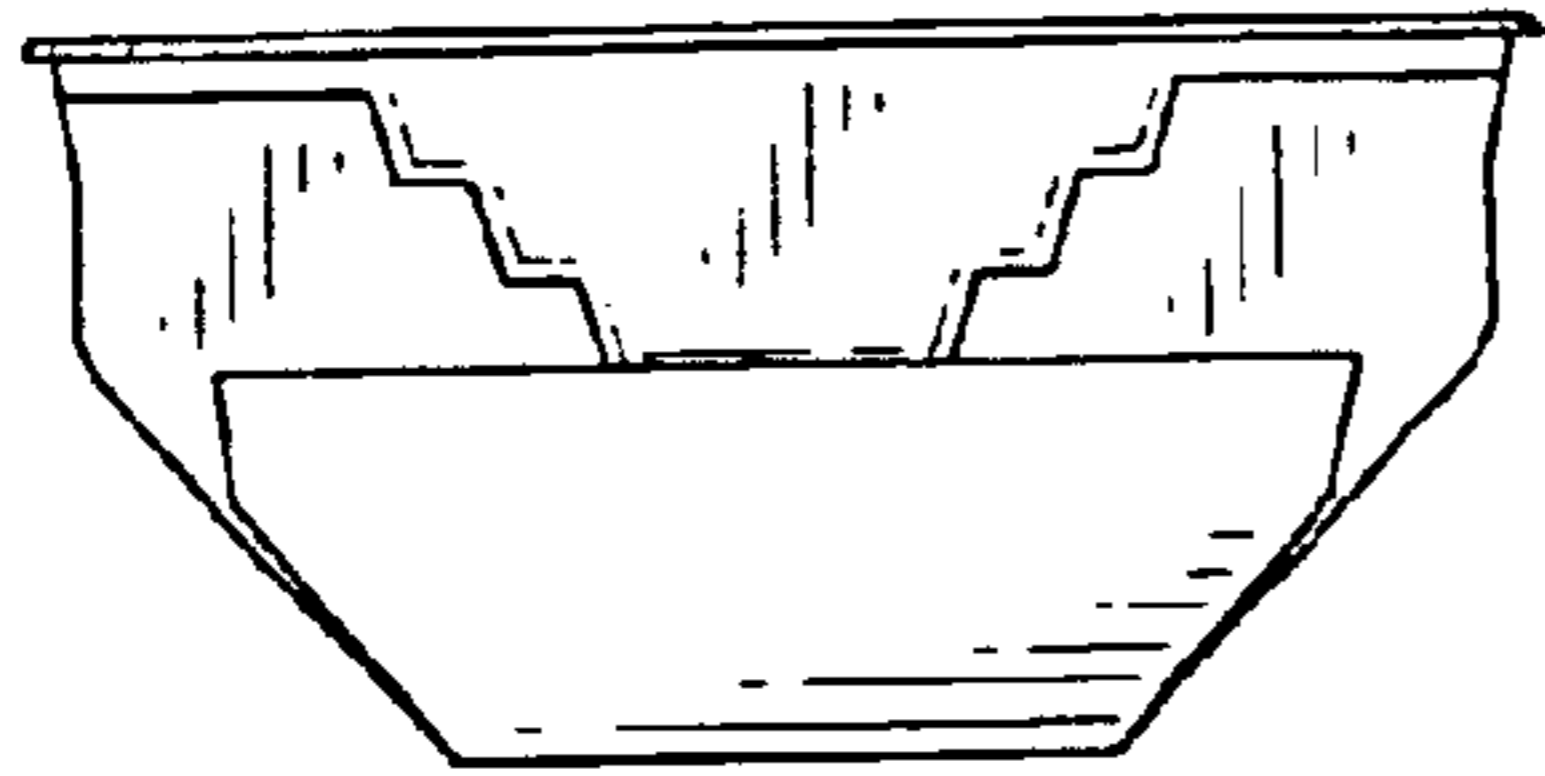


Fig. 4

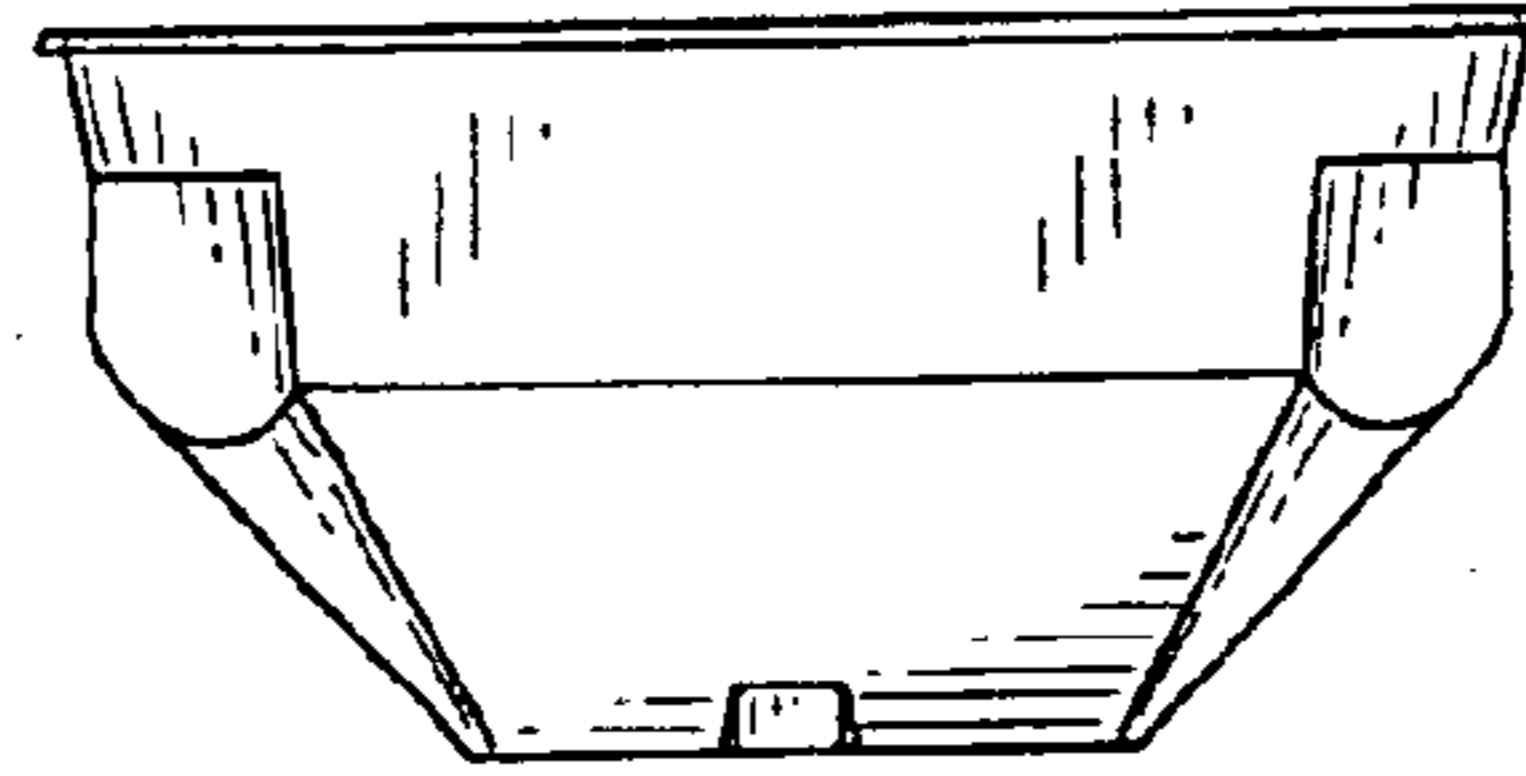


Fig. 5

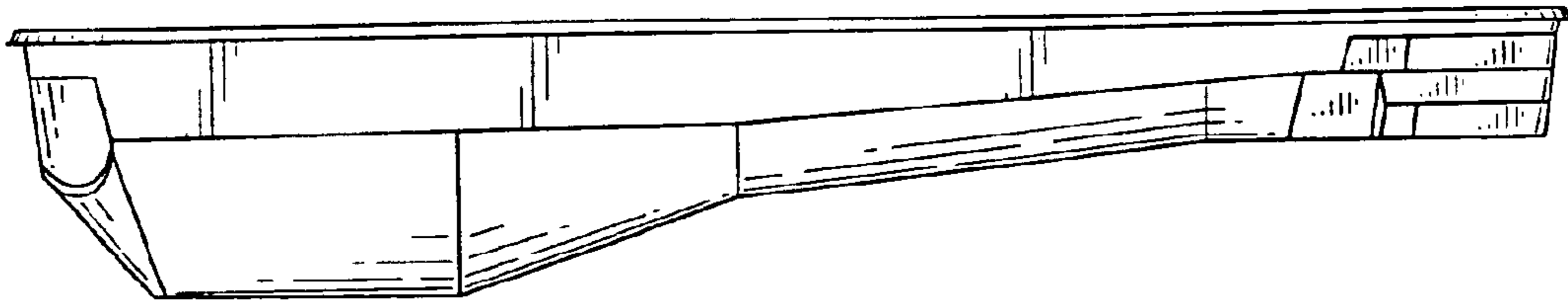


Fig. 6

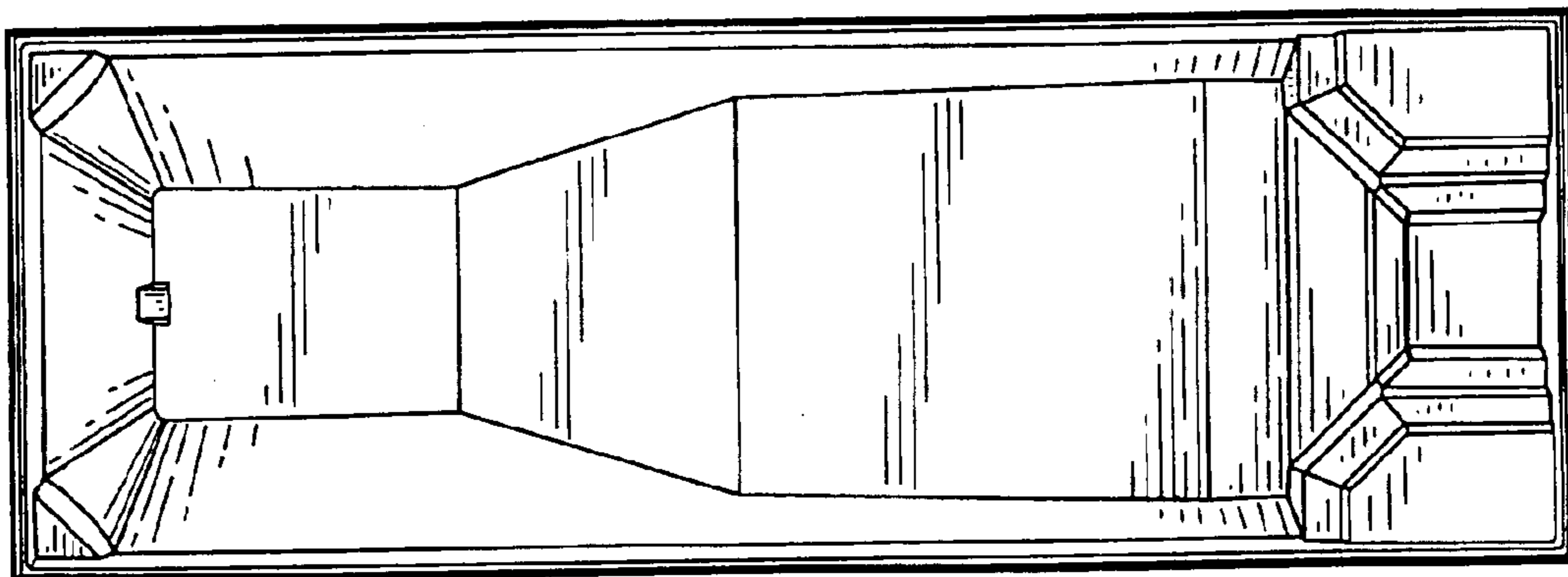


Fig. 7