



US00D509900S

(12) **United States Design Patent**
Barnes et al.

(10) **Patent No.: US D509,900 S**
(45) **Date of Patent: ** Sep. 20, 2005**

(54) **ULTRASOUND APPARATUS**

DESCRIPTION

(75) Inventors: **Stephanie A. Barnes**, Bothell, WA (US); **Gregory Wing**, Carnation, WA (US); **David Schultz**, Austin, TX (US)

(73) Assignee: **SonoSite, Inc.**, Bothell, WA (US)

(**) Term: **14 Years**

(21) Appl. No.: **29/203,134**

(22) Filed: **Apr. 8, 2004**

(51) **LOC (8) Cl.** **24-04**

(52) **U.S. Cl.** **D24/160**

(58) **Field of Search** D24/160, 185-187,
D24/107; D14/315, 318

(56) **References Cited**

U.S. PATENT DOCUMENTS

D291,442 S	*	8/1987	Kurihara	D14/315
D396,290 S	*	7/1998	Myers et al.	D24/186
D411,622 S	*	6/1999	Hall	D24/170
D438,204 S	*	2/2001	Winkler	D14/356
D454,954 S	*	3/2002	Cannon et al.	D24/160

* cited by examiner

Primary Examiner—Ian Simmons

Assistant Examiner—Daniel Yu

(74) *Attorney, Agent, or Firm*—Fulbright & Jaworski LLP

(57) **CLAIM**

The ornamental design for an ultrasound apparatus, as shown and described.

FIG. 1 is an isometric view of one embodiment showing the display and control panel of the design when the system is in an open position, where the keyboard, buttons, knobs, and other inputs are shown for environmental purposes only and form no part of the claimed design of this embodiment;

FIG. 2 is a rear elevation view of the embodiment of FIG. 1 showing the rear side of the design when the system is in an open position;

FIG. 3 is a front elevation view of the embodiment of FIG. 1 showing the display of the design when the system is in an open position;

FIG. 4 is a plan view from the top showing the control panel of the embodiment of FIG. 1 when the system is in an open position, it being appreciated that the keyboard, buttons, knobs, and other inputs shown in FIG. 1 for environmental purposes have been omitted in this view;

FIG. 5 is a side elevation view showing the right side of the embodiment of FIG. 1 when the system is in an open position;

FIG. 6 is a side elevation view showing the left side of the embodiment of FIG. 1 when the system is in an open position;

FIG. 7 is plan view from the bottom showing the bottom side of the embodiment of FIG. 1;

FIG. 8 is a plan view from the top showing the top side of the embodiment of FIG. 1 when the system is in a closed position; and,

FIG. 9 is a side elevation view showing the left side of the embodiment of FIG. 1 when the system is in a closed position.

1 Claim, 5 Drawing Sheets

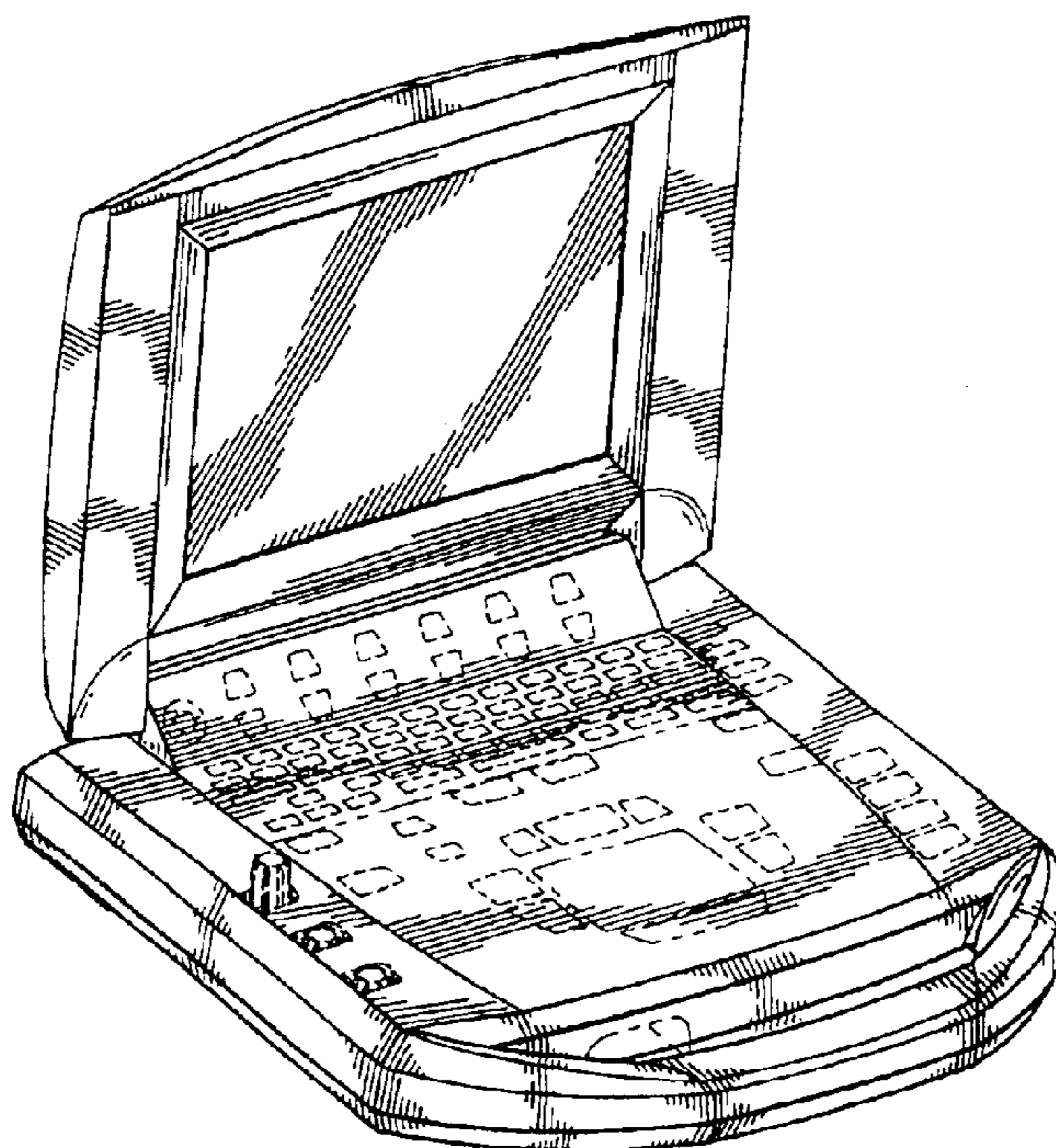


FIG. 1

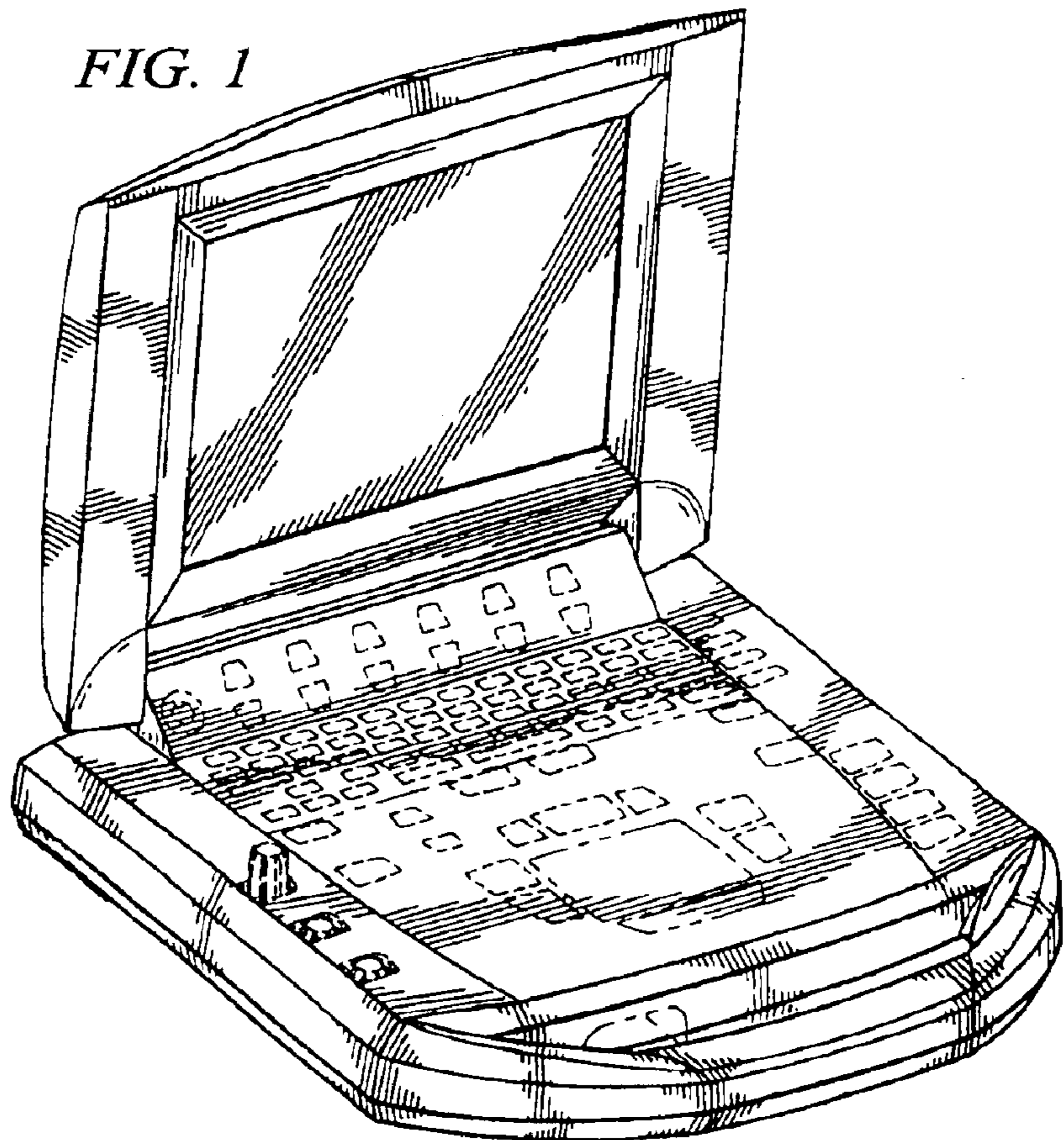


FIG. 2

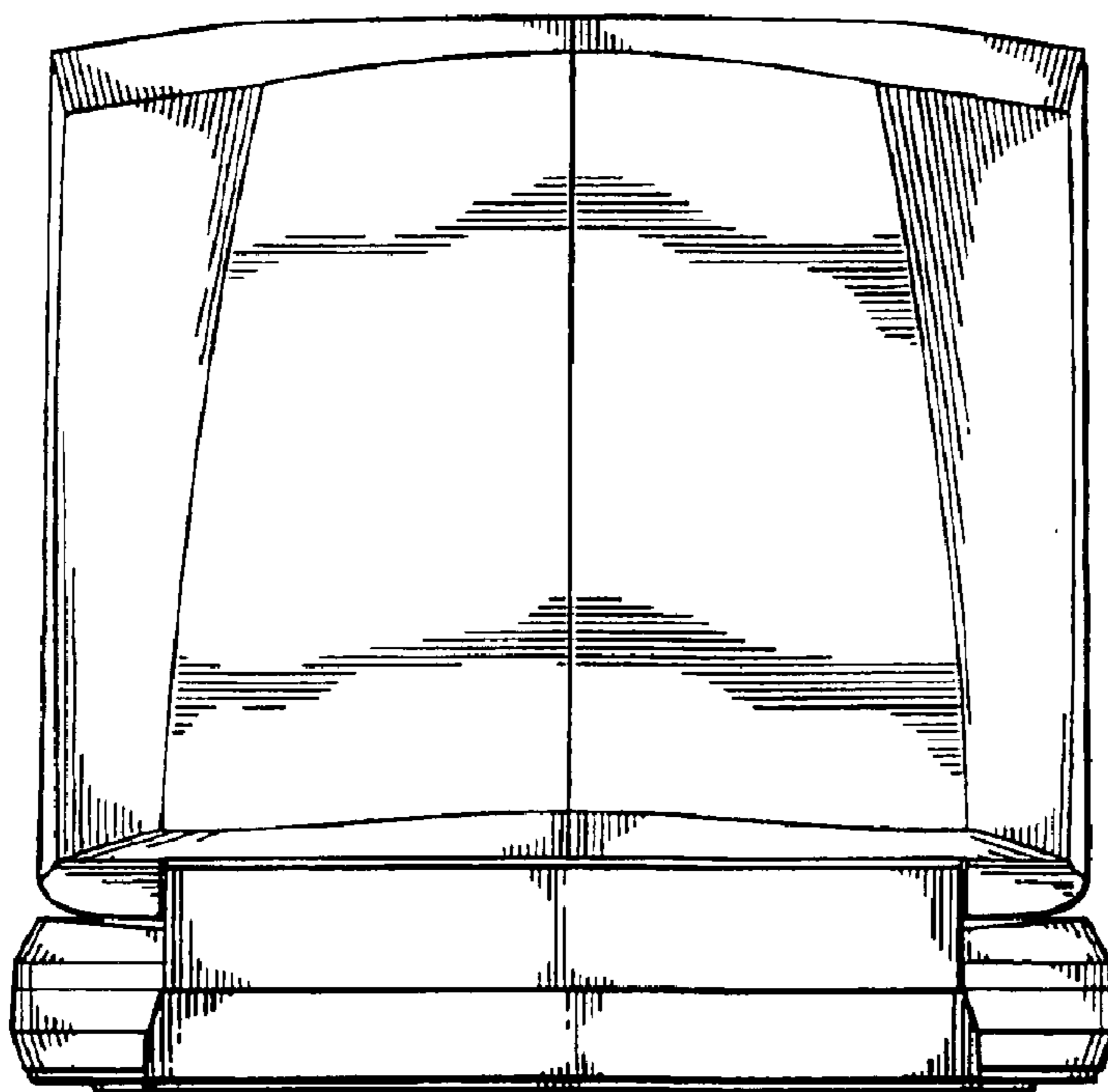


FIG. 3

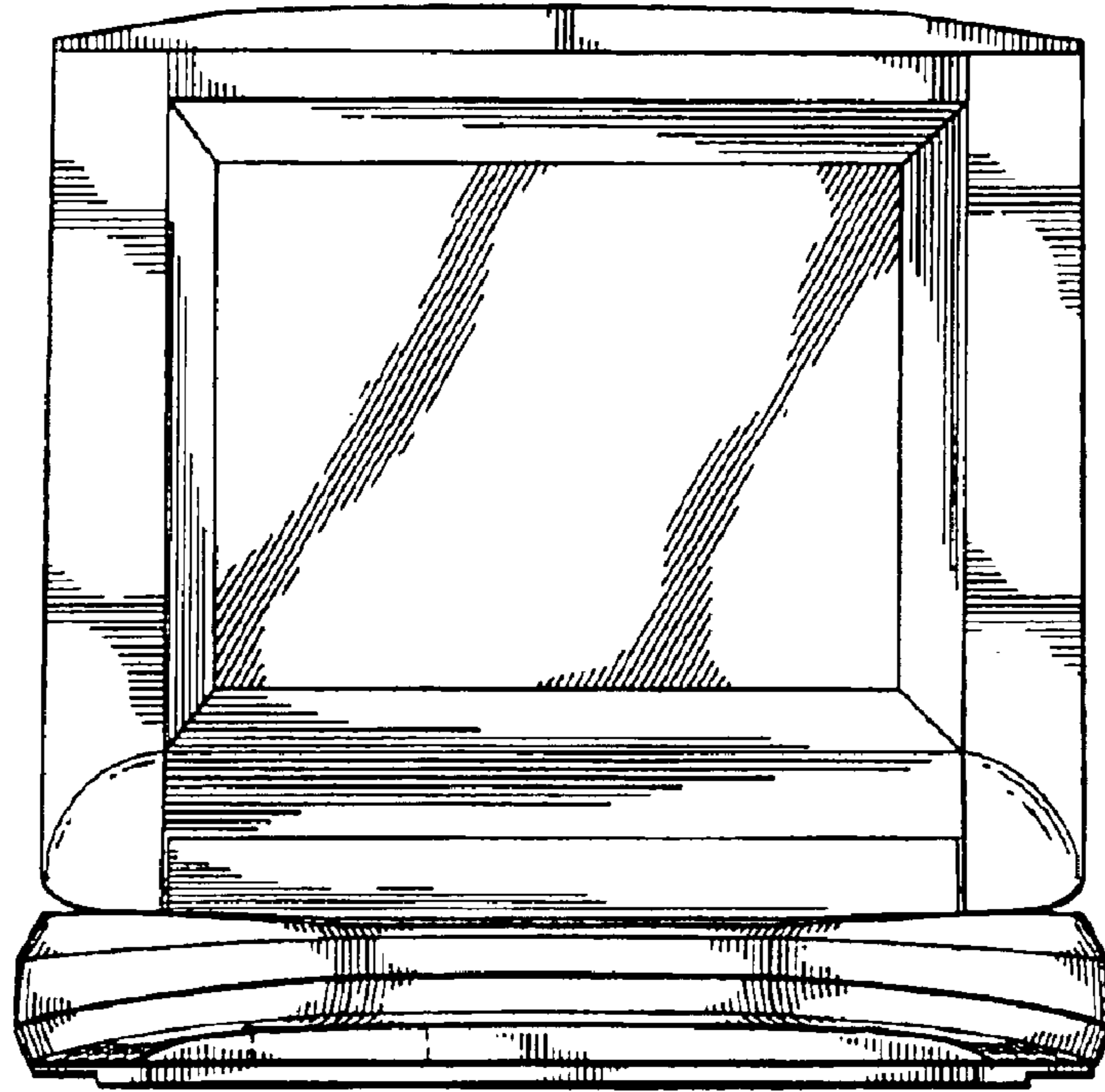
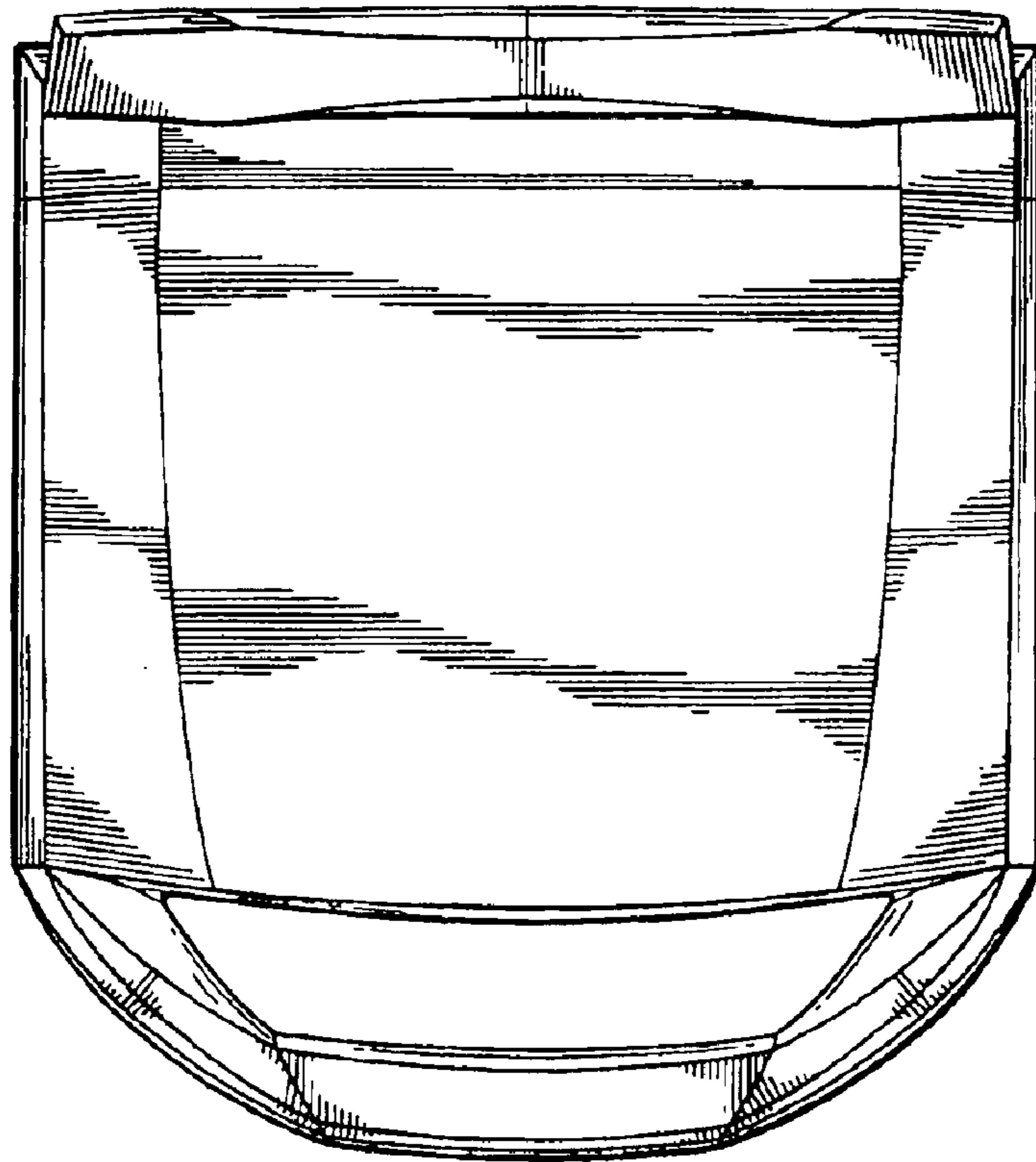


FIG. 4



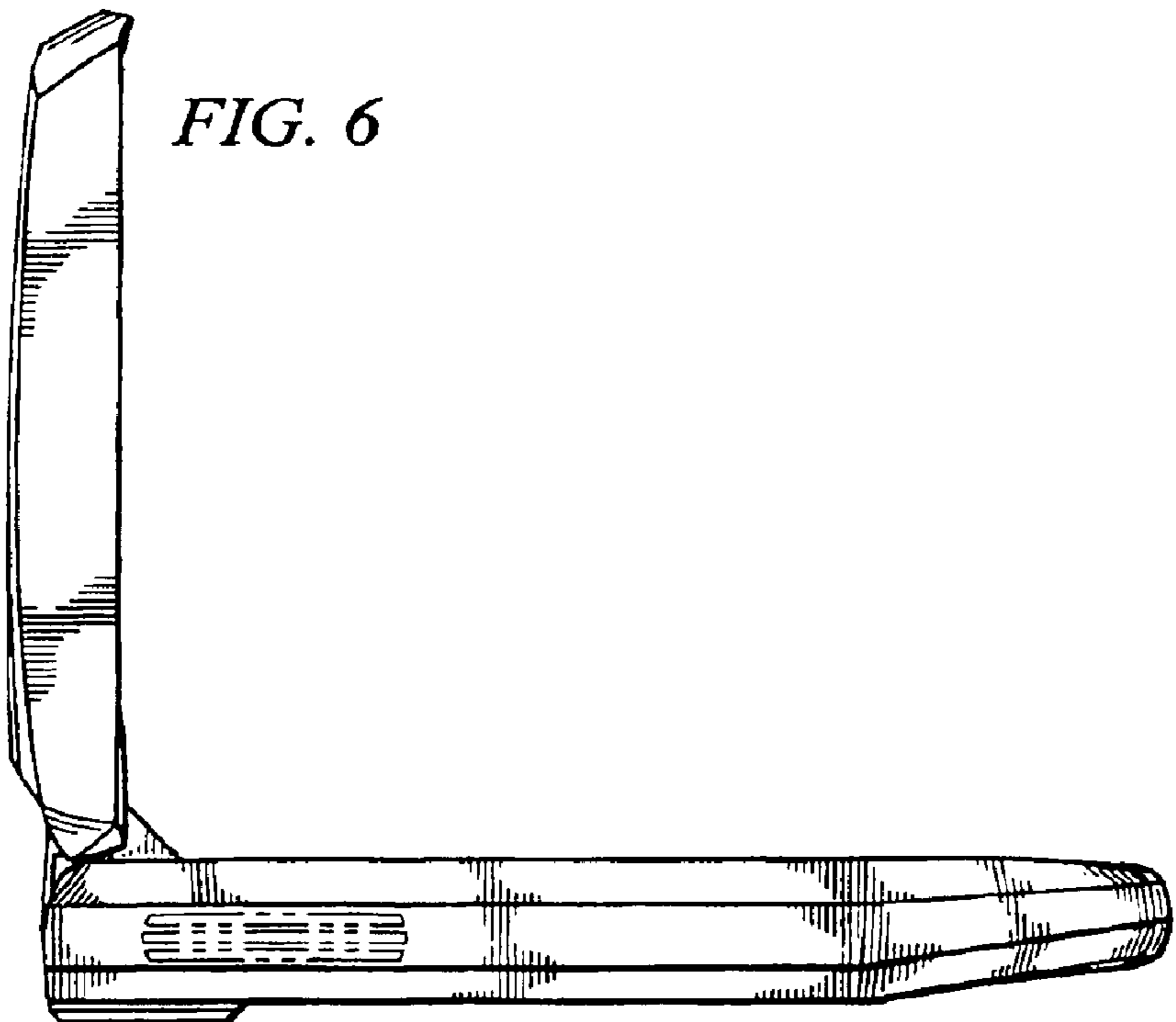
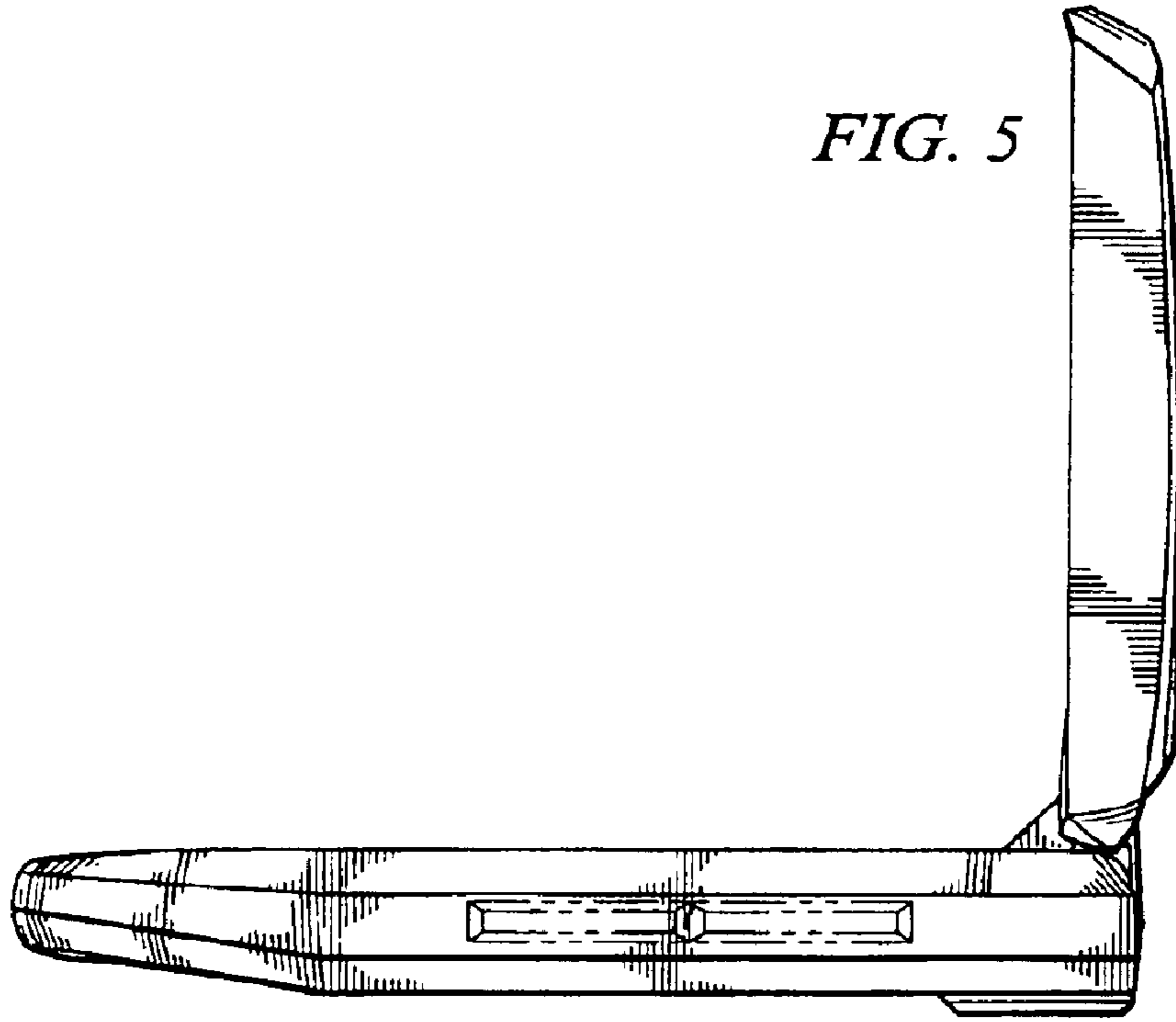


FIG. 7

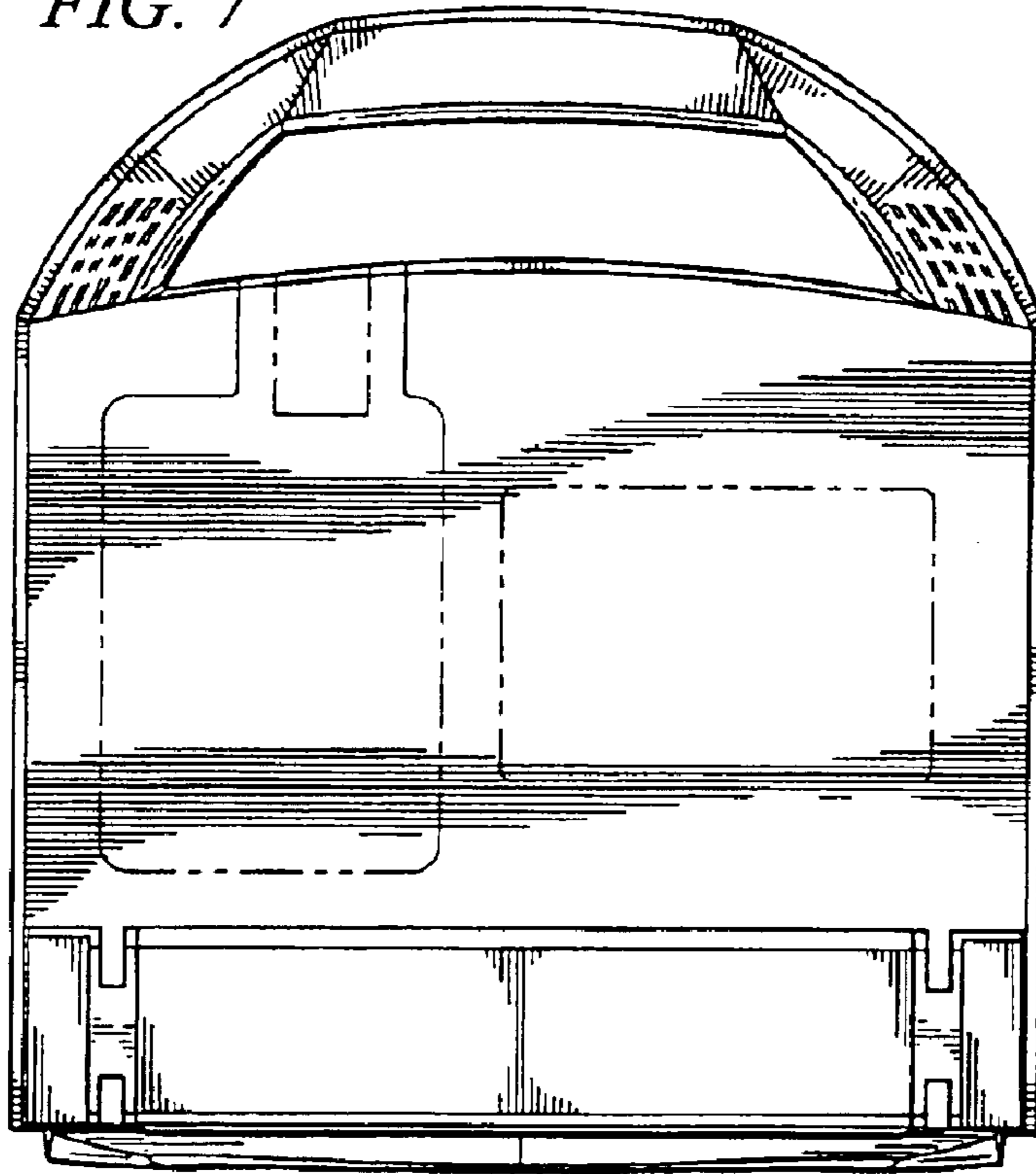


FIG. 8

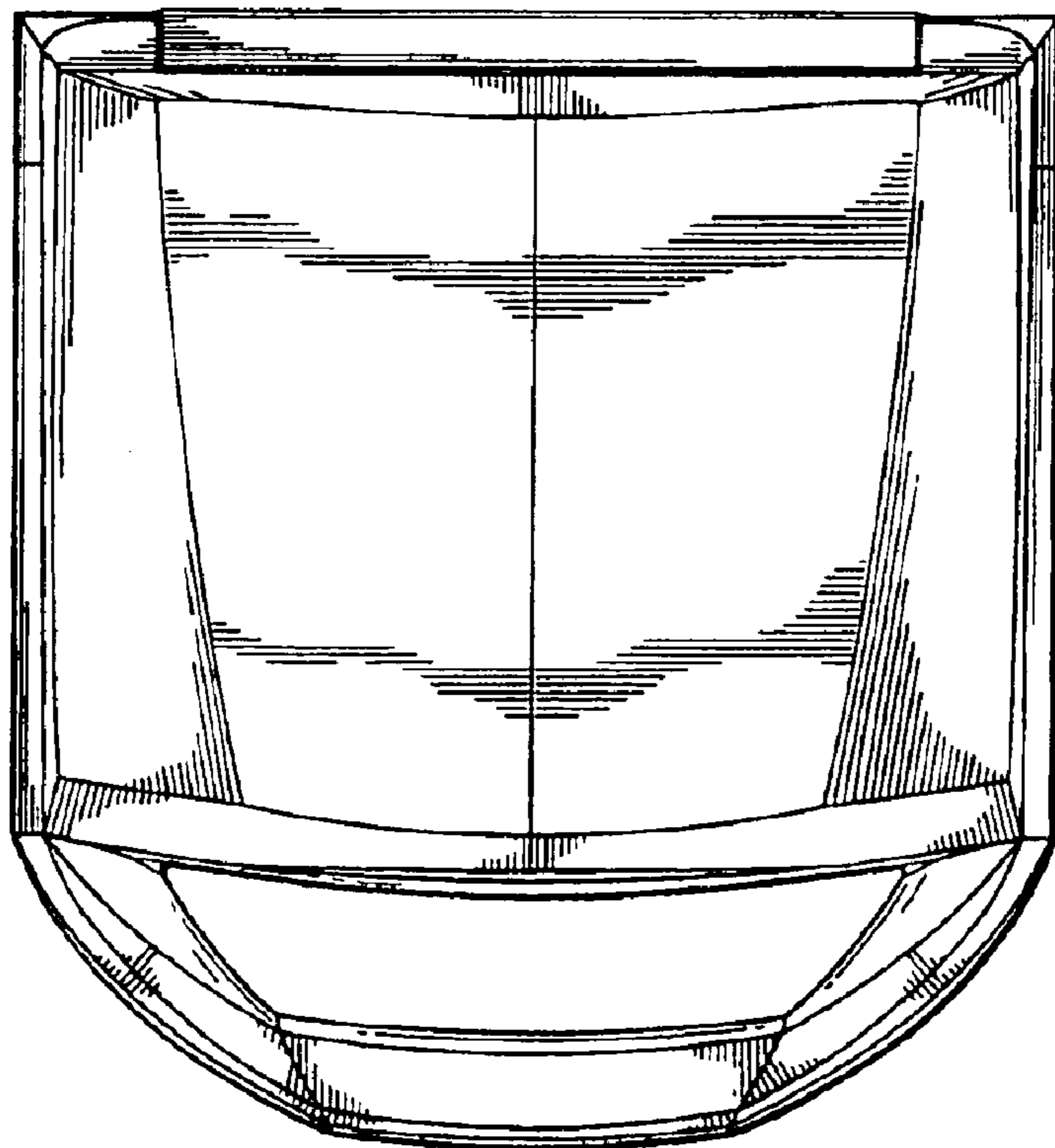


FIG. 9

