



US00D509898S

(12) **United States Design Patent**  
**Bunce et al.**

(10) **Patent No.:** **US D509,898 S**  
(45) **Date of Patent:** **\*\* Sep. 20, 2005**

(54) **INHALER**

(75) Inventors: **Martin Bunce, Wiltshire (GB); Alex Peacop, Wiltshire (GB)**

(73) Assignee: **Clinical Designs Ltd., Emsworth (GB)**

(\*\*) **Term: 14 Years**

(21) Appl. No.: **29/196,657**

(22) Filed: **Jan. 2, 2004**

(30) **Foreign Application Priority Data**

Jul. 5, 2003 (GB) ..... 3013489

(51) **LOC (8) Cl.** ..... **29-02**

(52) **U.S. Cl.** ..... **D24/110**

(58) **Field of Search** ..... D24/110; 128/200.23,  
128/203.15, 203.13, 200.14, 203.12

(56) **References Cited**

**U.S. PATENT DOCUMENTS**

D455,208 S \* 4/2002 Bacon et al. .... D24/110  
D480,474 S \* 10/2003 Bowman et al. .... D24/110

6,718,972 B2 \* 4/2004 O'Leary ..... 128/203.15  
2003/0150448 A1 \* 8/2003 Bacon et al. .... 128/200.23

\* cited by examiner

*Primary Examiner*—Ian Simmons

(74) *Attorney, Agent, or Firm*—Ware, Fressola, Van Der Sluys & Adolphson LLP

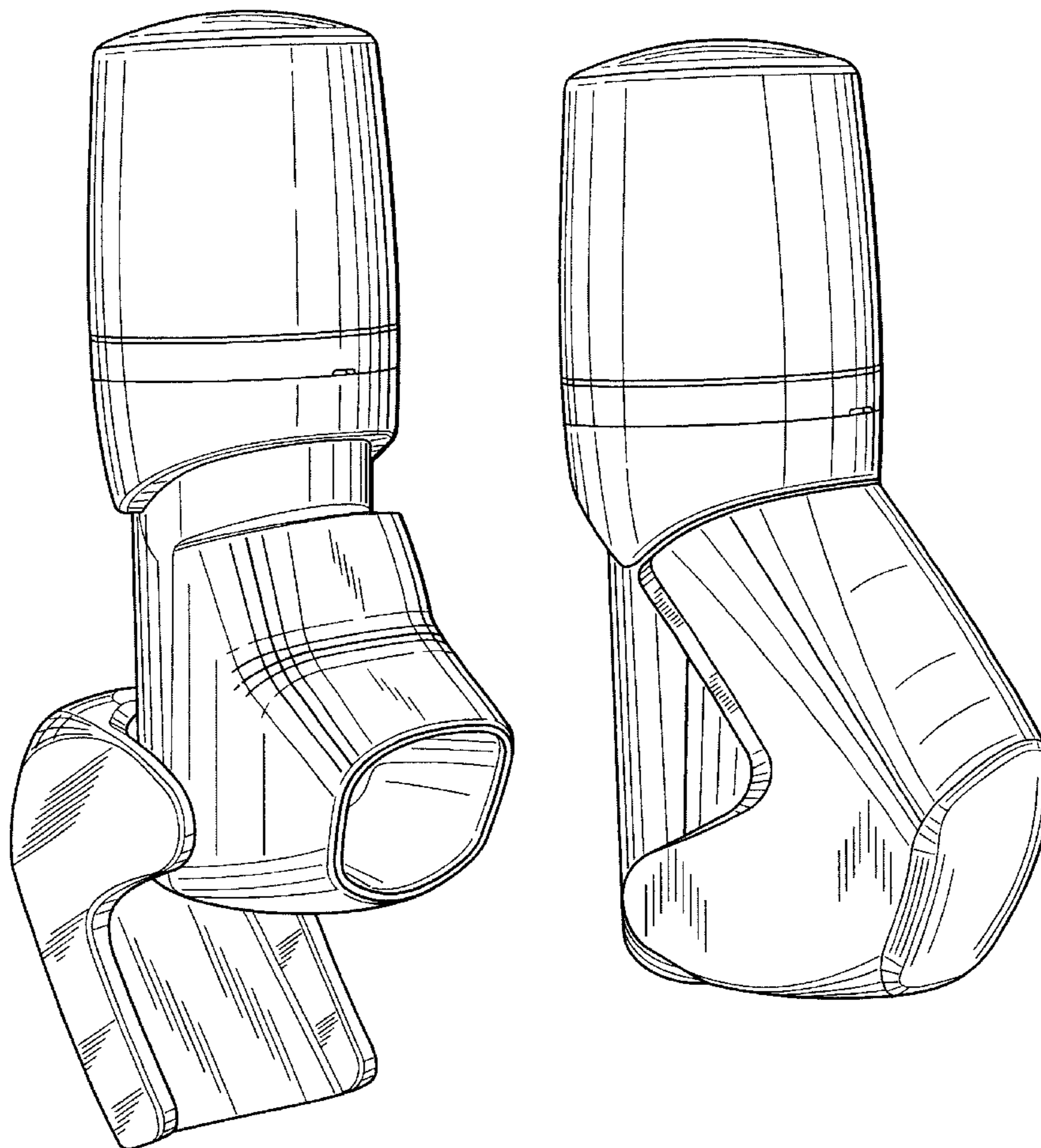
(57) **CLAIM**

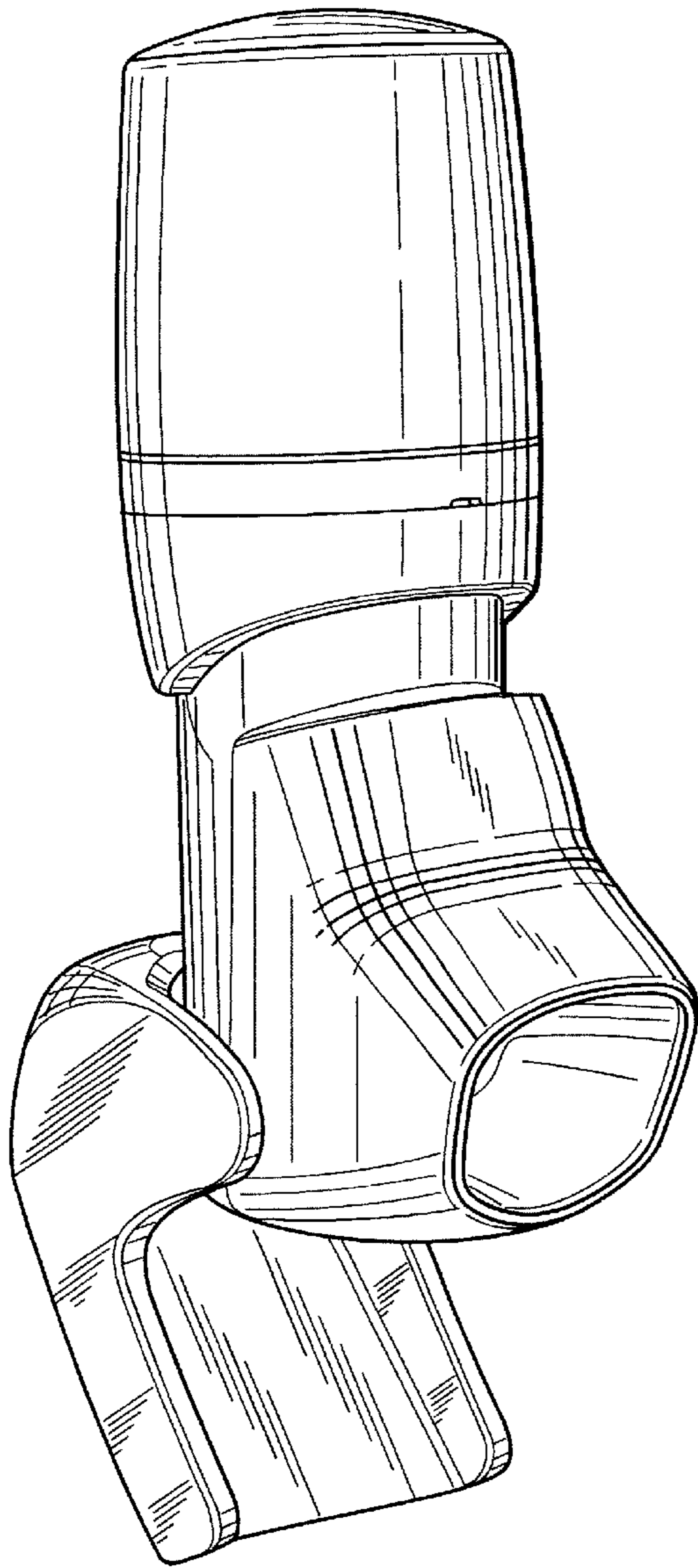
The ornamental design for an inhaler, as shown and described.

**DESCRIPTION**

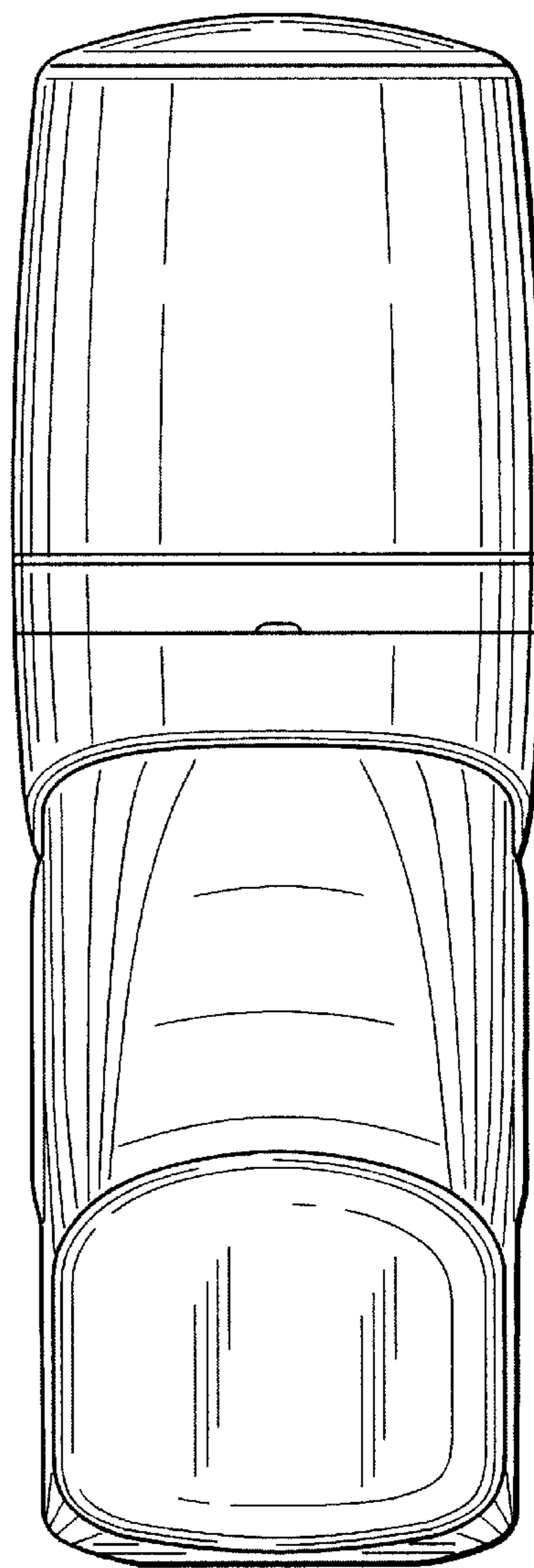
FIG. 1 is an oblique perspective view of an inhaler showing our new design, with the cover shown open position; FIG. 2 is a front elevational view, with the cover shown in closed position; FIG. 3 is a rear elevational view thereof; FIG. 4 is a side view thereof, the opposite side being a mirror image thereof; FIG. 5 is an oblique perspective view thereof; FIG. 6 is a top plan view thereof; and, FIG. 7 is a bottom plan view thereof.

**1 Claim, 3 Drawing Sheets**

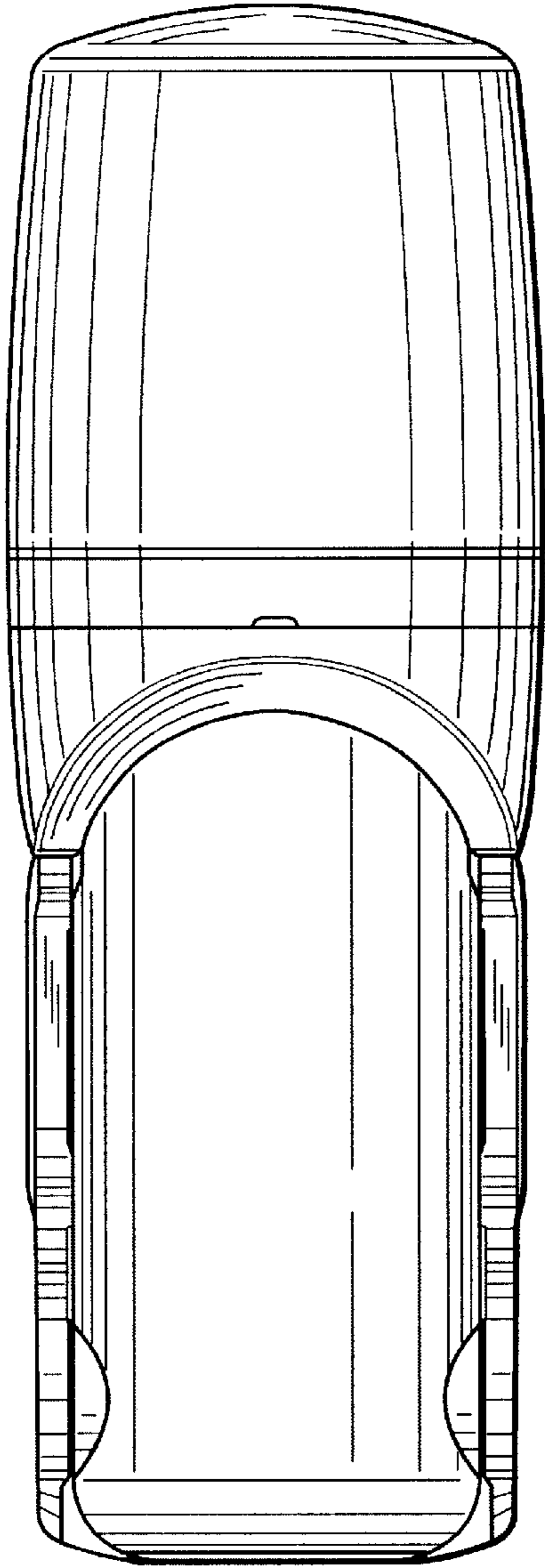




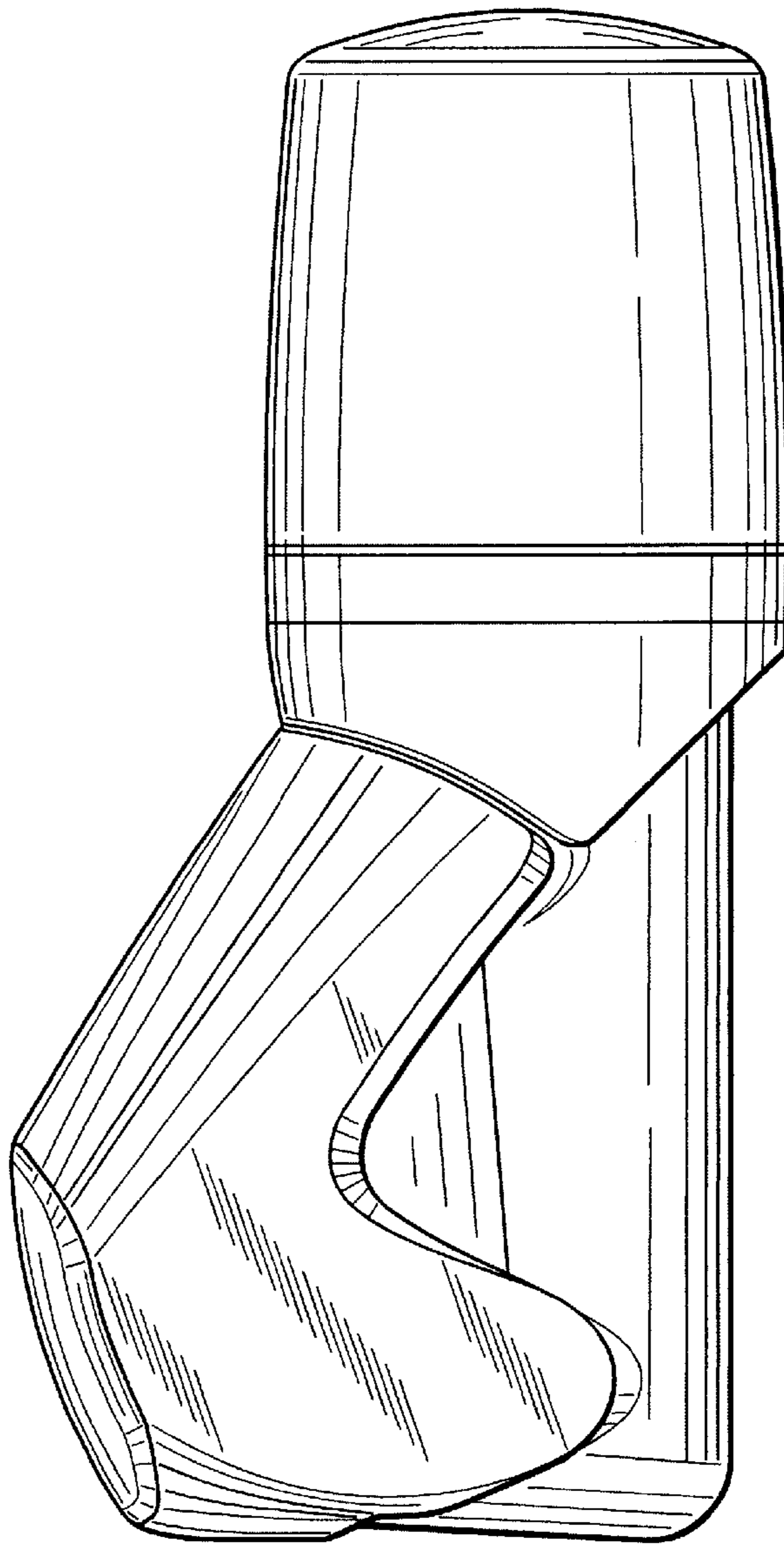
**FIG. 1**



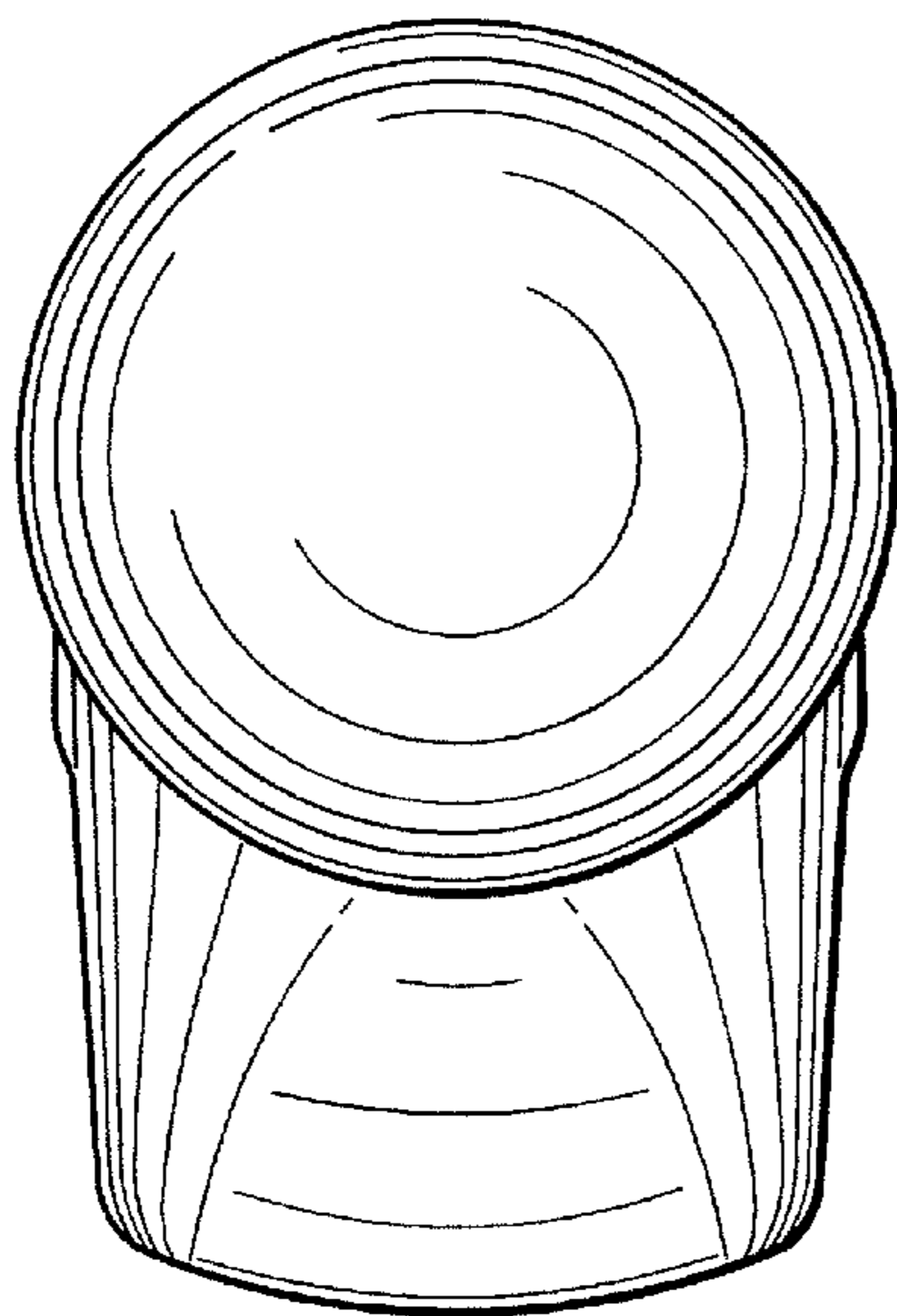
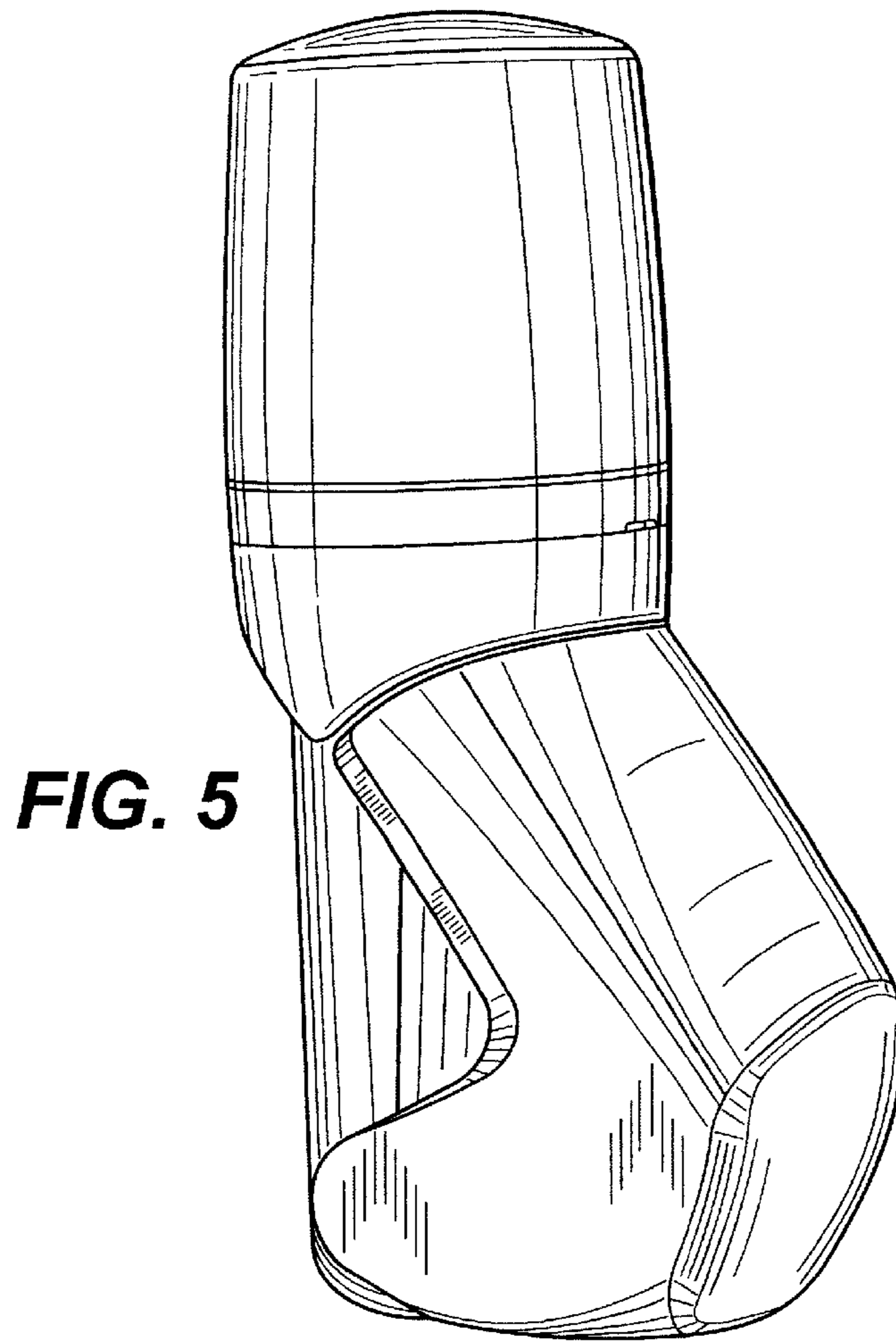
**FIG. 2**



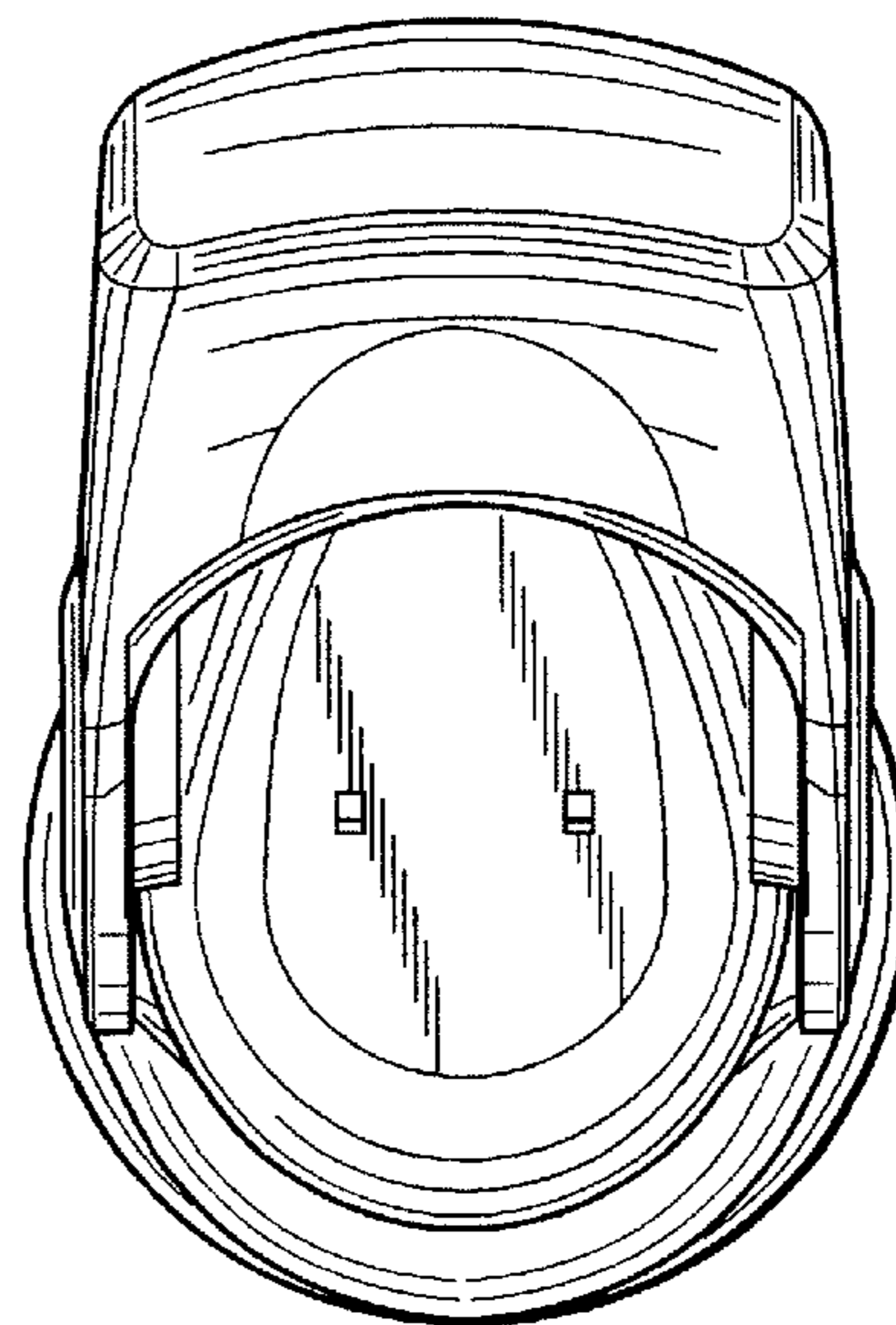
**FIG. 3**



**FIG. 4**



**FIG. 6**



**FIG. 7**