

US00D509896S

(12) **United States Design Patent**  
**Chen et al.**

(10) **Patent No.: US D509,896 S**

(45) **Date of Patent: \*\* Sep. 20, 2005**

(54) **FAN**

D400,665 S \* 11/1998 Horng ..... D23/370  
D487,800 S \* 3/2004 Chen et al. .... D23/370

(75) Inventors: **Te-Fu Chen**, Taoyuan Hsien (TW);  
**Tsung-Yu Lei**, Taoyuan Hsien (TW);  
**Hao-Wen Ko**, Taoyuan Hsien (TW);  
**Hao-Ming Chen**, Taoyuan Hsien (TW)

\* cited by examiner

*Primary Examiner*—Lisa Lichtenstein  
(74) *Attorney, Agent, or Firm*—Birch, Stewart, Kolasch &  
Birch, LLP

(73) Assignee: **Delta Electronics Inc.**, Taoyuan Hsien  
(TW)

(\*\*) Term: **14 Years**

(57) **CLAIM**

The ornamental design for a fan, as shown and described  
herein.

(21) Appl. No.: **29/202,510**

(22) Filed: **Apr. 1, 2004**

**DESCRIPTION**

(51) **LOC (8) Cl.** ..... **23-04**

(52) **U.S. Cl.** ..... **D23/370; D23/379**

(58) **Field of Search** ..... D23/370, 379,  
D23/371, 383, 385, 411; 415/176, 177,  
178, 211.2; 361/697, 695

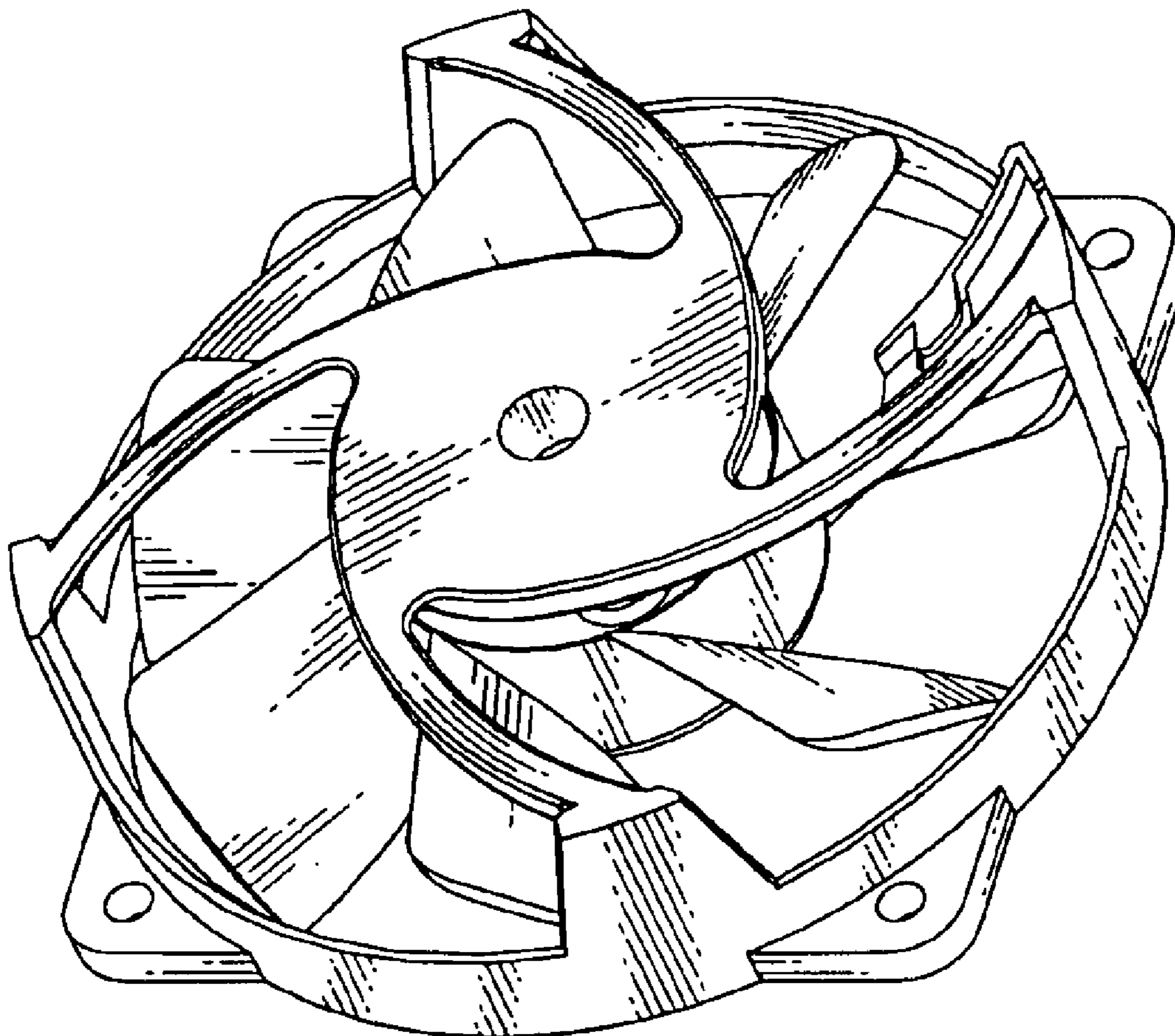
FIG. 1 is a perspective view of a fan;  
FIG. 2 is a right side elevational view thereof;  
FIG. 3 is a top plan view thereof;  
FIG. 4 is a front elevational view thereof;  
FIG. 5 is a bottom plan view thereof;  
FIG. 6 is a left side elevational view thereof; and,  
FIG. 7 is a rear elevational view thereof.

(56) **References Cited**

**U.S. PATENT DOCUMENTS**

D297,761 S \* 9/1988 Shiraki ..... D23/379

**1 Claim, 4 Drawing Sheets**



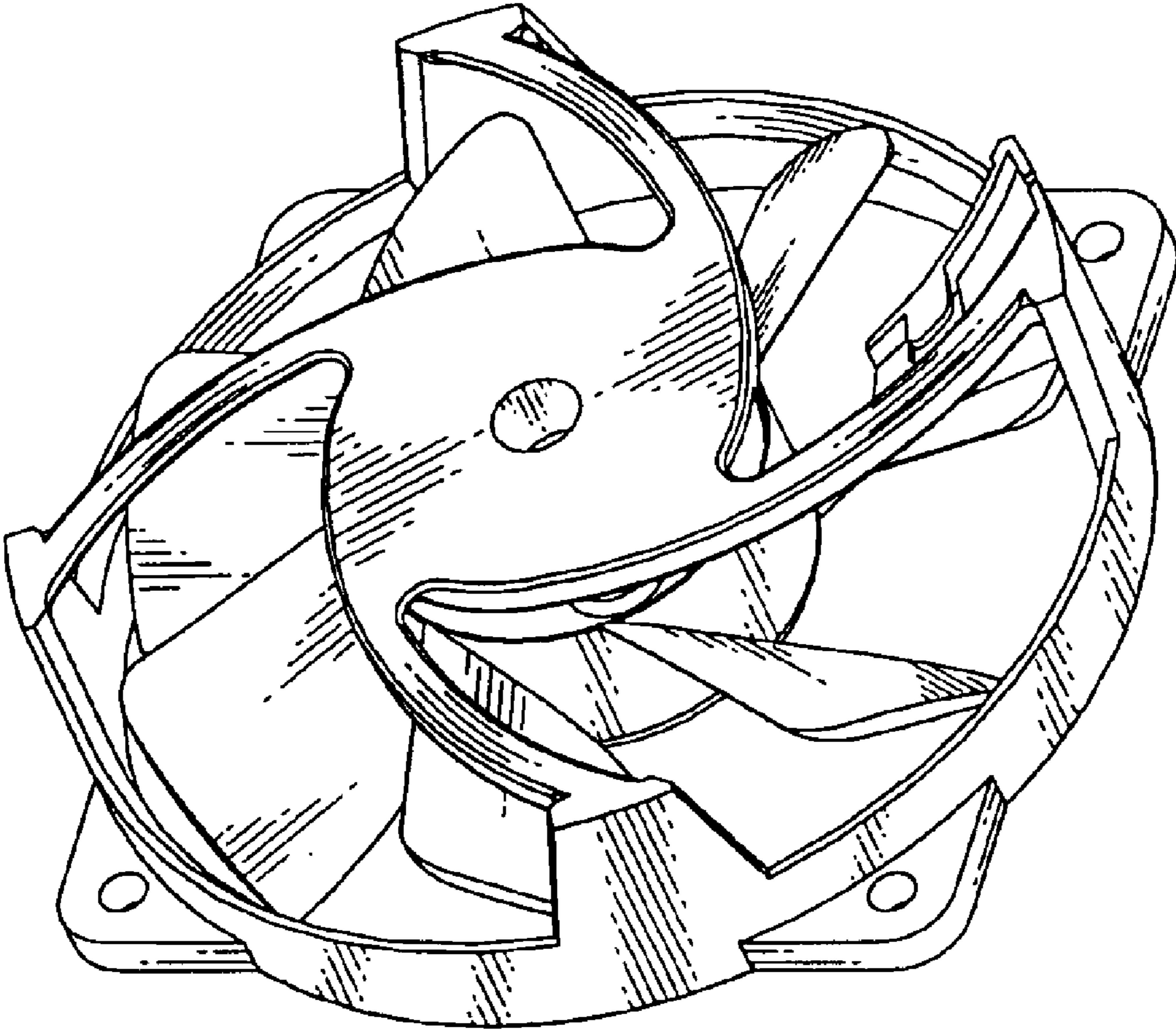


FIG. 1

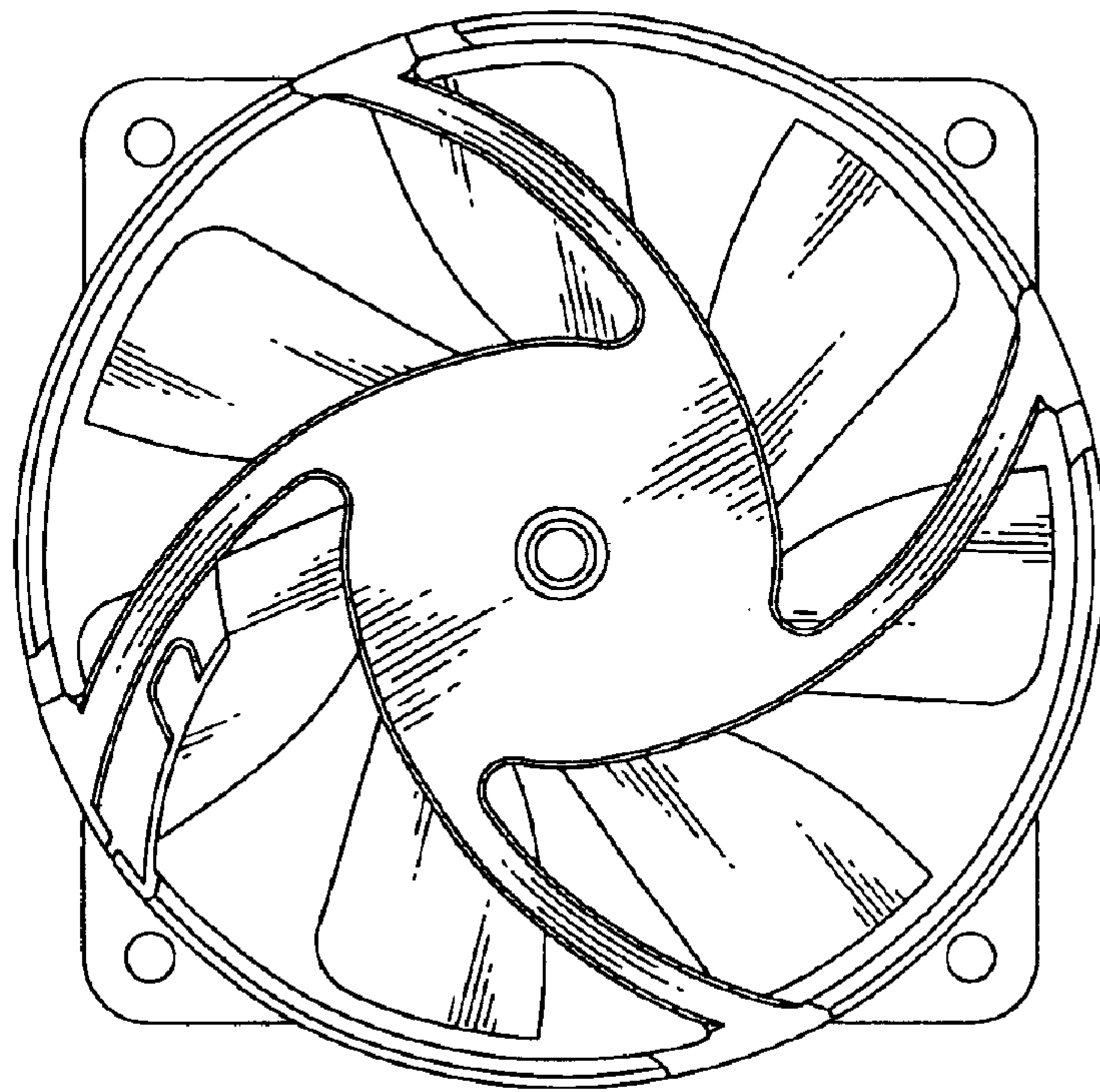


FIG. 2

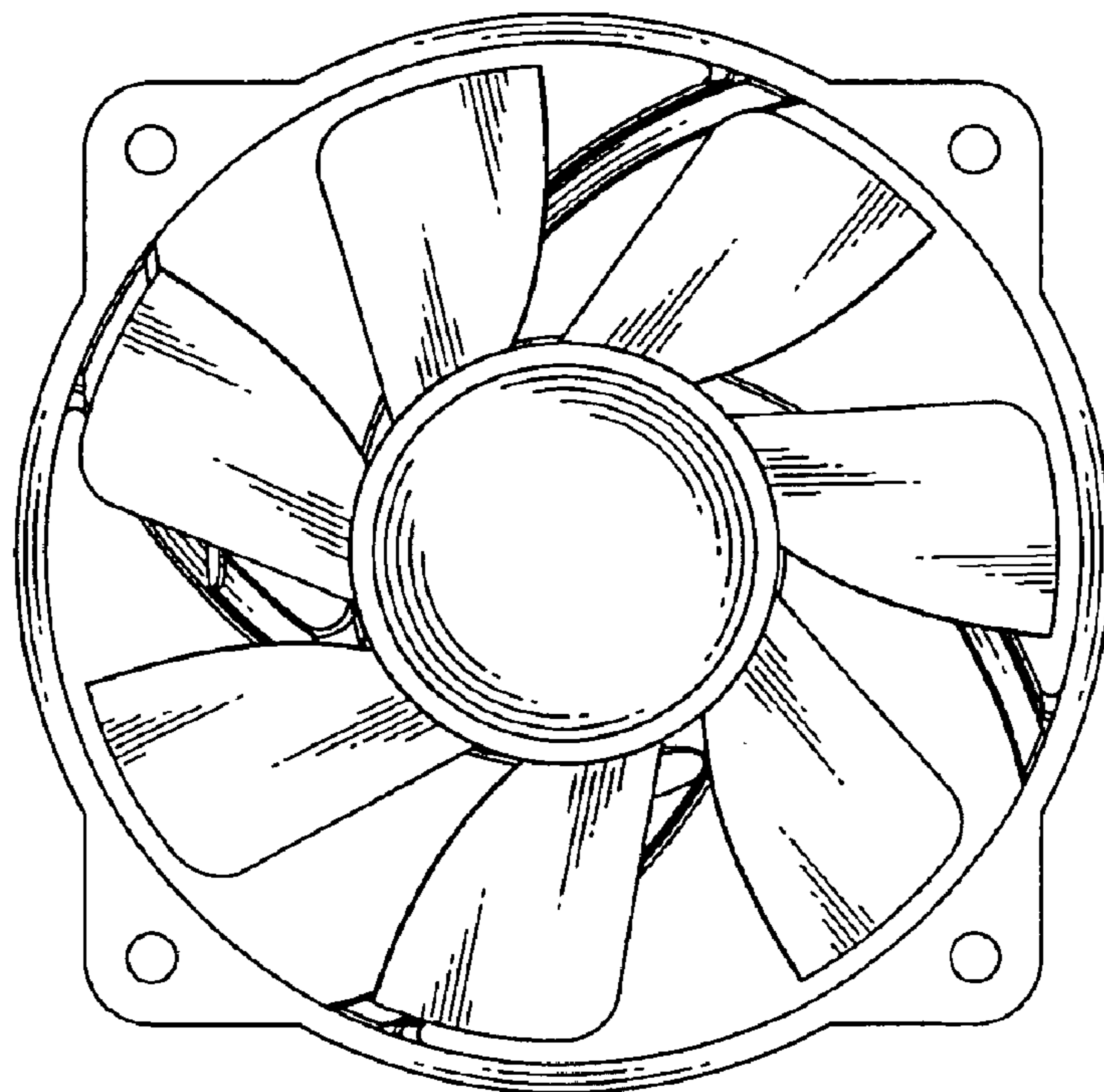


FIG. 3

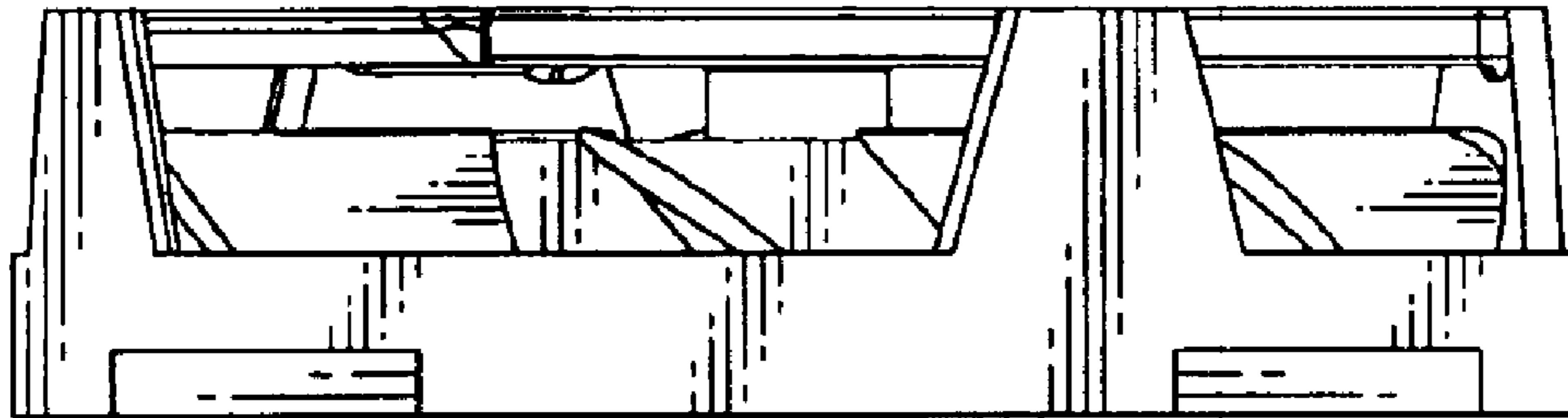


FIG. 4

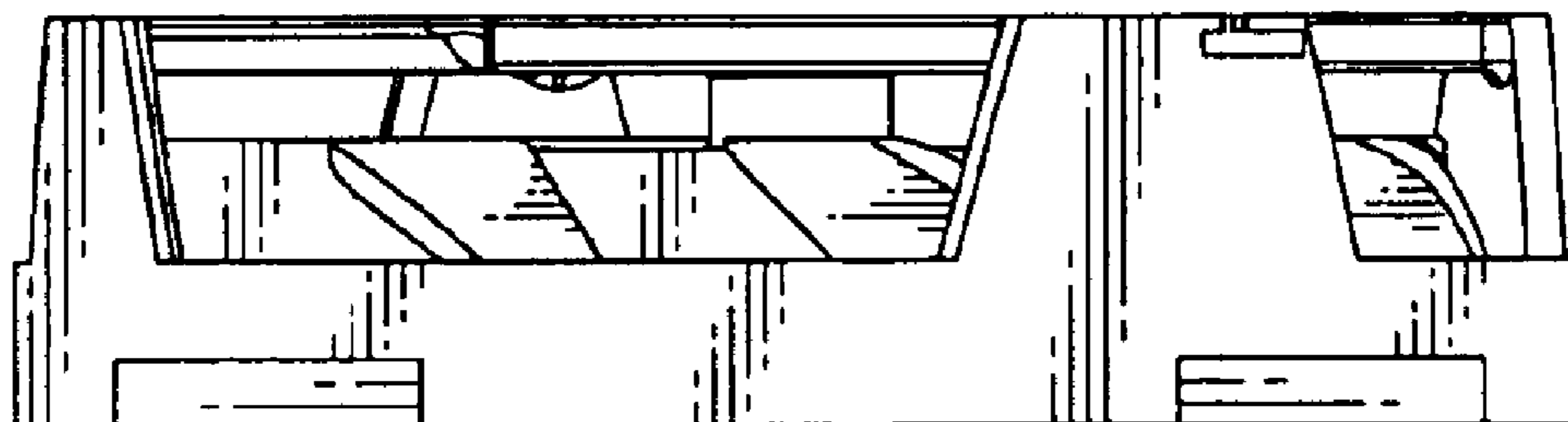


FIG. 5

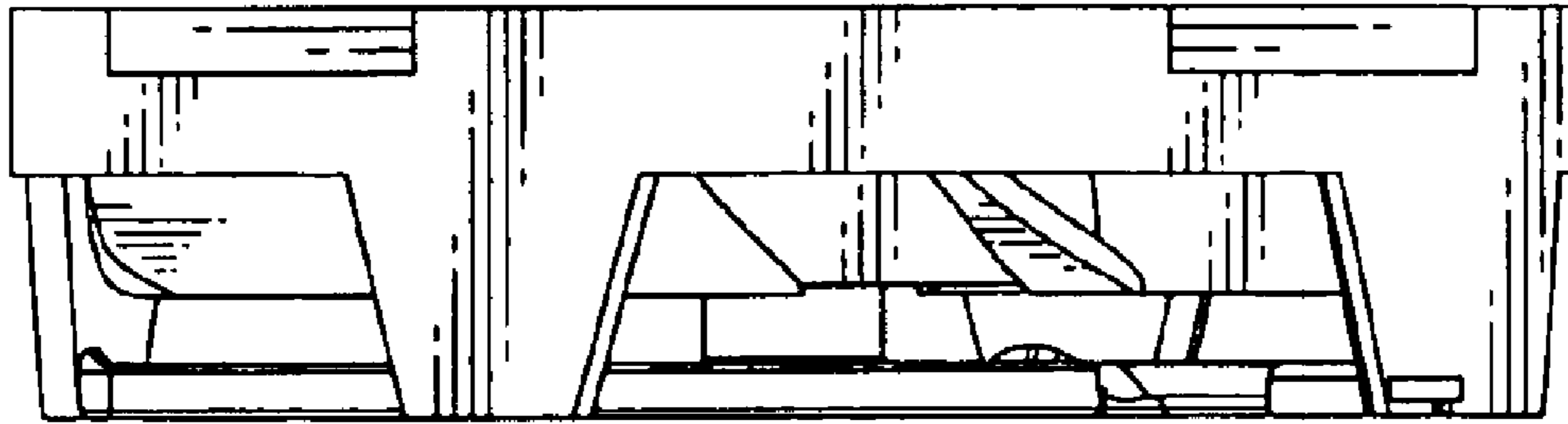


FIG. 6

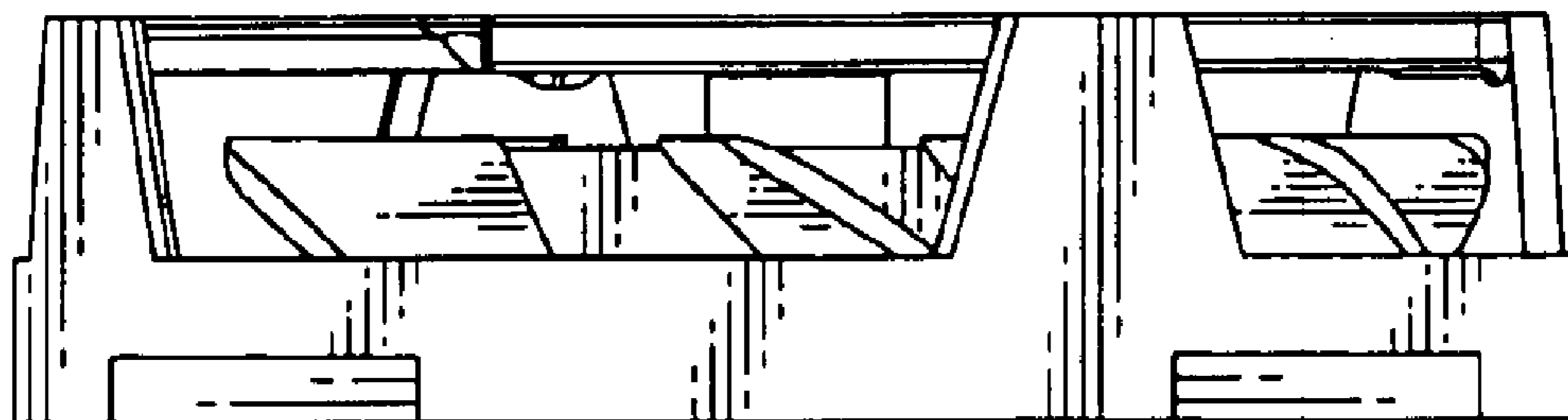


FIG. 7