

US00D509895S

(12) **United States Design Patent**
Chen et al.

(10) **Patent No.:** **US D509,895 S**

(45) **Date of Patent:** **** Sep. 20, 2005**

(54) **FAN**

D400,665 S * 11/1998 Horng D23/370
D487,800 S * 3/2004 Chen et al. D23/370

(75) Inventors: **Te-Fu Chen**, Taoyuan Hsien (TW);
Tsung-Yu Lei, Taoyuan Hsien (TW);
Hao-Wen Ko, Taoyuan Hsien (TW);
Hao-Ming Chen, Taoyuan Hsien (TW)

* cited by examiner

Primary Examiner—Lisa Lichtenstein
(74) *Attorney, Agent, or Firm*—Birch, Stewart, Kolasch &
Birch, LLP

(73) Assignee: **Delta Electronics Inc.**, Taoyuan Hsien
(TW)

(**) Term: **14 Years**

(57) **CLAIM**

The ornamental design for a fan, as shown and described
herein.

(21) Appl. No.: **29/202,509**

(22) Filed: **Apr. 1, 2004**

DESCRIPTION

(51) **LOC (8) Cl.** **23-04**

(52) **U.S. Cl.** **D23/370; D23/379**

(58) **Field of Search** D23/370, 379,
D23/411, 413; 415/176, 177, 178, 211.2;
361/697, 695

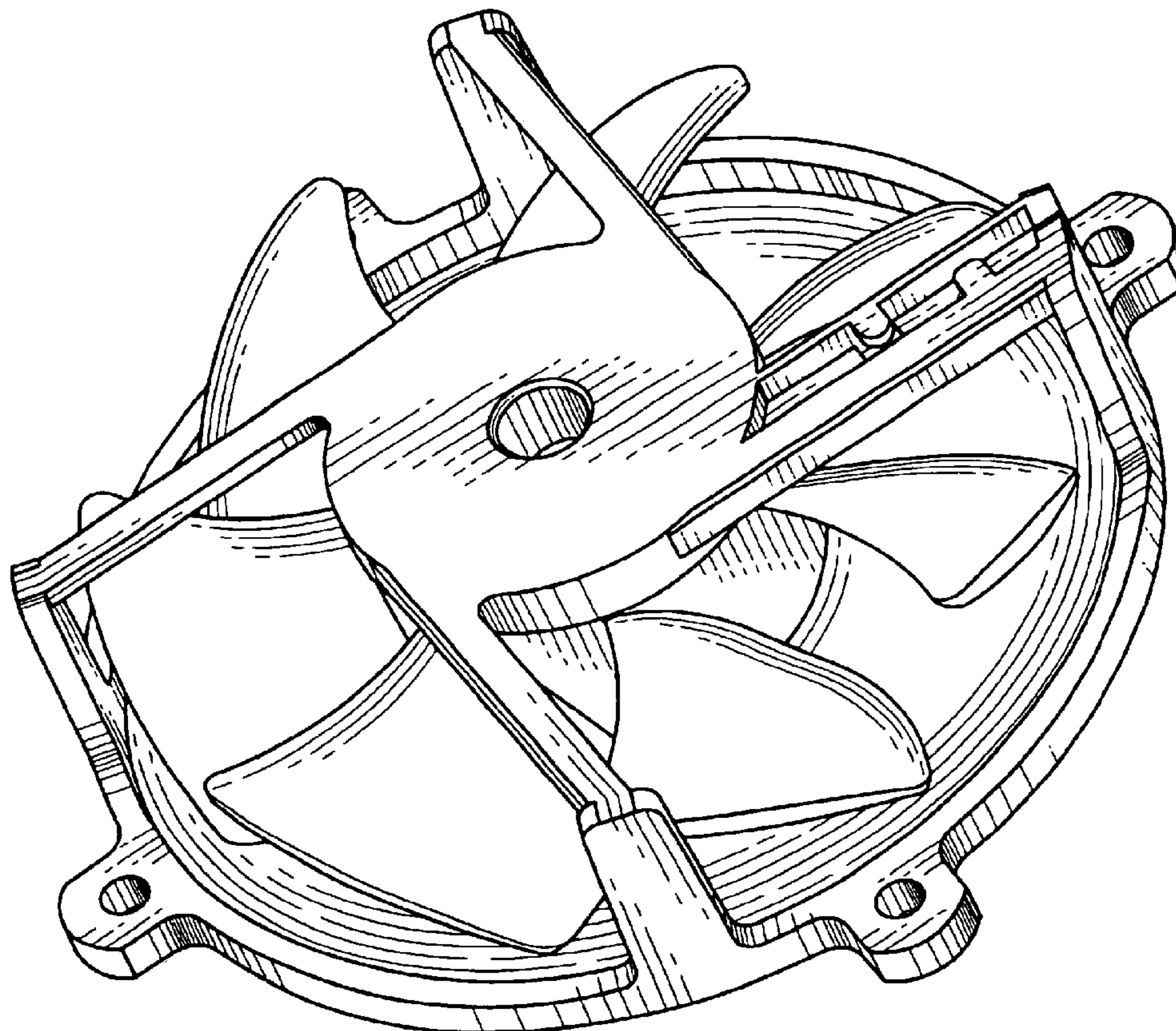
FIG. 1 is a perspective view of a fan;
FIG. 2 is a right side elevational view thereof;
FIG. 3 is a top plan view thereof;
FIG. 4 is a front elevational view thereof;
FIG. 5 is a bottom plan view thereof;
FIG. 6 is a left side elevational view thereof; and,
FIG. 7 is a rear elevational view thereof.

(56) **References Cited**

U.S. PATENT DOCUMENTS

D297,761 S * 9/1988 Shiraki D23/379

1 Claim, 7 Drawing Sheets



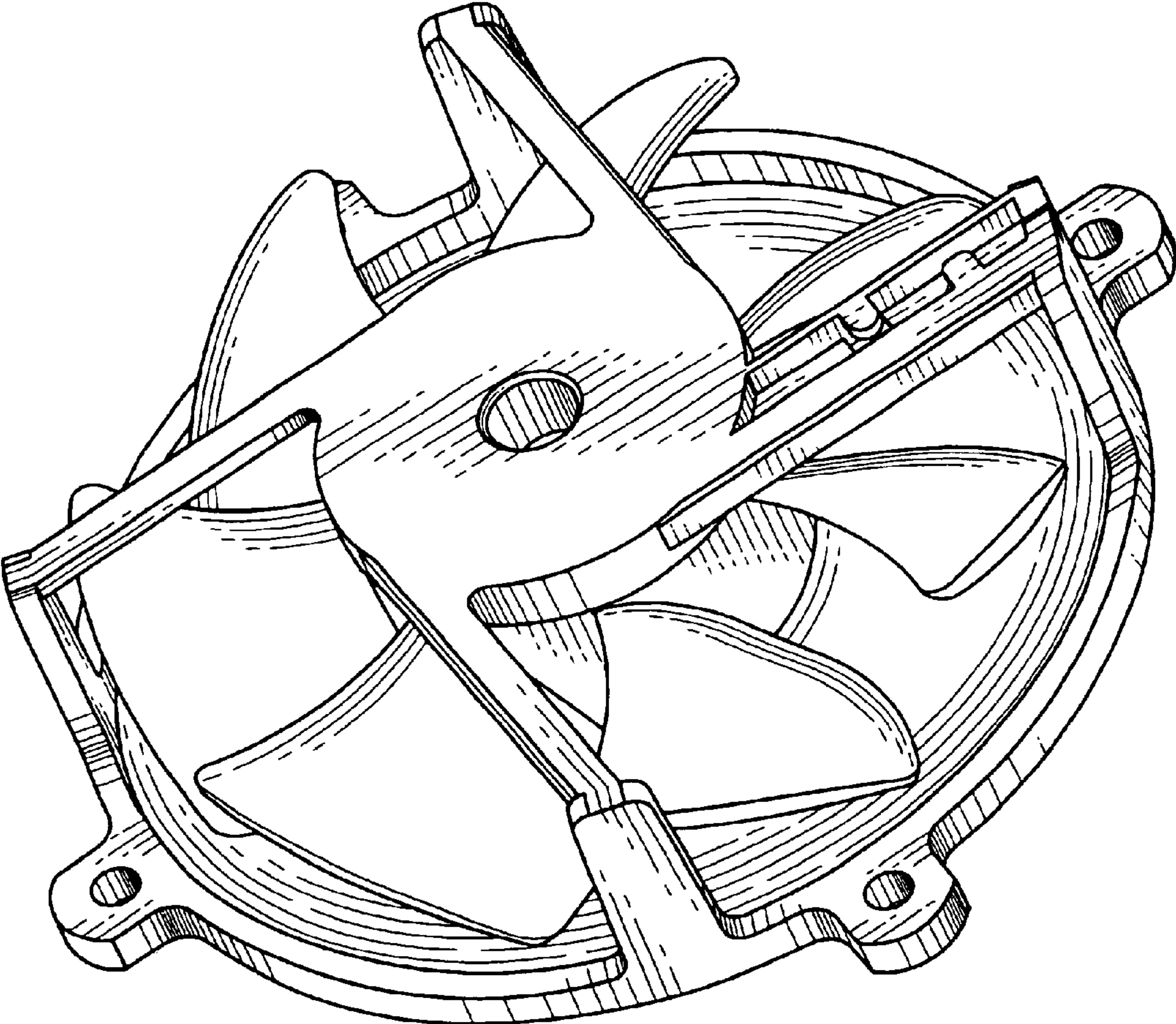


FIG. 1

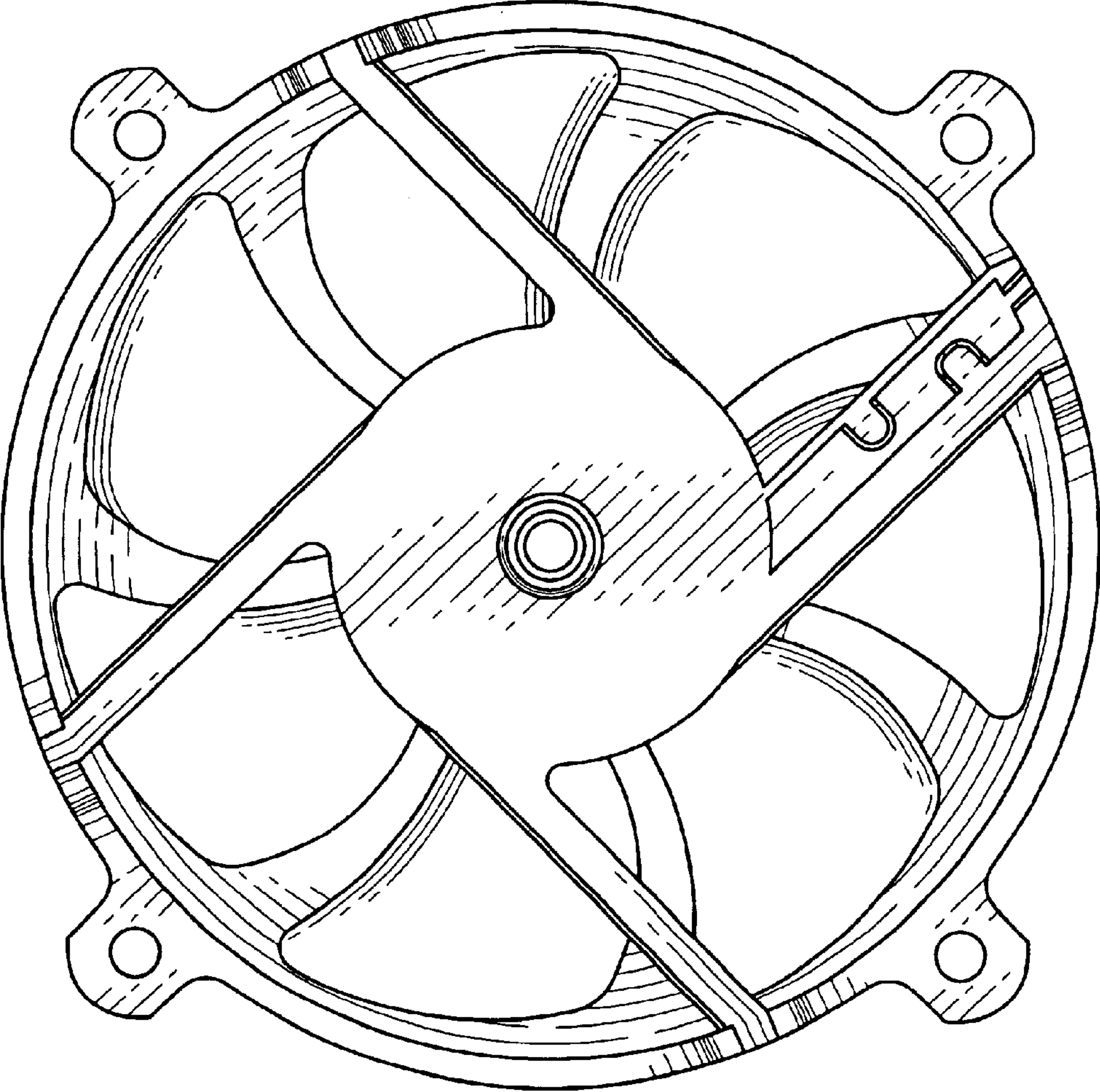


FIG. 2

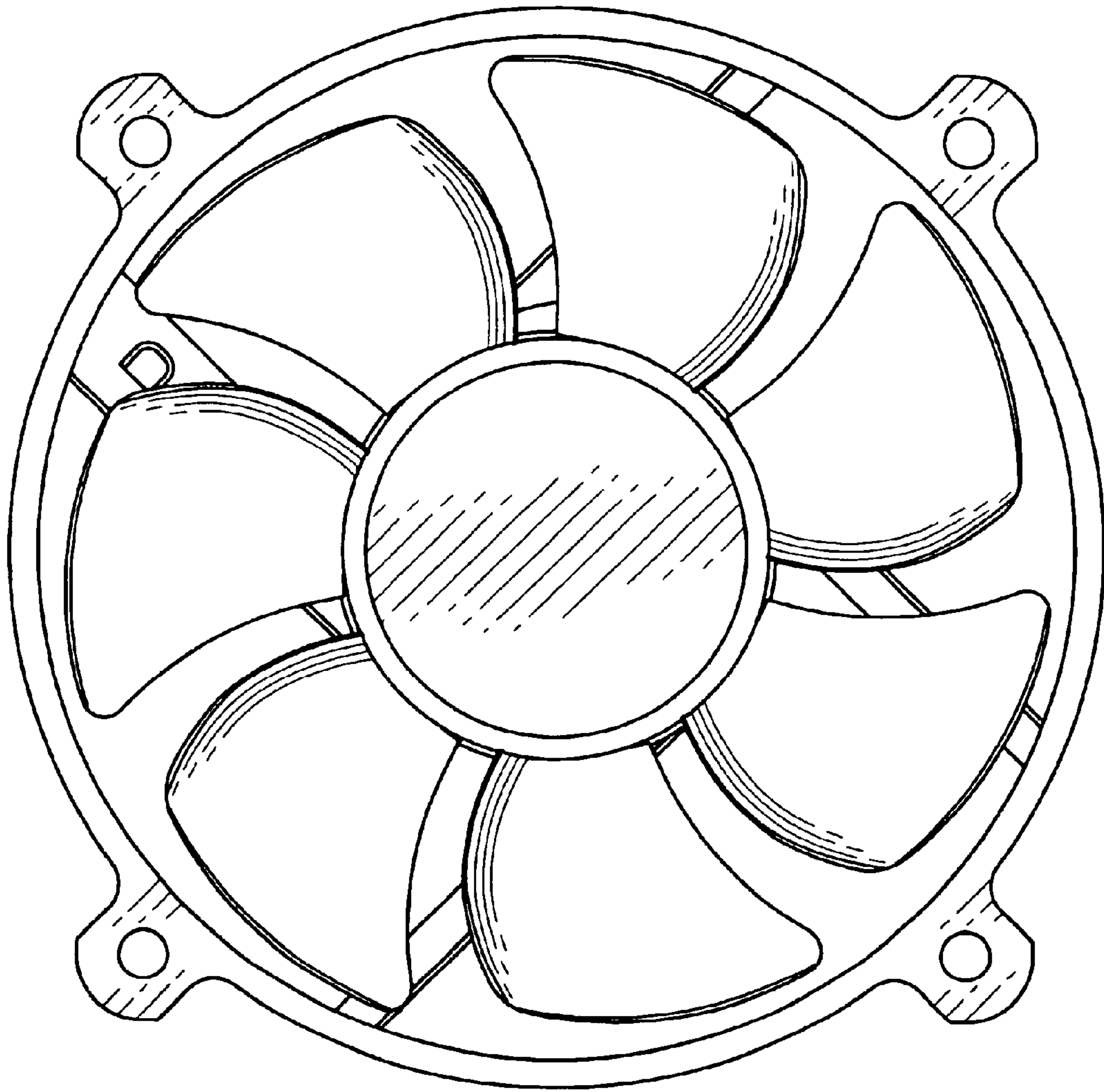


FIG. 3

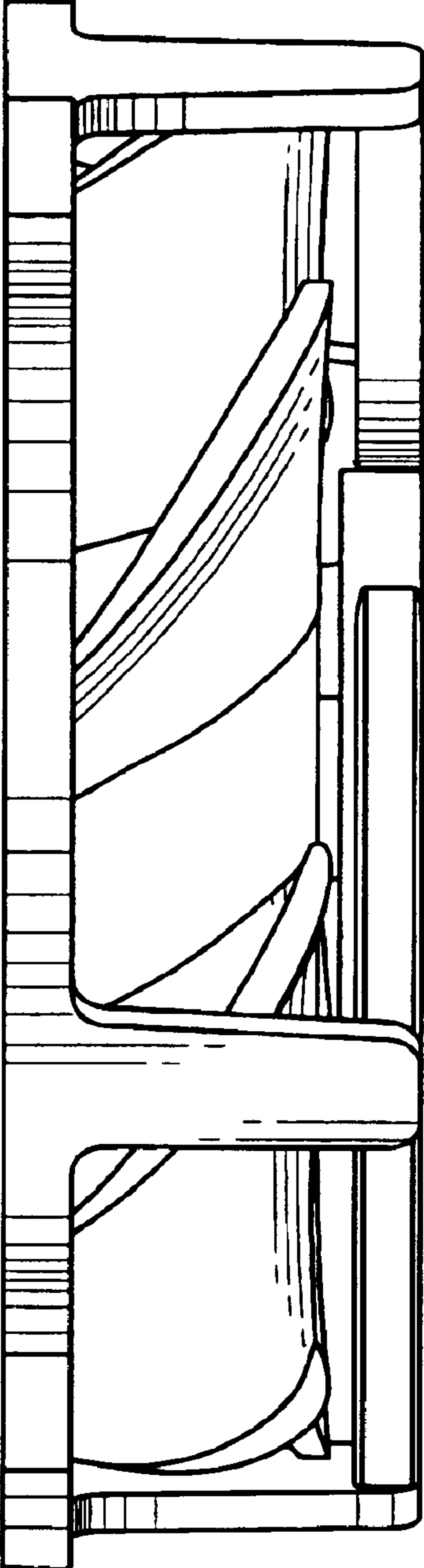


FIG. 4

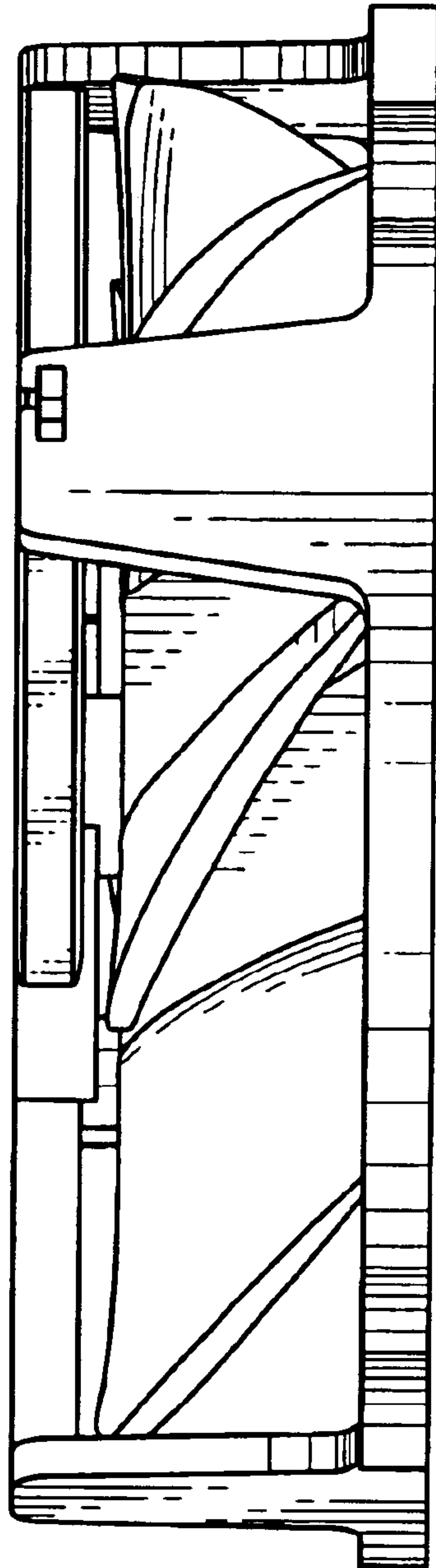


FIG. 5

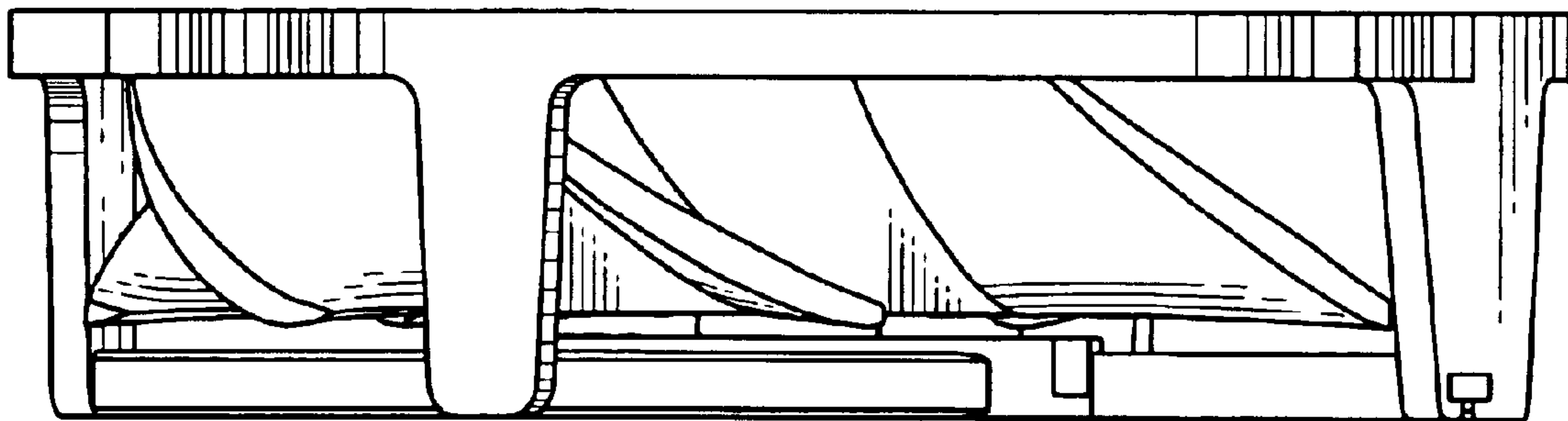


FIG. 6

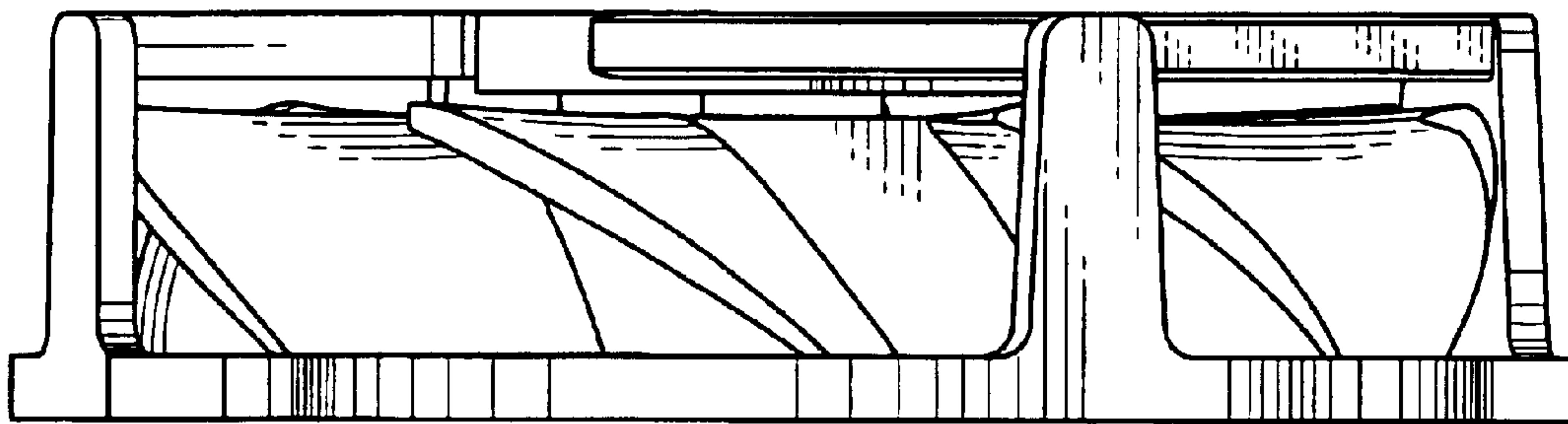


FIG. 7