

US00D509890S

(12) **United States Design Patent** (10) **Patent No.:** **US D509,890 S**
Stavale et al. (45) **Date of Patent:** **** Sep. 20, 2005**

(54) **DEODORIZING AND AIR FRESHENING DEVICE**

(75) Inventors: **Mario Letterino Tadeu Stavale**, MN
Design Projectos de Embalagens e
Comunicacao Visual Ltda. Rua
Amazonas 1133 SL. 05. Sao Caetano
Do Sul, 09540-200 Sao Paulo (BR);
Satoshi Arai Nilson, Sao Paulo (BR)

(73) Assignees: **Mario Letterino Tadeu Stavale**, Sao
Paulo (BR); **Nilson Satoshi Arai**, Sao
Paulo (BR)

(**) Term: **14 Years**

(21) Appl. No.: **29/195,011**

(22) Filed: **Dec. 4, 2003**

(30) **Foreign Application Priority Data**

Jun. 5, 2003 (BR) DI 6301668

(51) **LOC (8) Cl.** **23-04**

(52) **U.S. Cl.** **D23/366**

(58) **Field of Search** 239/135, 136,
239/58; 261/DIG. 17, DIG. 65; D23/356-369;
392/390, 392; D21/392

(56) **References Cited**

U.S. PATENT DOCUMENTS

1,731,431	A	*	10/1929	Meyer	4/222.1
1,880,962	A	*	10/1932	Koppelman	4/309
1,916,357	A	*	7/1933	Brownstein	4/222.1
D133,197	S	*	7/1942	Luaces	D23/366
D159,407	S	*	7/1950	Costello	D23/366
3,235,325	A	*	2/1966	Storchheim	96/224
D281,010	S	*	10/1985	Joyaux	D23/369
D319,583	S	*	9/1991	Halm et al.	D9/519
D420,440	S	*	2/2000	El-Assir	D23/367
D432,224	S	*	10/2000	Hautmann et al.	D23/366

* cited by examiner

Primary Examiner—Antoine Duval Davis
Assistant Examiner—Sandra Snapp
(74) *Attorney, Agent, or Firm*—Norris McLaughlin &
Marcus, PA

(57) **CLAIM**

The ornamental design for a deodorizing and air freshening device, as shown and described.

DESCRIPTION

FIG. 1 is a perspective view from the top of a complete deodorising and air freshening device.

FIG. 2 is a perspective view from the bottom of the complete device thereof.

FIG. 3 is a perspective view of the complete device thereof.

FIG. 4 is a plan view of the top of the complete device thereof.

FIG. 5 is a plan view of the bottom of the complete device thereof.

FIG. 6 is a plan view of a side of the complete device thereof.

FIG. 7 is a plan view of the front of the complete device thereof.

FIG. 8 is a plan view of a side of a top portion of the device thereof.

FIG. 9 is a plan view of the front of a top portion of the device thereof.

FIG. 10 is a sectional view of the top portion of the device taken along line 10—10 in FIG. 9.

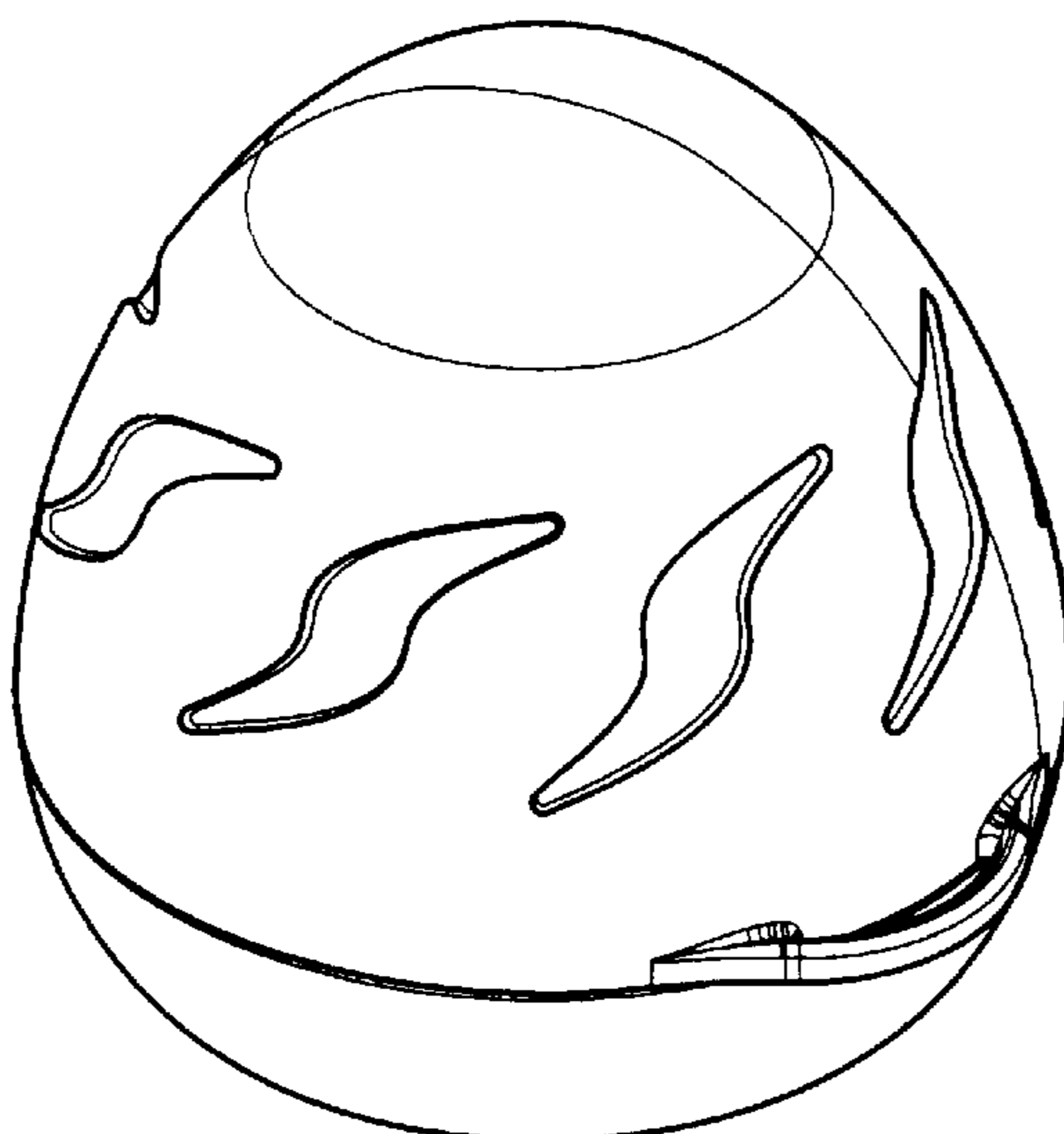
FIG. 11 is a plan view of the bottom of the top portion of the device thereof.

FIG. 12 is a plan view of the top of the top portion of the device thereof.

FIG. 13 is a perspective view of the top portion of the device thereof; and,

FIG. 14 is a perspective view of the bottom looking inward at the top portion of the device thereof.

1 Claim, 6 Drawing Sheets



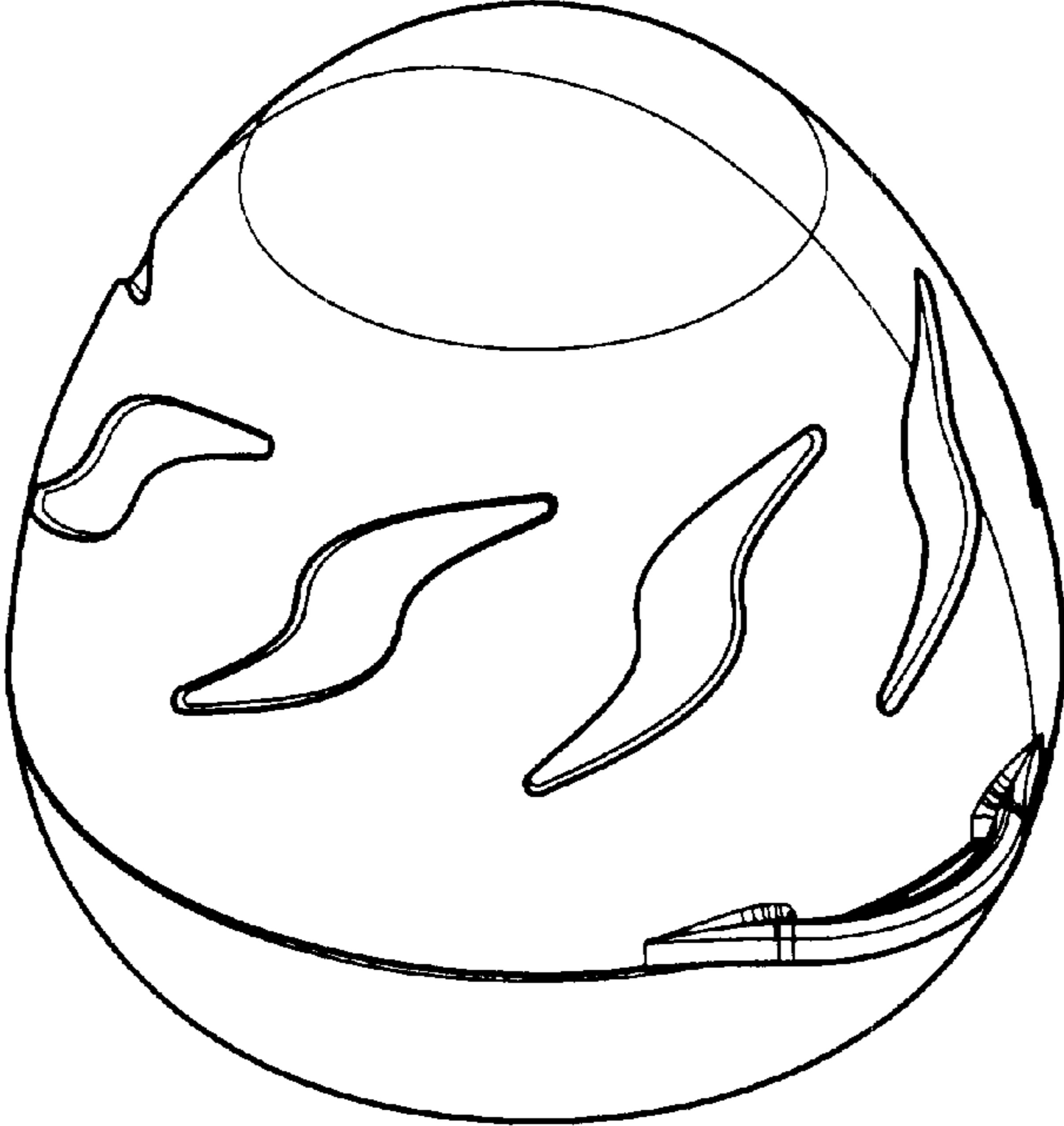


Fig.1.

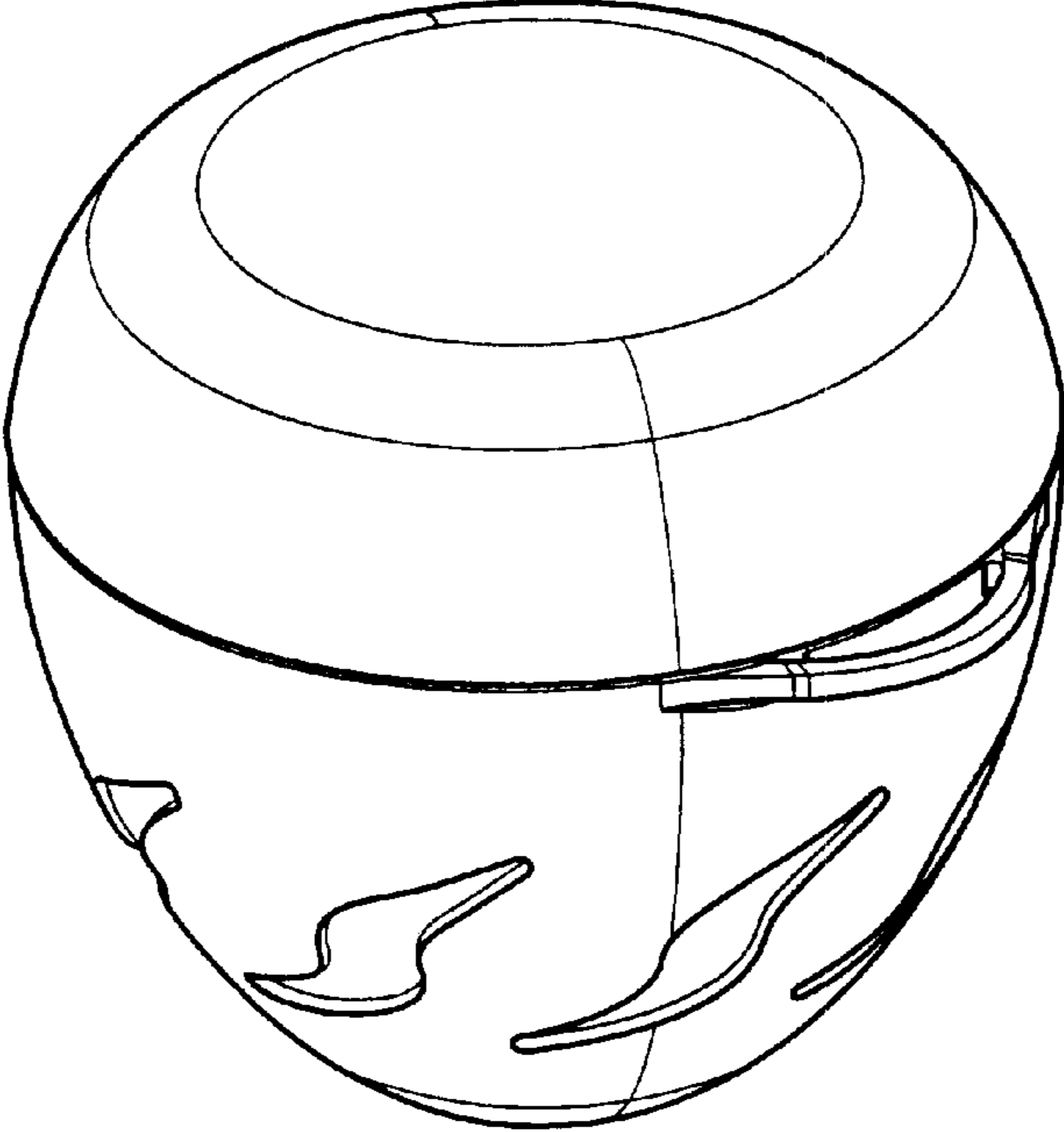


Fig.2.

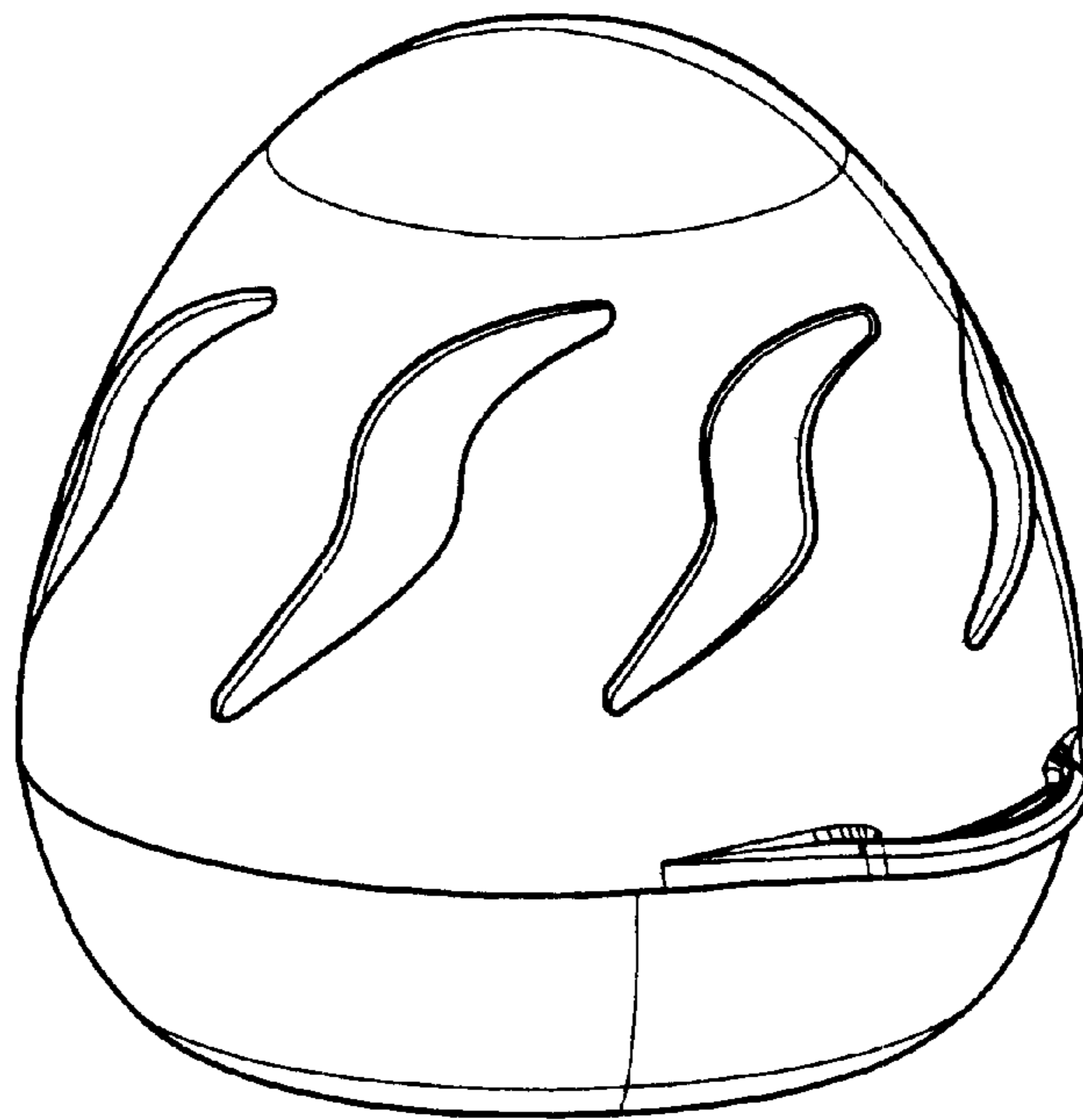


Fig.3.

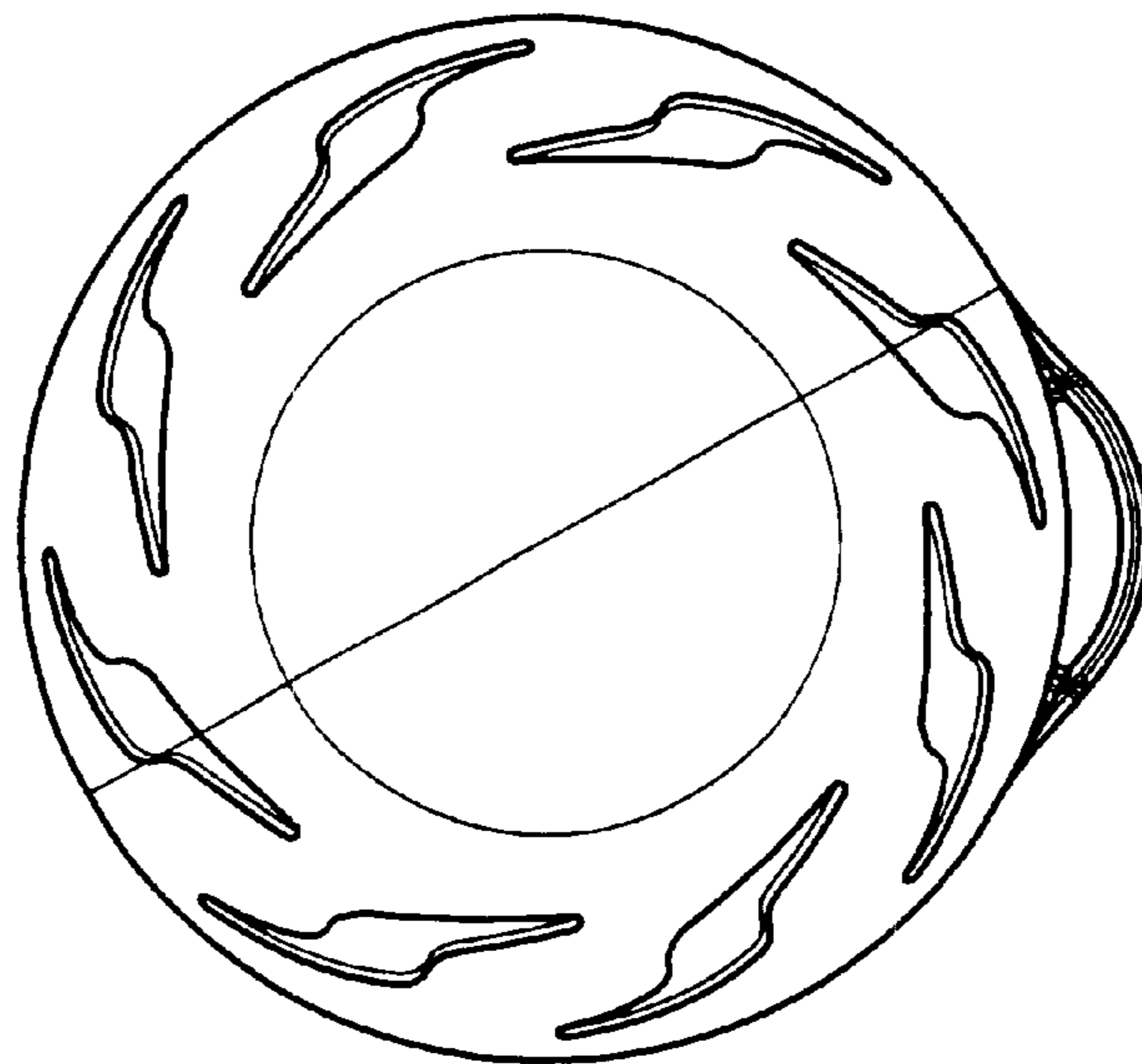


Fig.4.

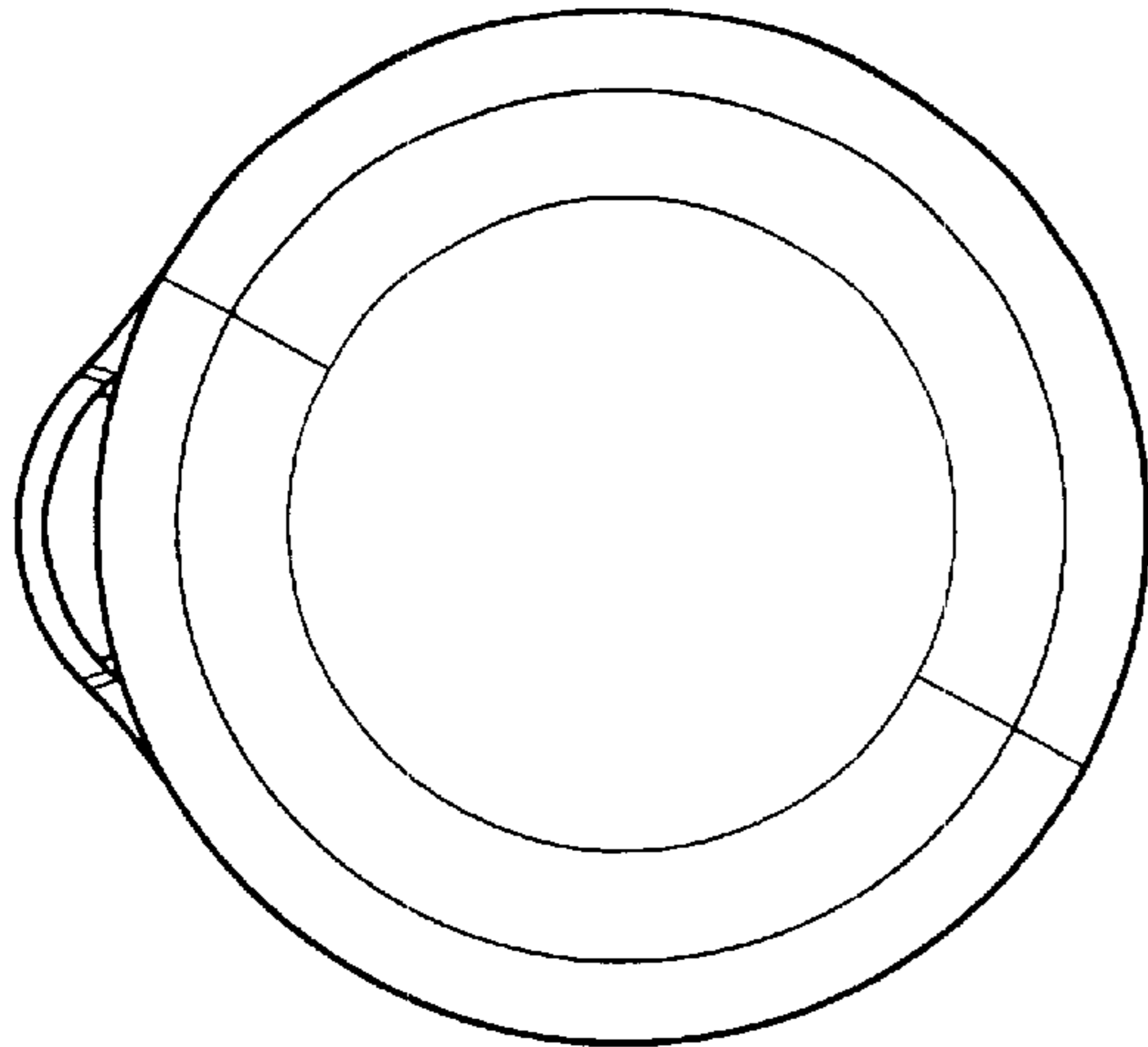


Fig.5.

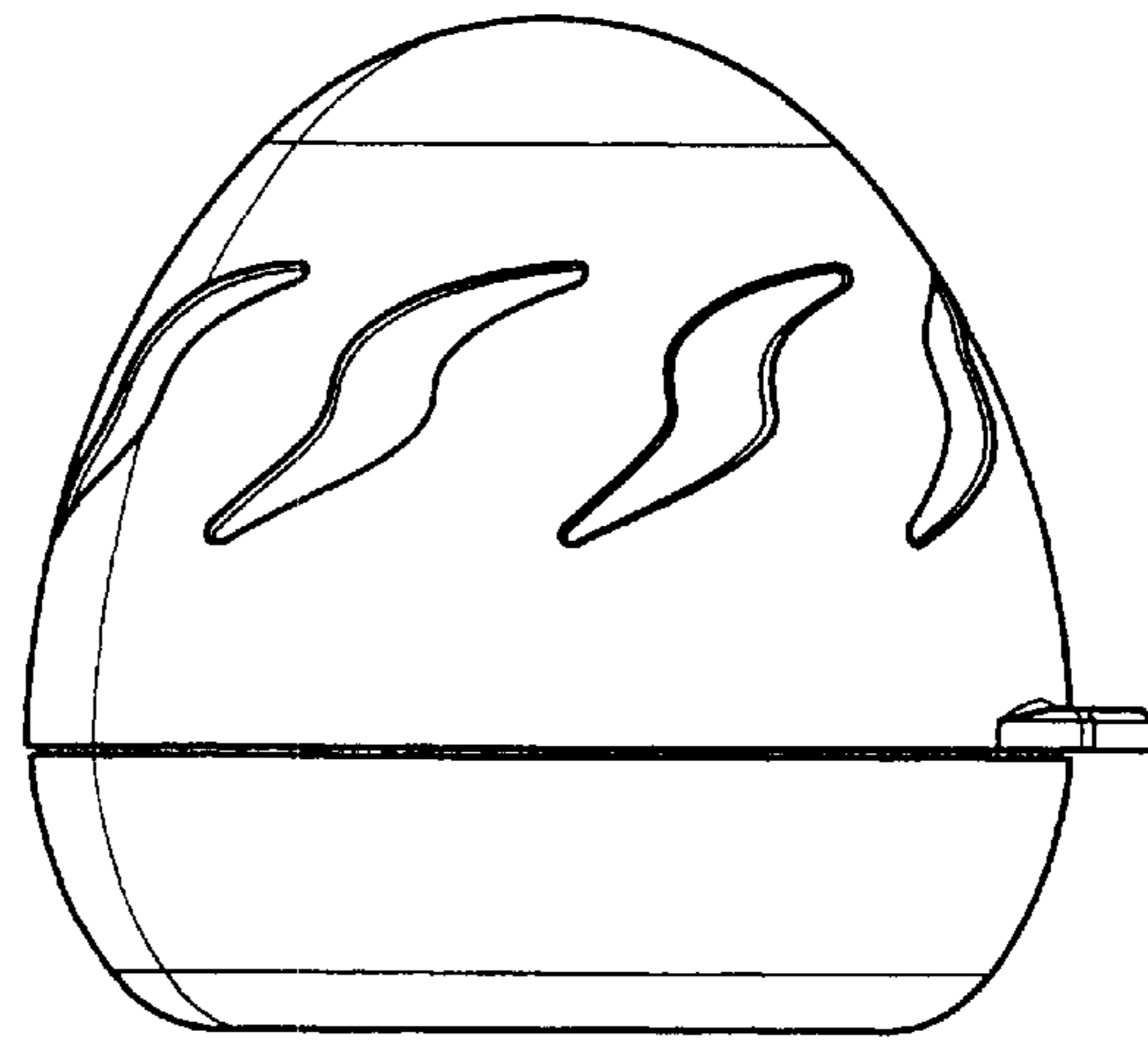


Fig.6.

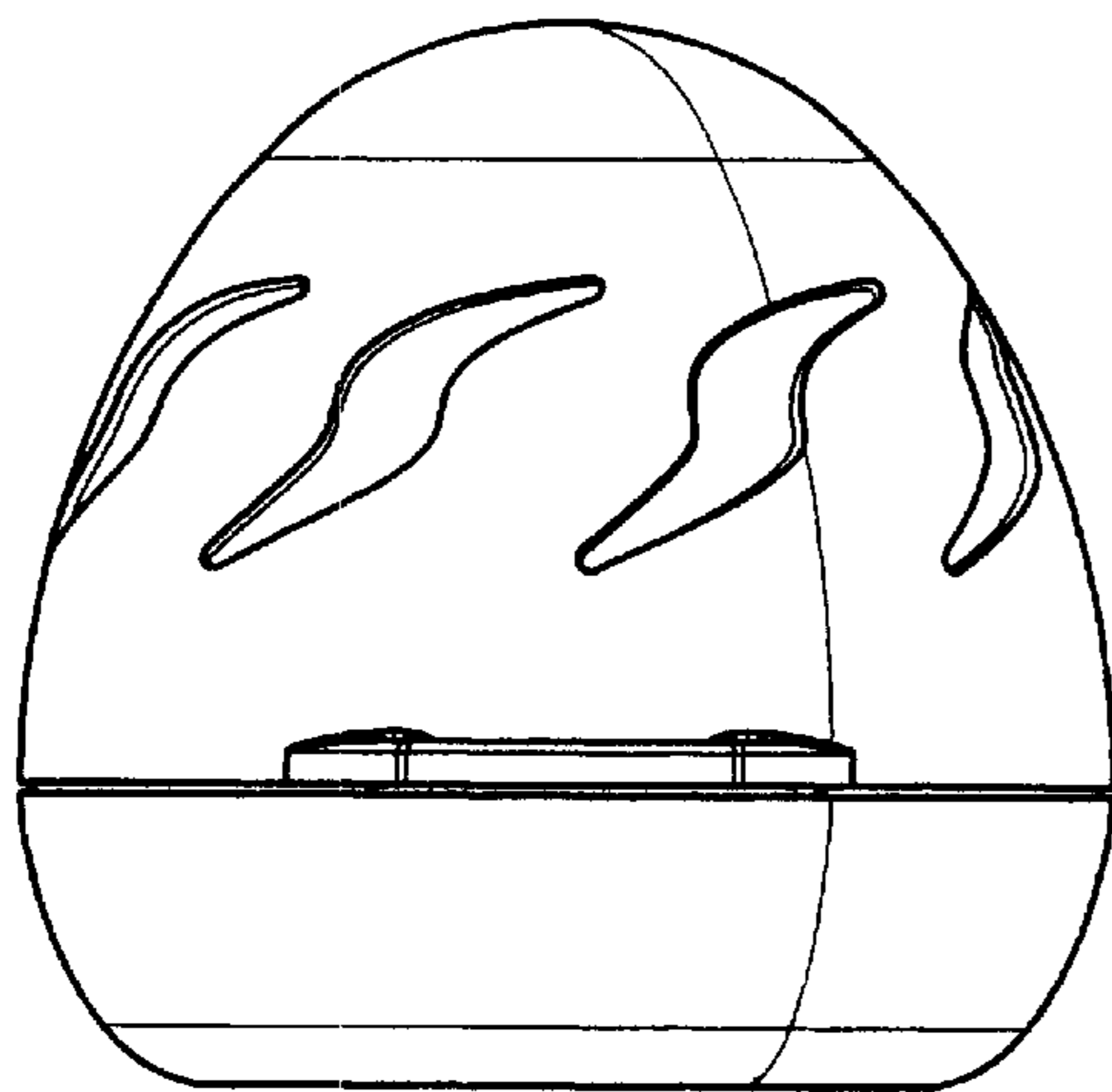


Fig.7.

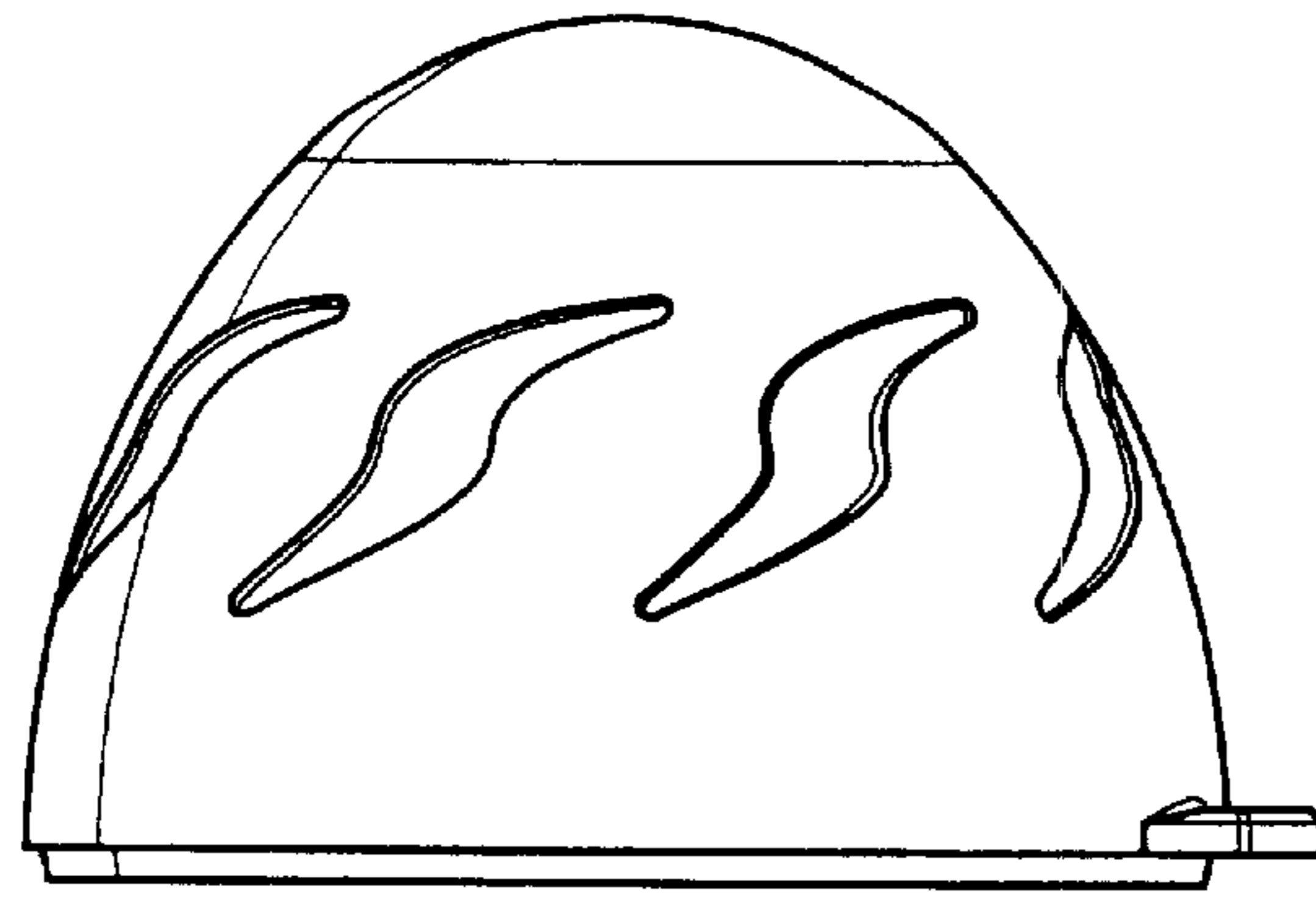
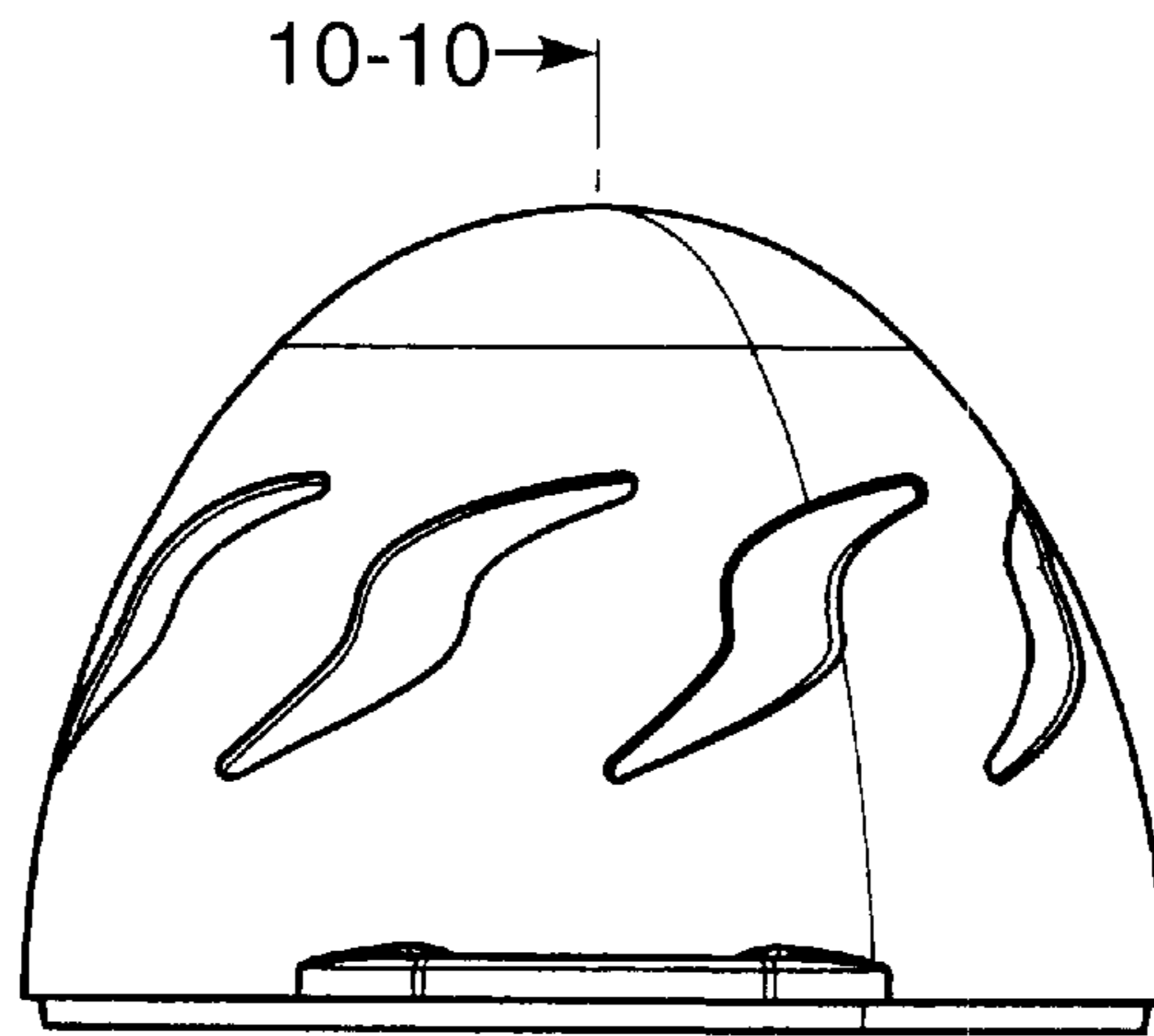


Fig. 8.



10-10 →

Fig. 9.

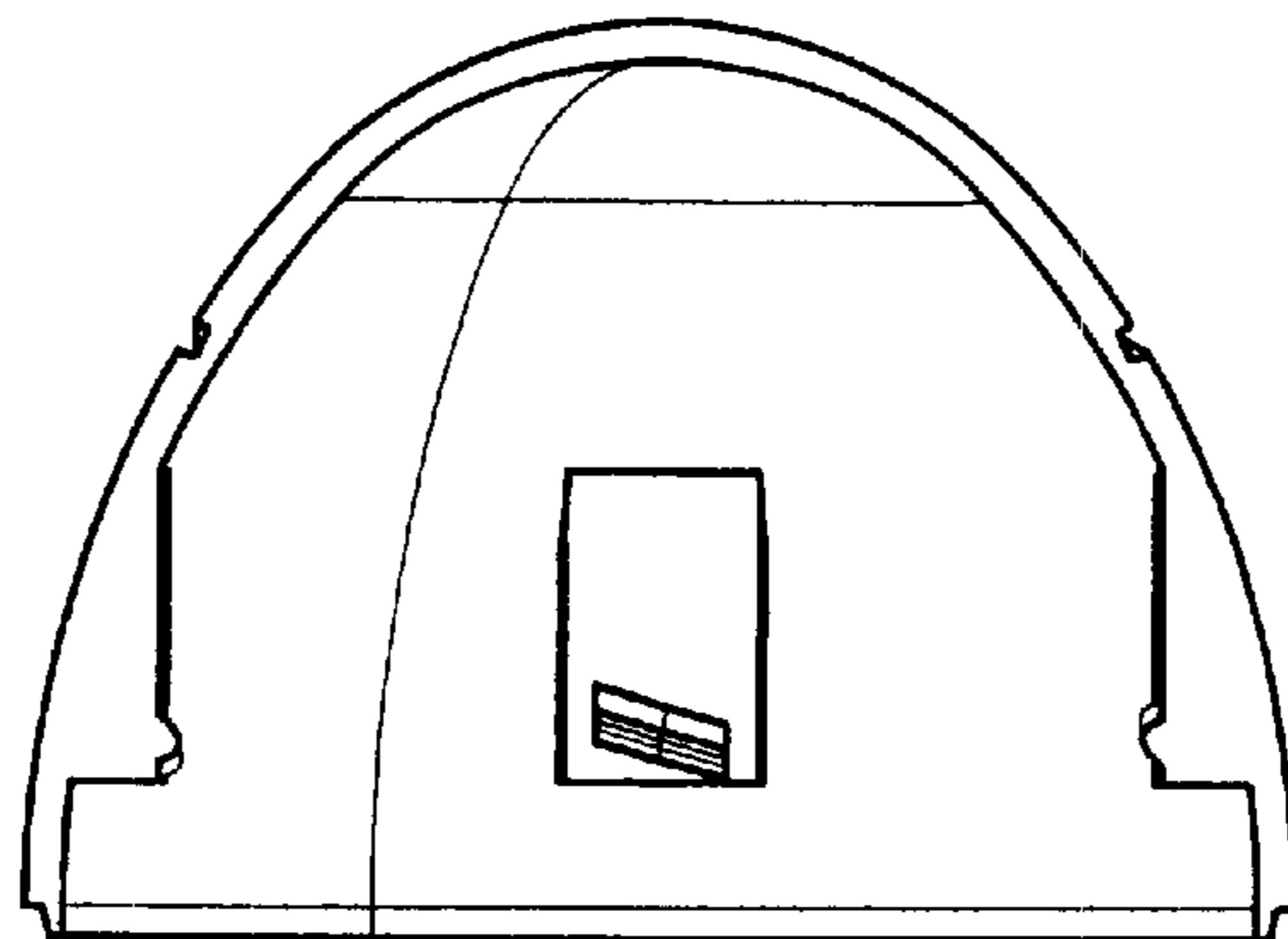


Fig. 10.

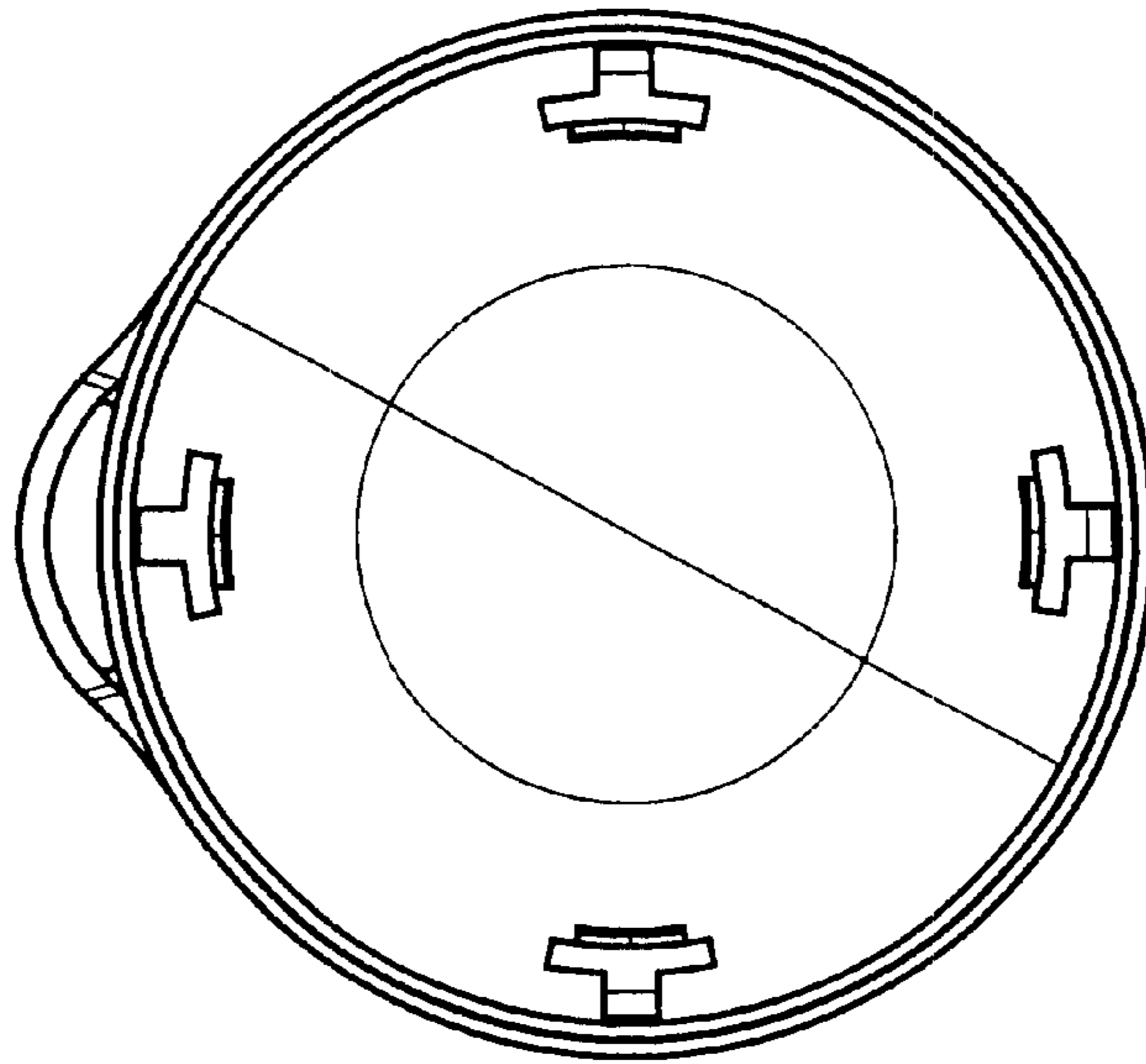


Fig. 11.

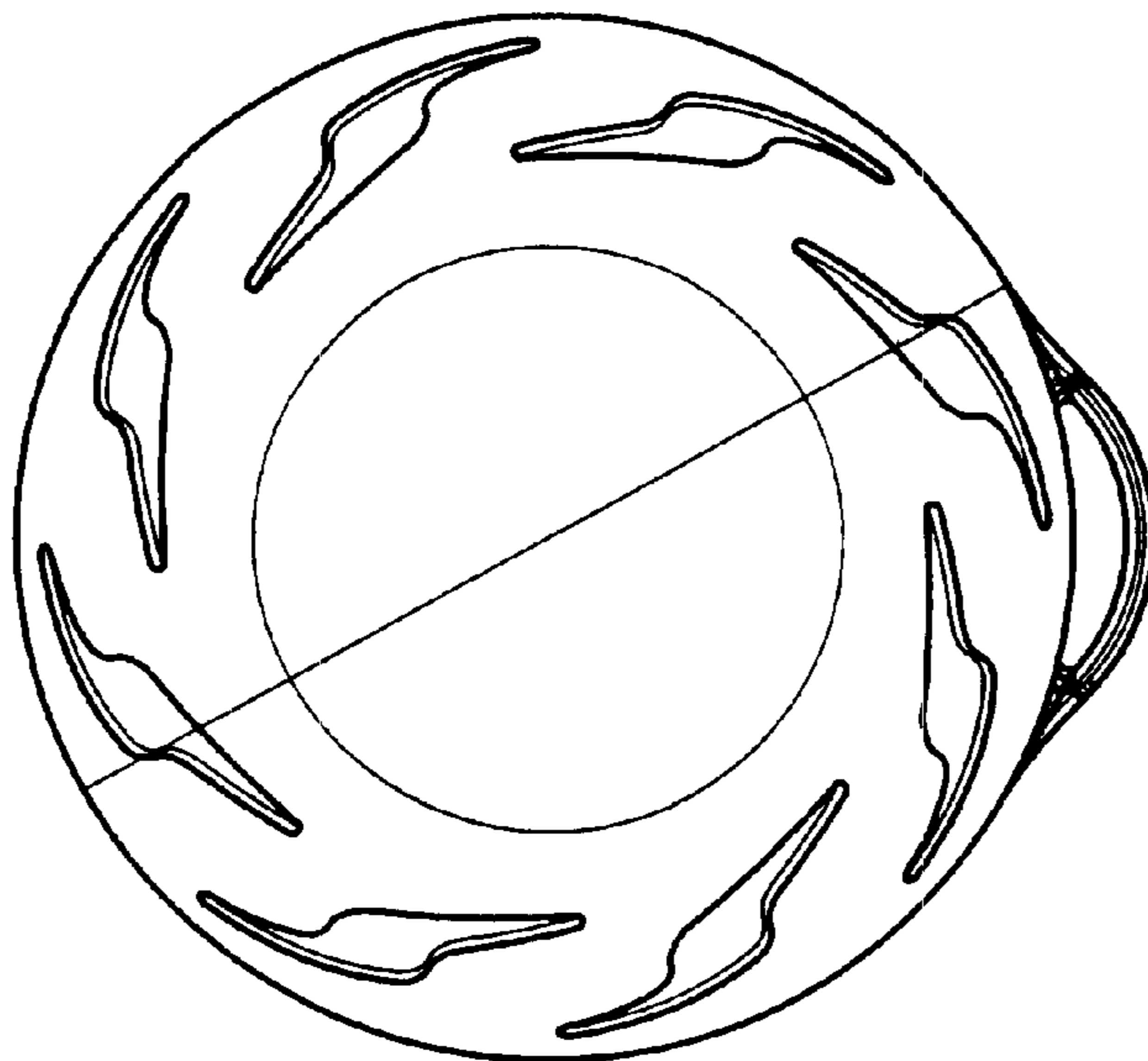


Fig. 12.

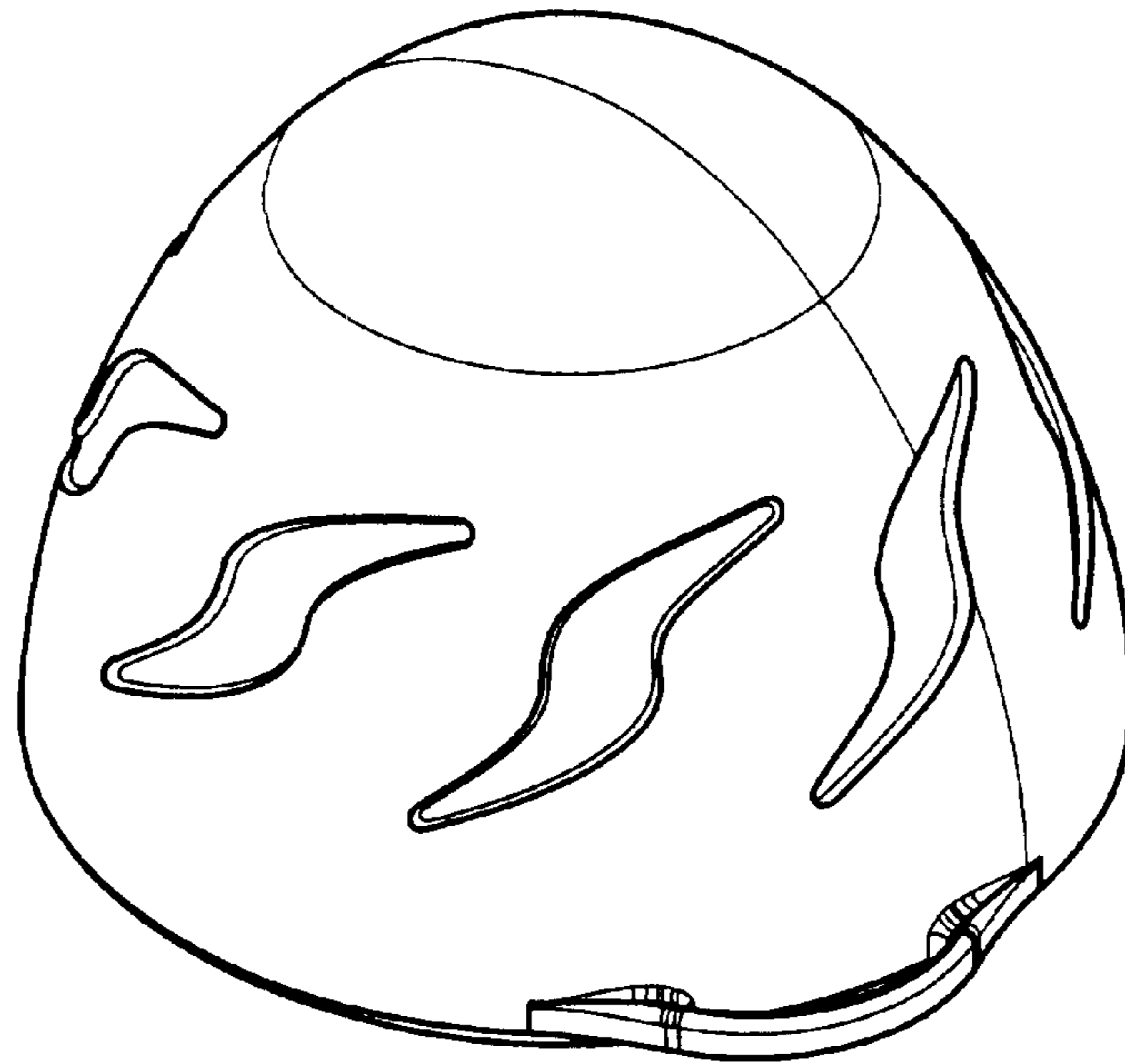


Fig.13.

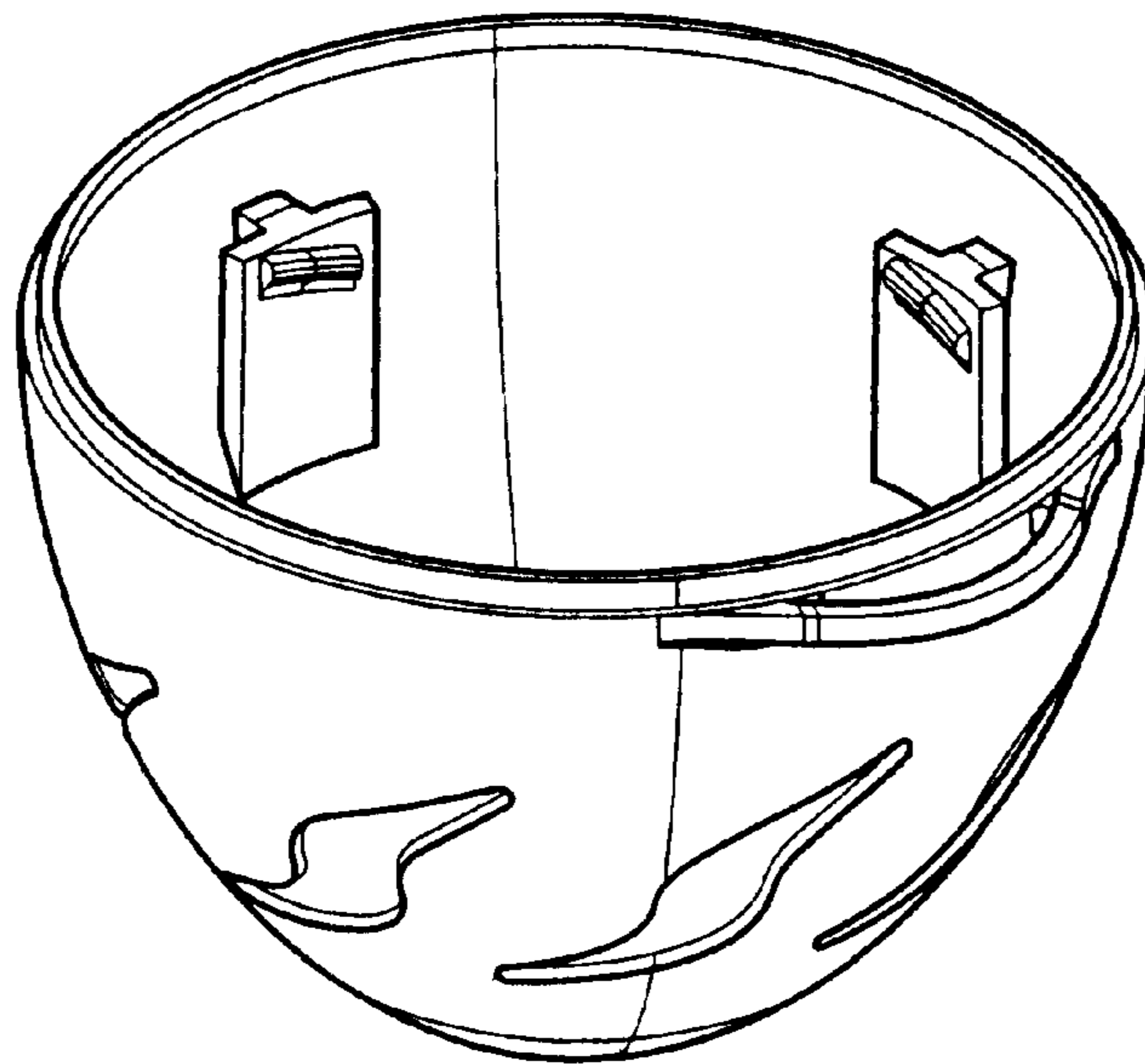


Fig.14.