

US00D509888S

(12) **United States Design Patent**
Giugiaro

(10) **Patent No.:** **US D509,888 S**

(45) **Date of Patent:** **** Sep. 20, 2005**

(54) **CASING OF APPARATUS FOR THE
CONDITIONING, COOLING AND/OR
HEATING**

(75) **Inventor:** **Giorgetto Giugiaro, Moncalieri (IT)**

(73) **Assignee:** **Aermec S.P.A., Bevilacqua (IT)**

(**) **Term:** **14 Years**

(21) **Appl. No.:** **29/196,294**

(22) **Filed:** **Dec. 24, 2003**

(30) **Foreign Application Priority Data**

Jul. 24, 2003 (EP) 000055843

(51) **LOC (8) Cl.** **23-04**

(52) **U.S. Cl.** **D23/328**

(58) **Field of Search** D23/314, 330,
D23/328, 333, 342, 351; 312/236, 238,
400; 62/262-263, 259.1, 259.4; 454/201-204;
126/9 A, 92 A, 92 B; 392/365-369, 373-376

(56) **References Cited**

U.S. PATENT DOCUMENTS

D348,725 S * 7/1994 Wortham D23/335

D453,557 S * 2/2002 Pannozzo et al. D23/335
D464,413 S * 10/2002 Shapiro et al. D23/335
D469,525 S * 1/2003 Giugiaro D23/328
D477,864 S * 7/2003 Giugiaro D23/328
D484,961 S * 1/2004 Giugiaro D23/328
D499,474 S * 12/2004 Ching D23/335

* cited by examiner

Primary Examiner—Brian N Vinson

(74) *Attorney, Agent, or Firm*—Notaro&Michalos PC

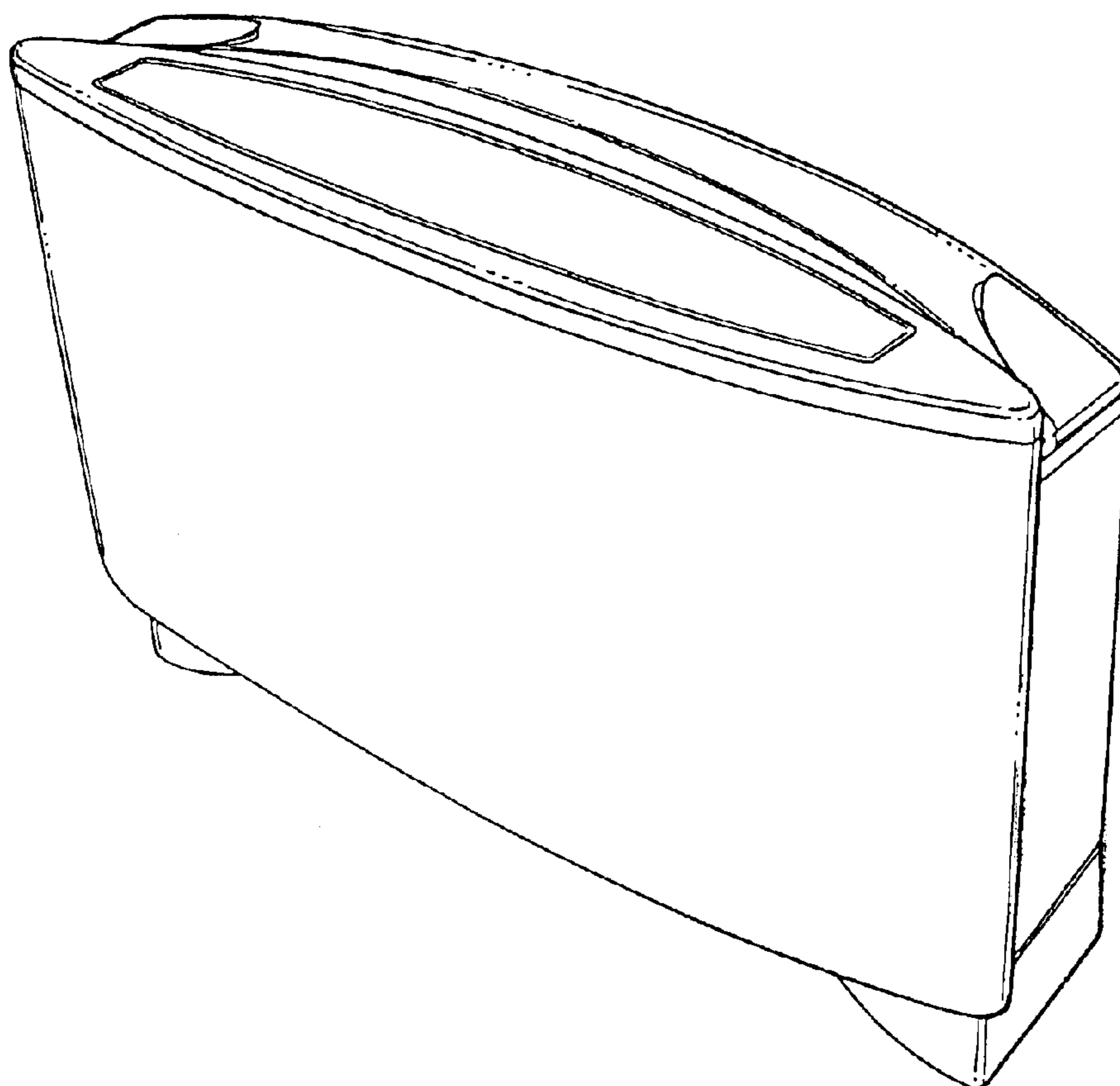
(57) **CLAIM**

The ornamental design for a, casing of apparatus for the conditioning, cooling and/or heating, as shown and described.

DESCRIPTION

FIG. 1 is a front top left side perspective view of a casing of apparatus for the conditioning, cooling and/or heating;
FIG. 2 is a front elevational view thereof;
FIG. 3 is a rear elevational view thereof;
FIG. 4 is a left-side elevational view thereof;
FIG. 5 is a right-side elevational view thereof;
FIG. 6 is a top plan view thereof; and,
FIG. 7 is a bottom plan view thereof.

1 Claim, 3 Drawing Sheets



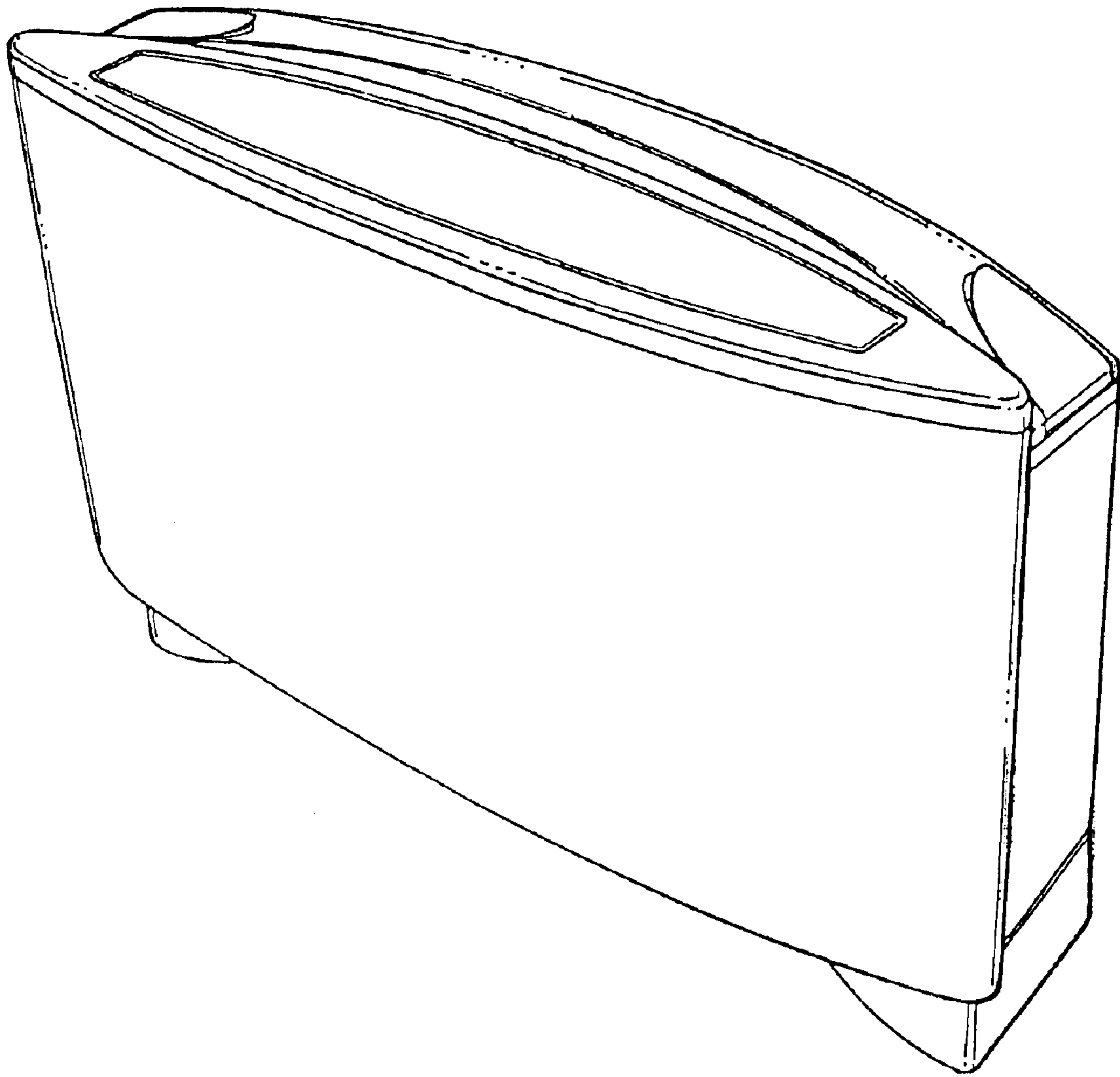


FIG. 1

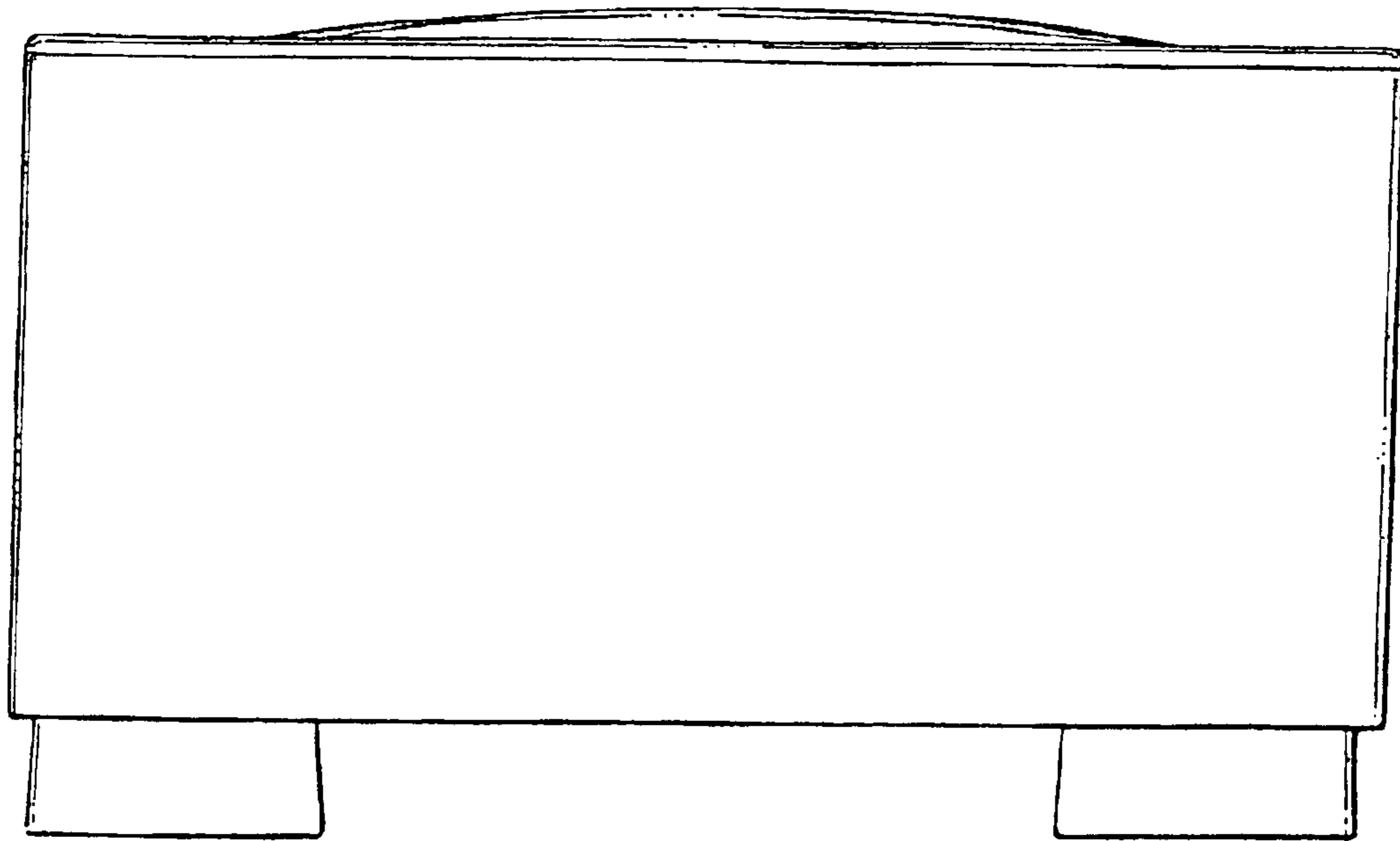


FIG. 2

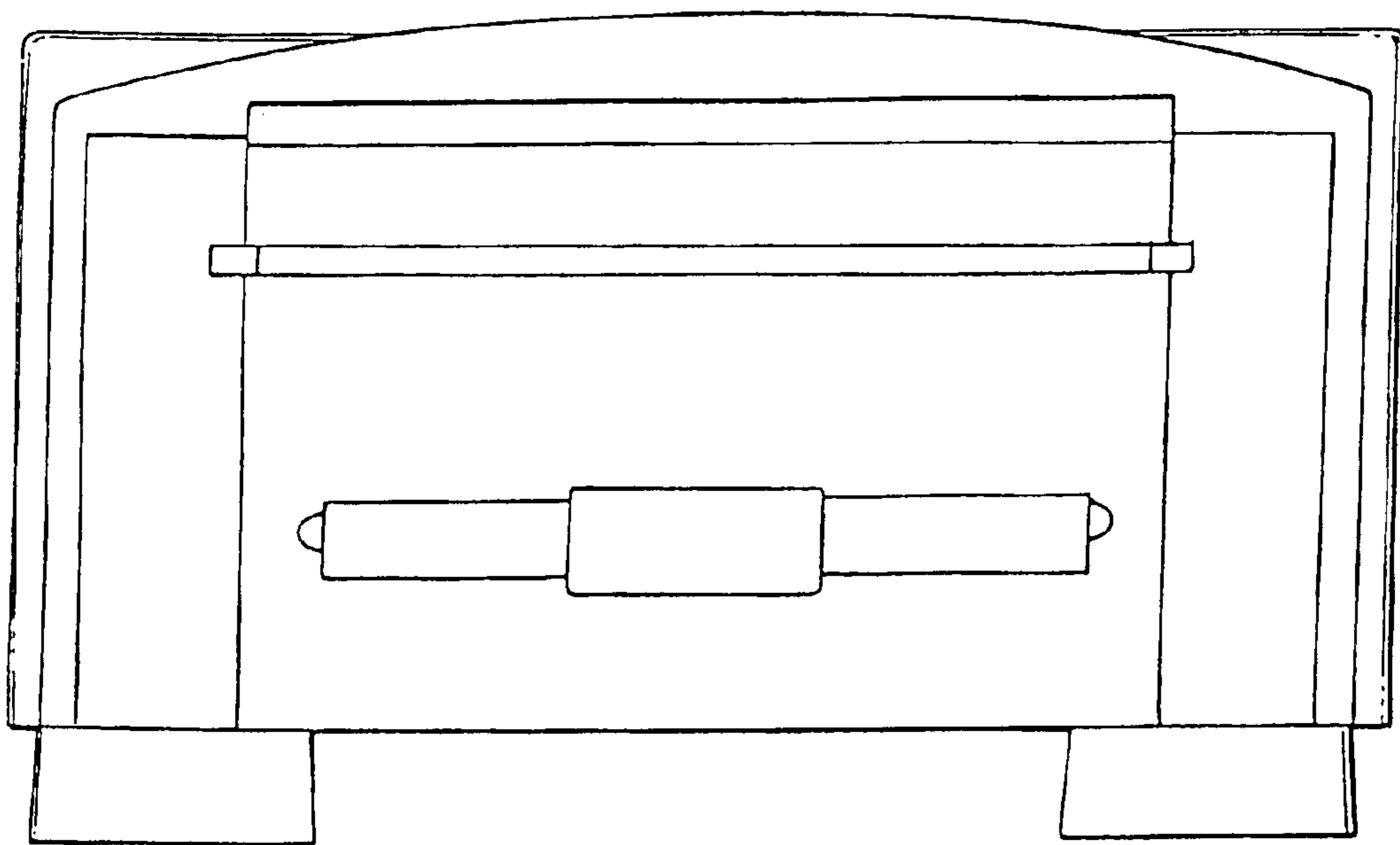


FIG. 3

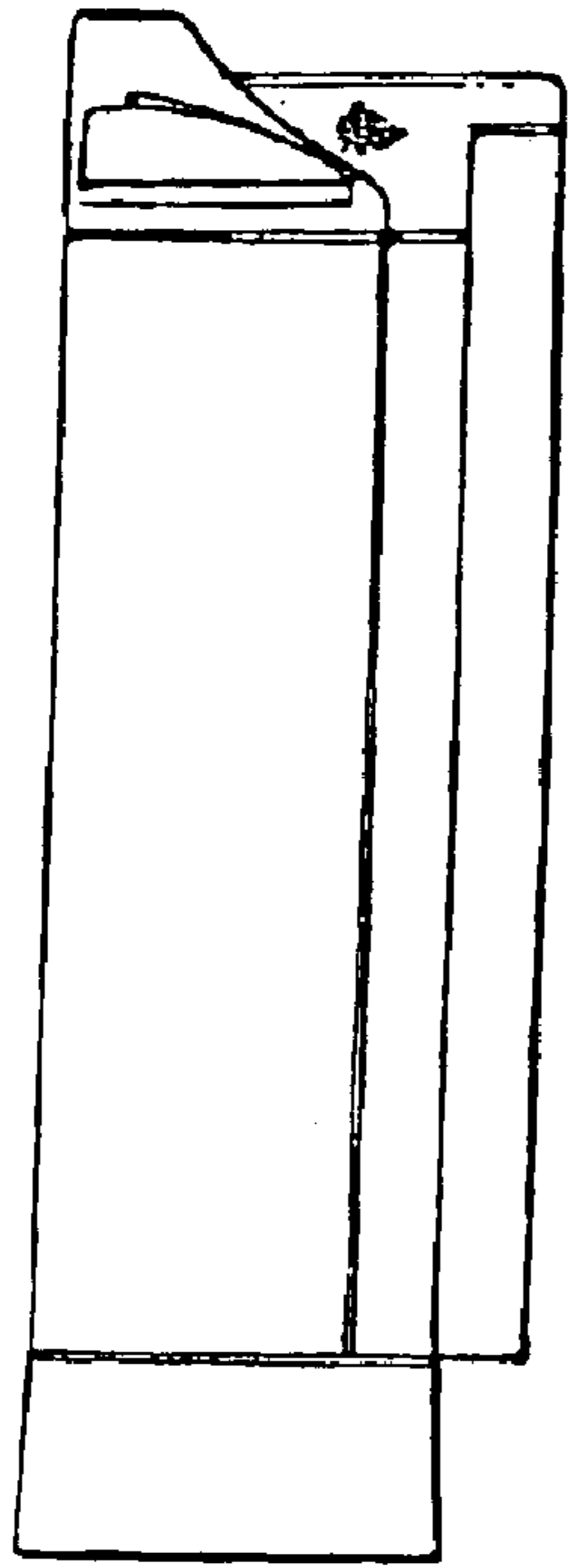


FIG. 4

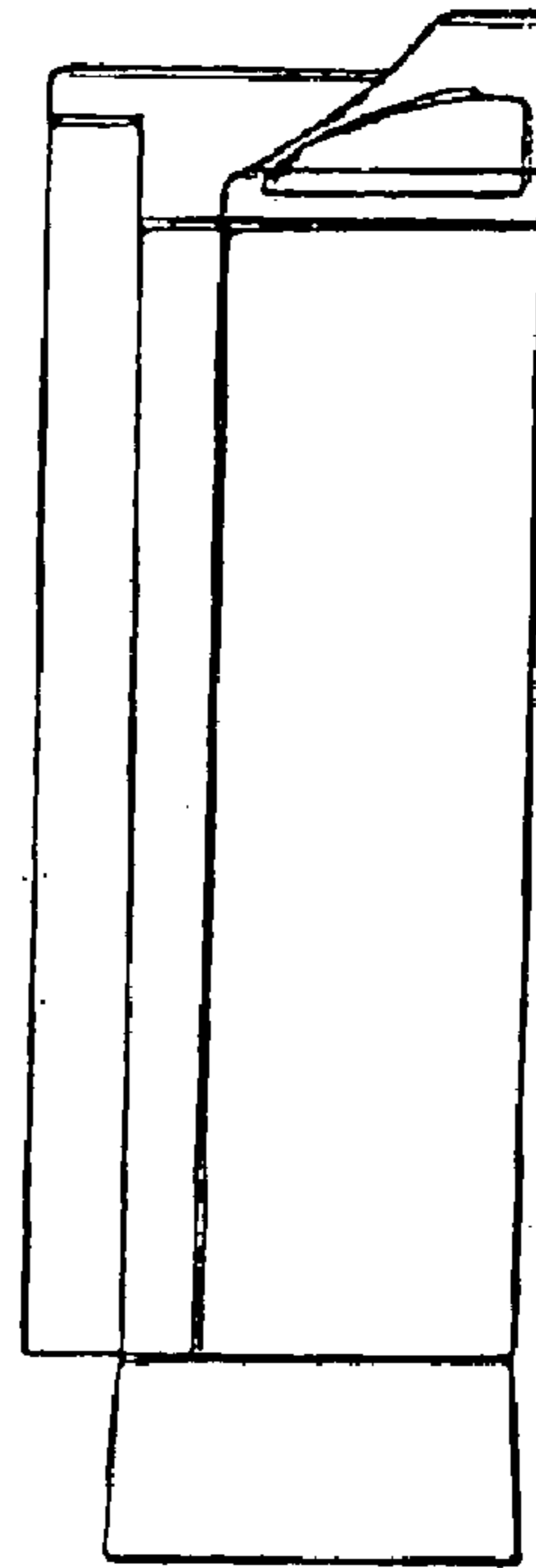


FIG. 5

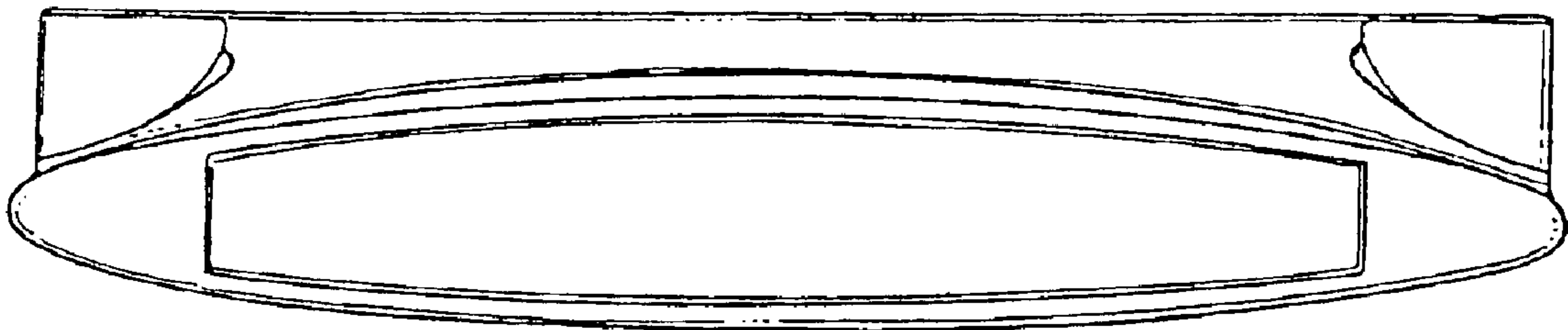


FIG. 6

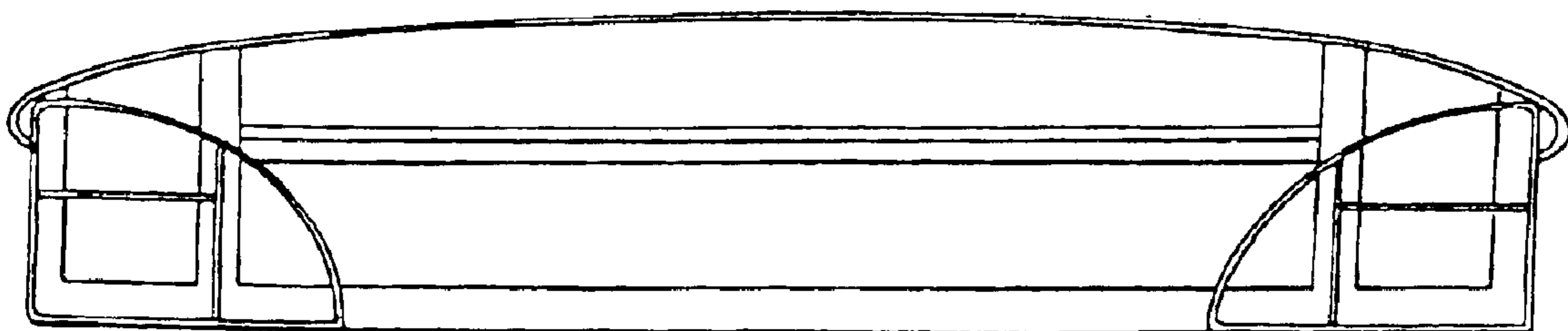


FIG. 7