



US00D509886S

(12) **United States Design Patent** (10) **Patent No.:** **US D509,886 S**
Lucchese (45) **Date of Patent:** **** Sep. 20, 2005**

(54) **BATH TUB**

(75) Inventor: **Francesco Lucchese**, Varese (IT)

(73) Assignee: **Titan Bagno S.A.**, Falciano (SM)

(**) Term: **14 Years**

(21) Appl. No.: **29/215,301**

(22) Filed: **Oct. 15, 2004**

(30) **Foreign Application Priority Data**

Apr. 16, 2004 (EM) 000166111

(51) **LOC (8) Cl.** **23-02**

(52) **U.S. Cl.** **D23/277**

(58) **Field of Search** D23/270, 273,
D23/275-277, 280.1-280.4, 303, 304; 4/538-539,
541.1, 553, 584, 663; D24/204-205

(56) **References Cited**

U.S. PATENT DOCUMENTS

1,445,243 A * 2/1923 Spaleck D23/280.1
1,664,491 A * 4/1928 Siegel D23/275

D317,371 S * 6/1991 Haffner D23/280.1

* cited by examiner

Primary Examiner—Robert A. Delehanty

(74) *Attorney, Agent, or Firm*—Pearne & Gordon LLP

(57) **CLAIM**

I claim the ornamental design for a bath tub, as shown and described.

DESCRIPTION

FIG. 1 is a front perspective view of the bath tub showing my new design;

FIG. 2 is a perspective view thereof showing the rear side of the bath tub that is generally in contact with a wall;

FIG. 3 is a right side view thereof;

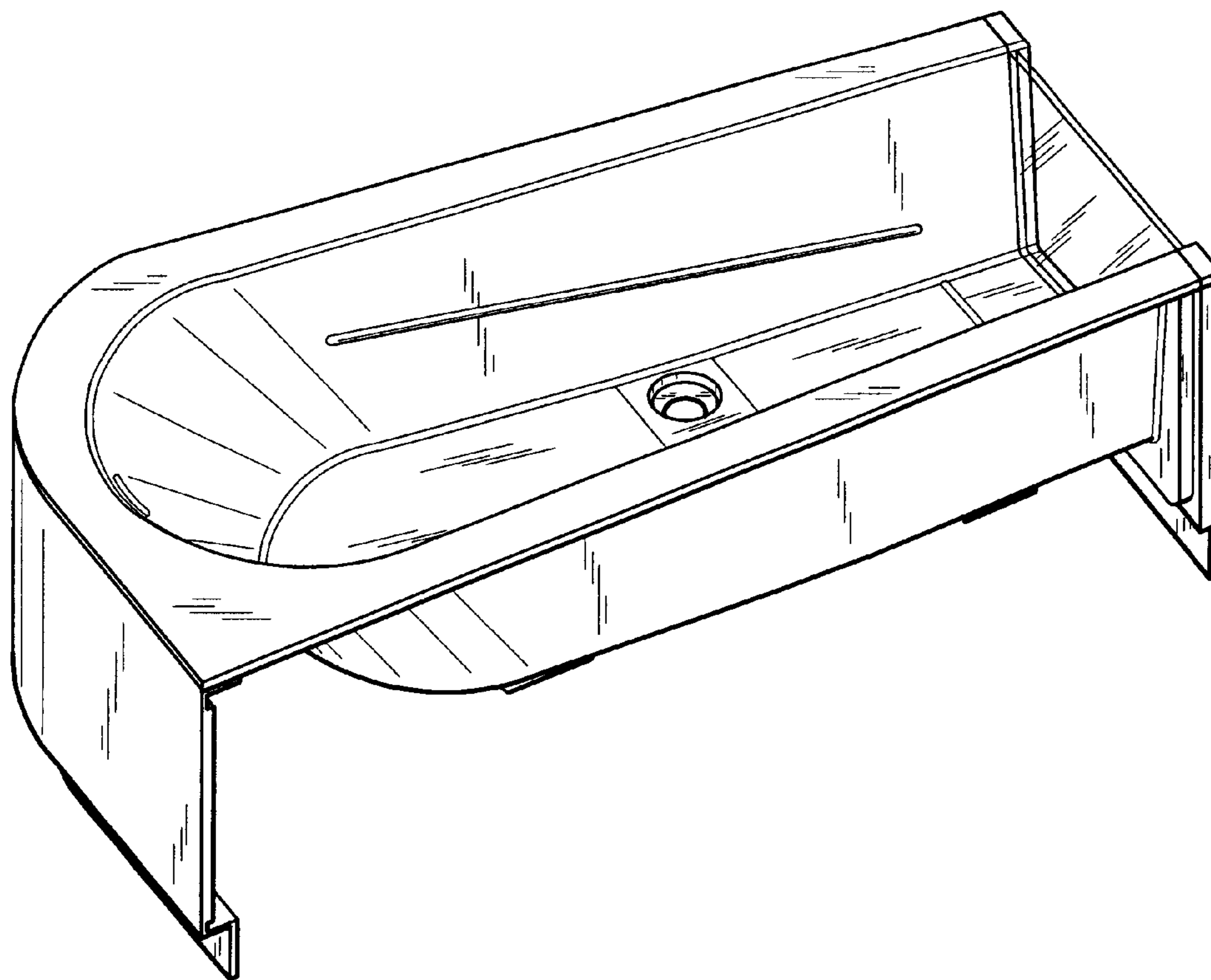
FIG. 4 is a front view thereof;

FIG. 5 is a left side view thereof wherein a quadrilateral transparent wall that has two lateral convergent edges is visible;

FIG. 6 is a top plan view thereof; and,

FIG. 7 is a rear side view thereof (shown upside-down with respect to the view of FIG. 4) illustrating the rear side shown in FIG. 2.

1 Claim, 2 Drawing Sheets



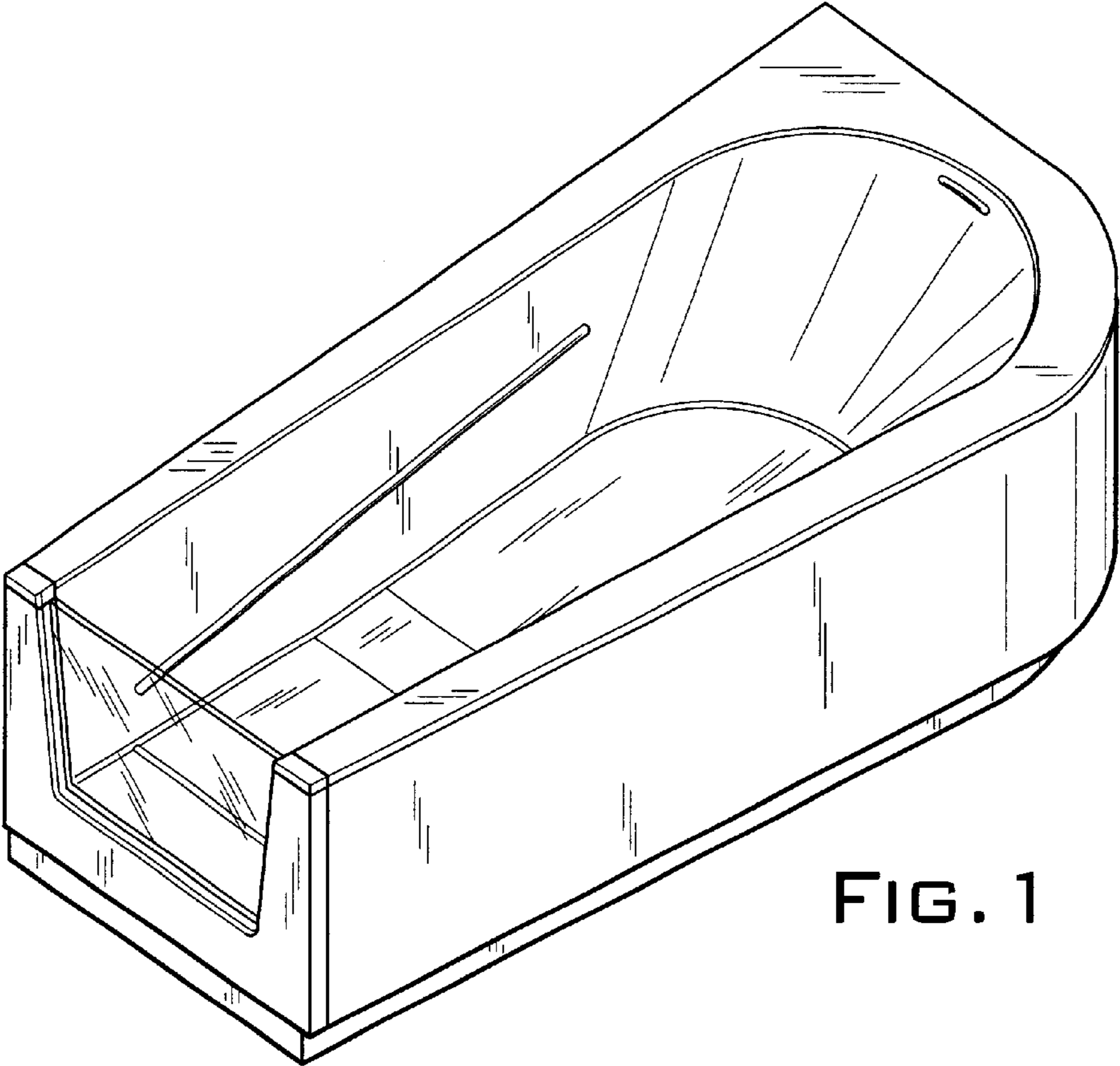


FIG. 1

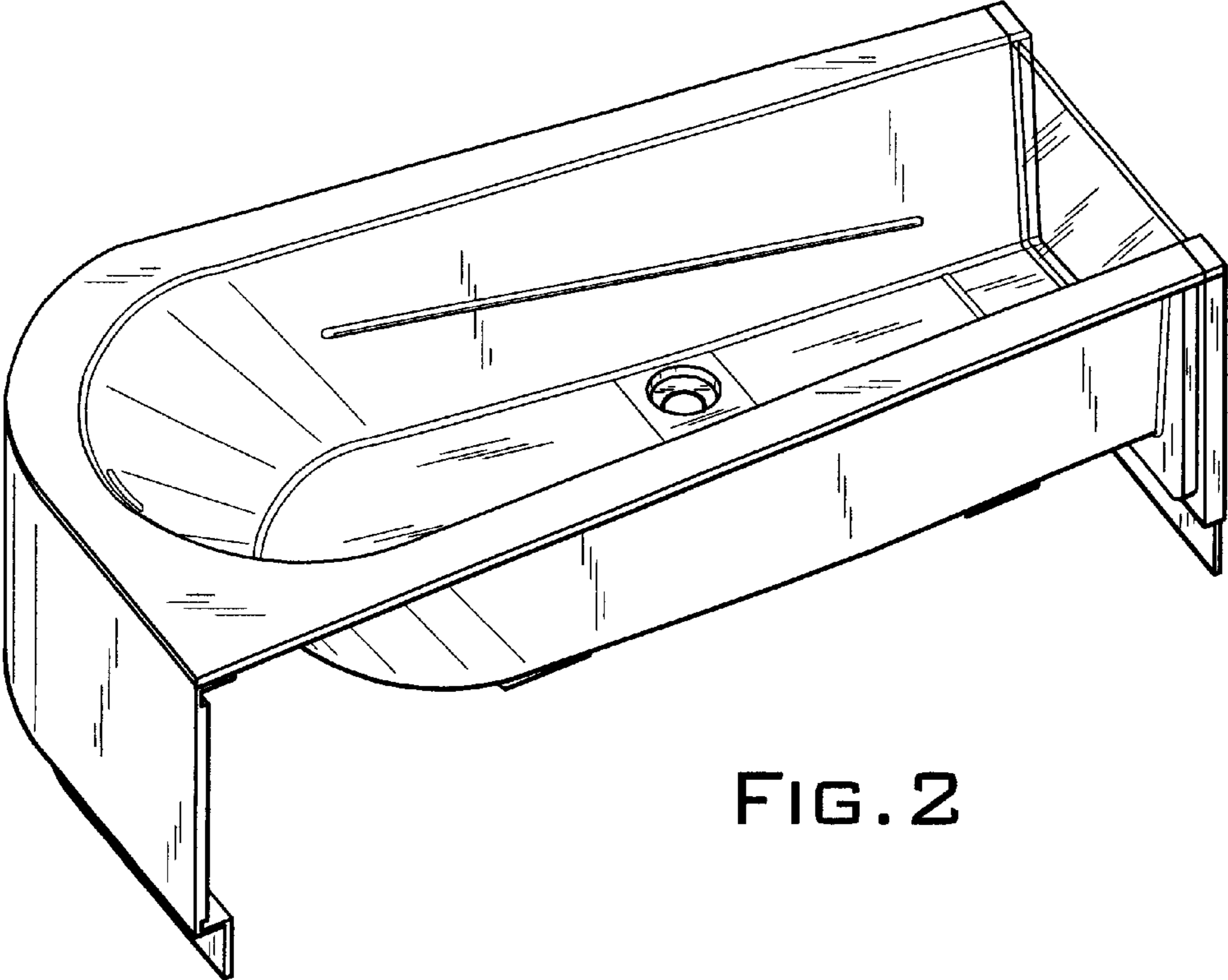


FIG. 2

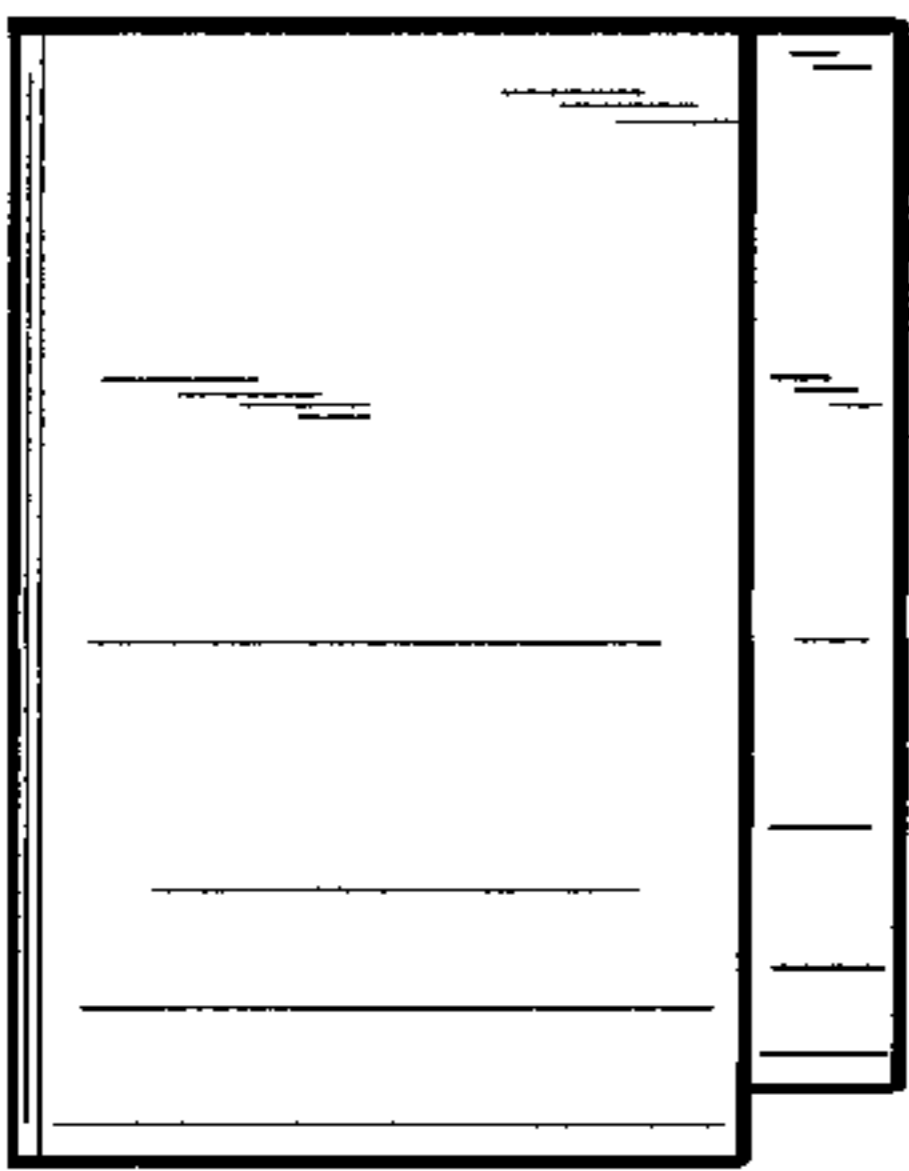


FIG. 3

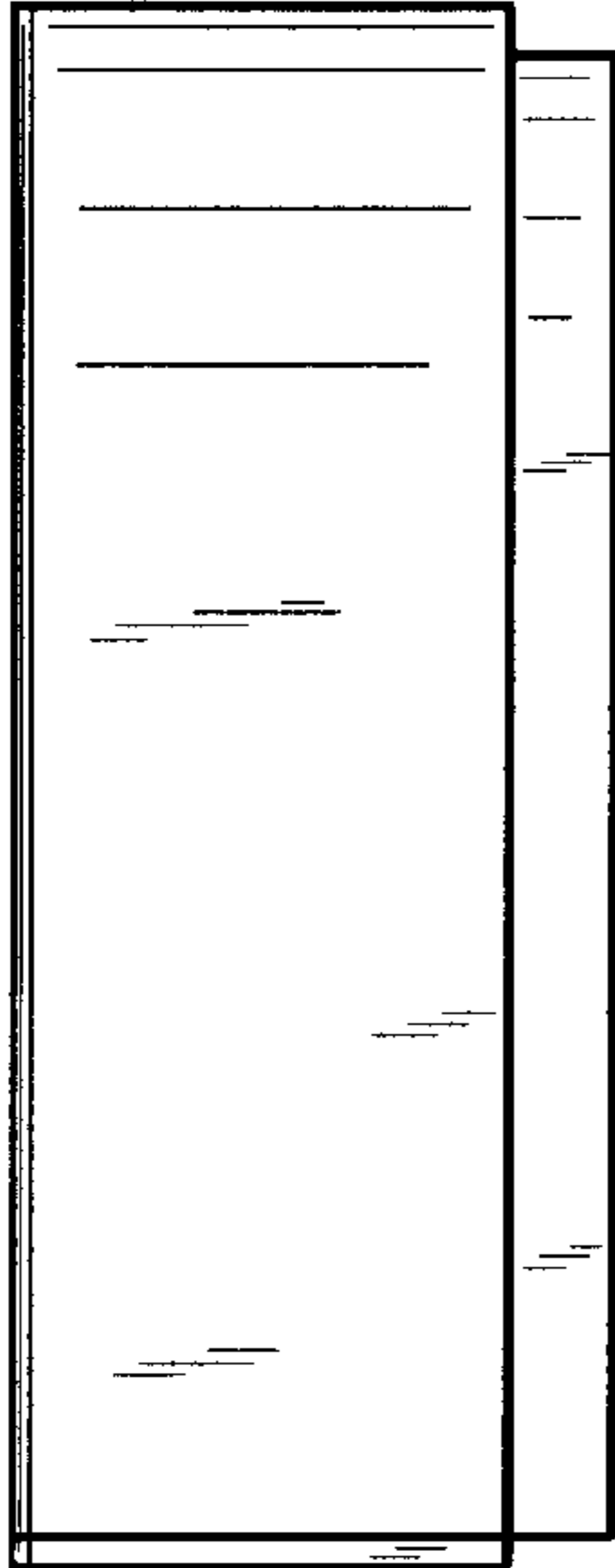


FIG. 4

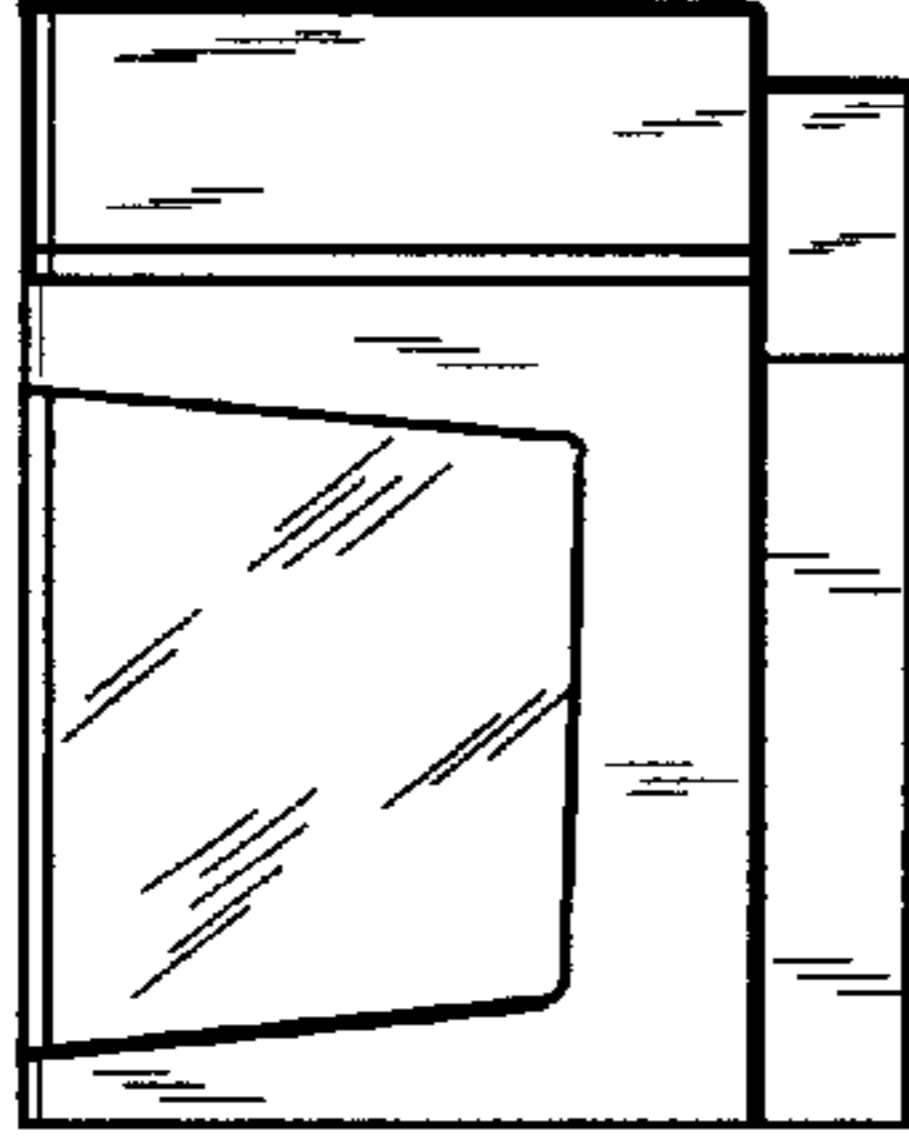


FIG. 5

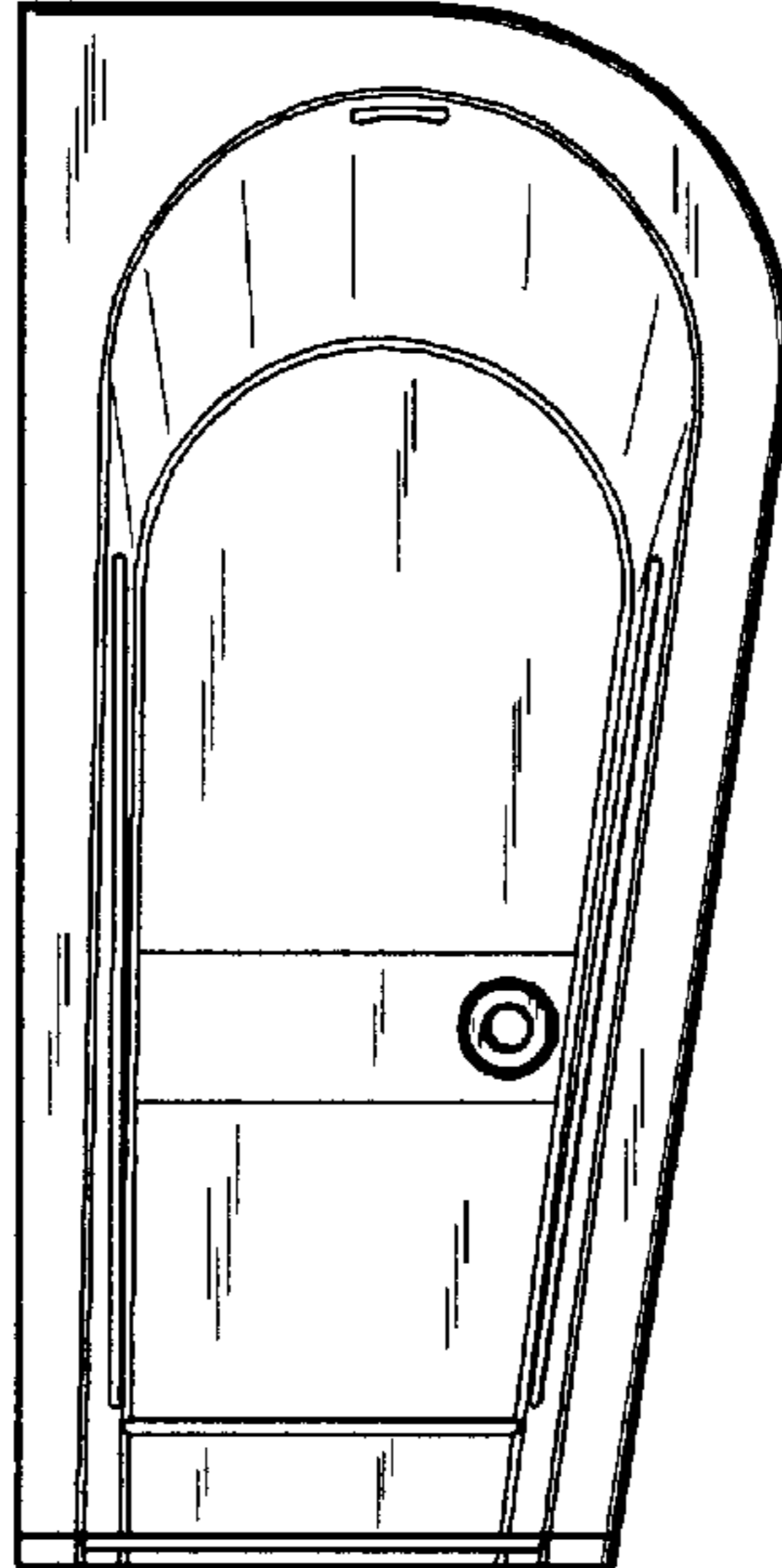


FIG. 6

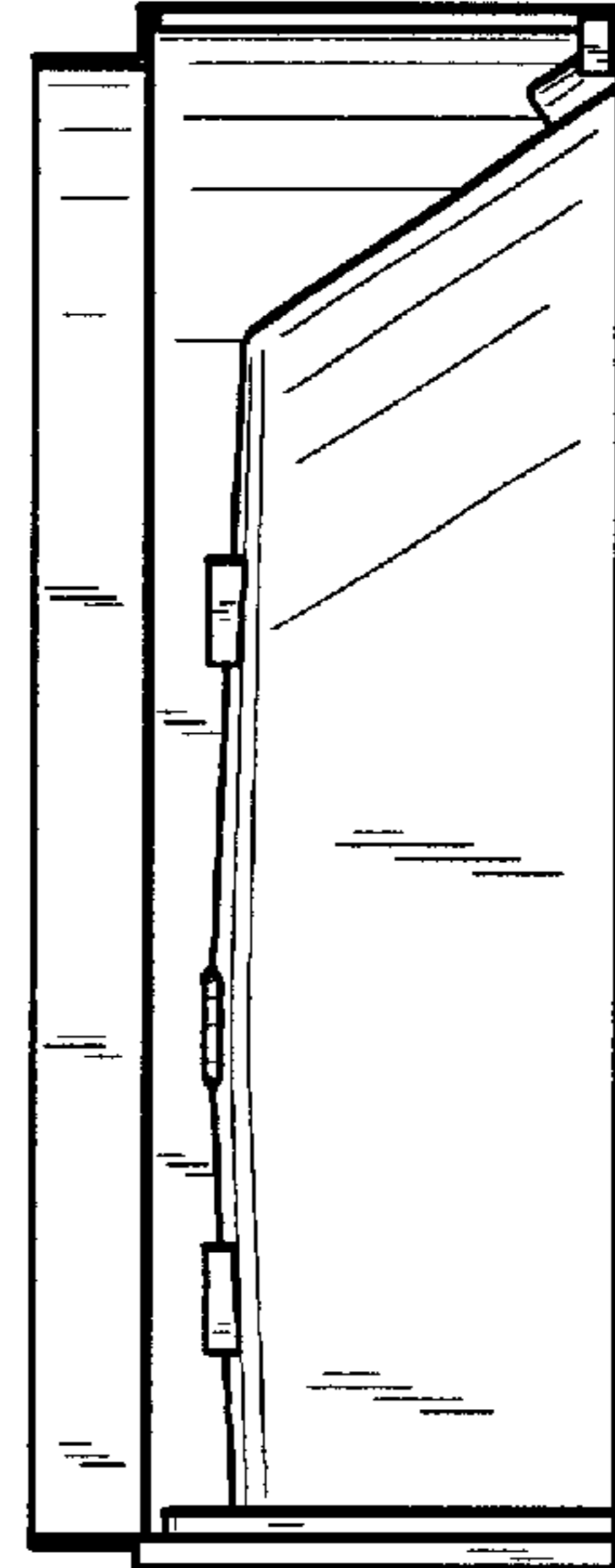


FIG. 7