



US00D509883S

(12) **United States Design Patent**
Xiang et al.

(10) **Patent No.: US D509,883 S**

(45) **Date of Patent: ** Sep. 20, 2005**

(54) **FAUCET HANDLE**

(75) Inventors: **Wang Xiang**, Taichung (TW); **Tan Wan-Hong**, Taichung (TW)

(73) Assignee: **Globe Union Industrial Corp.**, Taichung (TW)

(**) Term: **14 Years**

(21) Appl. No.: **29/204,511**

(22) Filed: **Apr. 30, 2004**

(51) **LOC (8) Cl. 23-01**

(52) **U.S. Cl. D23/252**

(58) **Field of Search D23/238-243, D23/245, 250-257; D8/300-322, 350-353, DIG. 3; 16/110.1; 4/675-678; 137/801**

(56) **References Cited**

U.S. PATENT DOCUMENTS

D371,826 S * 7/1996 Robbins D23/252
D407,466 S * 3/1999 Hundley et al. D23/252
D419,647 S * 1/2000 Warshawsky D23/252

D458,989 S * 6/2002 Mullenmeister D23/254
D460,531 S * 7/2002 Ko D23/252
D460,808 S * 7/2002 Otero et al. D23/252
D490,501 S * 5/2004 Ouyoung D23/252

* cited by examiner

Primary Examiner—Louis S. Zarfes

Assistant Examiner—Gregory Andoll

(74) *Attorney, Agent, or Firm*—Troxell Law Office, PLLC

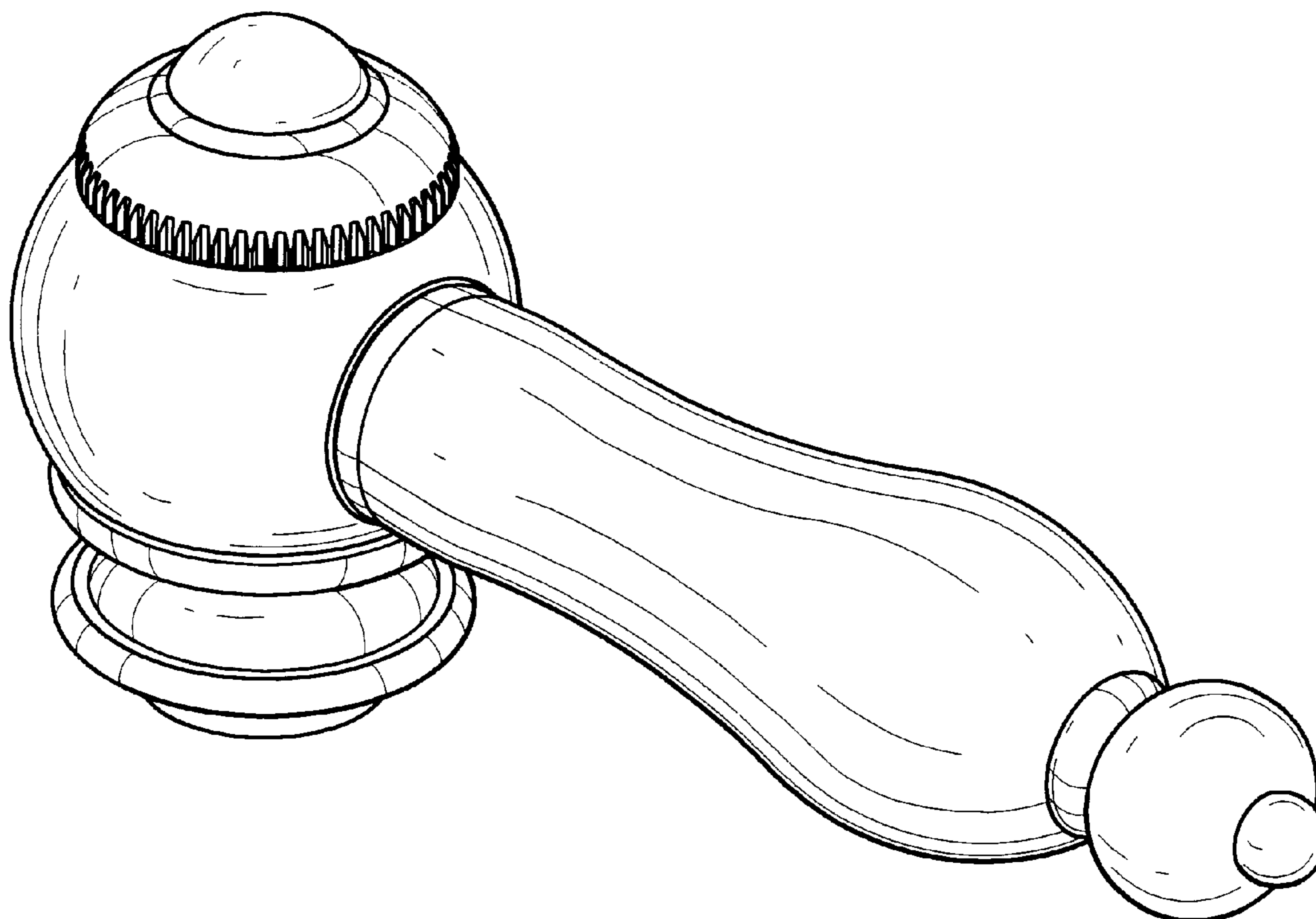
(57) **CLAIM**

The ornamental design for faucet handle, as show and described.

DESCRIPTION

FIG. 1 is a top, left, front, perspective view of faucet handle showing my new design;
FIG. 2 is a front elevational view thereof;
FIG. 3 is a rear elevational view thereof;
FIG. 4 is a left elevational view thereof;
FIG. 5 is a right elevational view thereof; and,
FIG. 6 is a top plan view thereof.

1 Claim, 4 Drawing Sheets



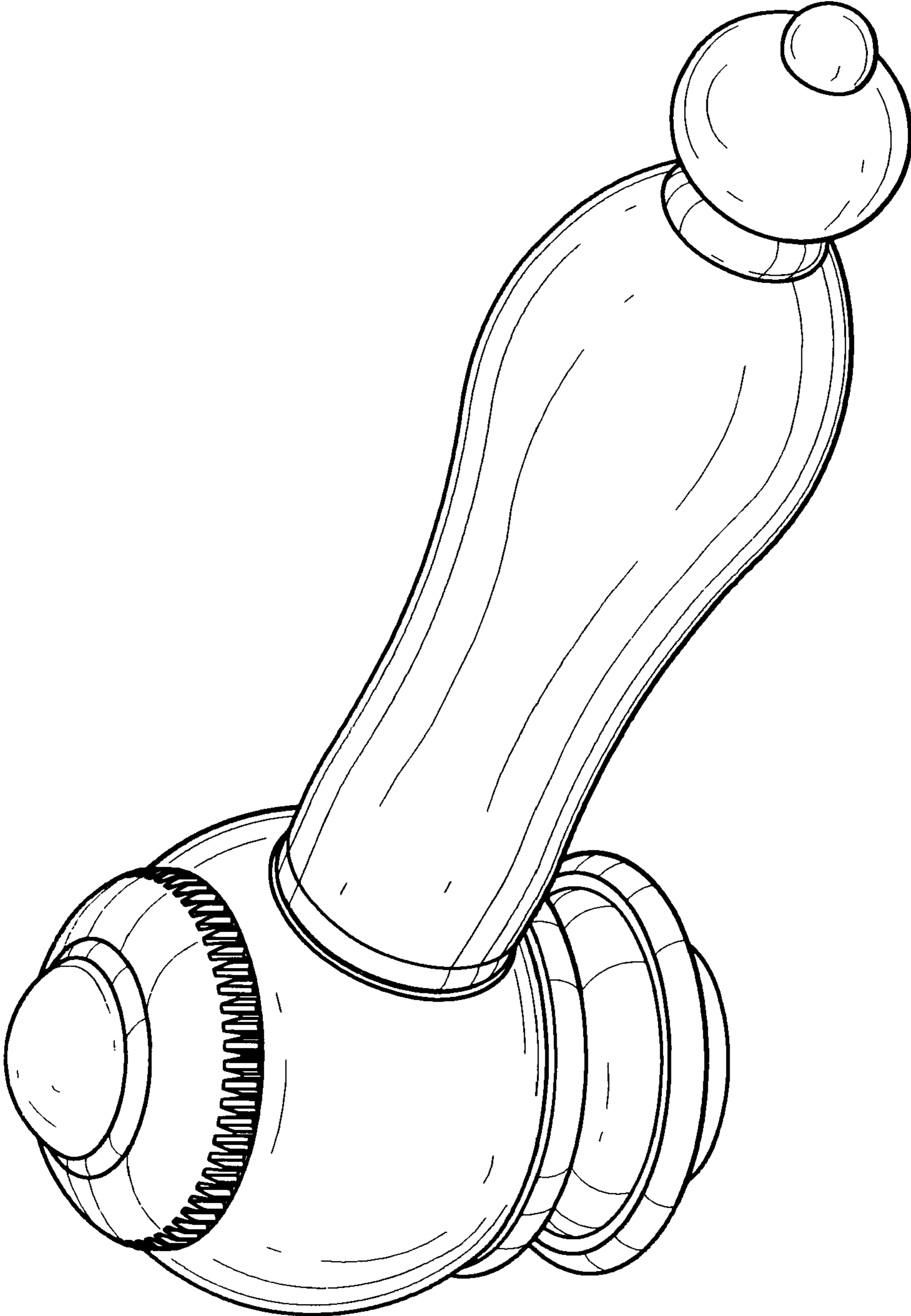


FIG. 1

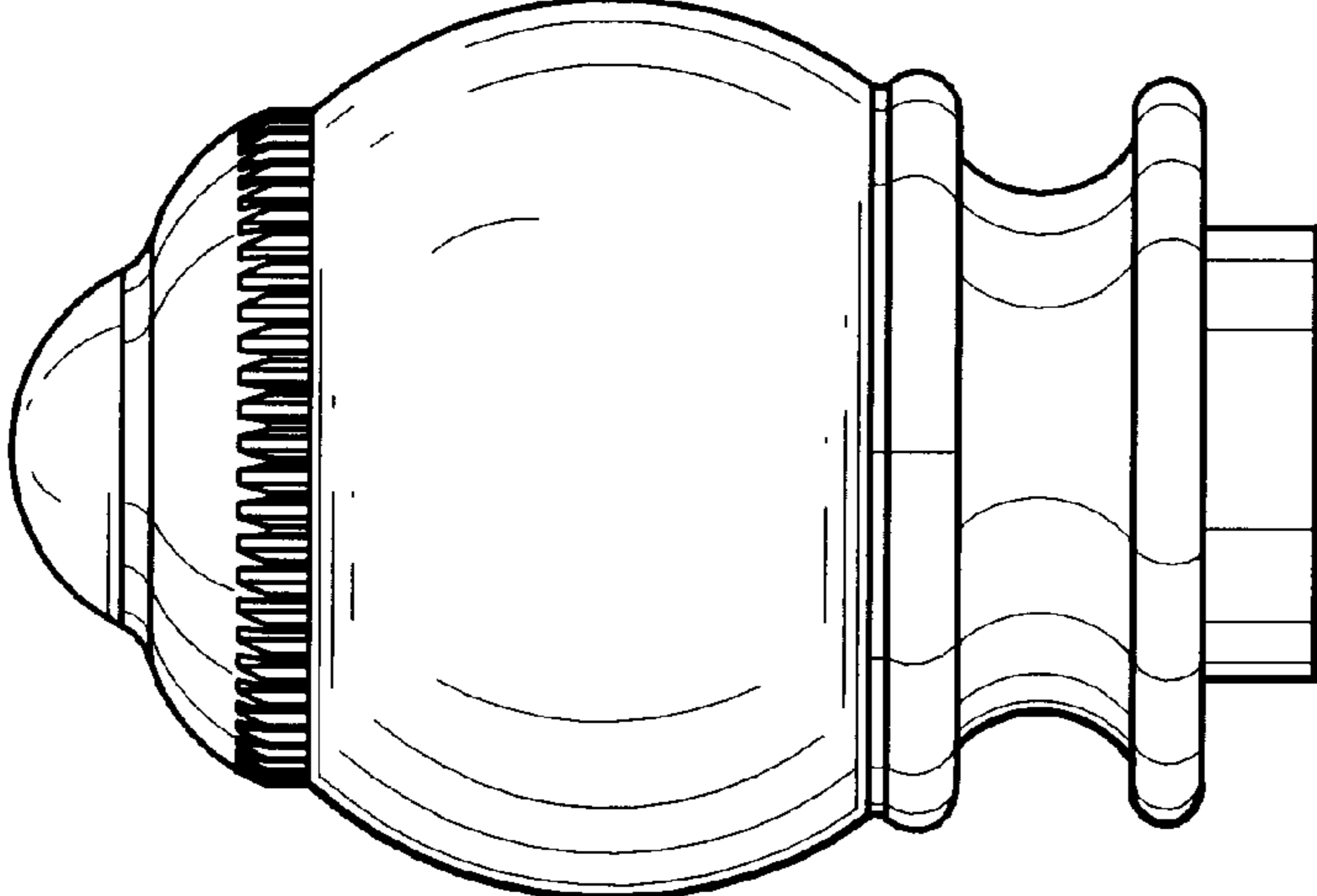


FIG. 2

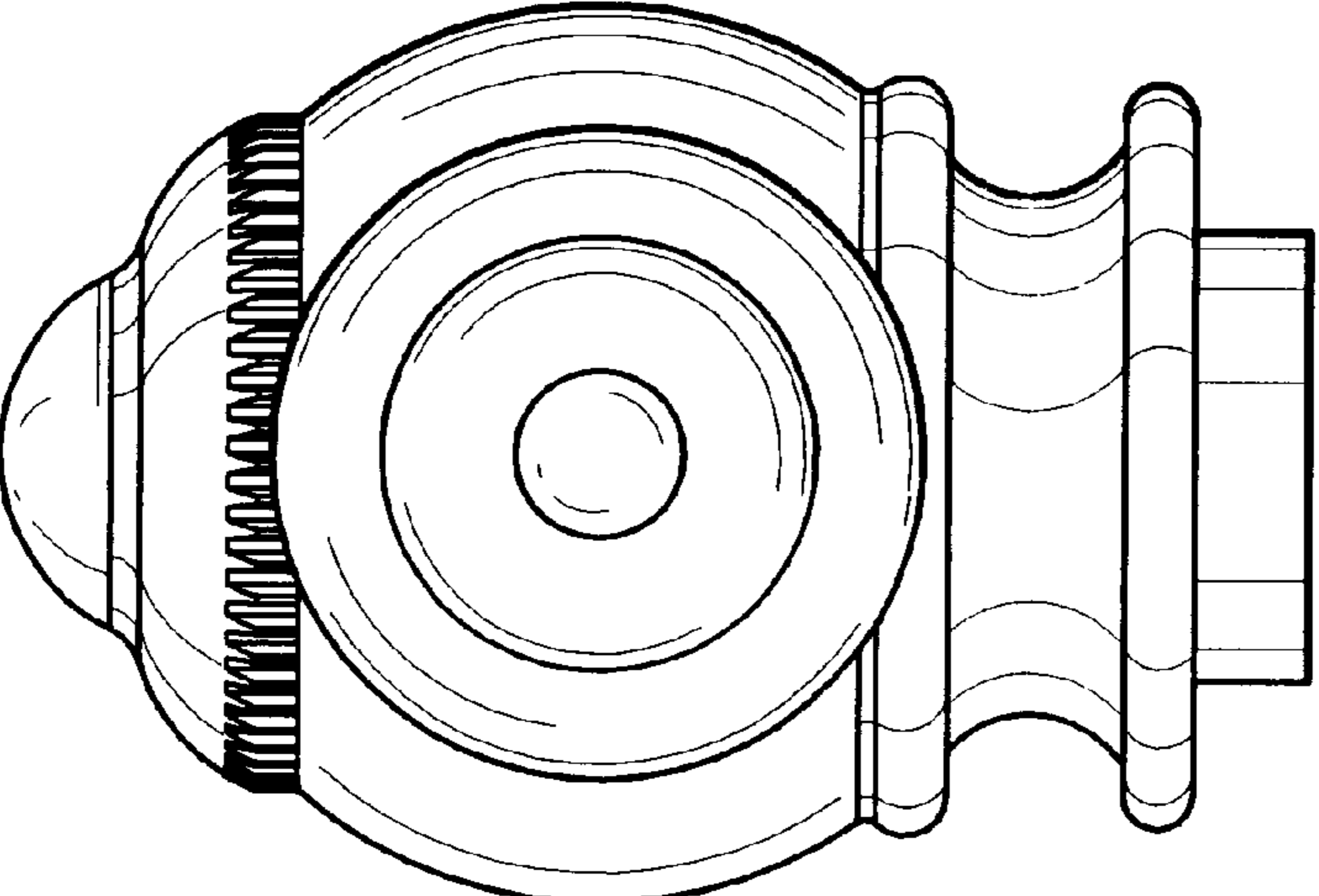


FIG. 3

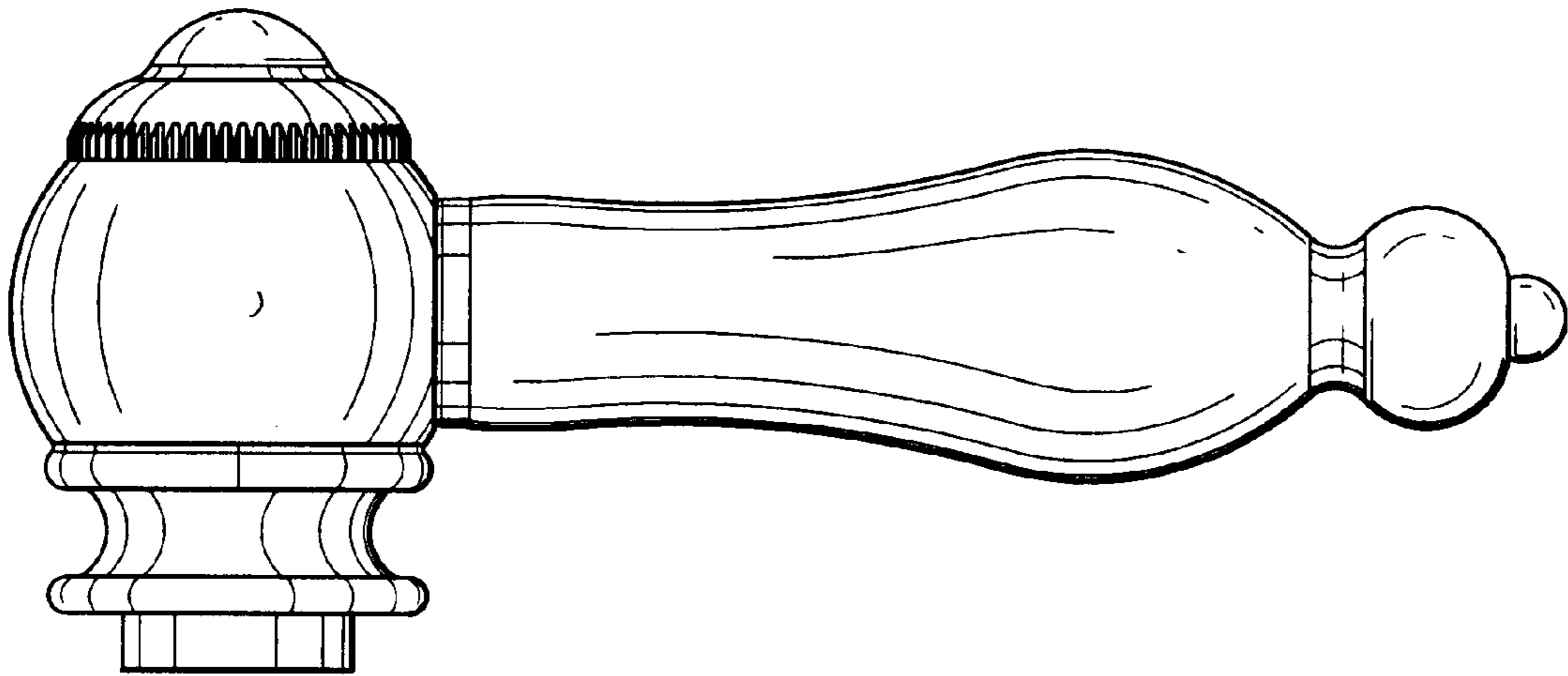


FIG. 4

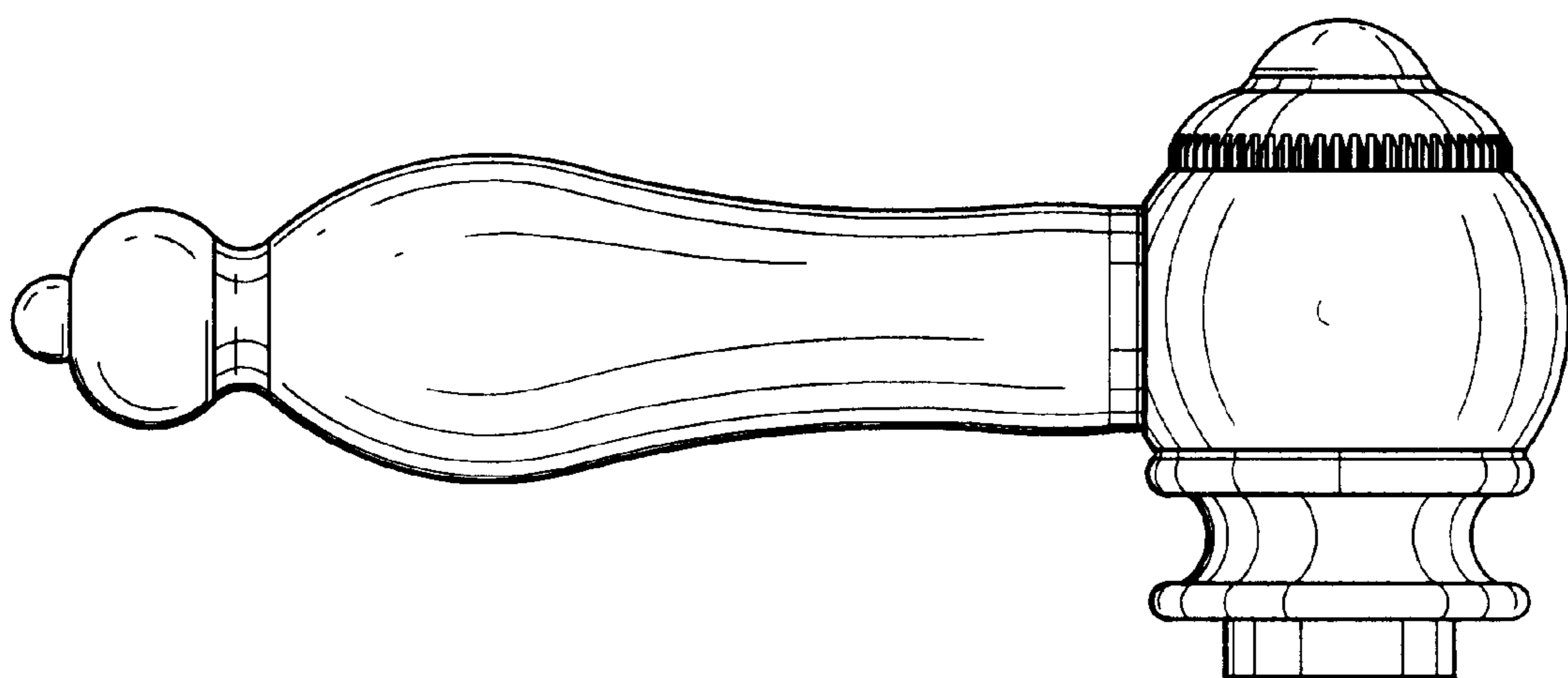


FIG. 5

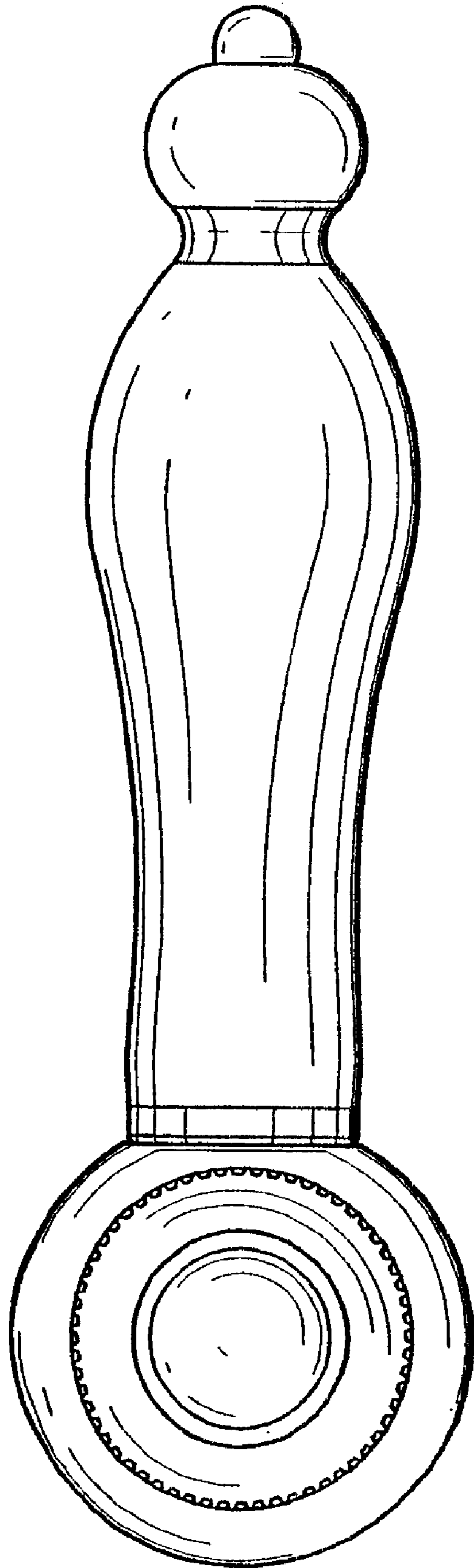


FIG. 6