



US00D509882S

(12) **United States Design Patent**  
**Find et al.**

(10) **Patent No.: US D509,882 S**

(45) **Date of Patent: \*\* Sep. 20, 2005**

(54) **BATH MIXER**

D72,505 S \* 4/1927 van Eweyk ..... D23/243  
D490,142 S \* 5/2004 Ouyoung ..... D23/241

(75) Inventors: **Poul Erik Find, Sonderso (DK);  
Benedicte Find, Sonderso (DK)**

\* cited by examiner

(73) Assignee: **Damixa A/S (DK)**

*Primary Examiner*—Louis S. Zarfaz

*Assistant Examiner*—Gregory Andoll

(\*\*) Term: **14 Years**

(74) *Attorney, Agent, or Firm*—Kwadjo Adusei-Poku;  
Lloyd D. Doigan

(21) Appl. No.: **29/189,805**

(57) **CLAIM**

(22) Filed: **Sep. 11, 2003**

The ornamental design for a bath mixer, as shown and described.

(30) **Foreign Application Priority Data**

Mar. 12, 2003 (DK) ..... DA 2003 00189

**DESCRIPTION**

(51) **LOC (8) Cl.** ..... **23-01**

FIG. 1 is a front perspective view of a bath mixer showing our new design;

(52) **U.S. Cl.** ..... **D23/238**

FIG. 2 is a front elevational view thereof;

(58) **Field of Search** ..... D23/238–257;

FIG. 3 is top plan view thereof;

4/675–687; 137/807, 615

FIG. 4 is a left side elevational view thereof, the right side elevational view being a mirror image thereof; and,

(56) **References Cited**

FIG. 5 is a bottom plan view thereof.

**U.S. PATENT DOCUMENTS**

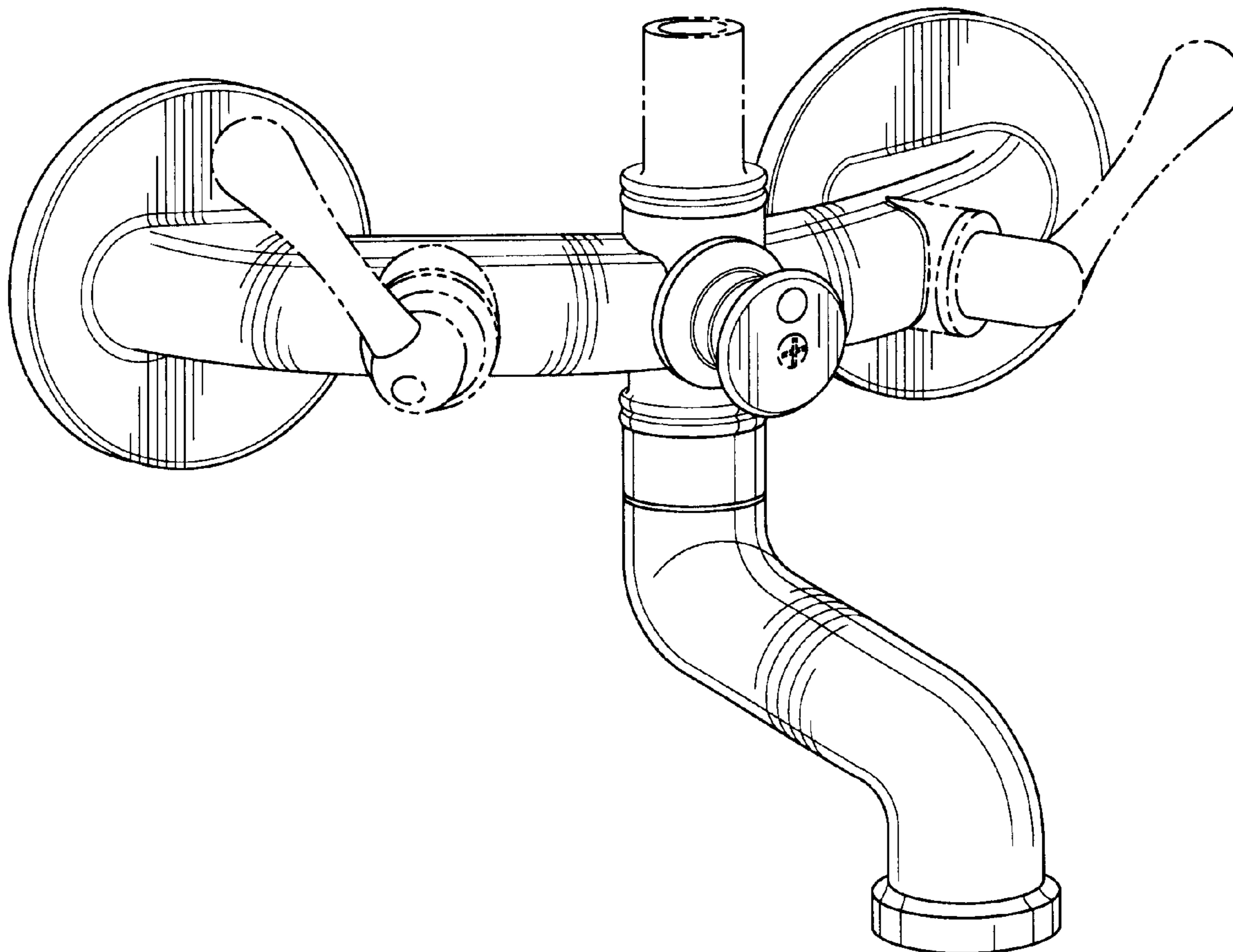
The broken lines in the Figures are for illustrative purposes only and form no part of the claimed design.

D61,953 S \* 2/1923 Hitchcock ..... D23/243

D62,864 S \* 8/1923 Benjamin ..... D23/243

D67,520 S \* 6/1925 Harper ..... D23/243

**1 Claim, 3 Drawing Sheets**



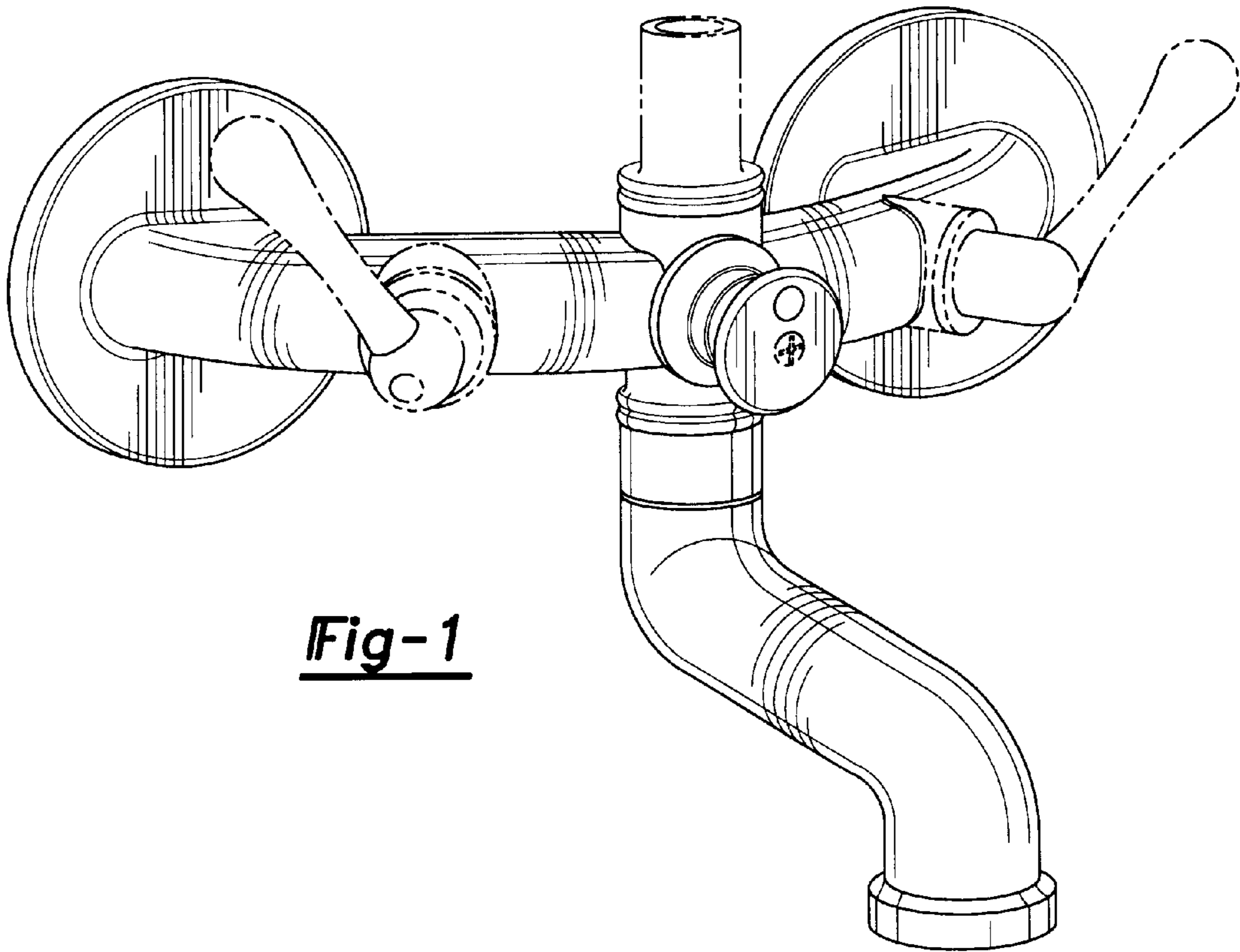


Fig-1

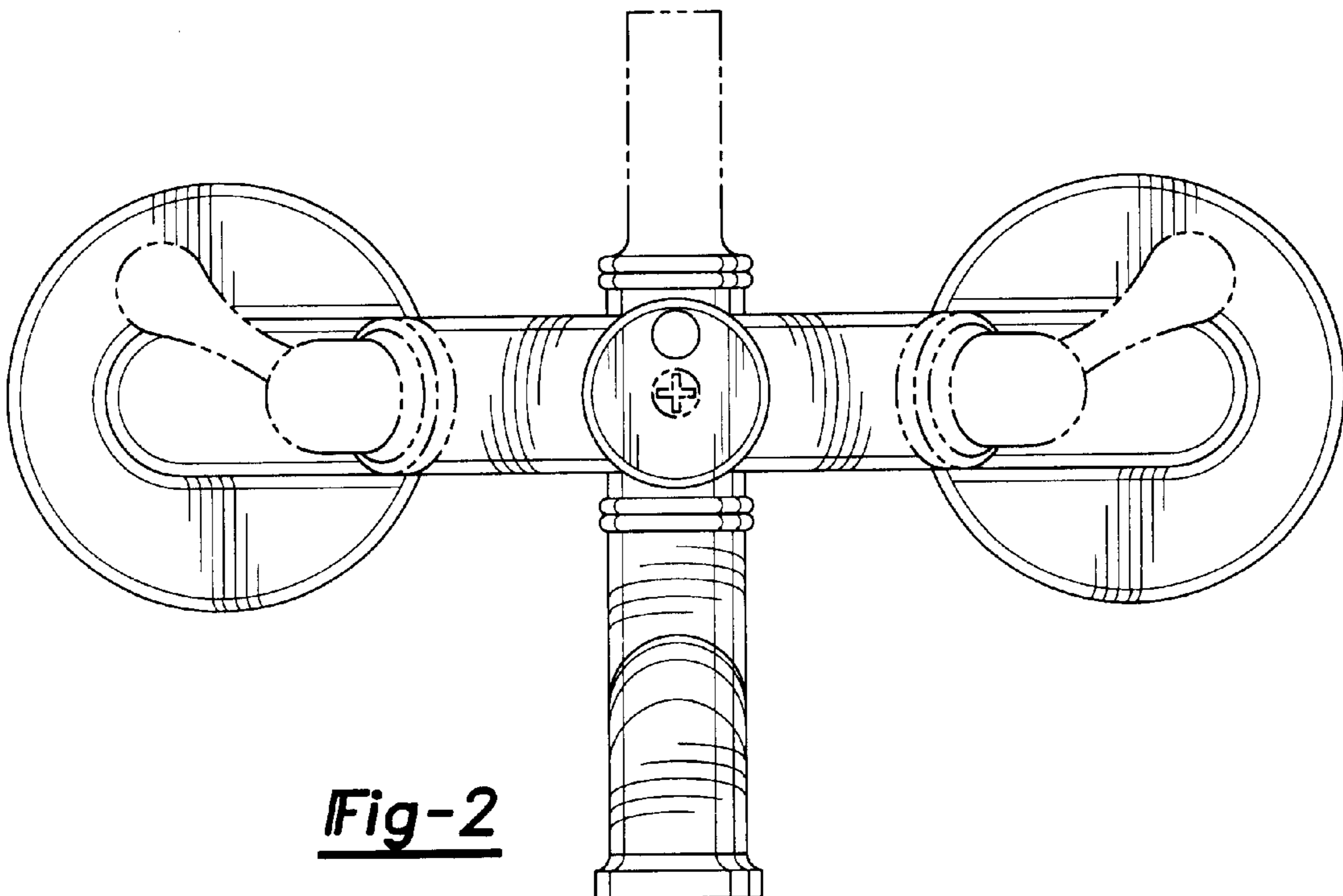


Fig-2

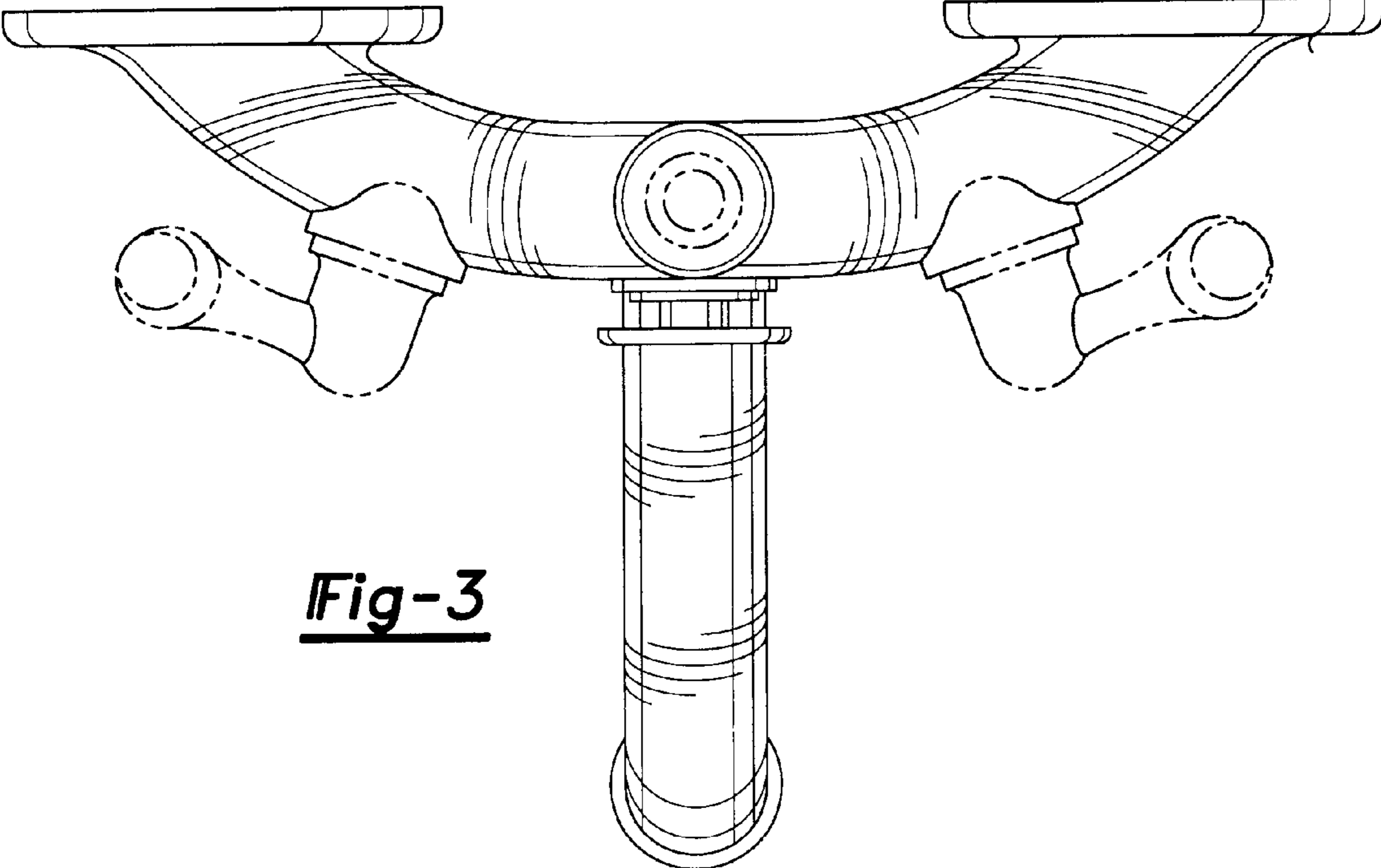


Fig-3

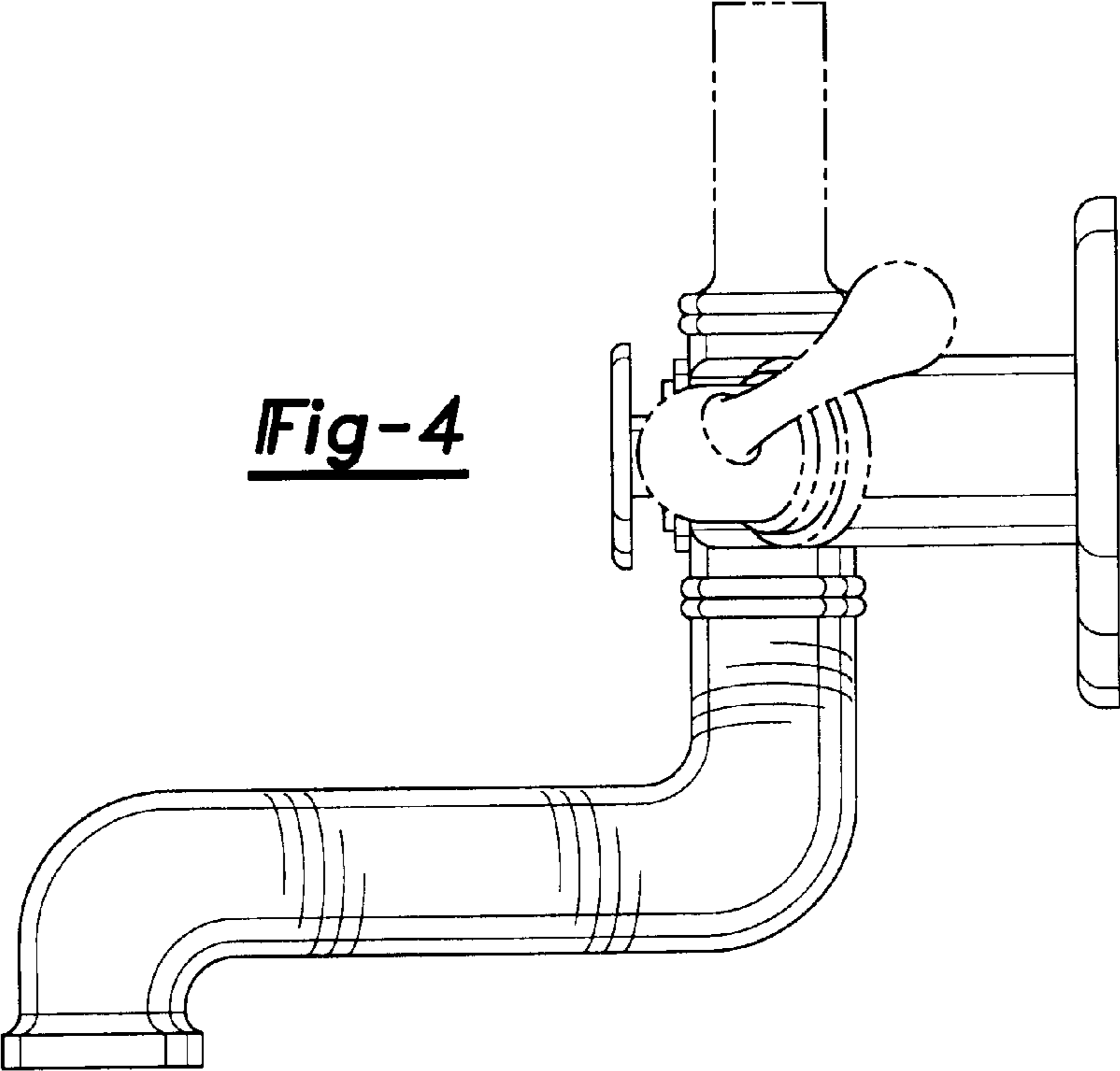


Fig-4

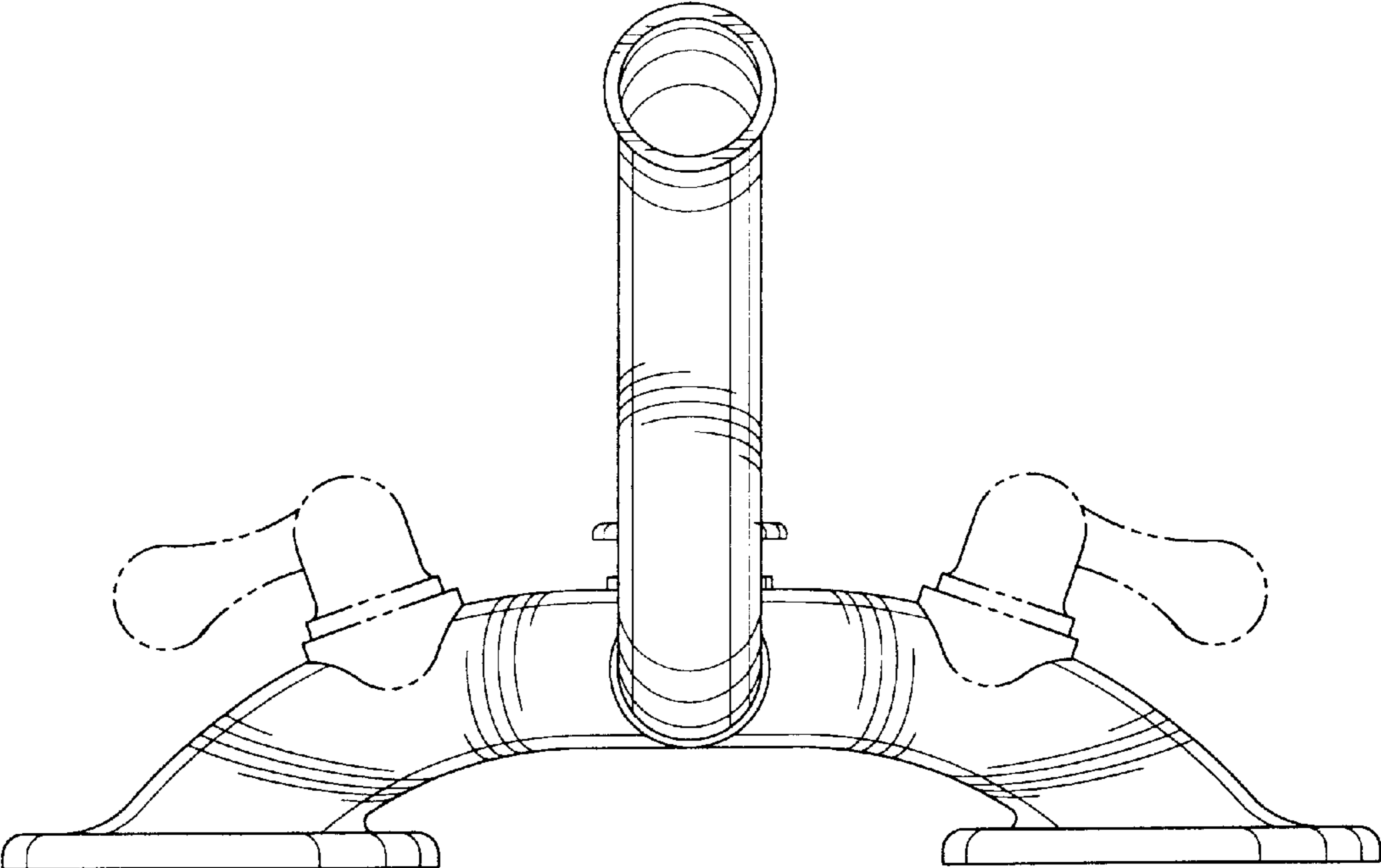


Fig-5