



US00D509881S

(12) **United States Design Patent**
Waltrip

(10) **Patent No.: US D509,881 S**

(45) **Date of Patent: ** Sep. 20, 2005**

(54) **UNIVERSAL GAMBREL**

(57) **CLAIM**

(76) **Inventor: Mark Waltrip**, 3934 Sawyer Woods Rd., Sarasota, FL (US) 34233

The ornamental design for a universal gambrel, as shown and described.

(**) **Term: 14 Years**

DESCRIPTION

(21) **Appl. No.: 29/211,385**

FIG. 1 is a perspective view of a universal gambrel showing my new design;

(22) **Filed: Aug. 16, 2004**

FIG. 2 is a front elevational view thereof;

(51) **LOC (8) Cl. 22-99**

FIG. 3 is a rear elevational view thereof;

(52) **U.S. Cl. D22/199**

FIG. 4 is a top plan view thereof;

(58) **Field of Search** D22/199, 119;
294/81.56, 74, 137, 142, 81.2; 224/921,
259-260, 638, 103; 452/189, 192

FIG. 5 is a bottom plan view thereof;

FIG. 6 is a left side elevational side view, the opposite side being a mirror image thereof;

(56) **References Cited**

FIG. 7 is a perspective view of a universal gambrel shown in use. The dashed lines indicate an animal for use therewith and form no part of the present invention.

U.S. PATENT DOCUMENTS

FIG. 8 is perspective view of a universal gambrel according to an alternate embodiment showing my new design;

2,710,766 A *	6/1955	Erlewine	452/192
2,716,571 A *	8/1955	Silva	452/189
3,188,130 A *	6/1965	Pietrowicz	294/74
D462,416 S *	9/2002	Dallas, Sr.	D22/199
D486,879 S *	2/2004	Powell et al.	D22/199

FIG. 9 is a front elevational view thereof;

FIG. 10 is a rear elevational view thereof;

FIG. 11 is a top plan view thereof;

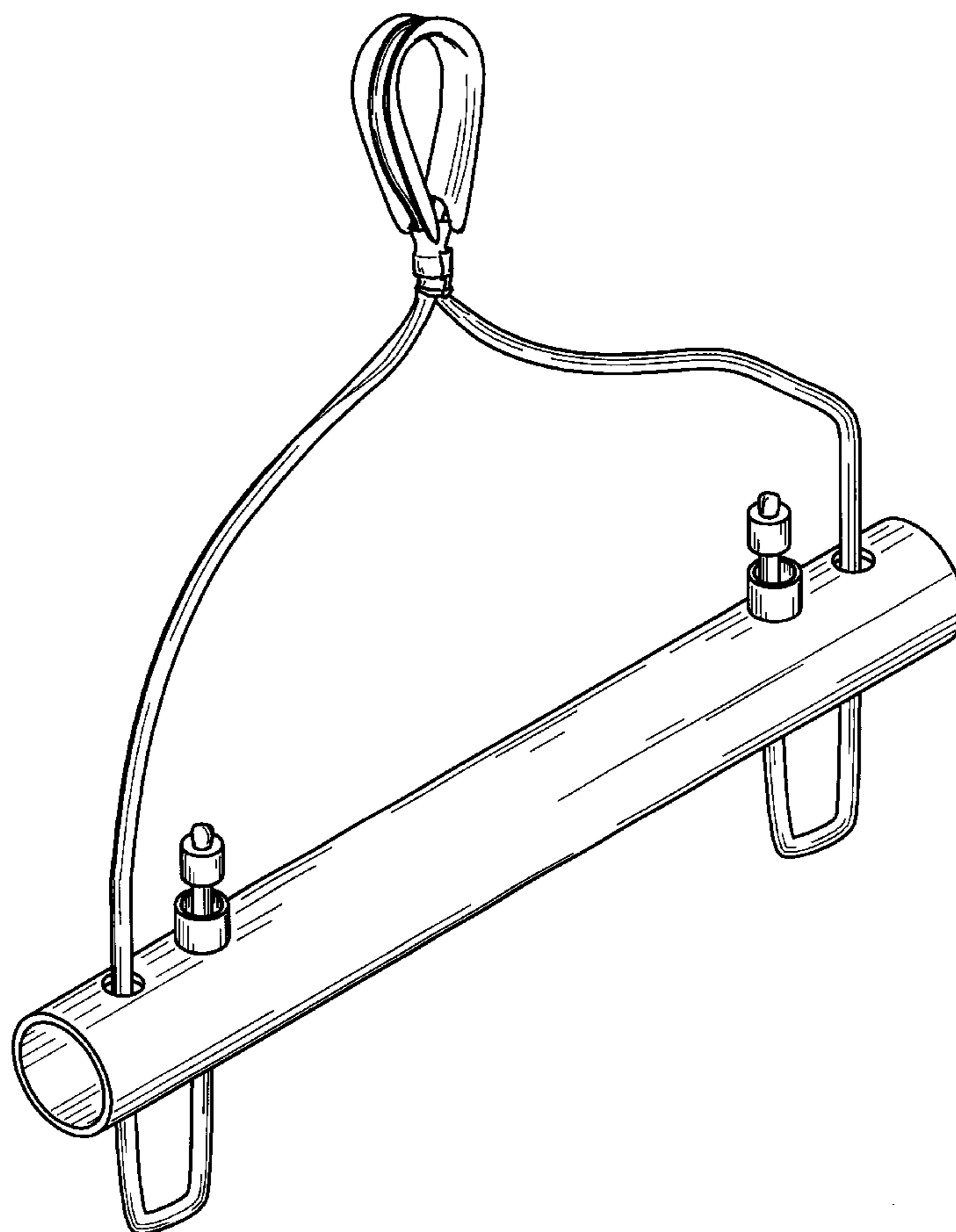
FIG. 12 is a bottom plan view; and,

FIG. 13 is a left side elevational view; the opposite side being a mirror image thereof.

* cited by examiner

Primary Examiner—Catherine R. Oliver

1 Claim, 7 Drawing Sheets



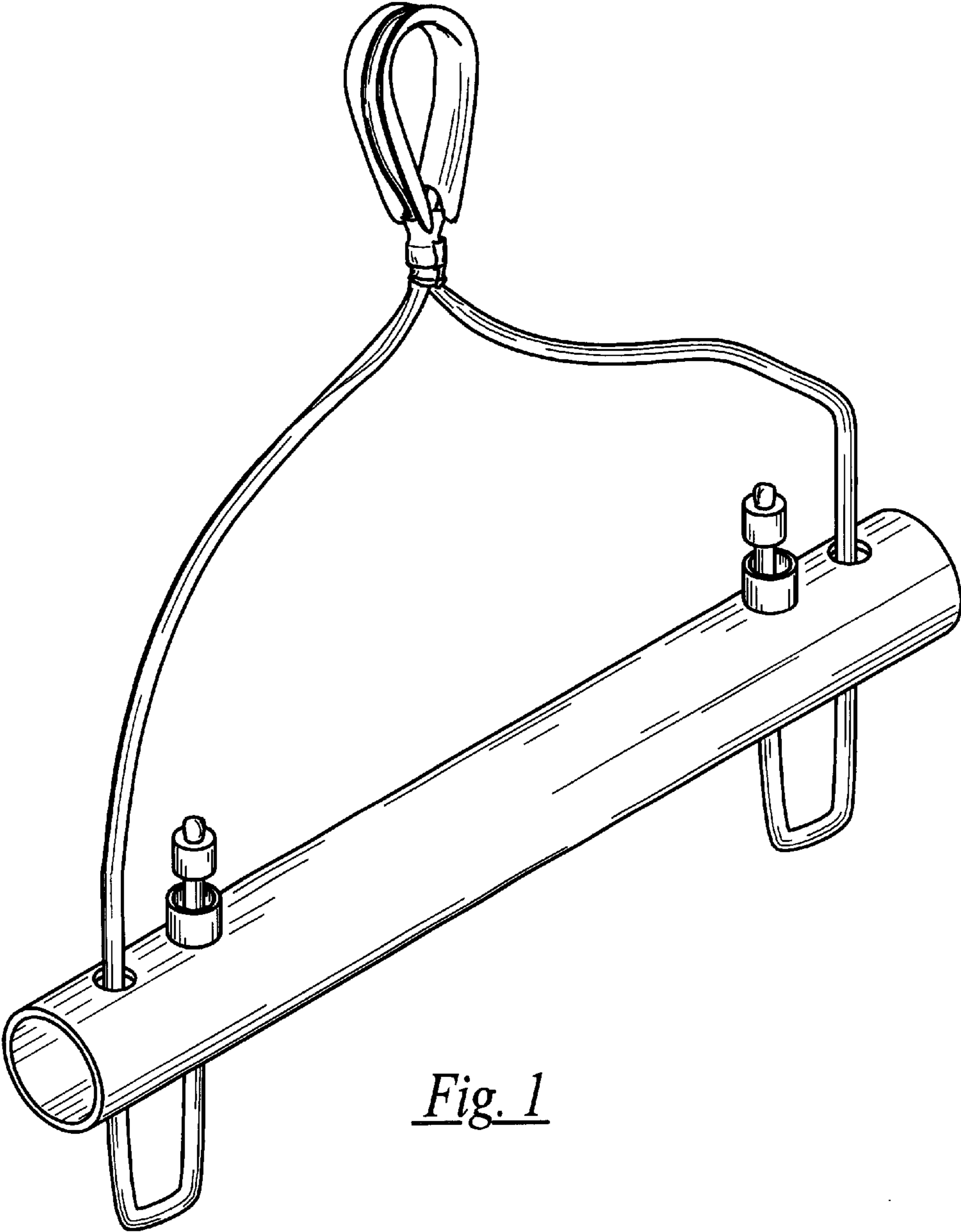


Fig. 1

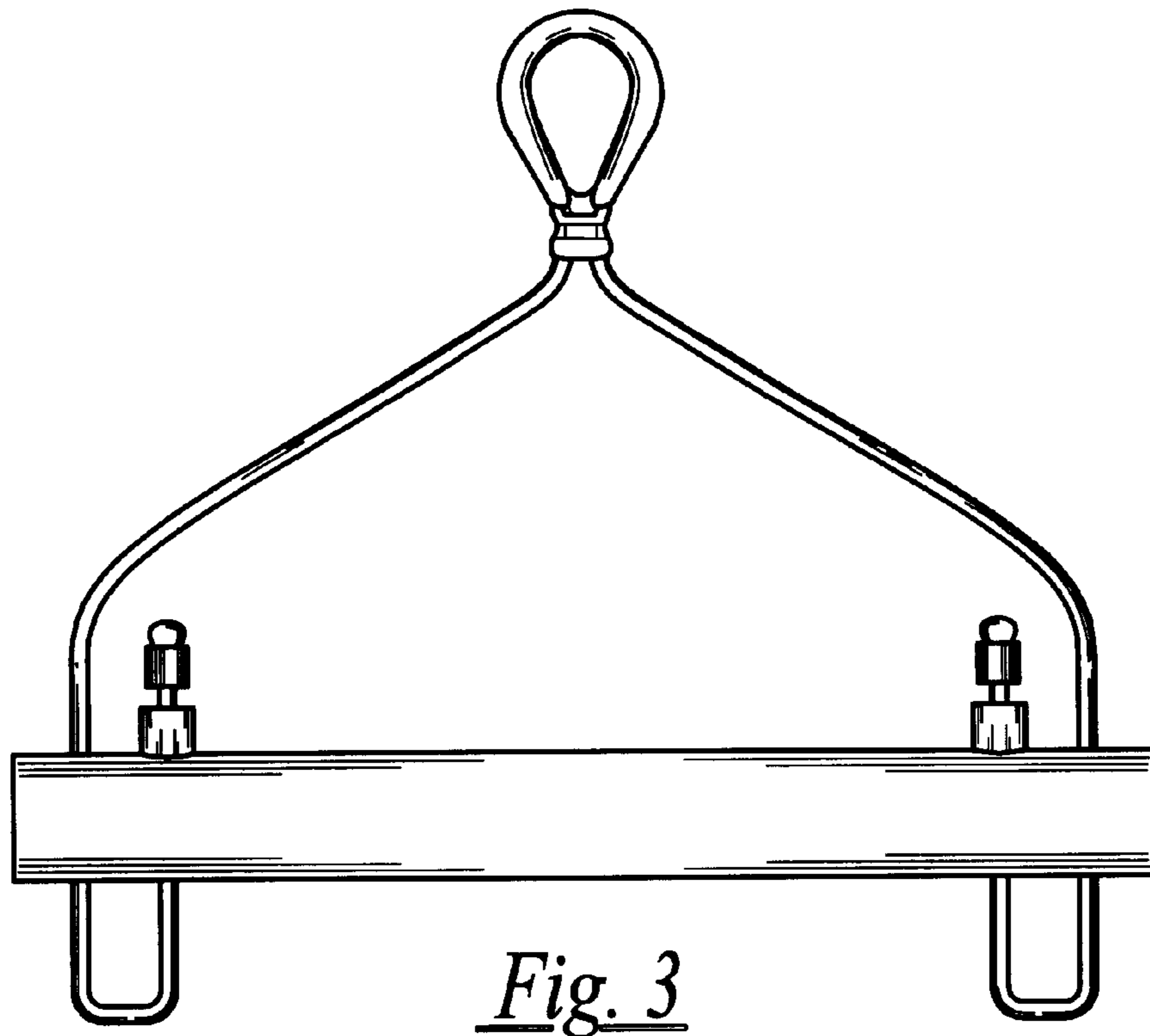
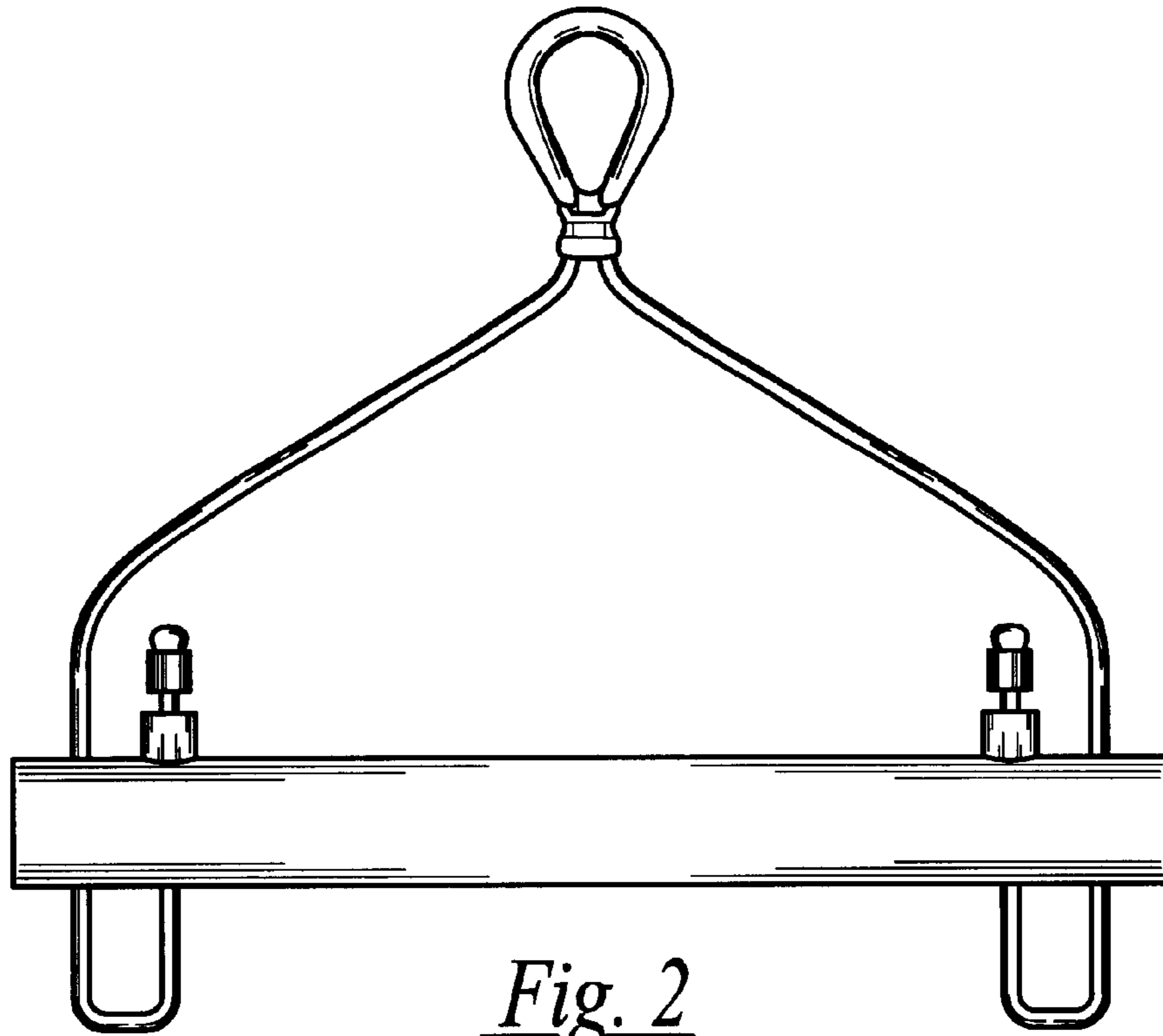




Fig. 4



Fig. 5

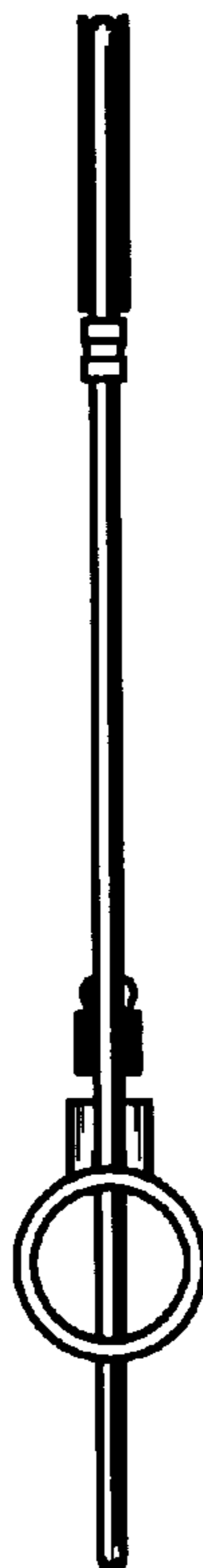


Fig. 6

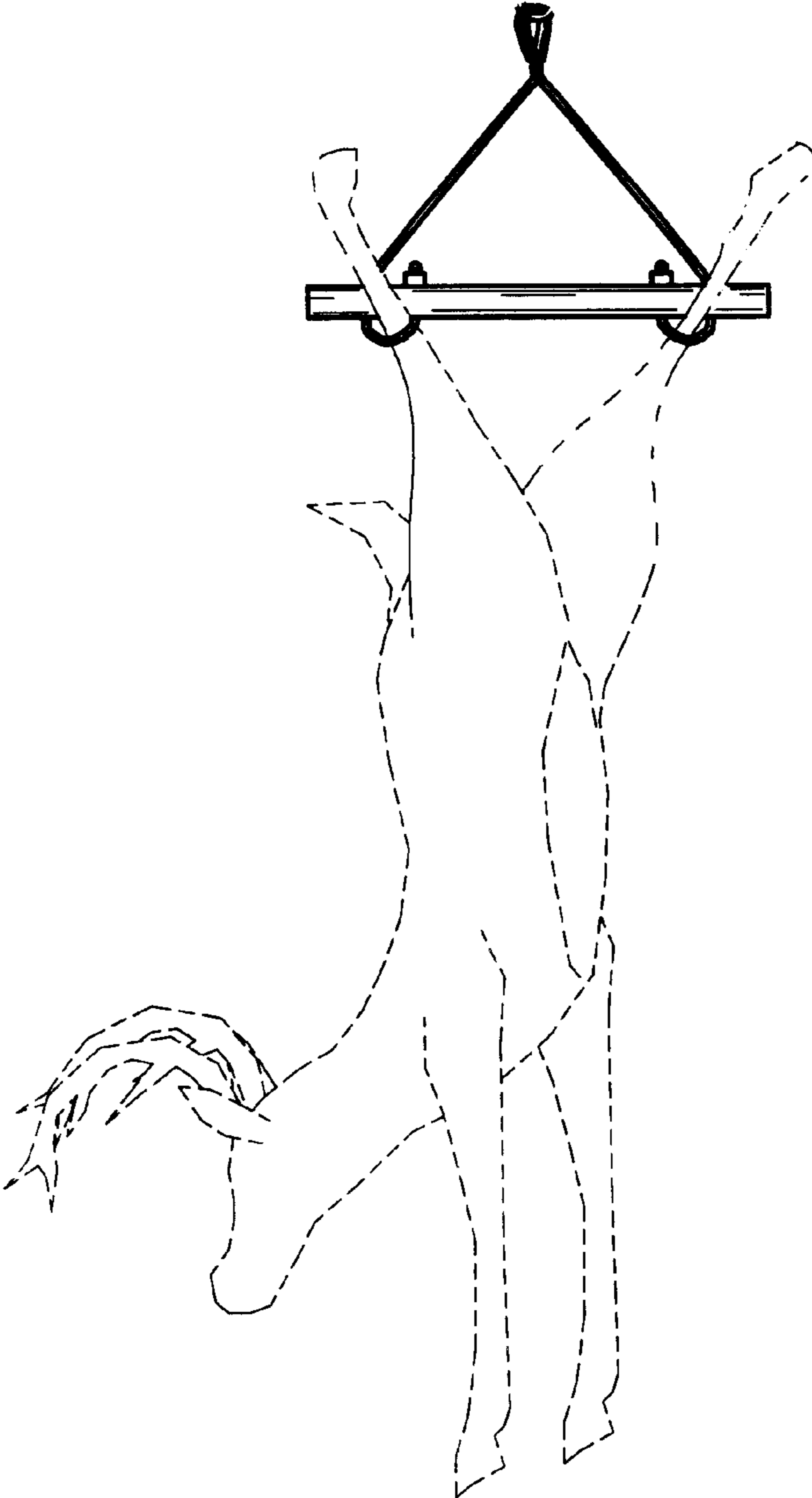


Fig. 7

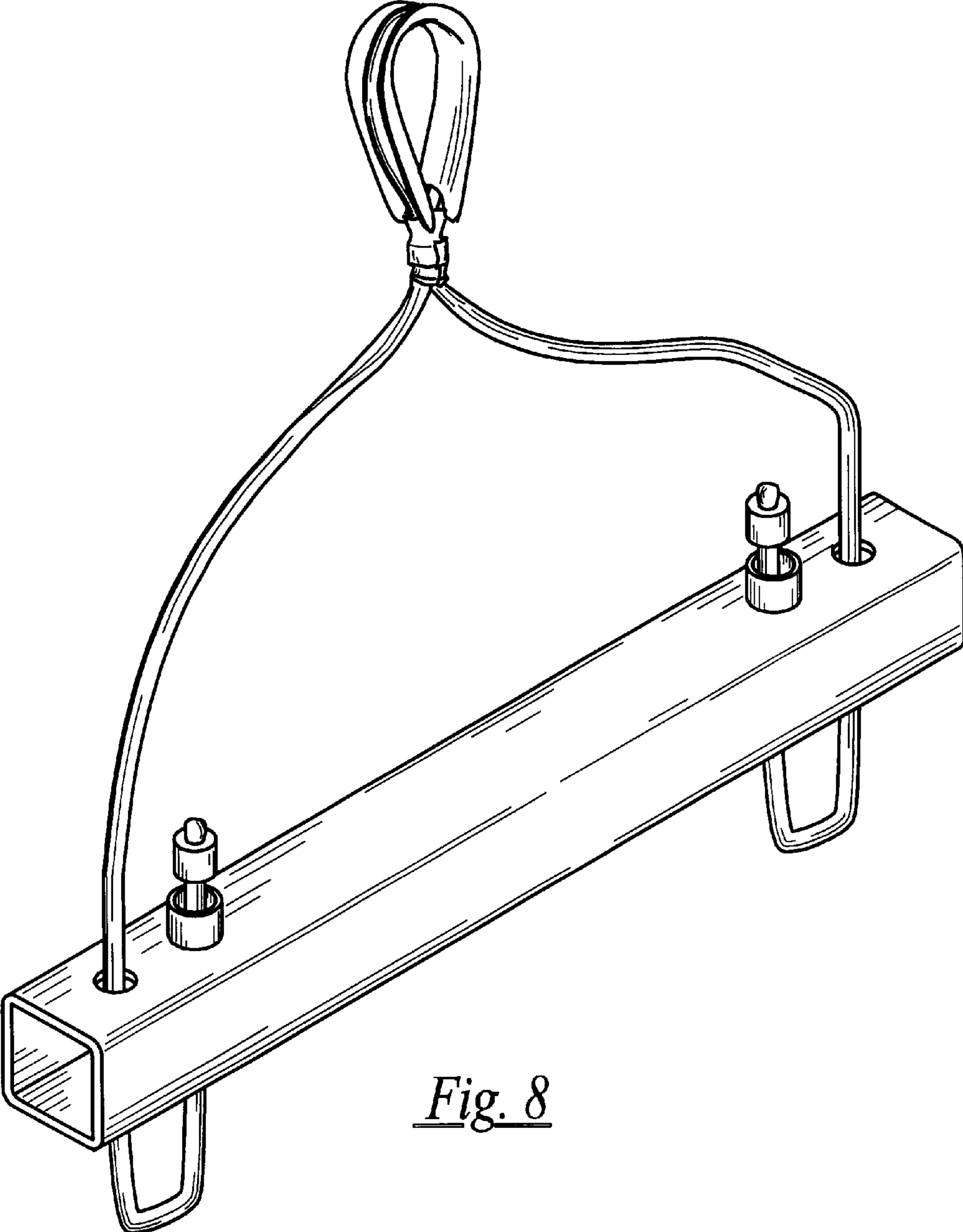
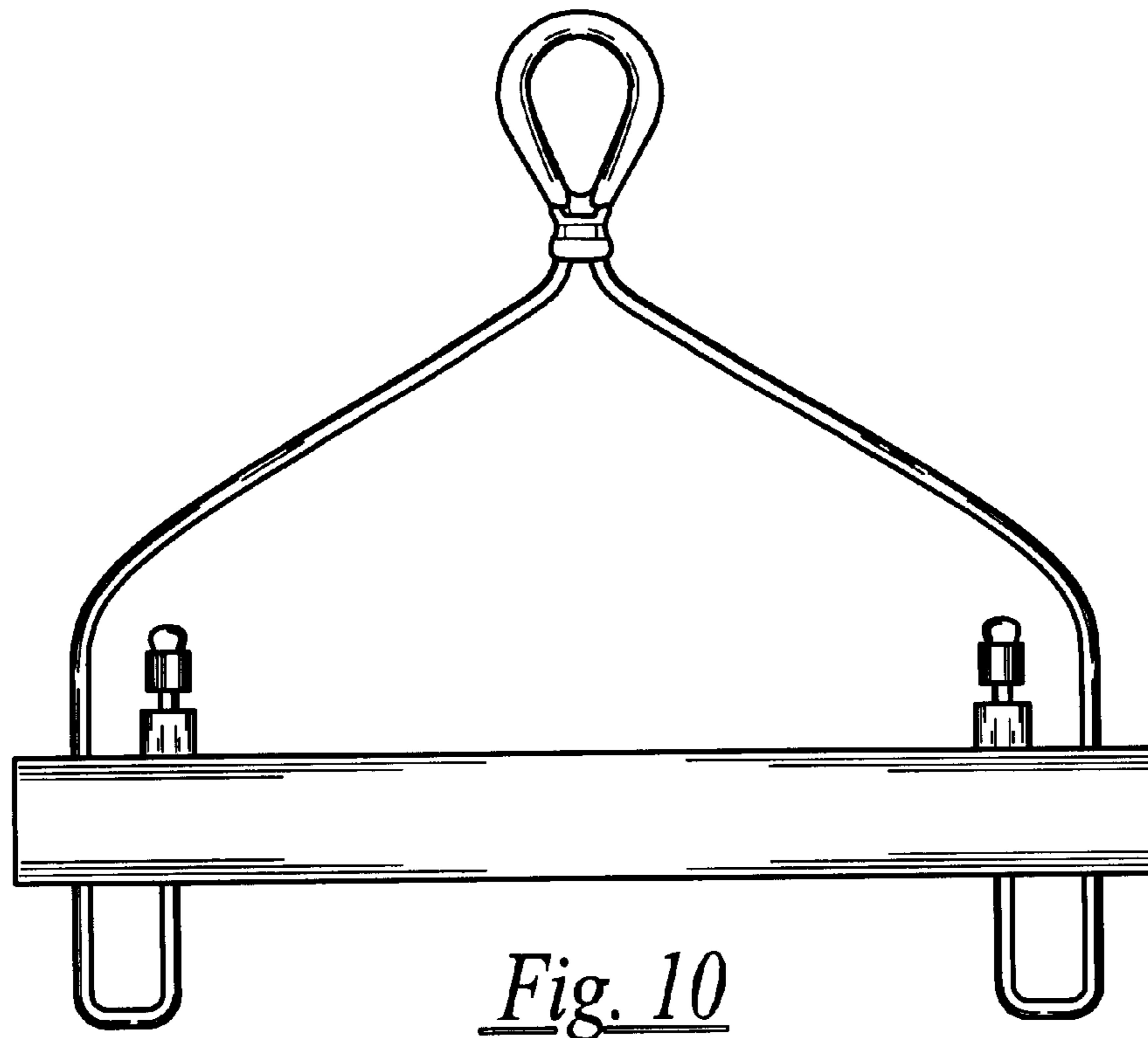
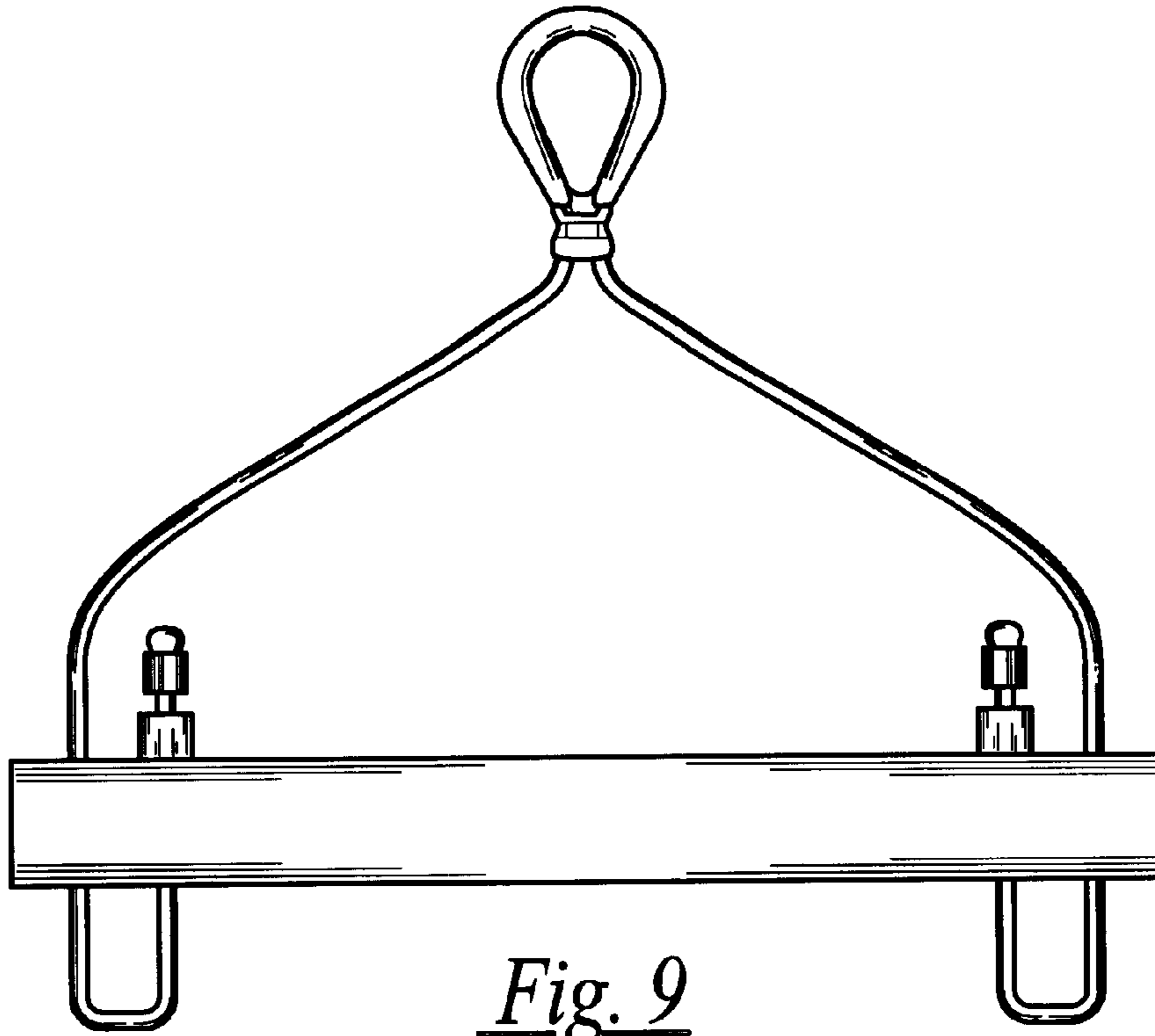


Fig. 8



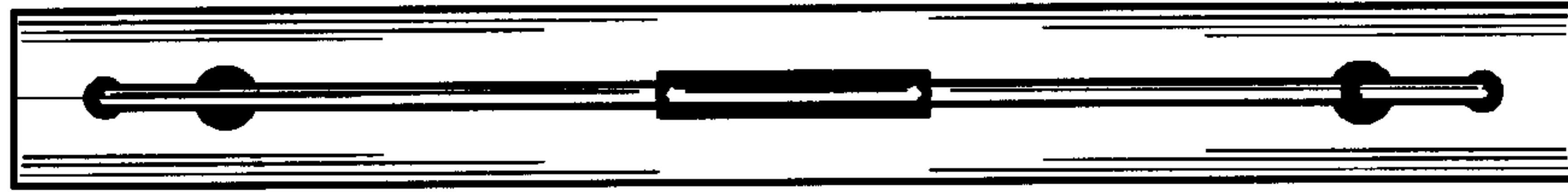


Fig. 11



Fig. 12



Fig. 13