

US00D509872S

(12) **United States Design Patent**  
**Alberti**

(10) **Patent No.:** **US D509,872 S**

(45) **Date of Patent:** **\*\* Sep. 20, 2005**

(54) **SPORTS TARGET WITH ELECTRONIC  
FEEDBACK ZONE**

(75) **Inventor:** **Michael A. Alberti**, Endicott, NY (US)

(73) **Assignee:** **Impact Sports Equipment, Inc.**,  
Cortland, NY (US)

(\*\*) **Term:** **14 Years**

(21) **Appl. No.:** **29/206,175**

(22) **Filed:** **May 27, 2004**

(51) **LOC (8) Cl.** ..... **21-02**

(52) **U.S. Cl.** ..... **D21/780; D21/699**

(58) **Field of Search** ..... D21/302-307,  
D21/698, 699, 705, 706, 780; 473/415-464,  
467, 468, 471, 476, 478; 273/317.6, 348,  
348.3, 348.5, 371-374, 377, 378, 381, 404,  
407, 409, 410; 434/247, 392

(56) **References Cited**

**U.S. PATENT DOCUMENTS**

2,986,398 A *	5/1961	Oliver	.....	473/173
3,583,703 A *	6/1971	Brown et al.	.....	473/456
4,083,559 A *	4/1978	Owen, Jr.	.....	473/197
4,199,141 A	4/1980	Garcia		
4,254,952 A *	3/1981	Playter, Jr.	.....	473/197
4,275,883 A *	6/1981	Grimaldi et al.	.....	473/432
4,390,181 A	6/1983	Parish		

4,497,485 A *	2/1985	Macosko	.....	473/435
4,830,369 A	5/1989	Poitras		
4,995,607 A	2/1991	Whitfield		
5,046,729 A	9/1991	Yancey		
D322,288 S *	12/1991	Coleman	.....	D21/780
D330,920 S *	11/1992	Schaefer et al.	.....	D21/780
D350,569 S *	9/1994	Boteler	.....	D21/780
D352,326 S *	11/1994	Hsiao	.....	D21/790
5,401,016 A	3/1995	Heglund et al.		
5,419,549 A	5/1995	Galloway et al.		
6,551,205 B1	4/2003	Koelzer, Jr. et al.		

\* cited by examiner

*Primary Examiner*—Catherine Tuttle

(74) *Attorney, Agent, or Firm*—Taylor & Aust, P.C.

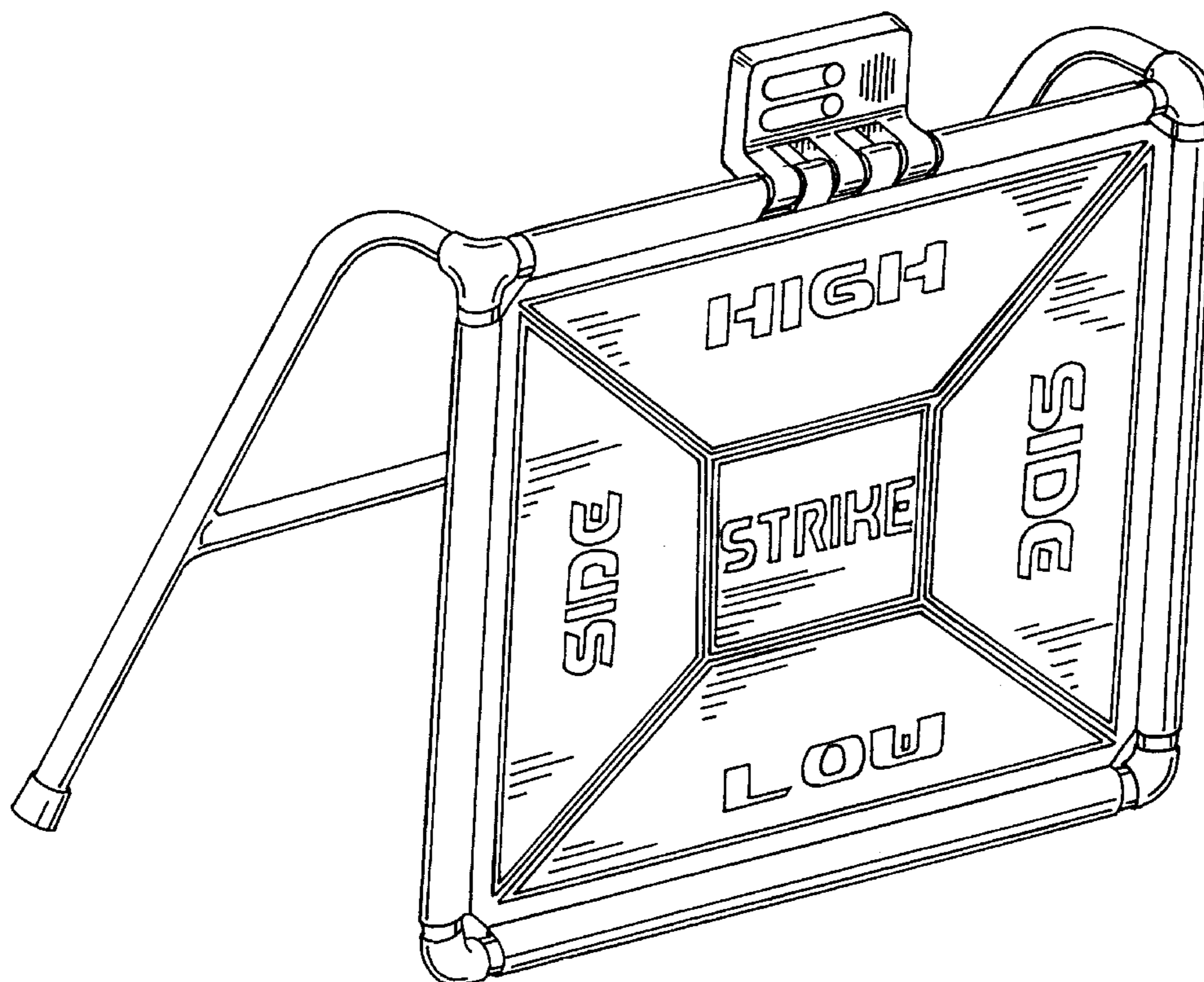
(57) **CLAIM**

The ornamental design for sports target with electronic feedback zone, as shown and described.

**DESCRIPTION**

FIG. 1 is a perspective view of a sports target with electronic feedback zone showing my new design;  
FIG. 2 is a front view thereof;  
FIG. 3 is a rear view thereof;  
FIG. 4 is a right side view thereof;  
FIG. 5 is a left side view thereof;  
FIG. 6 is a top view thereof; and,  
FIG. 7 is bottom view thereof.

**1 Claim, 4 Drawing Sheets**



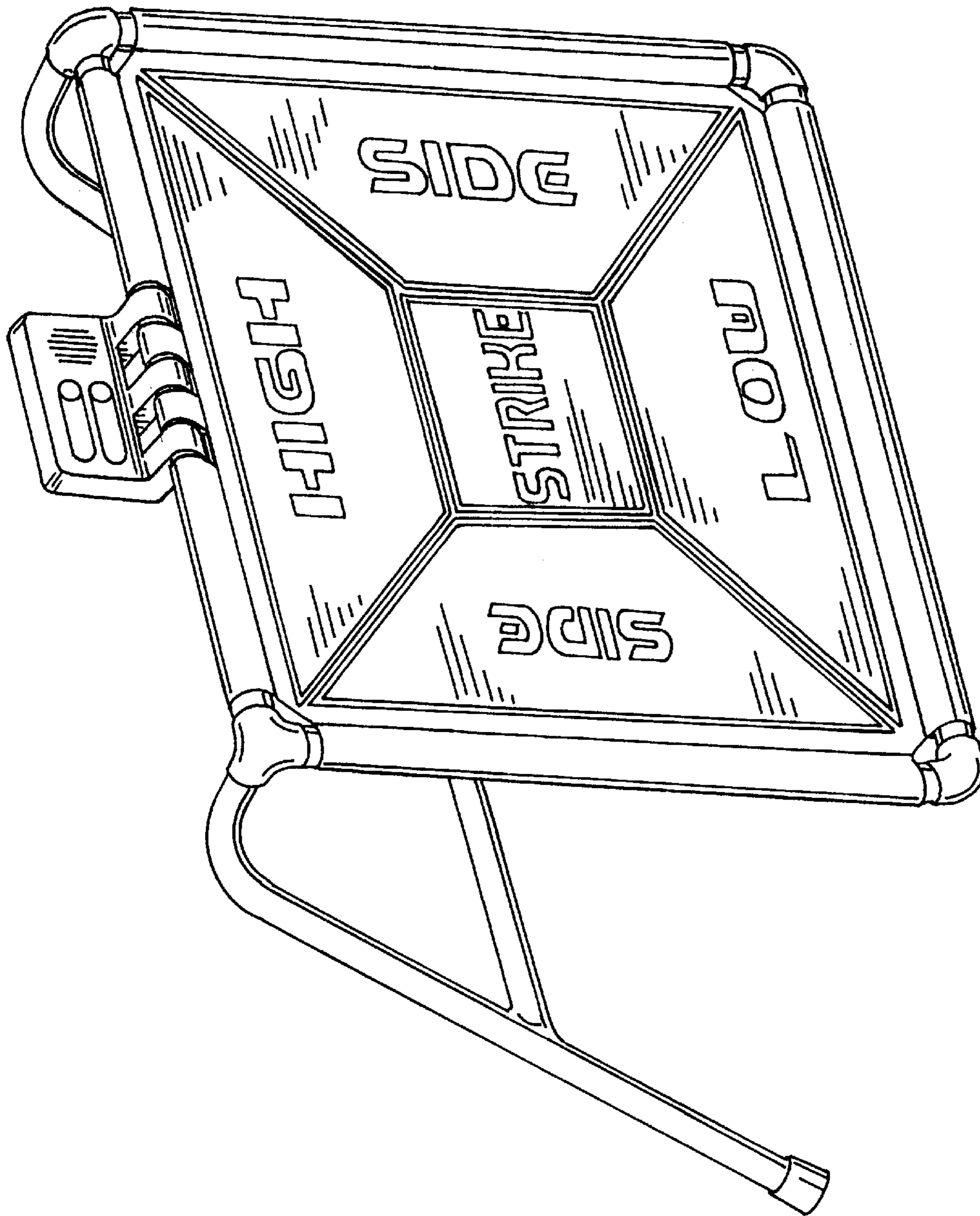


FIG. 1

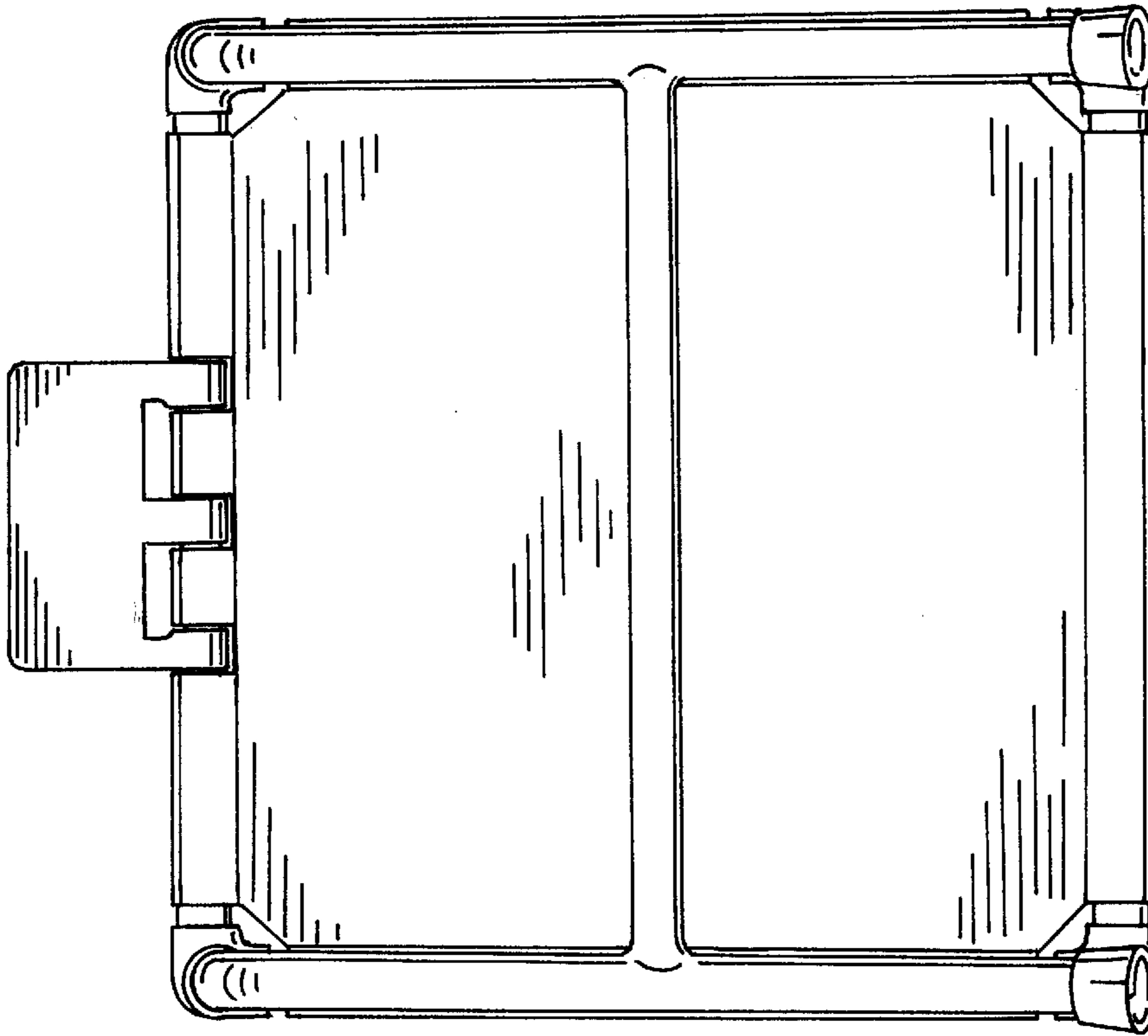


FIG. 3

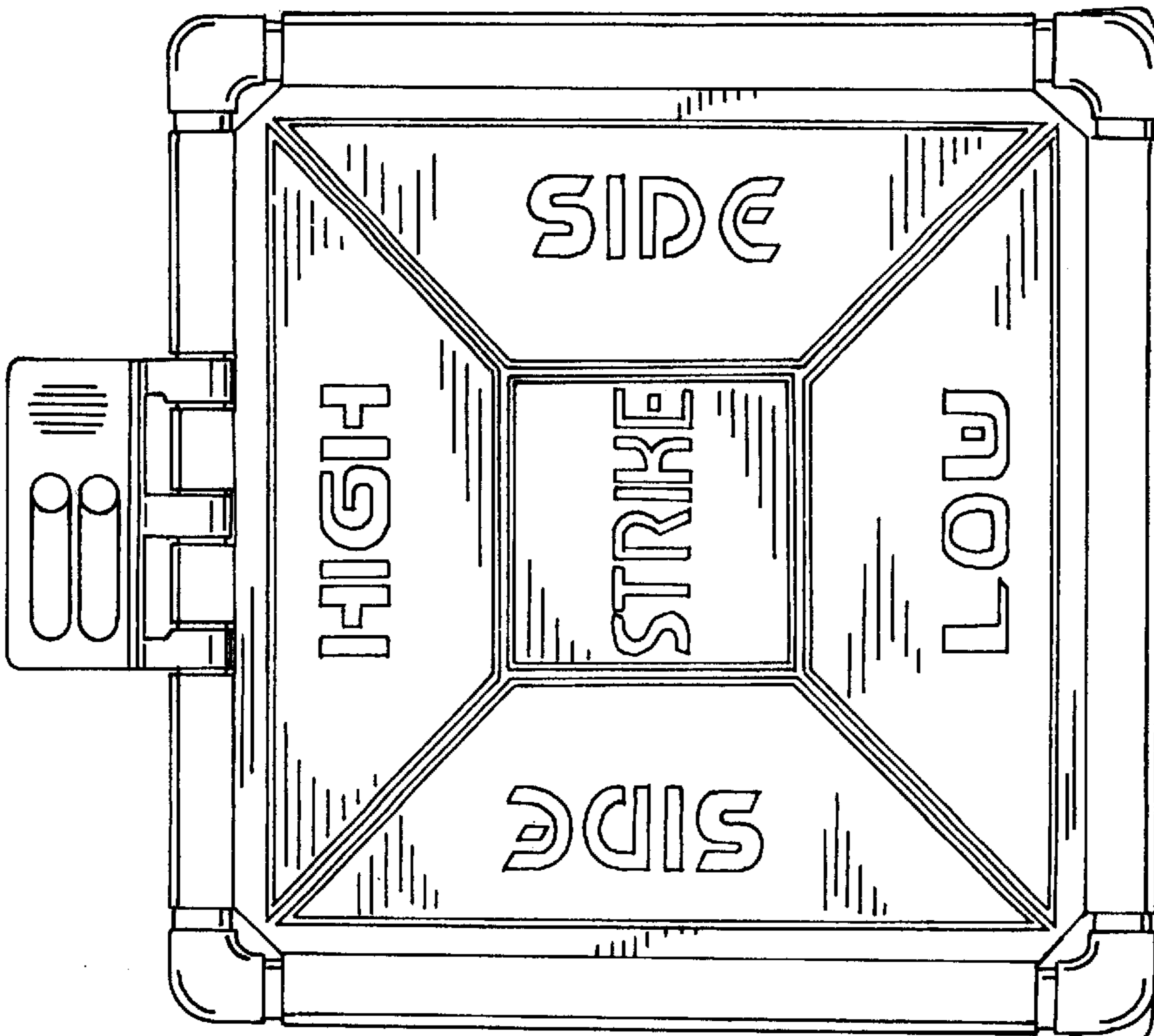


FIG. 2

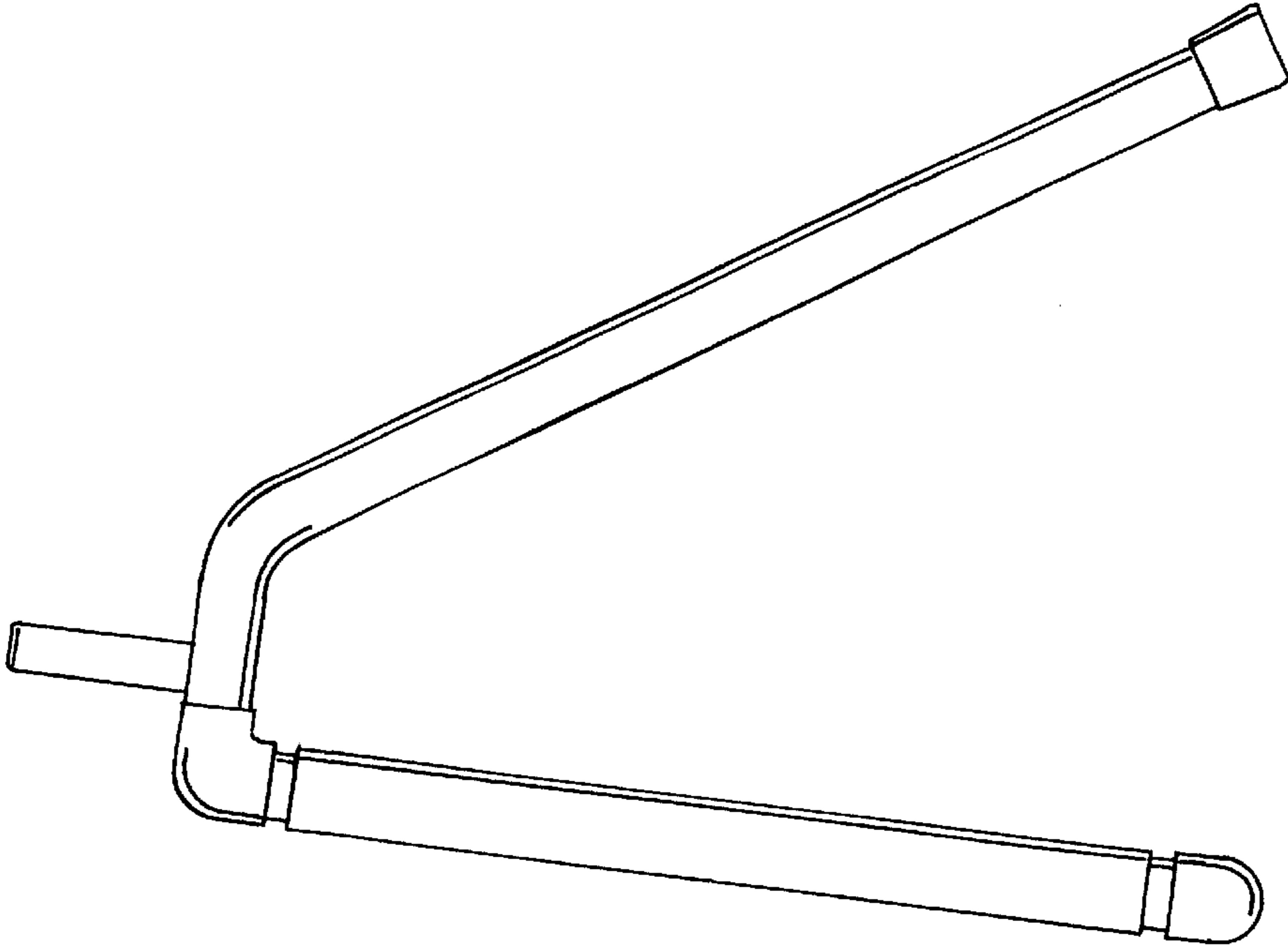


FIG. 5

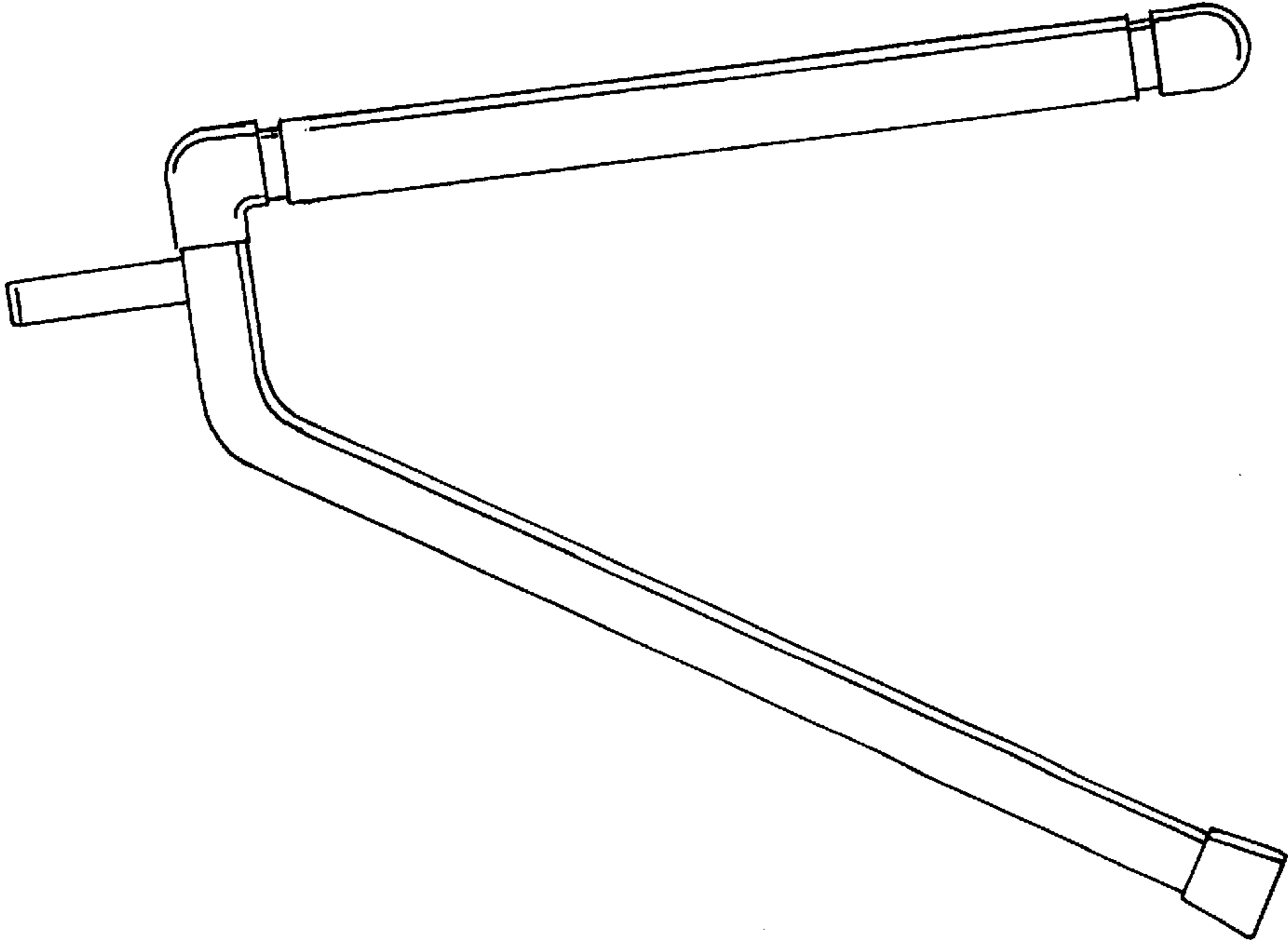


FIG. 4

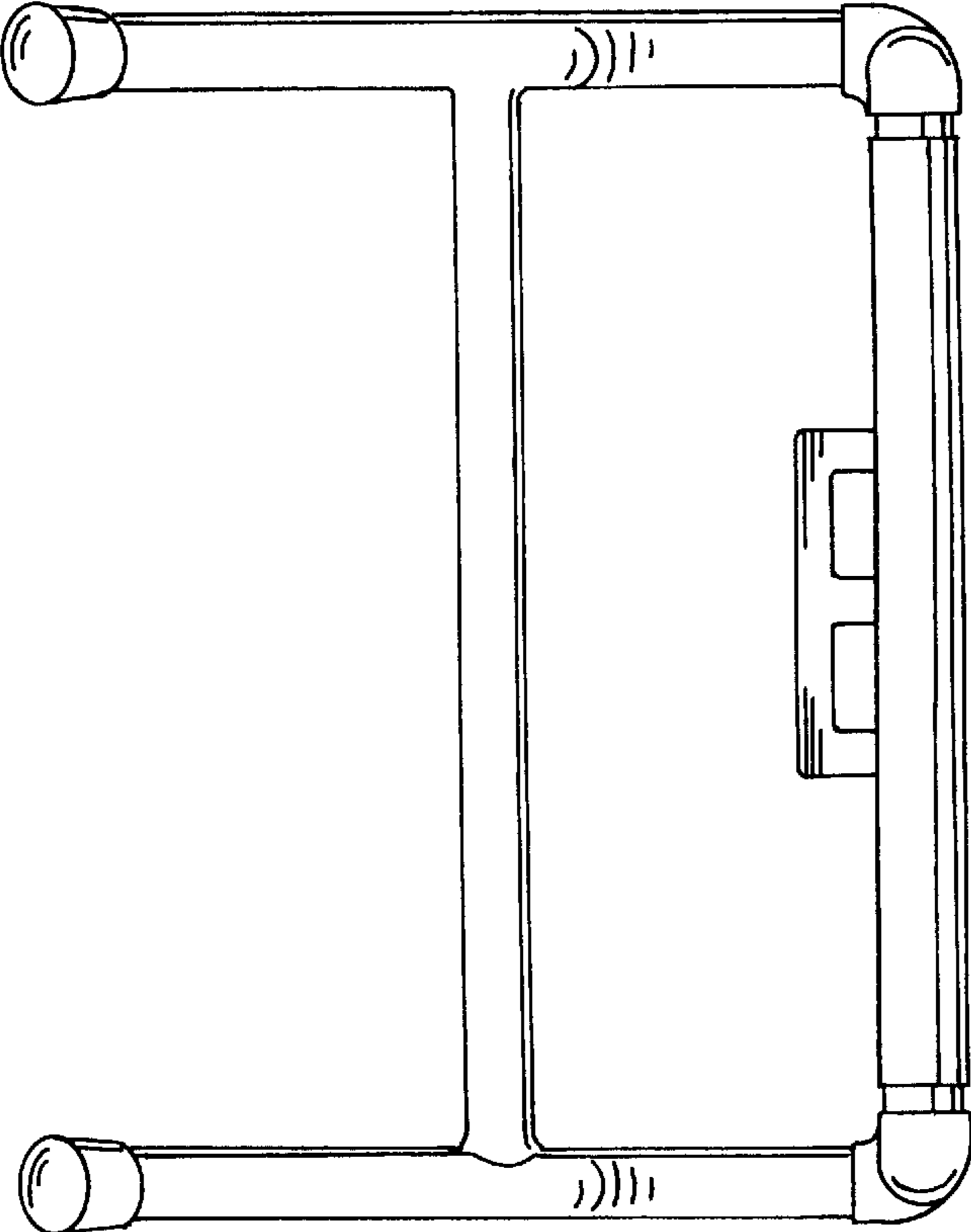


FIG. 7

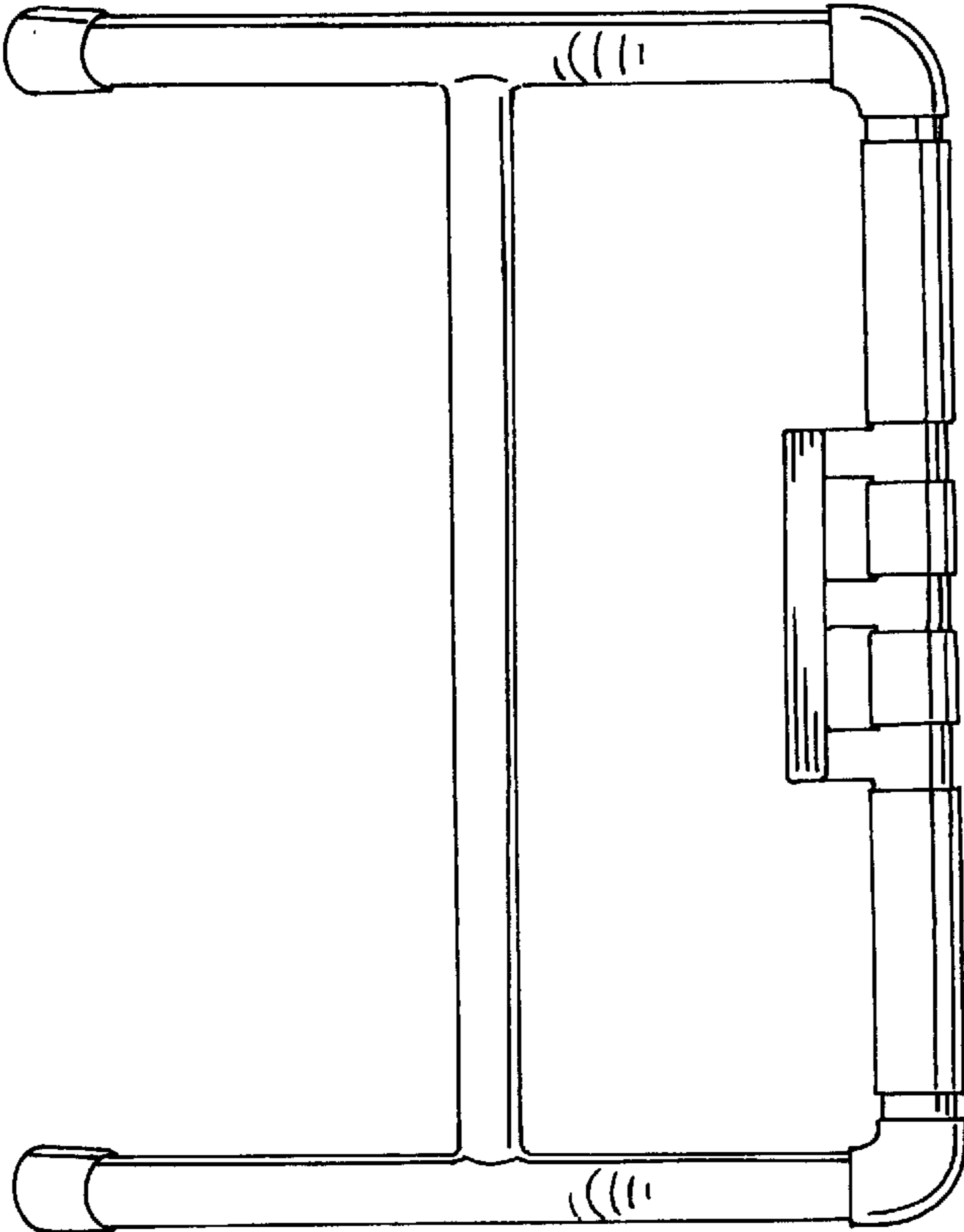


FIG. 6