

US00D509871S

(12) **United States Design Patent**  
**Lee**

(10) **Patent No.:** **US D509,871 S**  
(45) **Date of Patent:** **\*\* Sep. 20, 2005**

(54) **MOTOR BOARD**

(75) **Inventor:** **Seul Ki Lee**, 369-1, Namgajwa 2-dong,  
Seodaemun-gu, Seoul, 120-120 (KR)

(73) **Assignee:** **Seul Ki Lee**, Seoul (KR)

(\*\*) **Term:** **14 Years**

(21) **Appl. No.:** **29/201,799**

(22) **Filed:** **Mar. 19, 2004**

(51) **LOC (8) Cl.** ..... **21-02**

(52) **U.S. Cl.** ..... **D21/765**

(58) **Field of Search** ..... D21/760-771,  
D21/419, 421, 423; 280/87.041, 87.042;  
180/180, 181, 240, 237, 267, 342; 446/276,  
279, 288, 225, 457, 454, 460

(56) **References Cited**

**U.S. PATENT DOCUMENTS**

4,069,881 A	*	1/1978	Shiber	.....	180/181
4,094,372 A	*	6/1978	Notter	.....	180/181
D355,946 S	*	2/1995	Park	.....	D21/765
5,474,314 A	*	12/1995	Lehman	.....	280/87.042

D398,358 S	*	9/1998	Jeffreys	.....	D21/765
5,893,425 A	*	4/1999	Finkle	.....	280/87.042
6,050,357 A	*	4/2000	Staelin et al.	.....	180/181
6,467,560 B1	*	10/2002	Anderson	.....	180/240
6,726,523 B2	*	4/2004	Baker et al.	.....	446/279
6,796,394 B1	*	9/2004	Lin	.....	180/181

\* cited by examiner

*Primary Examiner*—Raphael Barkai

(74) *Attorney, Agent, or Firm*—Lahive & Cockfield, LLP

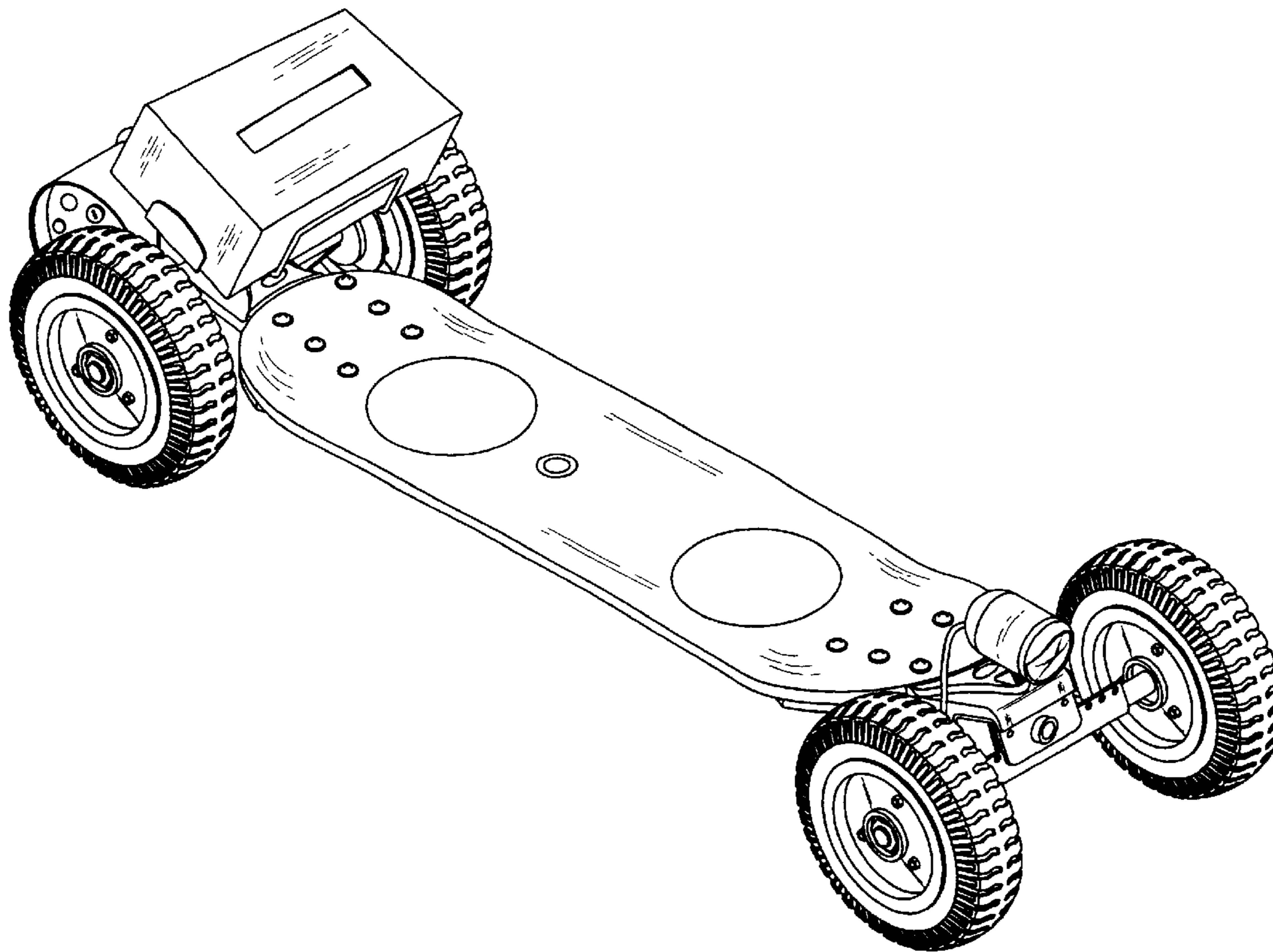
(57) **CLAIM**

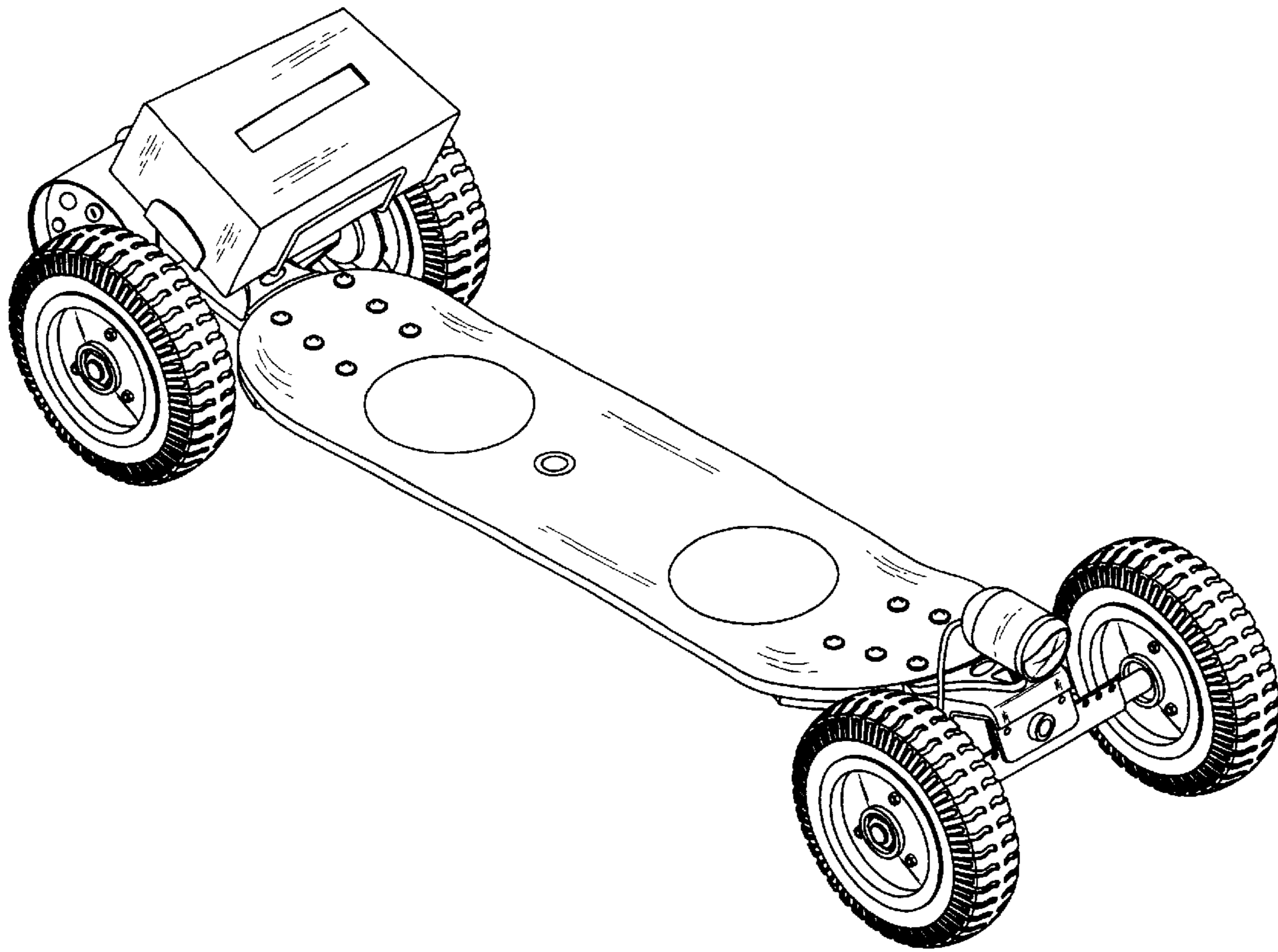
The ornamental design for a motor board, as shown.

**DESCRIPTION**

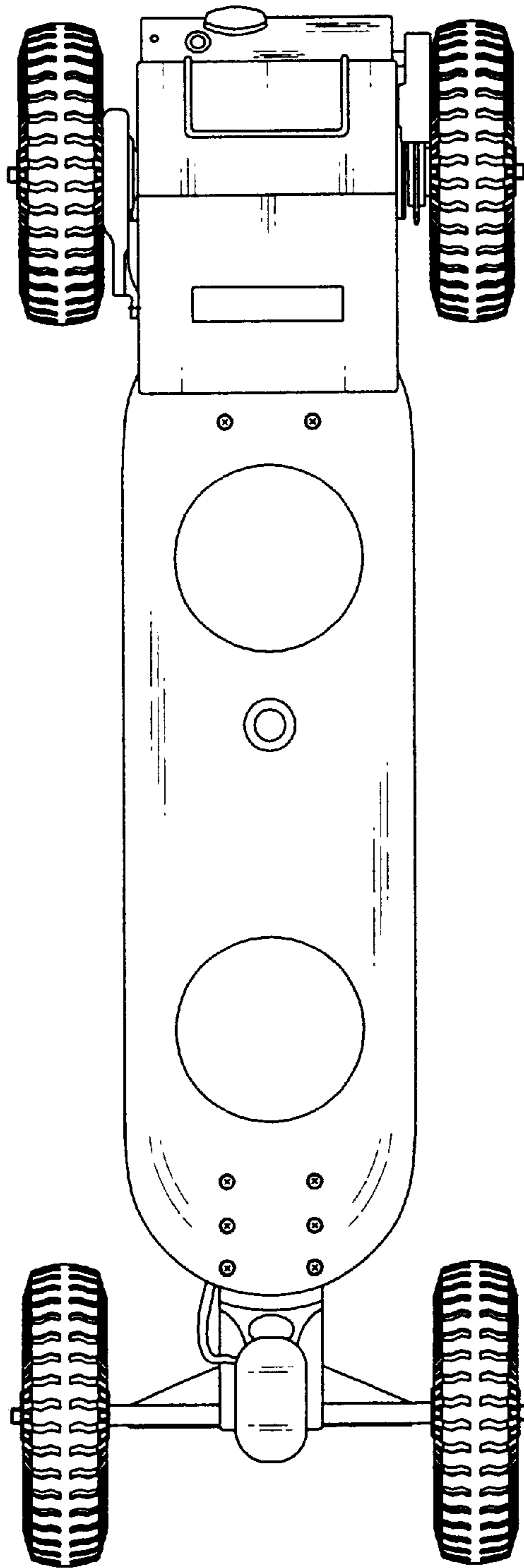
FIG. 1 is a perspective view of a motor board according to our new design;  
FIG. 2 is a top view thereof;  
FIG. 3 is a bottom view thereof;  
FIG. 4 is a left view thereof;  
FIG. 5 is a right view thereof;  
FIG. 6 is a front view thereof; and,  
FIG. 7 is a rear view thereof.

**1 Claim, 5 Drawing Sheets**

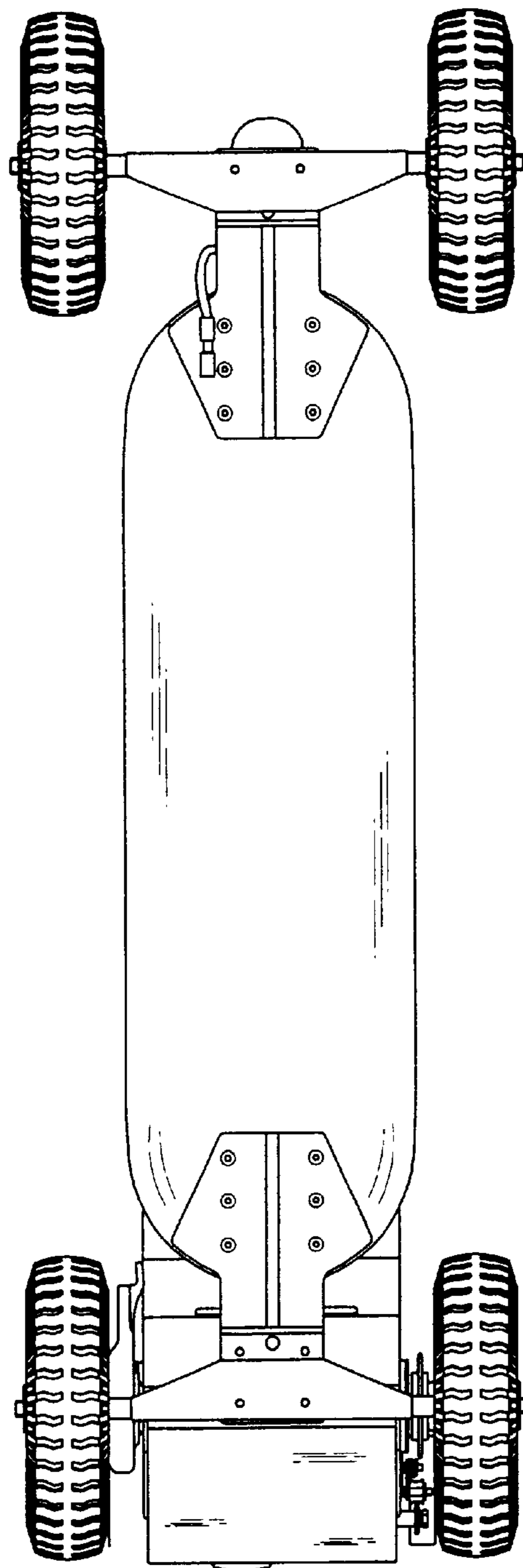




*Fig. 1*



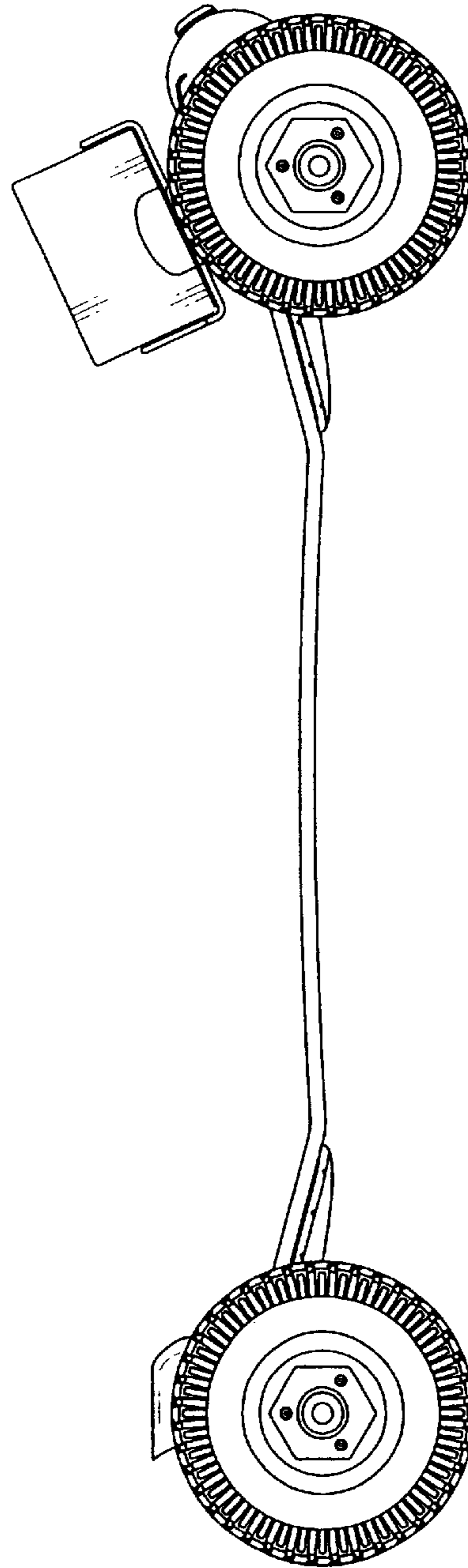
*Fig. 2*



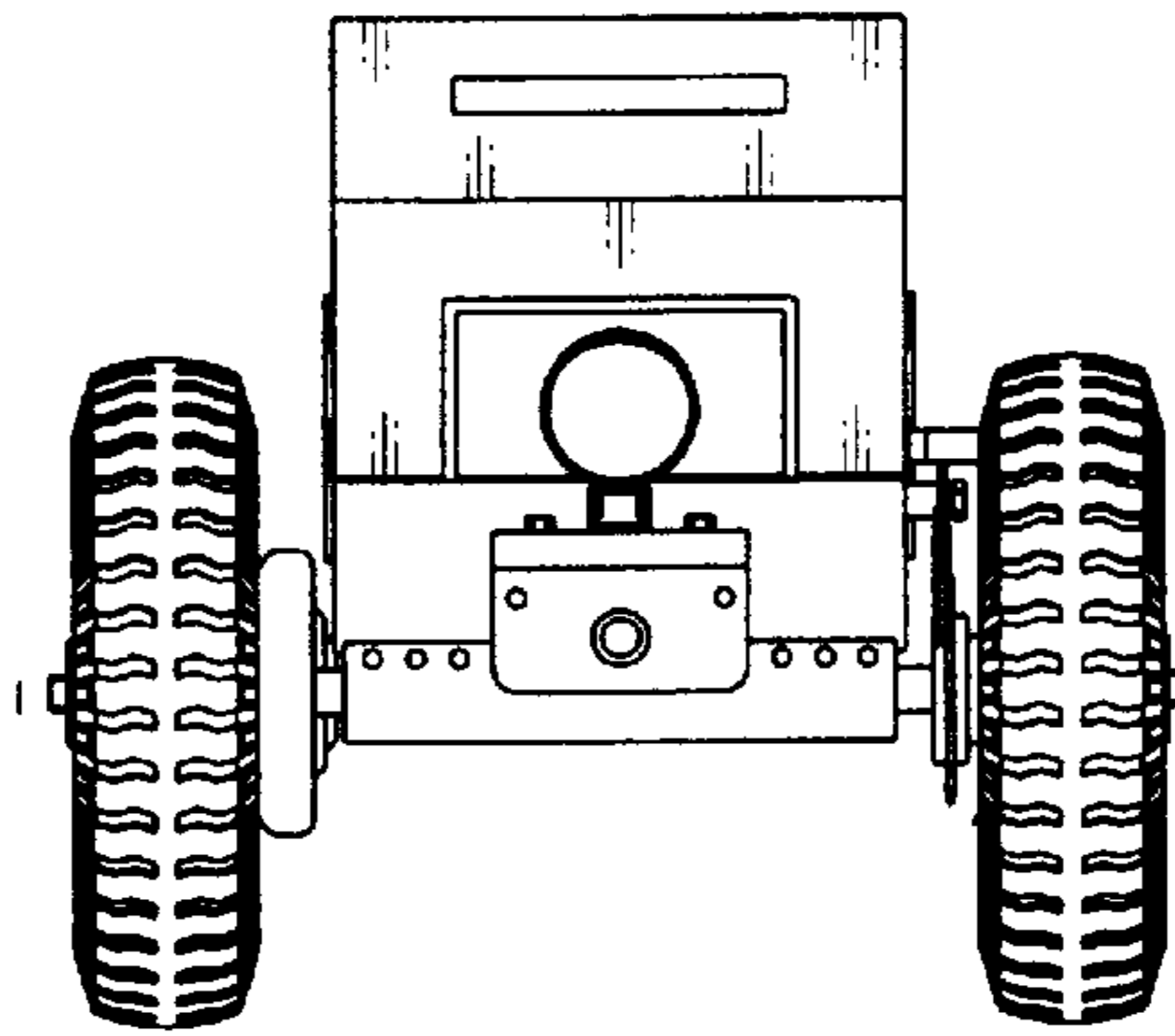
*Fig. 3*



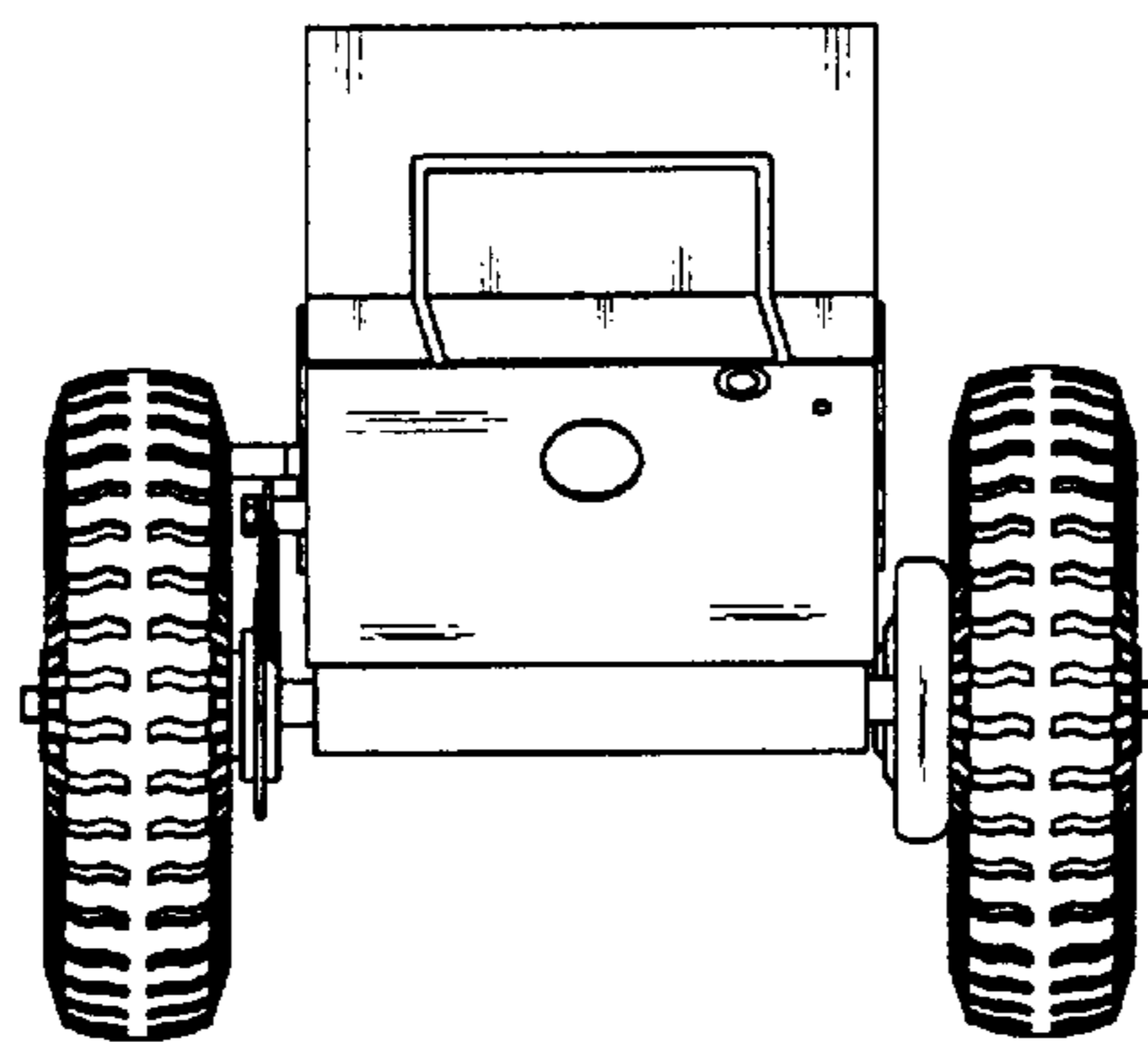
*Fig. 4*



*Fig. 5*



*Fig. 6*



*Fig. 7*