

US00D509867S

(12) **United States Design Patent**
Perry

(10) **Patent No.:** **US D509,867 S**

(45) **Date of Patent:** **** Sep. 20, 2005**

(54) **PUTTER HEAD**

D456,055 S * 4/2002 Yerelian D21/736
D456,472 S * 4/2002 Yerelian D21/736
D501,233 S * 1/2005 Thomas D21/736

(76) **Inventor:** **Dale Perry**, 15325 Live Oak Springs
Canyon Rd., Santa Clarita, CA (US)
91387

* cited by examiner

(**) **Term:** **14 Years**

Primary Examiner—Mitchell Siegel

(21) **Appl. No.:** **29/202,177**

(57) **CLAIM**

(22) **Filed:** **Mar. 26, 2004**

The ornamental design for a putter head, as shown.

(51) **LOC (8) Cl.** **21-02**

(52) **U.S. Cl.** **D21/743**

(58) **Field of Search** D21/736-746;
473/324-331, 251-256, 340, 341

DESCRIPTION

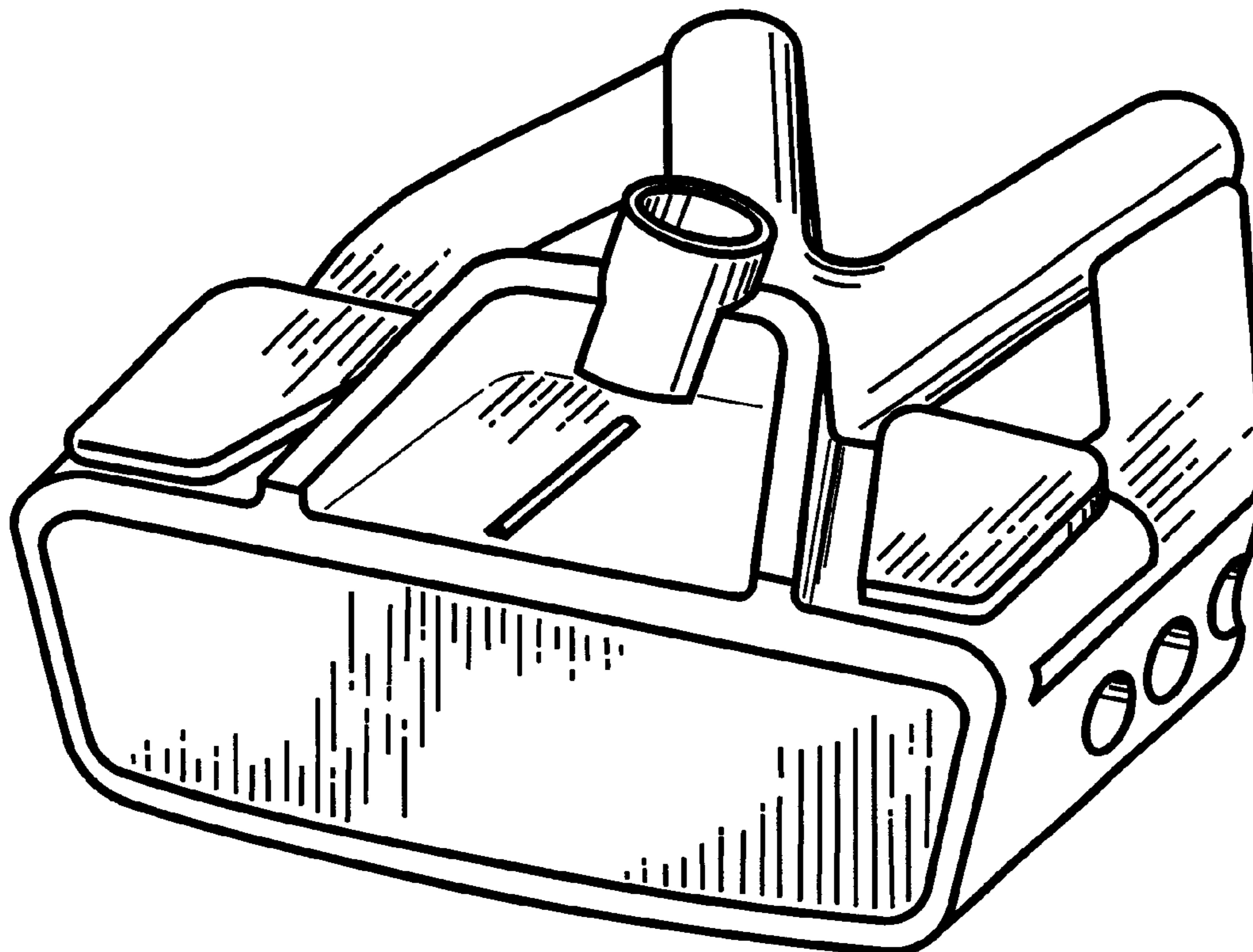
FIG. 1 is a generally perspective view of a putter head showing my new design;
FIG. 2 is a front view thereof;
FIG. 3 is a rear view thereof;
FIG. 4 is a side view thereof;
FIG. 5 is a top plan view thereof; and,
FIG. 6 is a bottom plan thereof.

(56) **References Cited**

U.S. PATENT DOCUMENTS

D359,330 S * 6/1995 Channell D21/741

1 Claim, 3 Drawing Sheets



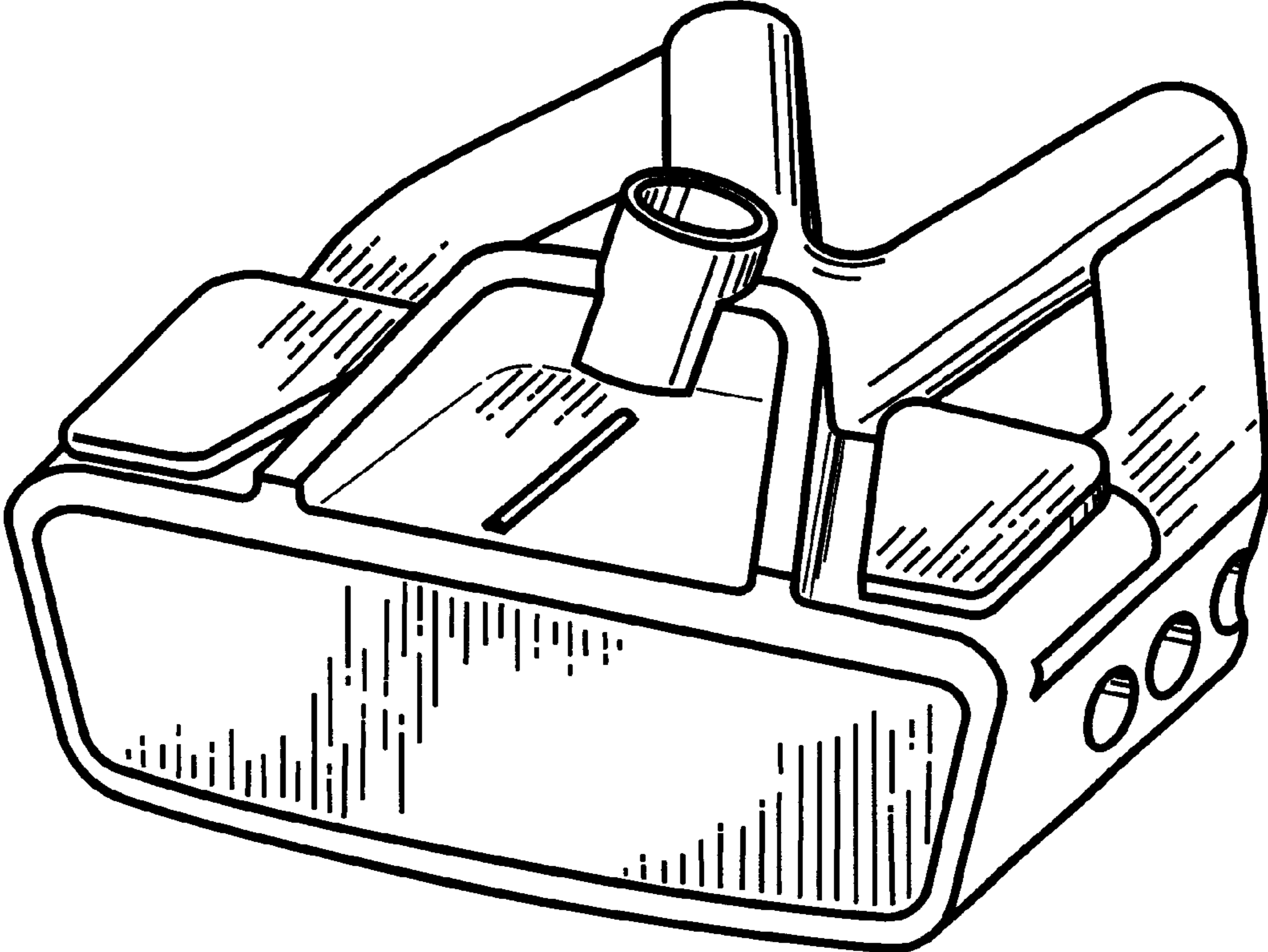


Fig. 1

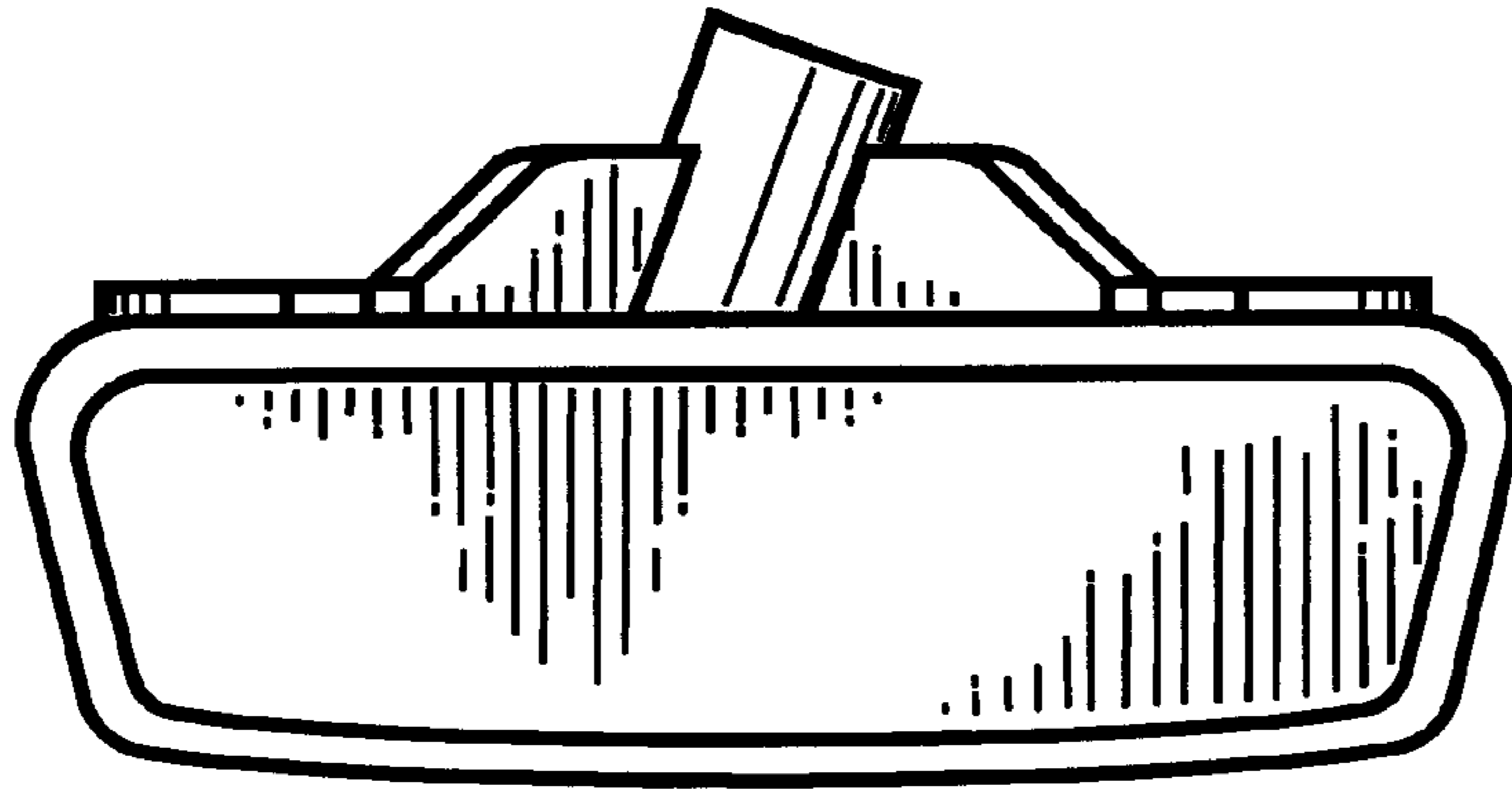


Fig. 2

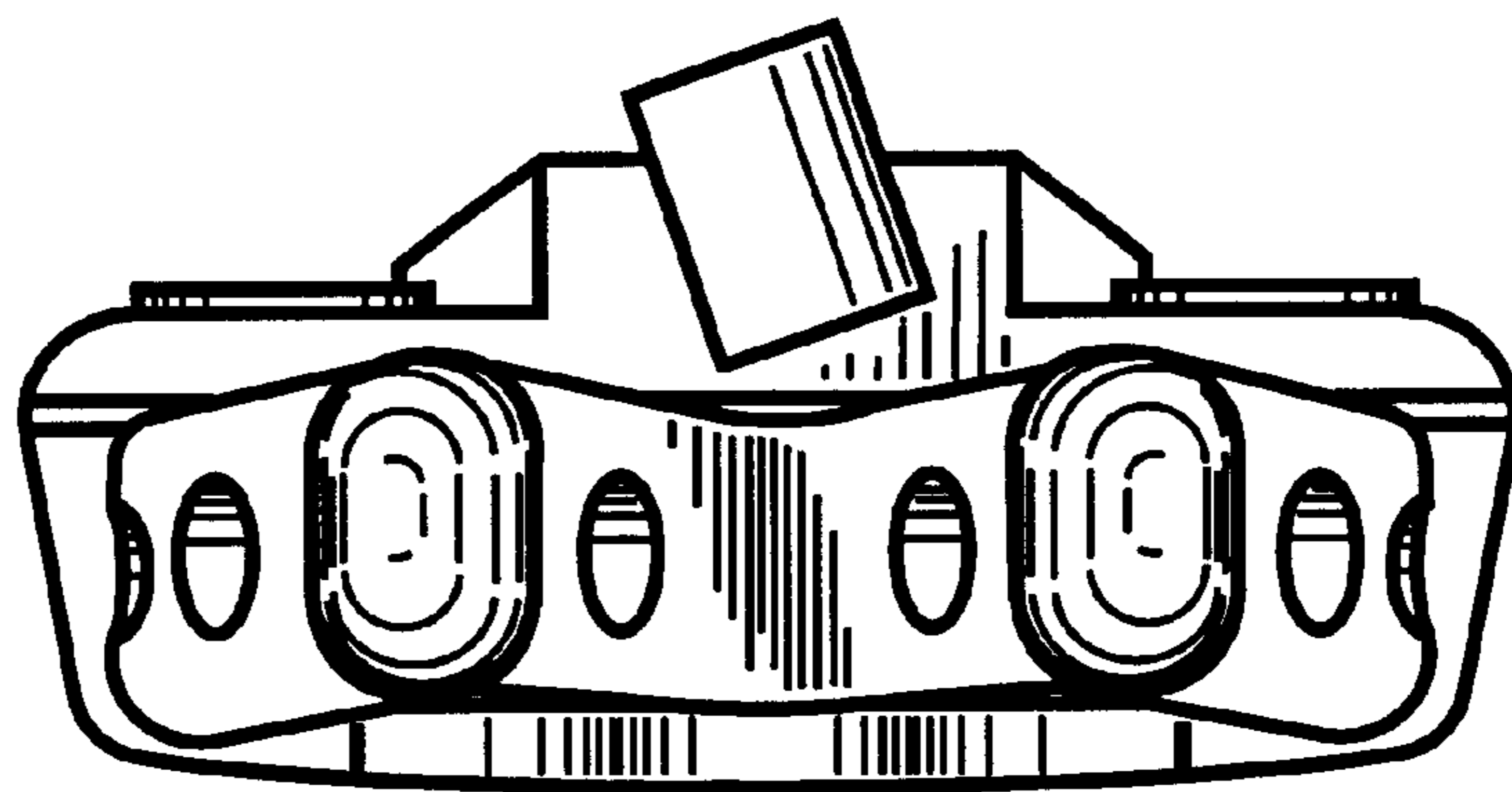


Fig. 3

Fig. 6

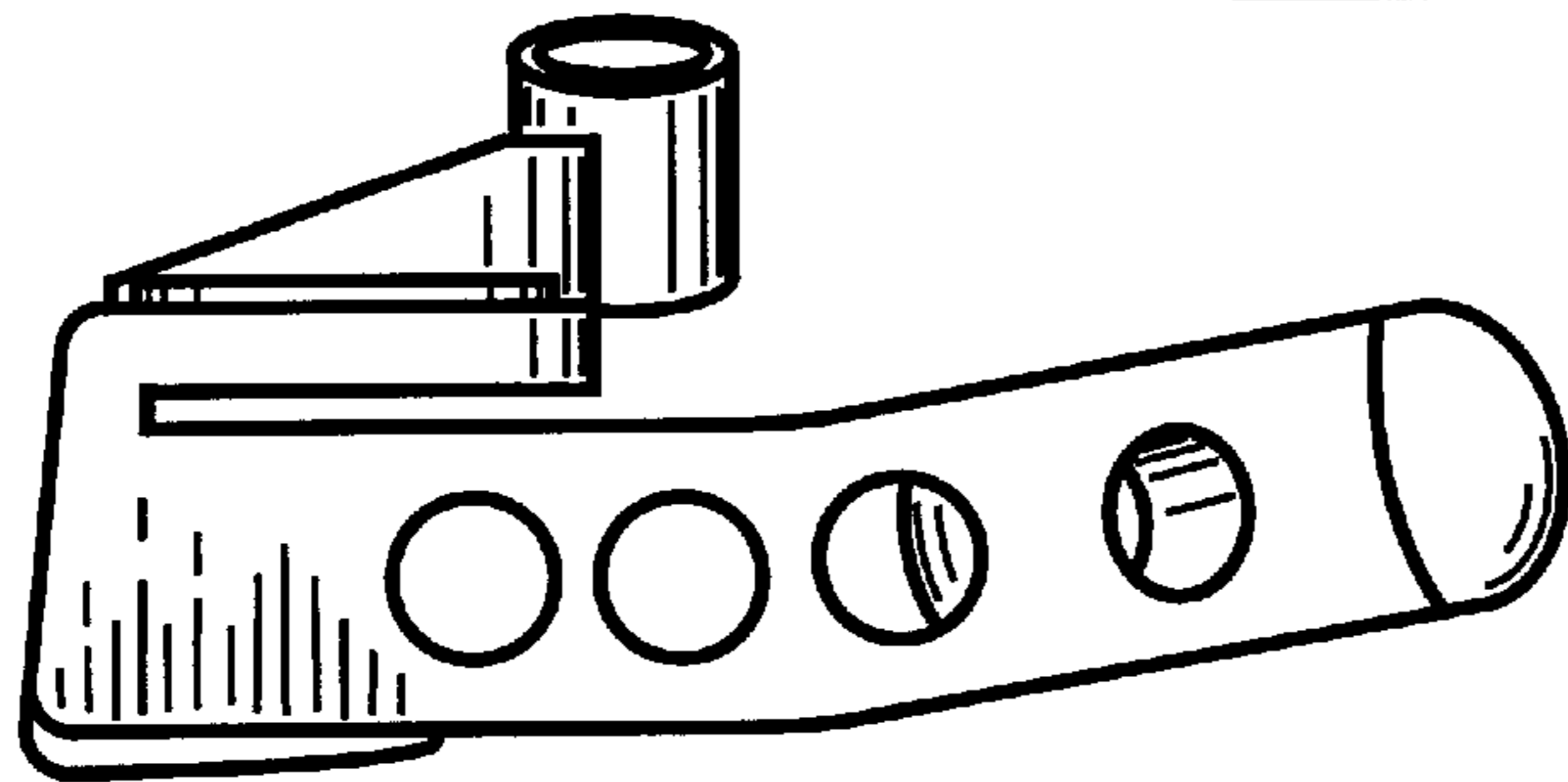
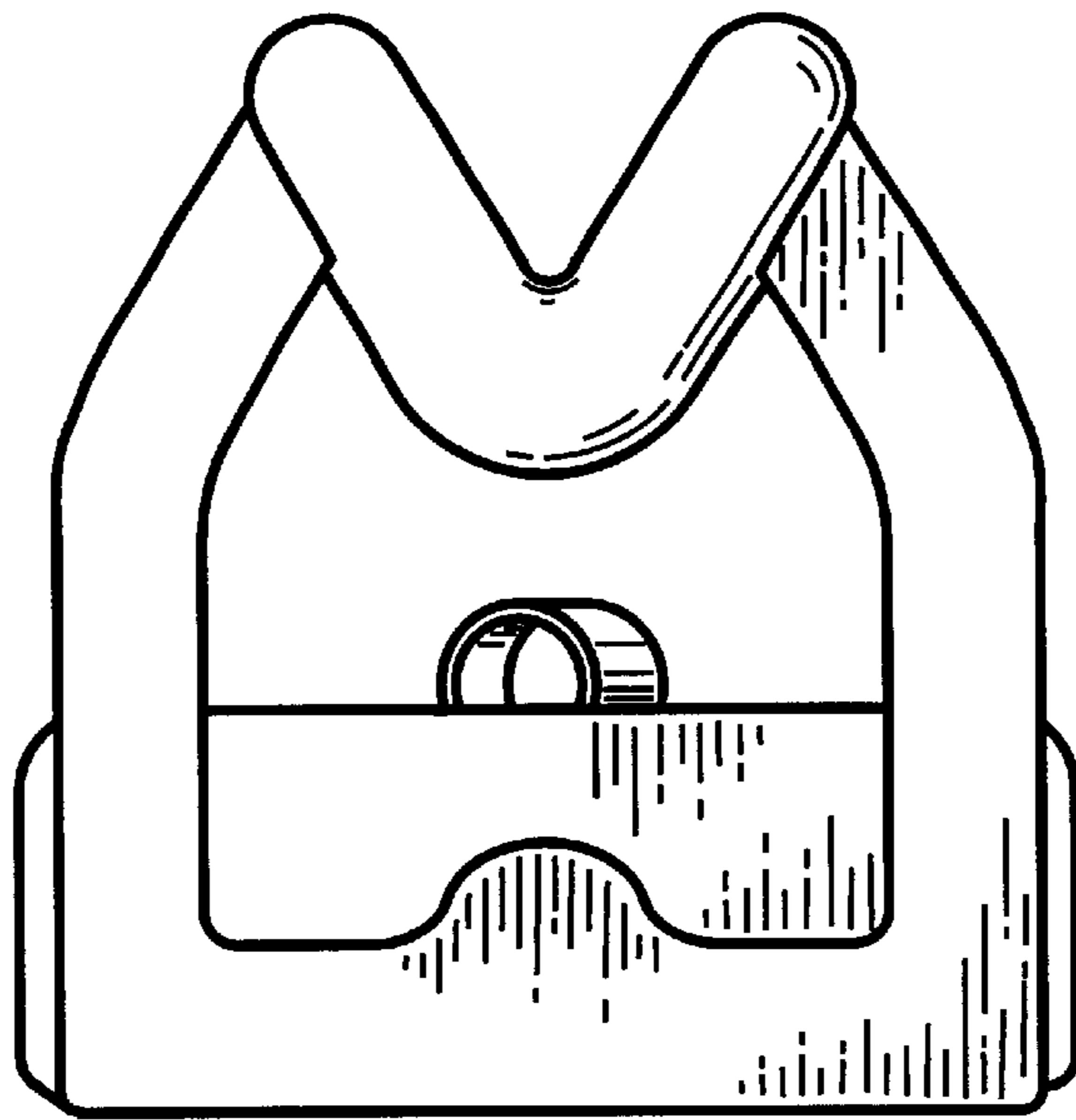


Fig. 4

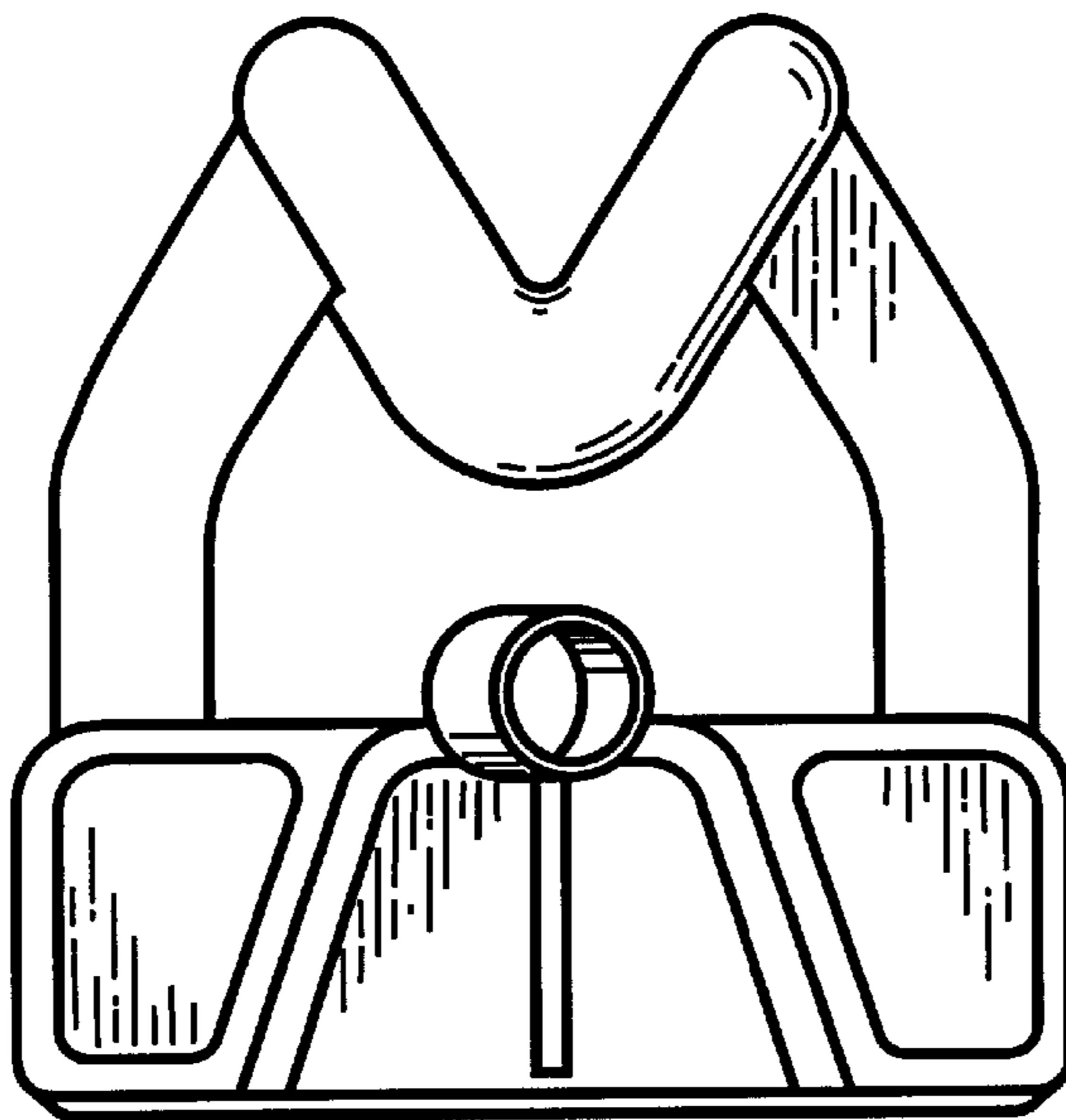


Fig. 5