

US00D509866S

(12) **United States Design Patent**
Kwon

(10) **Patent No.:** **US D509,866 S**

(45) **Date of Patent:** **** Sep. 20, 2005**

(54) **GOLF PUTTER HAVING A
LONGITUDINALLY-ORIENTED BUBBLE
LEVEL**

5,632,484 A * 5/1997 Lambert 473/241
5,755,623 A * 5/1998 Mizenko 473/241
5,935,015 A * 8/1999 Spiegel 473/226
6,146,285 A * 11/2000 Winslow 473/219

(76) **Inventor:** **James Taejoon Kwon**, 6442 E. Via
Corral, Anaheim Hills, CA (US) 92807

* cited by examiner

(**) **Term:** **14 Years**

Primary Examiner—Mitchell Siegel

(74) *Attorney, Agent, or Firm*—Albert O. Cota

(21) **Appl. No.:** **29/207,017**

(57) **CLAIM**

(22) **Filed:** **Jun. 8, 2004**

The ornamental design for a golf putter having a longitudi-
nally-oriented bubble level, as shown and described.

(51) **LOC (8) Cl.** **21-02**

(52) **U.S. Cl.** **D21/736**

(58) **Field of Search** D21/736-746,
D21/759; 473/324-331, 340, 341, 251-256,
220, 241, 226, 219

DESCRIPTION

FIG. 1 is a right-side elevational view of a golf putter having
a longitudinally-oriented bubble level showing my new new
design.

FIG. 2 is a left-side elevational view thereof.

FIG. 3 is a top plan view thereof;

FIG. 4 is a bottom plan view thereof;

FIG. 5 is a front elevational view thereof;

FIG. 6 is a rear elevational view thereof; and,

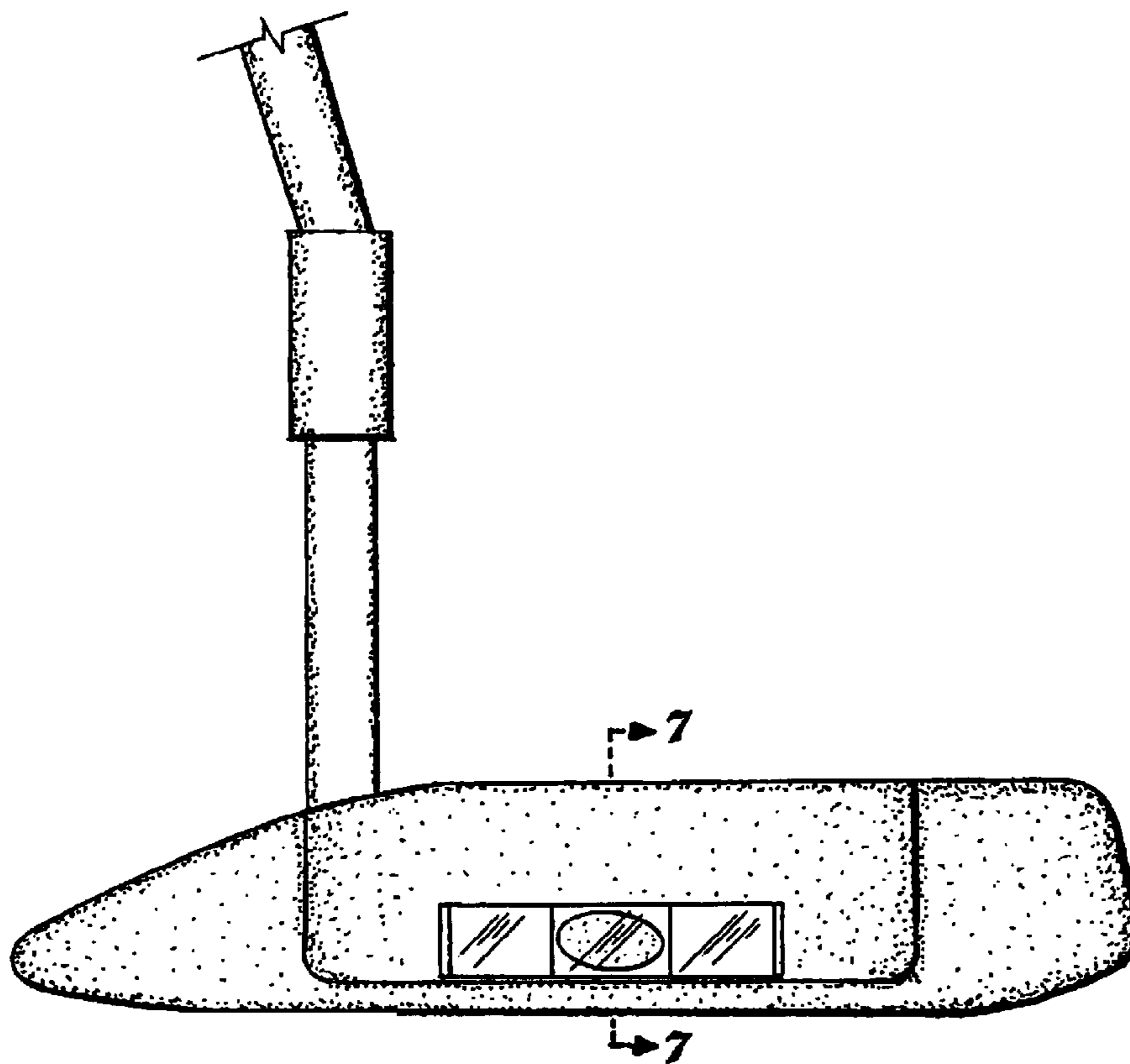
FIG. 7 is a cross sectional view taken on line 7-7 of FIG.
1.

(56) **References Cited**

U.S. PATENT DOCUMENTS

2,976,046 A * 3/1961 McCullough, Jr. 473/241
3,240,497 A * 3/1966 Taylor 473/241
3,909,004 A * 9/1975 Vella 473/241
5,209,470 A * 5/1993 Cimaroli et al. 473/241
5,492,329 A * 2/1996 Kronin 473/220

1 Claim, 5 Drawing Sheets



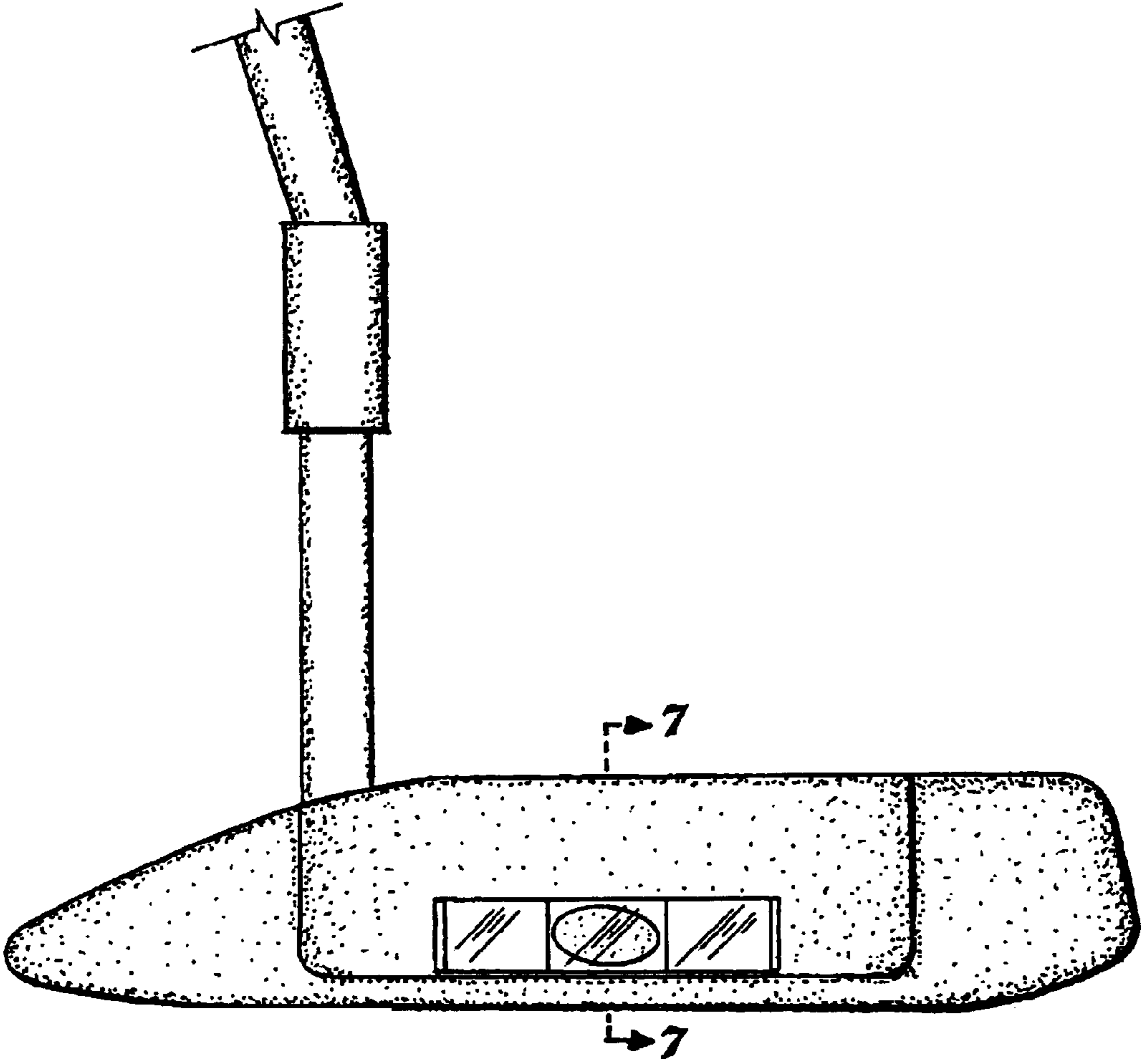


Fig. 1

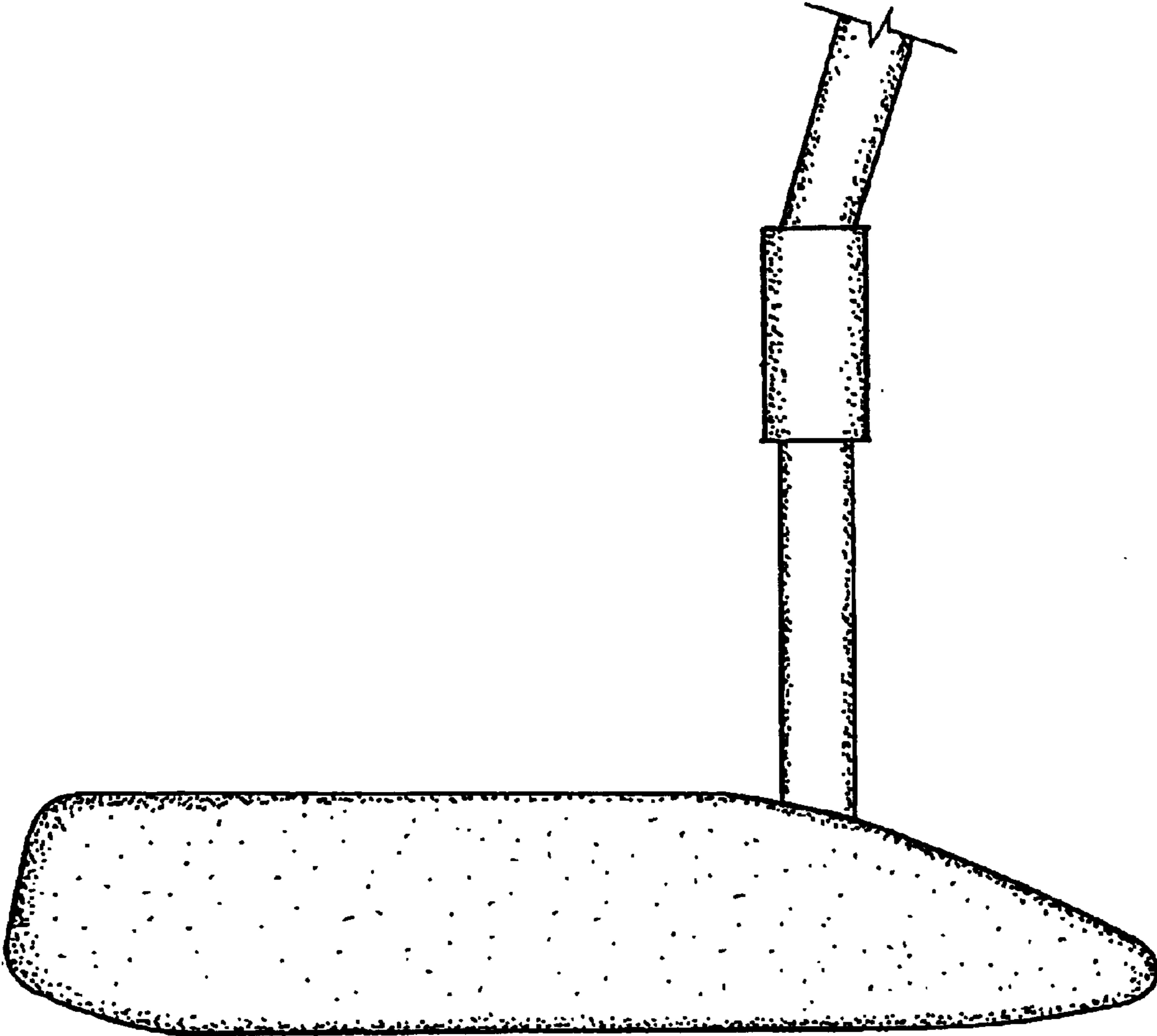


Fig. 2

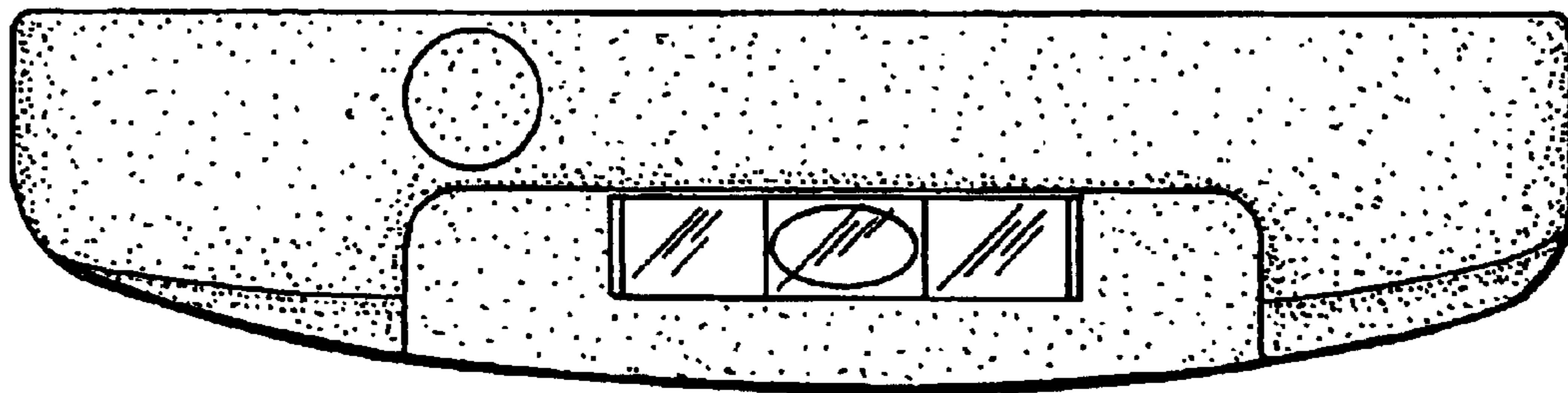


Fig. 3

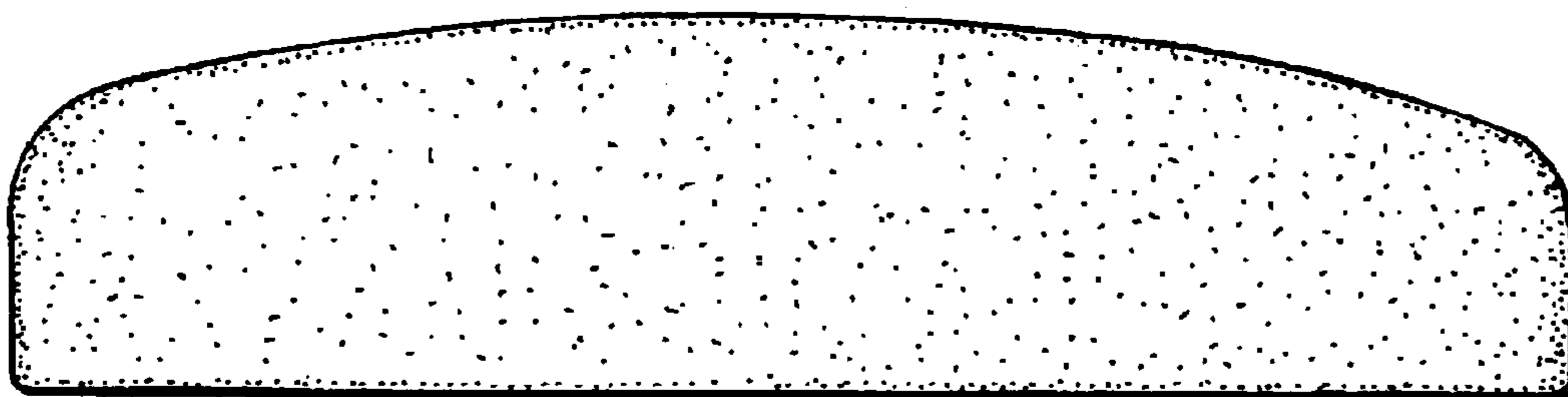


Fig. 4

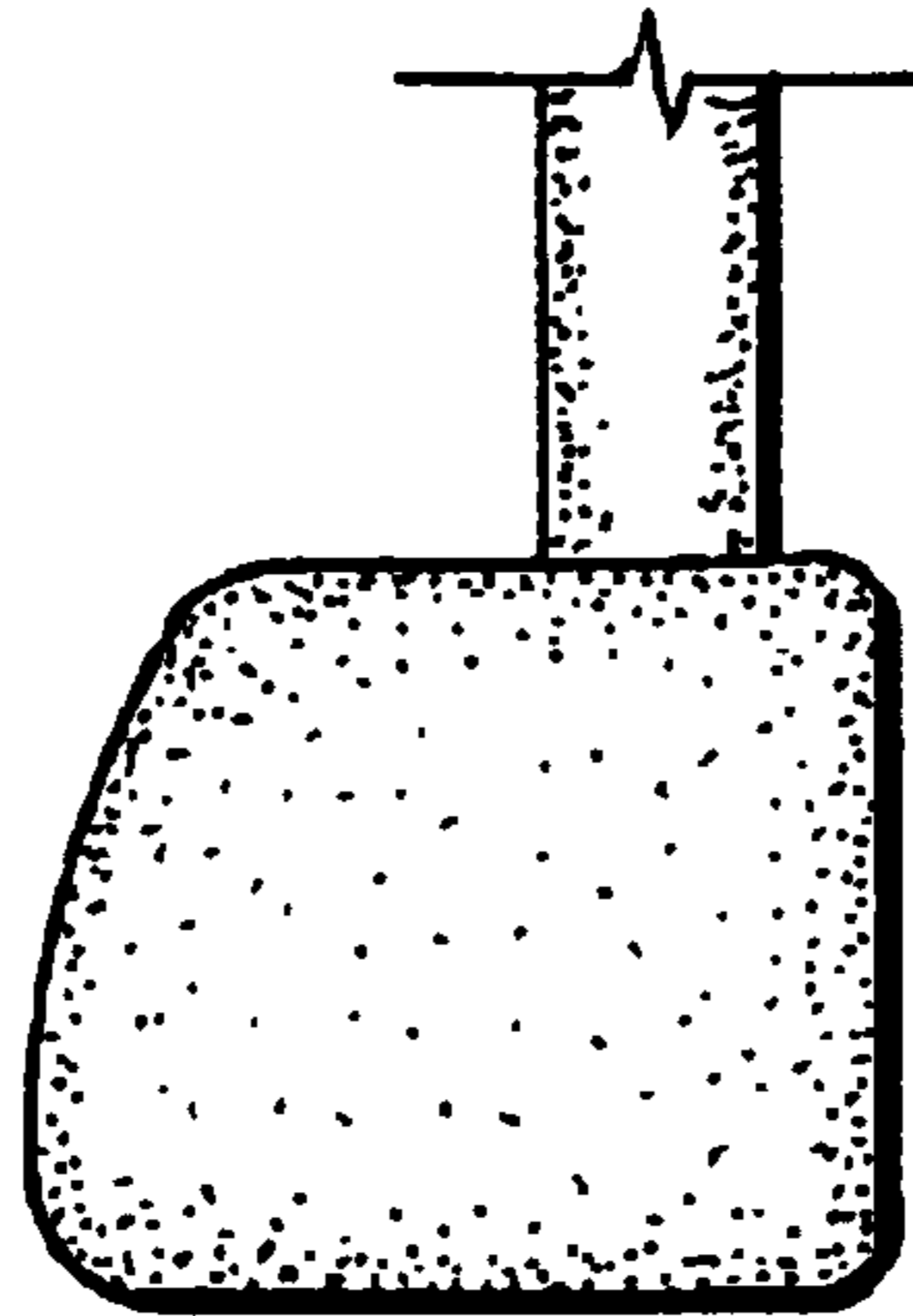


Fig. 5

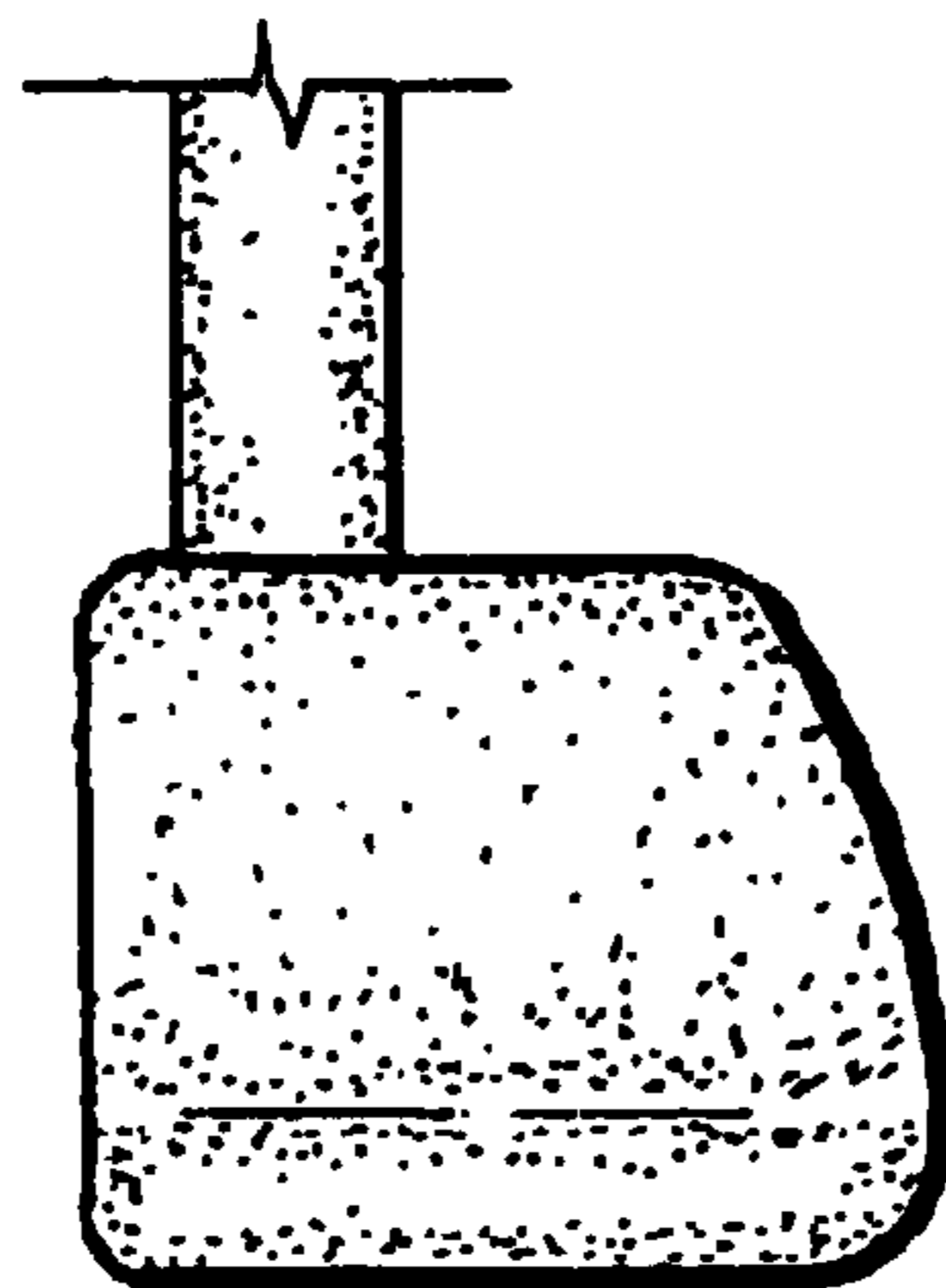


Fig. 6

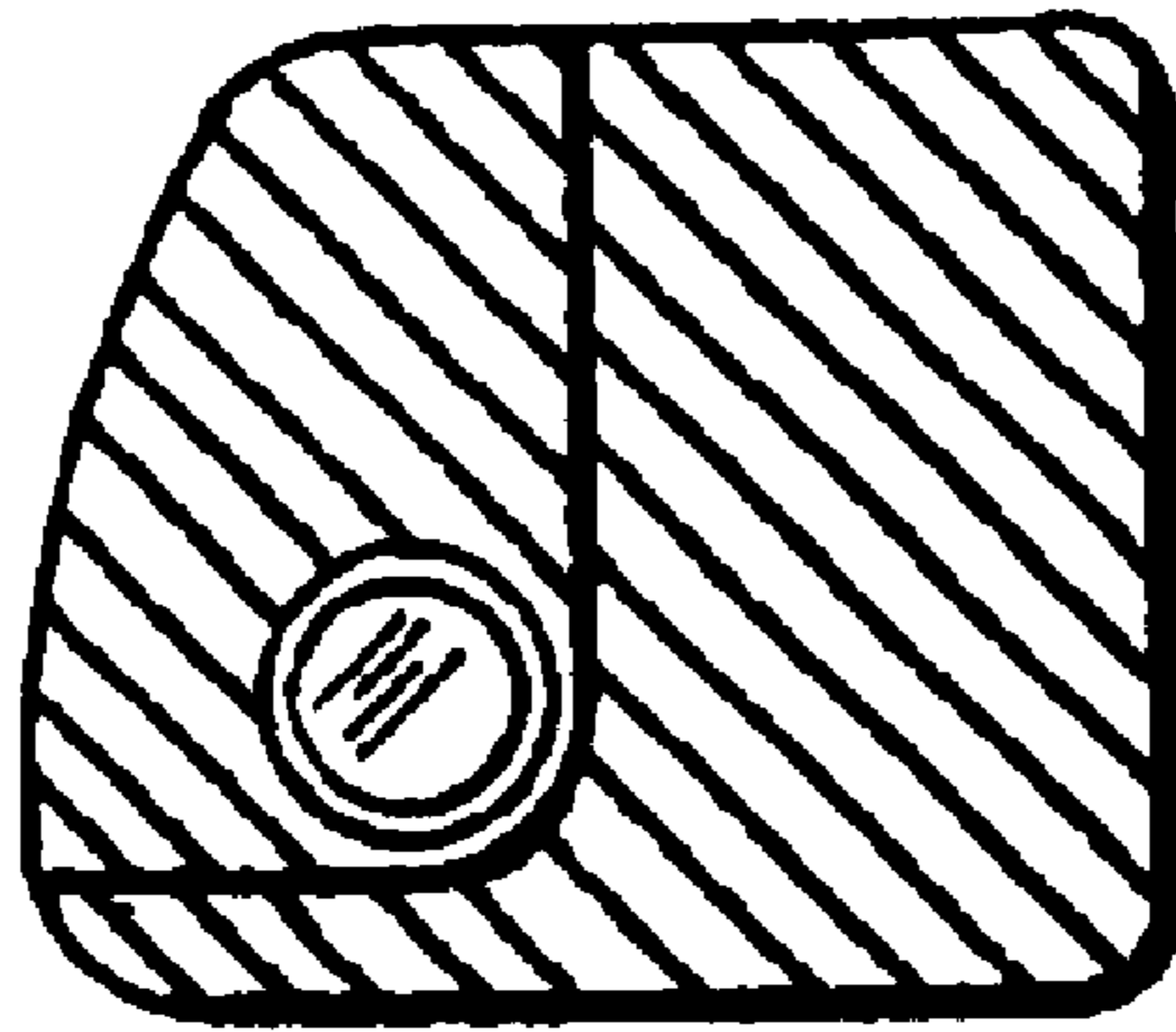


Fig. 7