

US00D509864S

(12) **United States Design Patent**  
**Gajderowicz**

(10) **Patent No.:** **US D509,864 S**

(45) **Date of Patent:** **\*\* Sep. 20, 2005**

(54) **TABLE TENNIS PADDLE HANDLE**

D168,192 S \* 11/1952 Schmid ..... D21/731  
D247,058 S \* 1/1978 Clowes ..... D21/731  
D300,741 S \* 4/1989 Yoshiharu ..... D14/248

(75) **Inventor:** **Larry J. Gajderowicz**, Newburgh, IN  
(US)

\* cited by examiner

(73) **Assignee:** **Indian Industries, Inc.**, Evansville, IN  
(US)

*Primary Examiner*—Mitchell Siegel  
(74) *Attorney, Agent, or Firm*—Woodard, Emhardt,  
Moriarty, McNett & Henry LLP

(\*\*) **Term:** **14 Years**

(57) **CLAIM**

(21) **Appl. No.:** **29/201,096**

The ornamental design for a table tennis paddle handle, as shown and described.

(22) **Filed:** **Mar. 10, 2004**

(51) **LOC (8) Cl.** ..... **21-02**

(52) **U.S. Cl.** ..... **D21/731**

(58) **Field of Search** ..... D21/729-732,  
D21/753, 756; 473/527-529, 549-552

**DESCRIPTION**

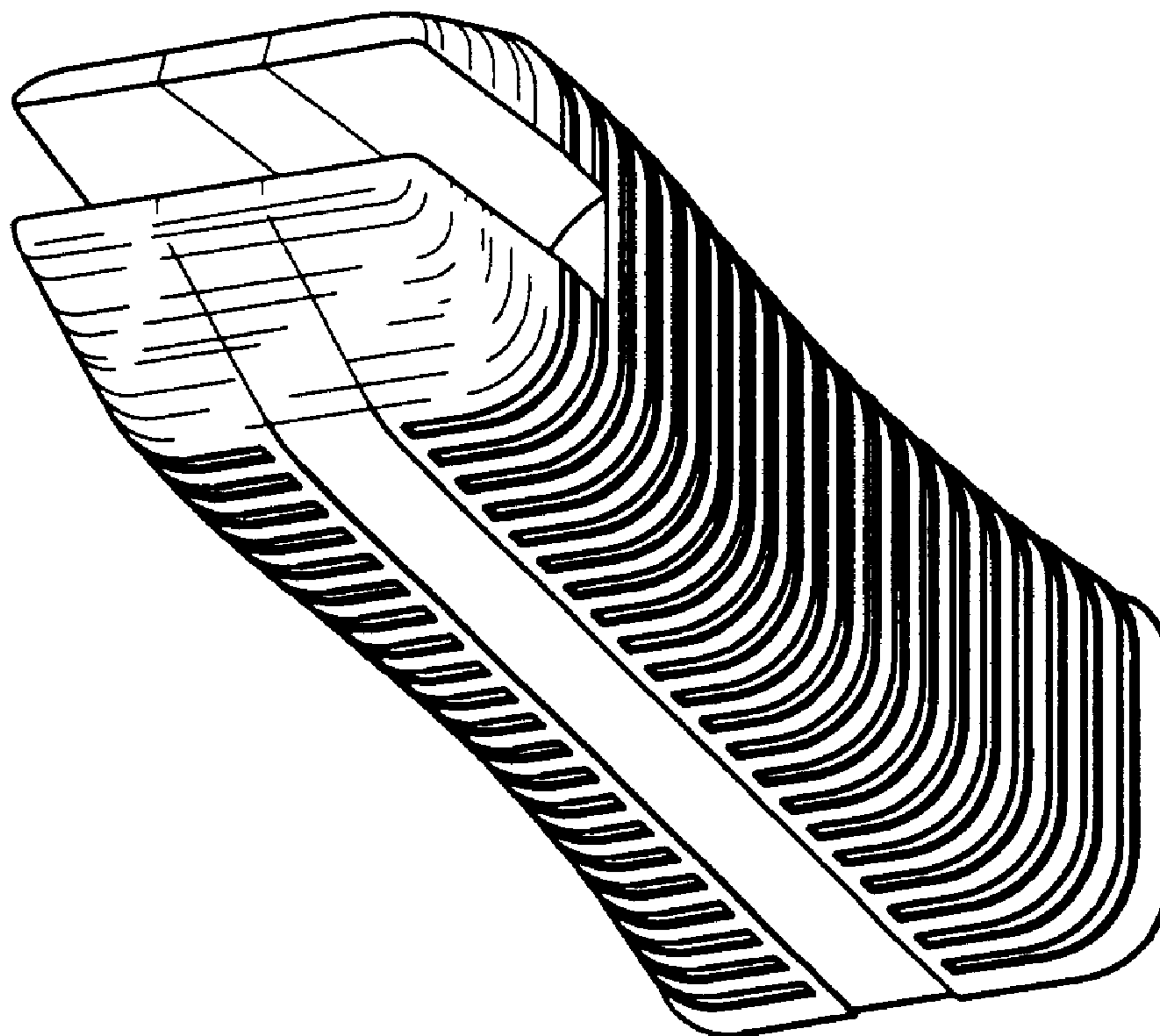
FIG. 1 is a perspective view of a table tennis handle with side portions made of a resilient material.  
FIG. 2 is a top view of the handle of FIG. 1.  
FIG. 3 is a bottom view of the handle of FIG. 1.  
FIG. 4 is a front view of the handle of FIG. 1. The back view is symmetric; and,  
FIG. 5 is a left-side view of the handle of FIG. 1. The right-side view is symmetric.

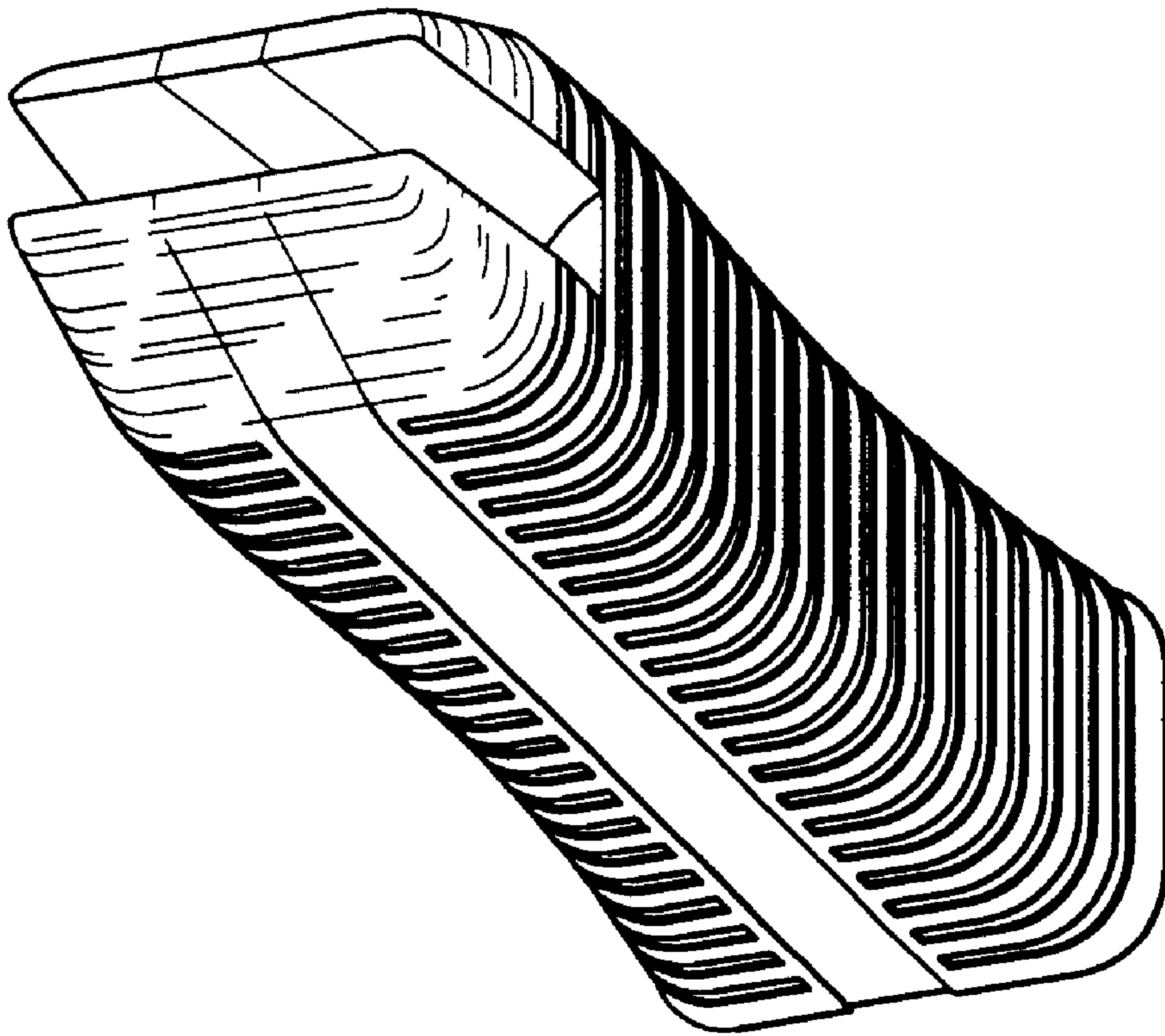
(56) **References Cited**

**U.S. PATENT DOCUMENTS**

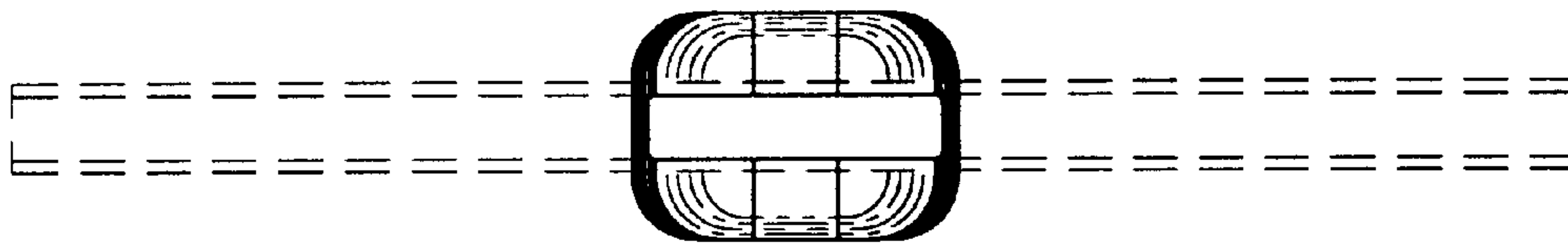
1,961,473 A \* 6/1934 Baltzley ..... 473/529  
1,986,154 A \* 1/1935 Marks ..... 473/527  
D103,243 S \* 2/1937 Magnus ..... D21/731

**1 Claim, 3 Drawing Sheets**

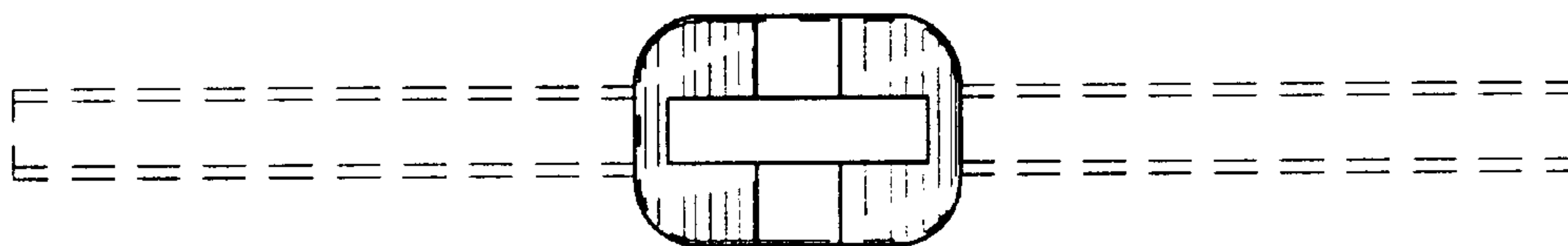




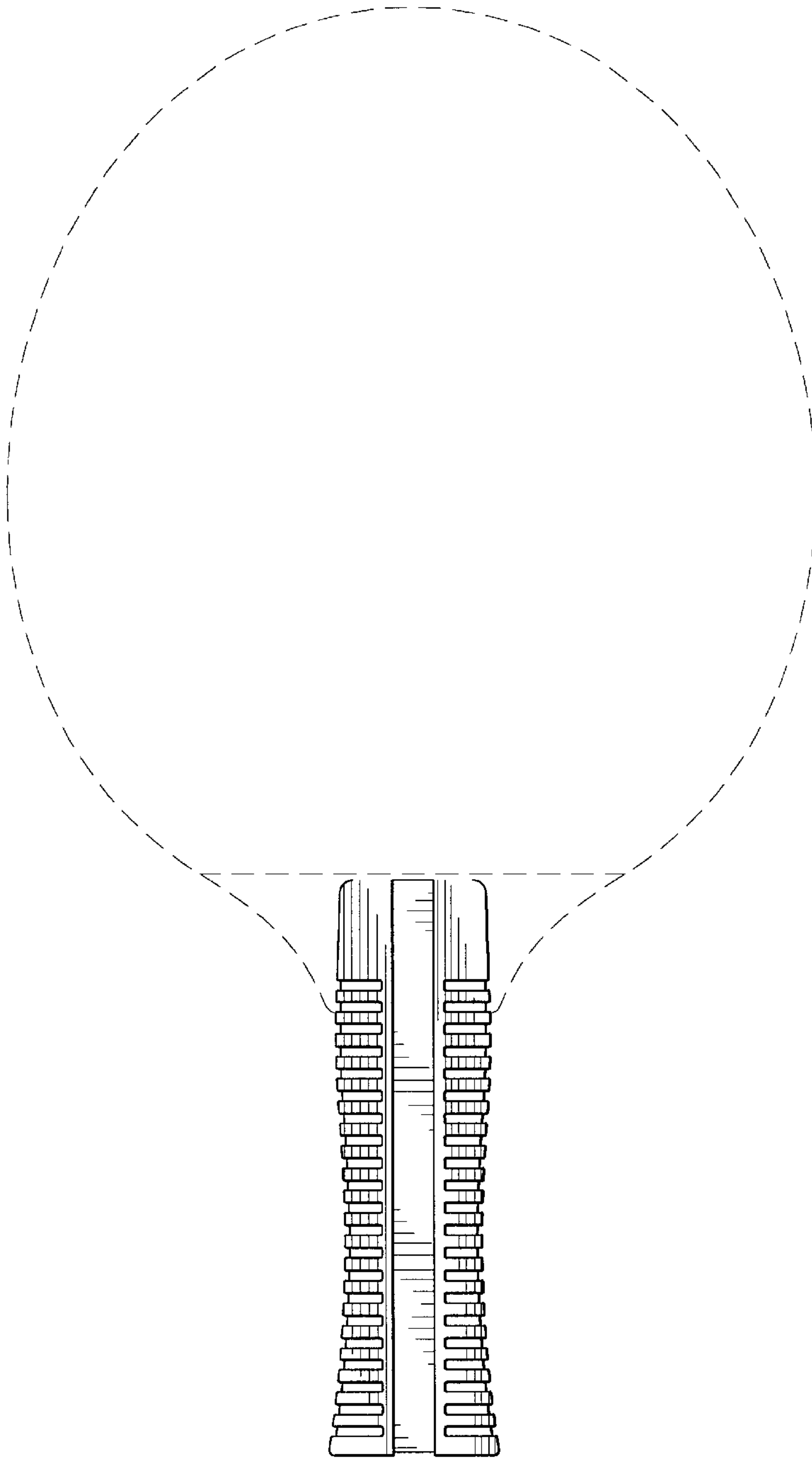
***Fig. 1***



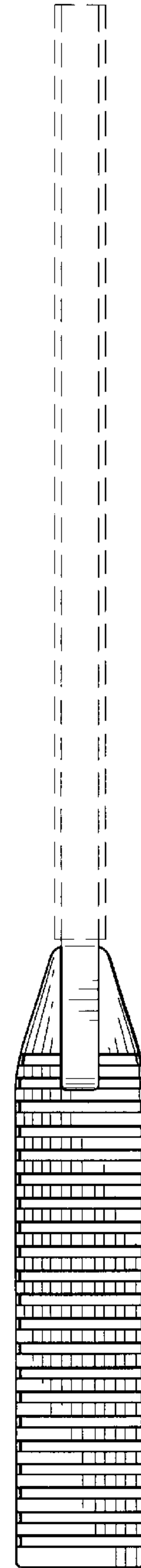
***Fig. 2***



***Fig. 3***



**Fig. 4**



**Fig. 5**