

US00D509863S

(12) **United States Design Patent**
Gajderowicz

(10) **Patent No.:** **US D509,863 S**

(45) **Date of Patent:** **** Sep. 20, 2005**

(54) **TABLE TENNIS PADDLE HANDLE**

D168,192 S * 11/1952 Schmid D21/731
D247,058 S * 1/1978 Clowes D21/731
D300,741 S * 4/1989 Yoshiharu D14/248

(75) Inventor: **Larry J. Gajderowicz**, Newburgh, IN
(US)

* cited by examiner

(73) Assignee: **Indian Industries, Inc.**, Evansville, IN
(US)

Primary Examiner—Mitchell Siegel
(74) *Attorney, Agent, or Firm*—Woodard, Emhardt,
Moriarty, McNett & Henry LLP

(**) Term: **14 Years**

(57) **CLAIM**

(21) Appl. No.: **29/201,095**

The ornamental design for a table tennis paddle handle, as shown and described.

(22) Filed: **Mar. 10, 2004**

(51) **LOC (8) Cl.** **21-02**

(52) **U.S. Cl.** **D21/731**

(58) **Field of Search** D21/729-732,
D21/753, 756; 473/527-529, 549-552

DESCRIPTION

FIG. 1 is a perspective view of a table tennis paddle handle made of a resilient material.

FIG. 2 is a top view of the handle of FIG. 1.

FIG. 3 is a bottom view of the handle of FIG. 1.

FIG. 4 is a front view of the handle of FIG. 1. The back is symmetric; and,

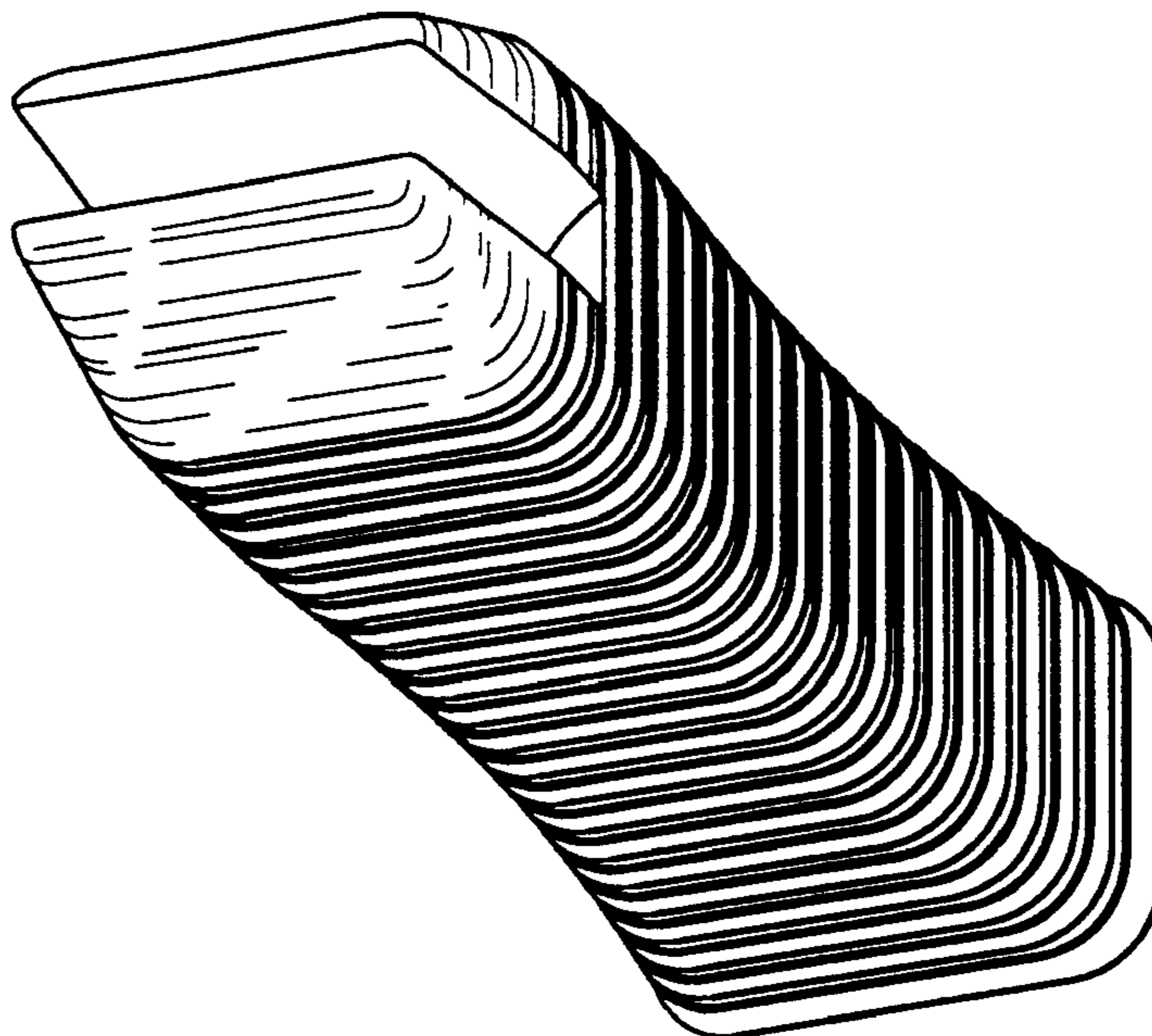
FIG. 5 is a left-side view of the handle of FIG. 1. The right-side view is symmetric.

(56) **References Cited**

U.S. PATENT DOCUMENTS

1,961,473 A * 6/1934 Baltzley 473/529
1,986,154 A * 1/1935 Marks 473/527
D103,243 S * 2/1937 Magnus D21/731

1 Claim, 3 Drawing Sheets



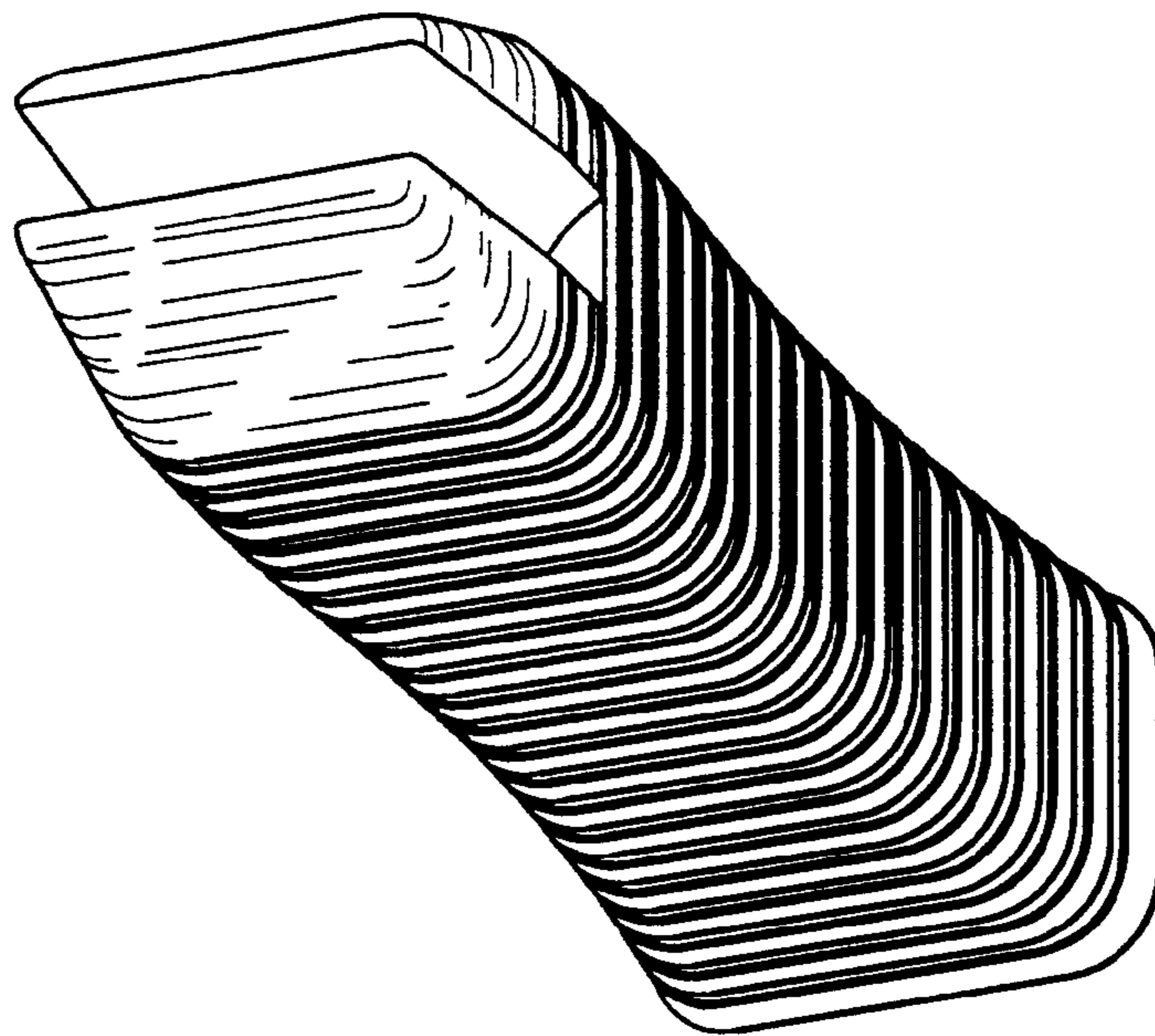


Fig. 1

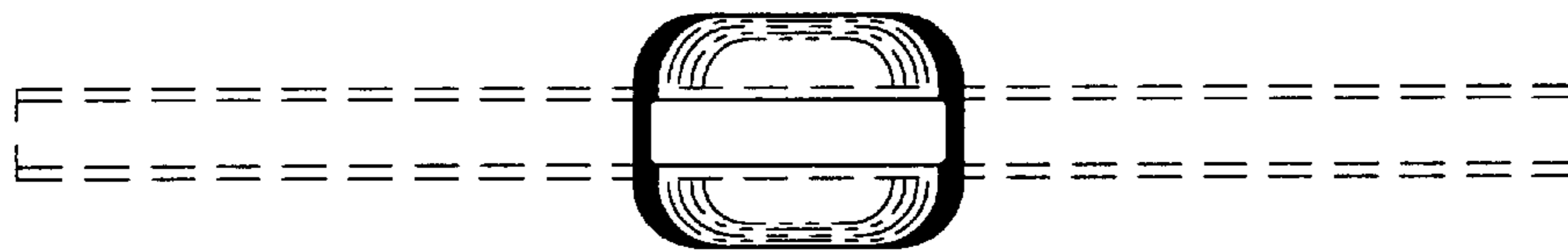


Fig. 2

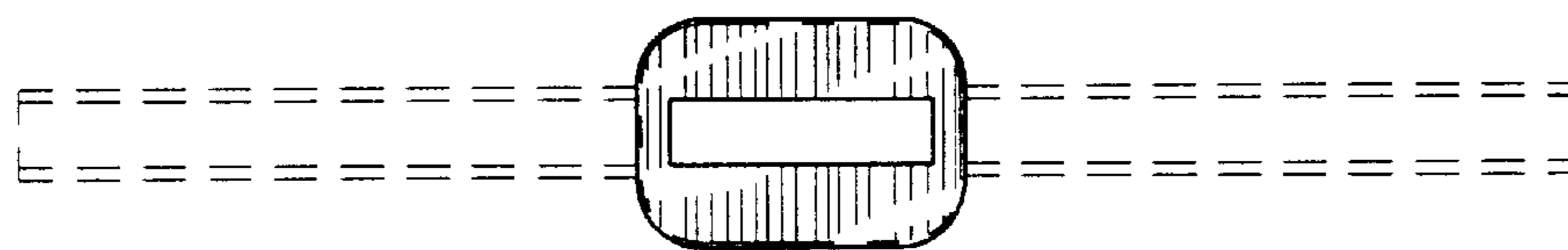


Fig. 3

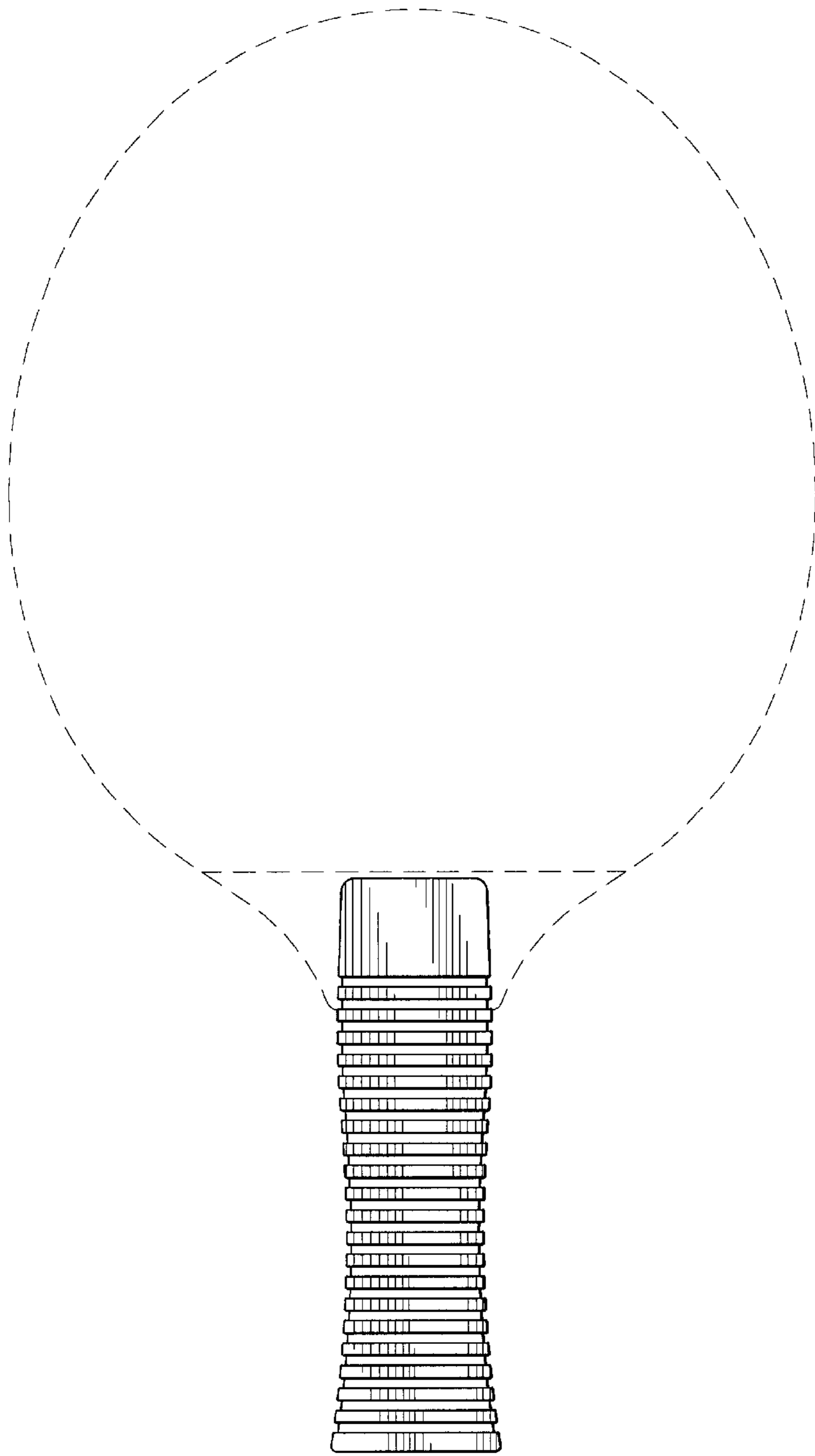


Fig. 4

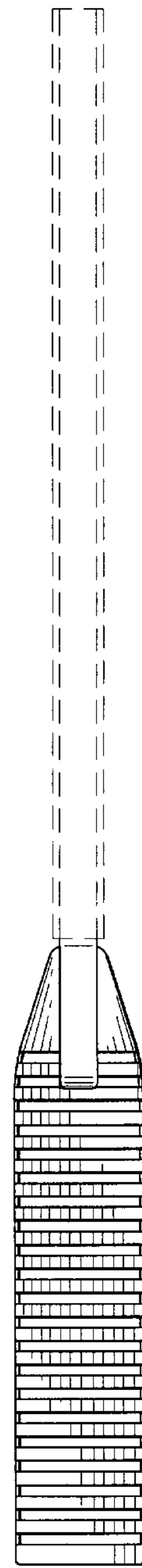


Fig. 5