

US00D509844S

(12) **United States Design Patent**
Oross et al.

(10) **Patent No.:** **US D509,844 S**

(45) **Date of Patent:** **** Sep. 20, 2005**

(54) **PROJECTOR**

D464,073 S * 10/2002 Nakamura D16/230
D476,024 S * 6/2003 Shimamoto D16/230
6,755,541 B2 * 6/2004 Nakano et al. 353/119

(75) Inventors: **Glen Allen Oross**, Corvallis, OR (US);
Nate Cervantes, Brentwood, CA (US);
Daniel Peter, Portland, OR (US);
Simon Wu, San Francisco, CA (US)

* cited by examiner

Primary Examiner—Adir Aronovich

(73) Assignee: **Hewlett-Packard Development Company, L.P.**, Houston, TX (US)

(57) **CLAIM**

(**) Term: **14 Years**

The ornamental design for a projector, as shown and described.

(21) Appl. No.: **29/210,773**

DESCRIPTION

(22) Filed: **Aug. 4, 2004**

FIG. 1 is a front perspective view of the projector in accordance with our invention;

(51) **LOC (8) Cl.** **16-02**

FIG. 2 is a top view thereof;

(52) **U.S. Cl.** **D16/230**

FIG. 3 is a bottom view thereof;

(58) **Field of Search** D16/205, 208,
D16/213, 221, 225, 230, 231, 234, 235,
242; D21/514; 353/119, 122

FIG. 4 is a right side view of our invention as shown in FIG. 1;

FIG. 5 is a left side view of our invention as shown in FIG. 1;

(56) **References Cited**

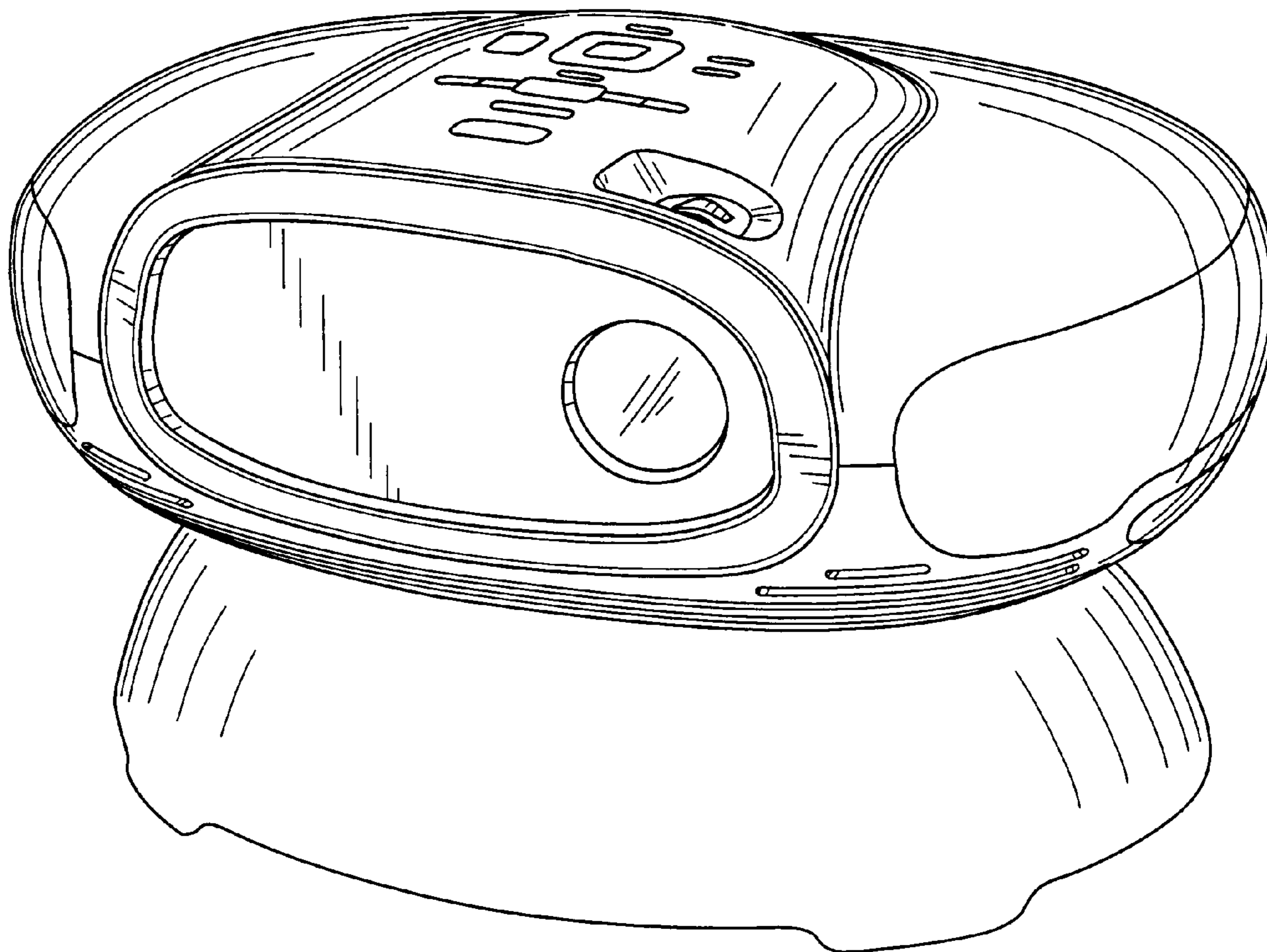
FIG. 6 is a front end view; and,

FIG. 7 is a back end view.

U.S. PATENT DOCUMENTS

D457,179 S * 5/2002 Saeki et al. D16/230

1 Claim, 4 Drawing Sheets



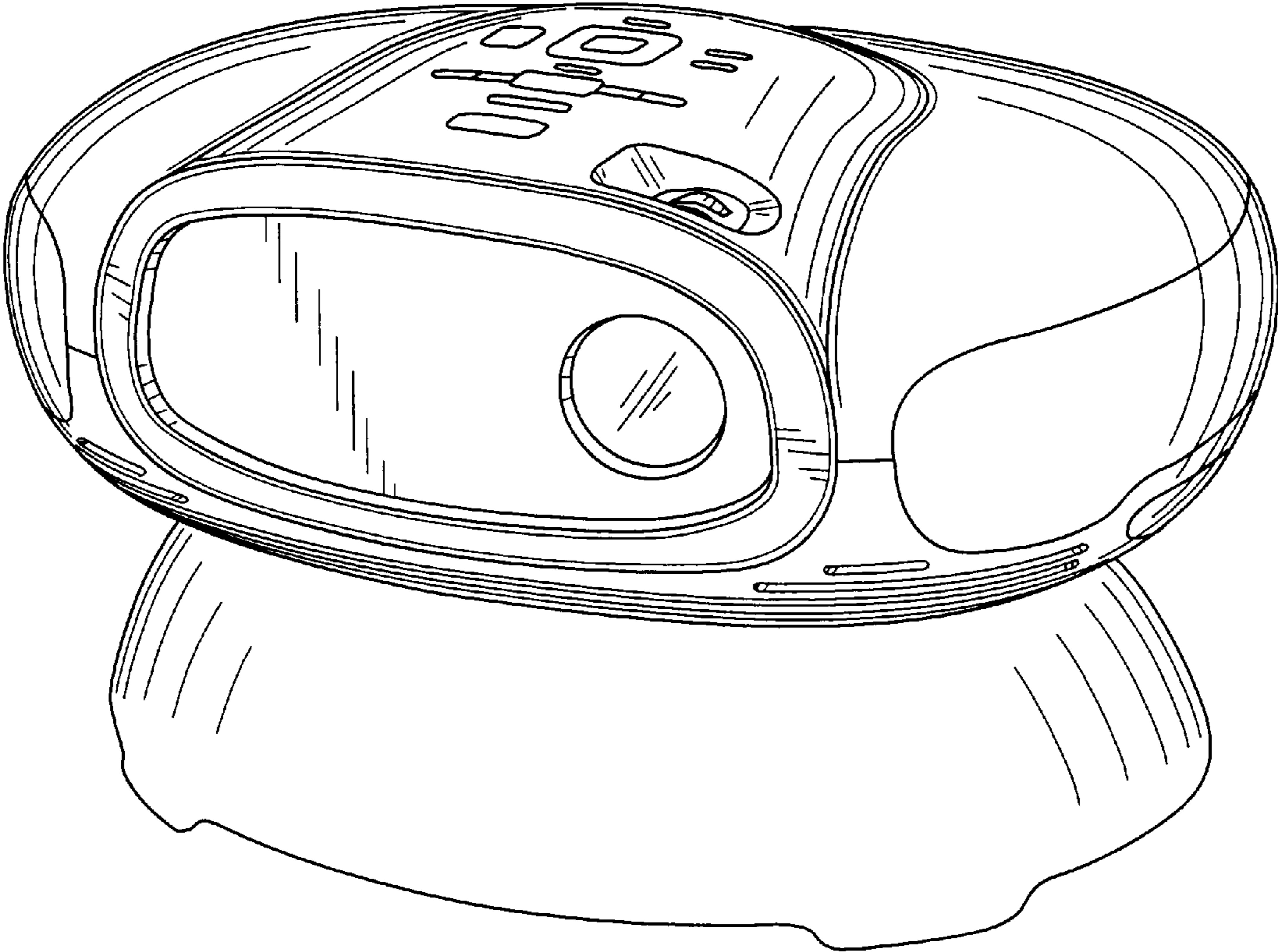


FIG. 1

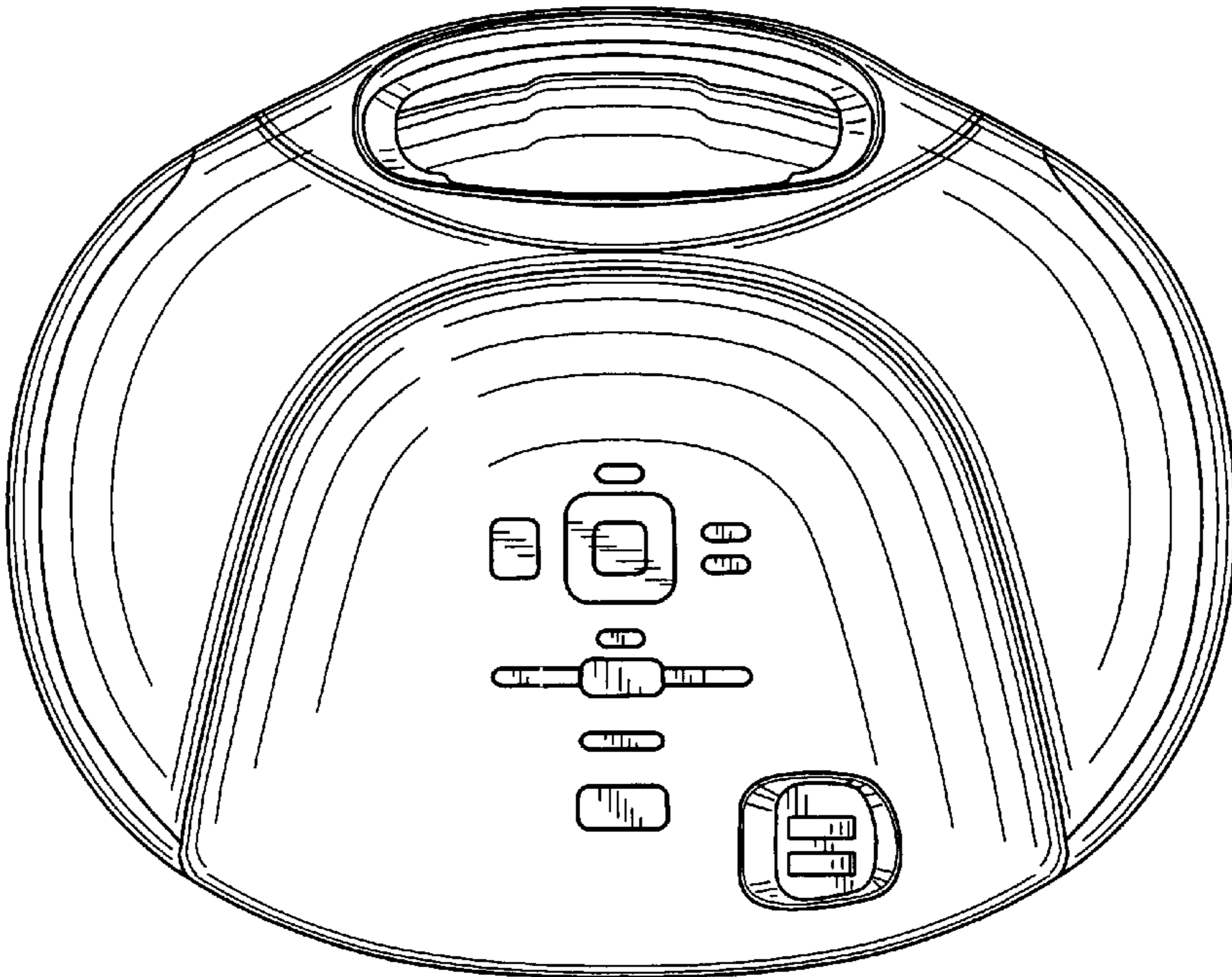


FIG. 2

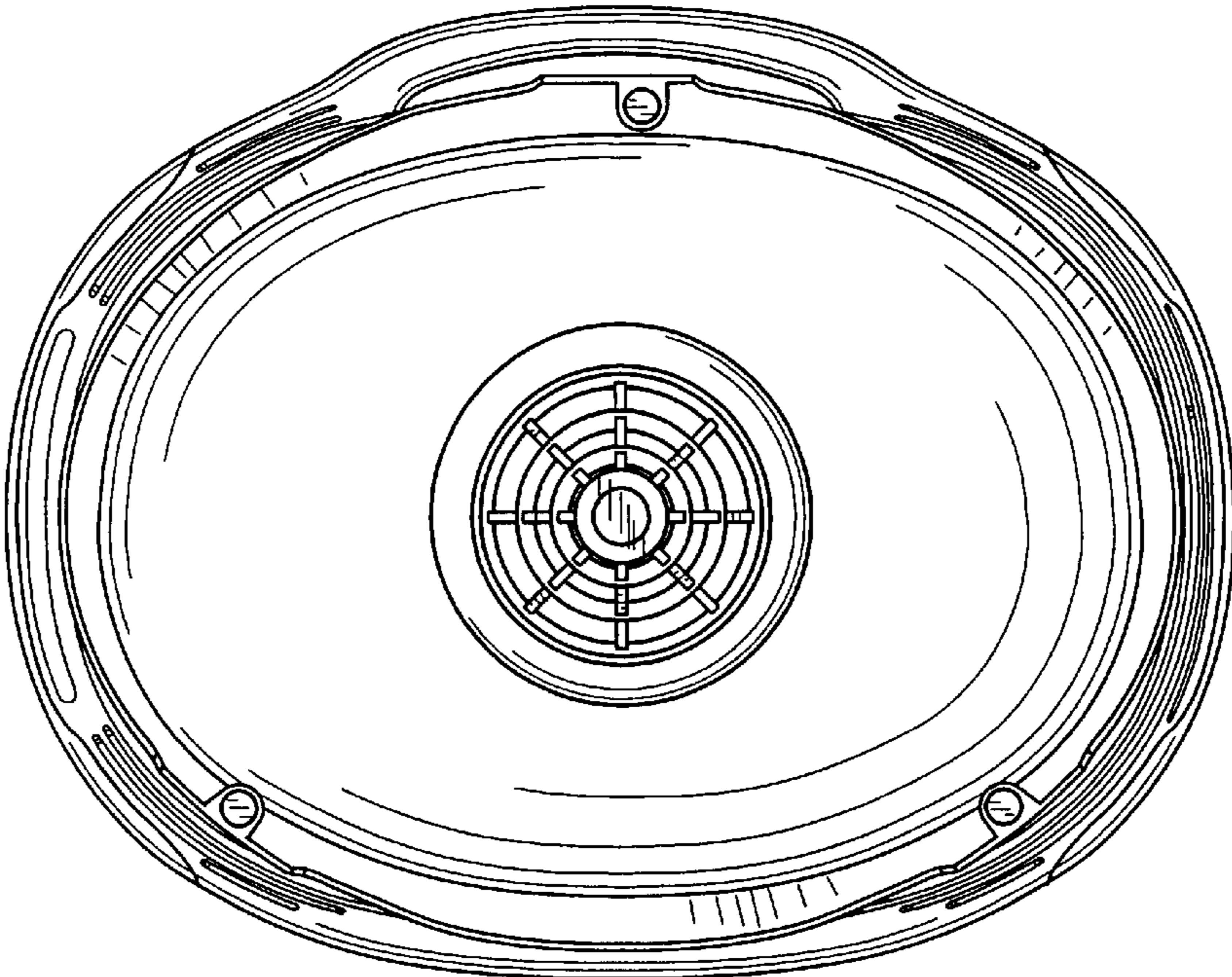


FIG. 3

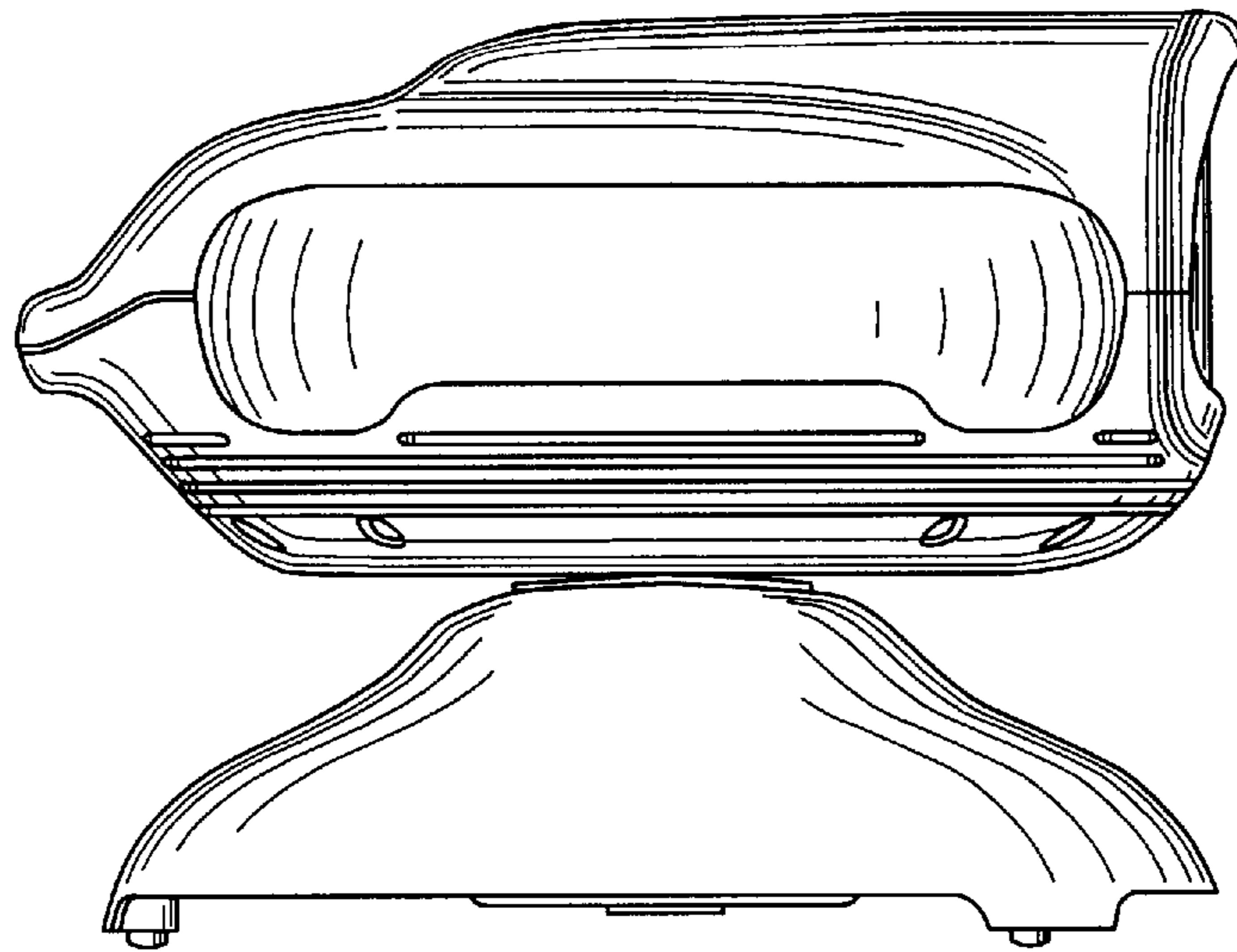


FIG. 4

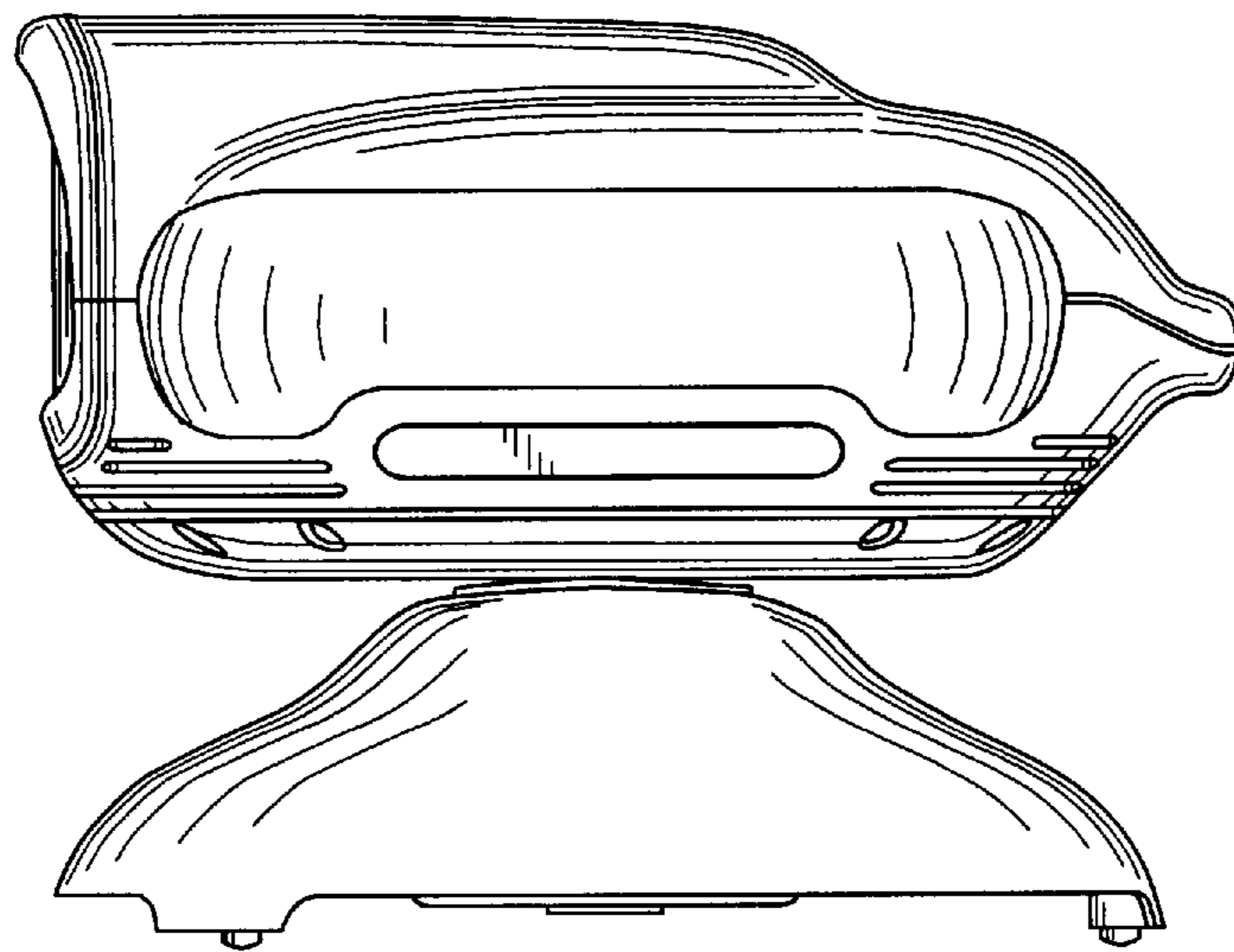


FIG. 5

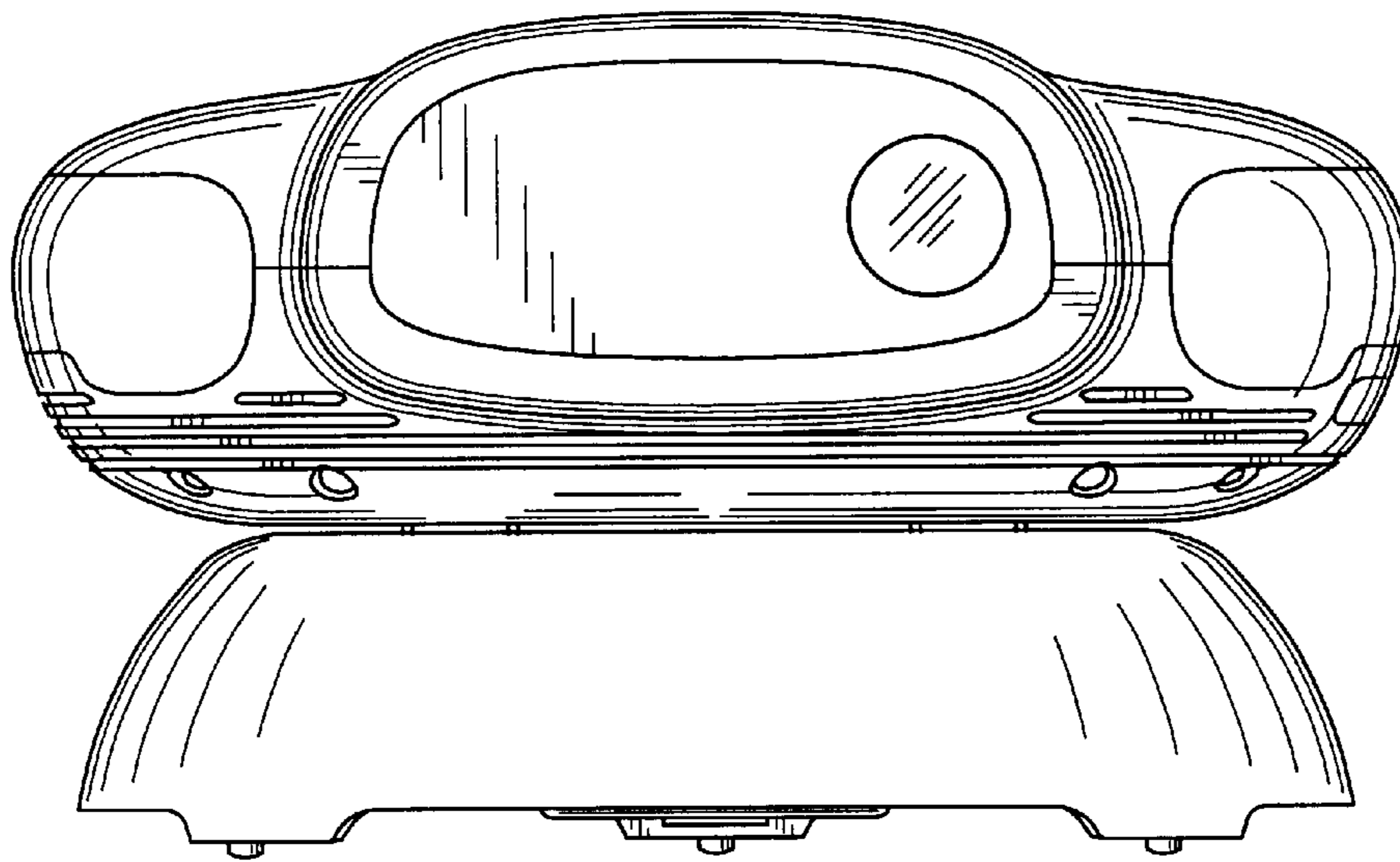


FIG. 6

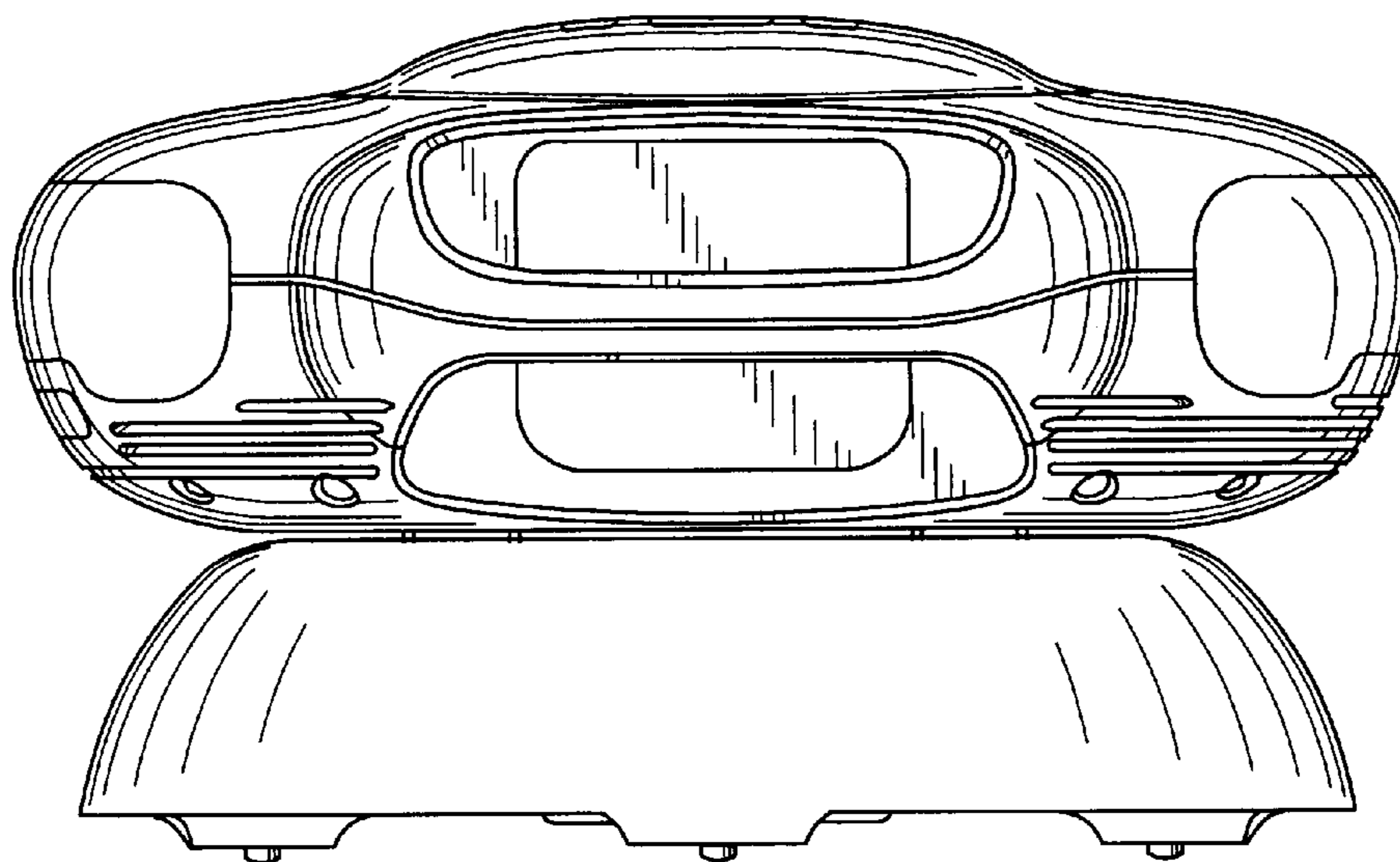


FIG. 7