



US00D509842S

(12) **United States Design Patent** (10) **Patent No.:** **US D509,842 S**
Ou (45) **Date of Patent:** **** Sep. 20, 2005**

(54) **SURVEILLANCE CAMERA**

6,831,697 B1 * 12/2004 Chang 348/375

(75) Inventor: **Seok S. Ou**, Cerritos, CA (US)

* cited by examiner

(73) Assignee: **PROAM Enterprise Inc.**, Cerritos, CA (US)

Primary Examiner—Adir Aronovich
(74) *Attorney, Agent, or Firm*—Park&Sutton LLP; John K. Park

(**) Term: **14 Years**

(57) **CLAIM**

(21) Appl. No.: **29/206,641**

The ornamental design for a surveillance camera, as shown and described.

(22) Filed: **Jun. 2, 2004**

DESCRIPTION

(51) **LOC (8) Cl.** **16-01**

(52) **U.S. Cl.** **D16/203; D16/202**

(58) **Field of Search** D16/200–205,
D16/208, 218; 348/143, 151, 373–376;
358/906, 909.1; 396/427, 535, 536–541

FIG. 1 is a top, front and left side perspective view of a surveillance camera showing my new design;
FIG. 2 is a bottom, front and right side perspective view thereof;
FIG. 3 is a front elevational view thereof;
FIG. 4 is a side elevational view thereof, the opposite side being a mirror image;
FIG. 5 is a rear elevational view thereof;
FIG. 6 is a top plan view thereof; and,
FIG. 7 is a bottom plan view thereof.

(56) **References Cited**

U.S. PATENT DOCUMENTS

D447,758 S	*	9/2001	Lin et al.	D16/202
6,437,826 B1	*	8/2002	Arnold	348/373
D470,874 S	*	2/2003	Chiu	D16/202
D476,345 S	*	6/2003	Phelps et al.	D16/202
D484,160 S	*	12/2003	Kangasmaa	D16/203
D487,475 S	*	3/2004	Uehara	D16/202

The broken lines showing of portions of a surveillance camera in FIGS. 1–7 are for illustration purposes only and form no part of the claimed design.

1 Claim, 7 Drawing Sheets

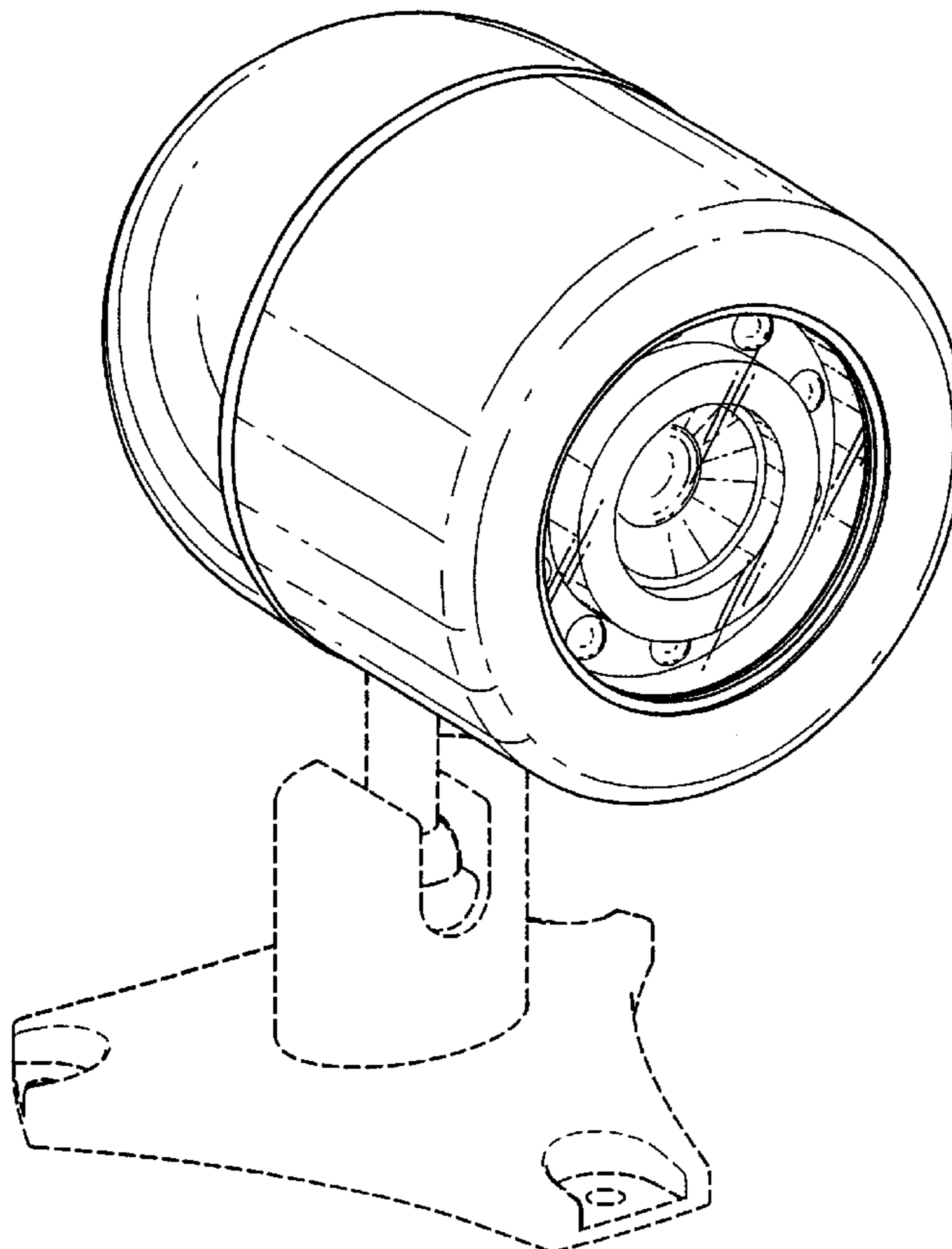


FIG. 1

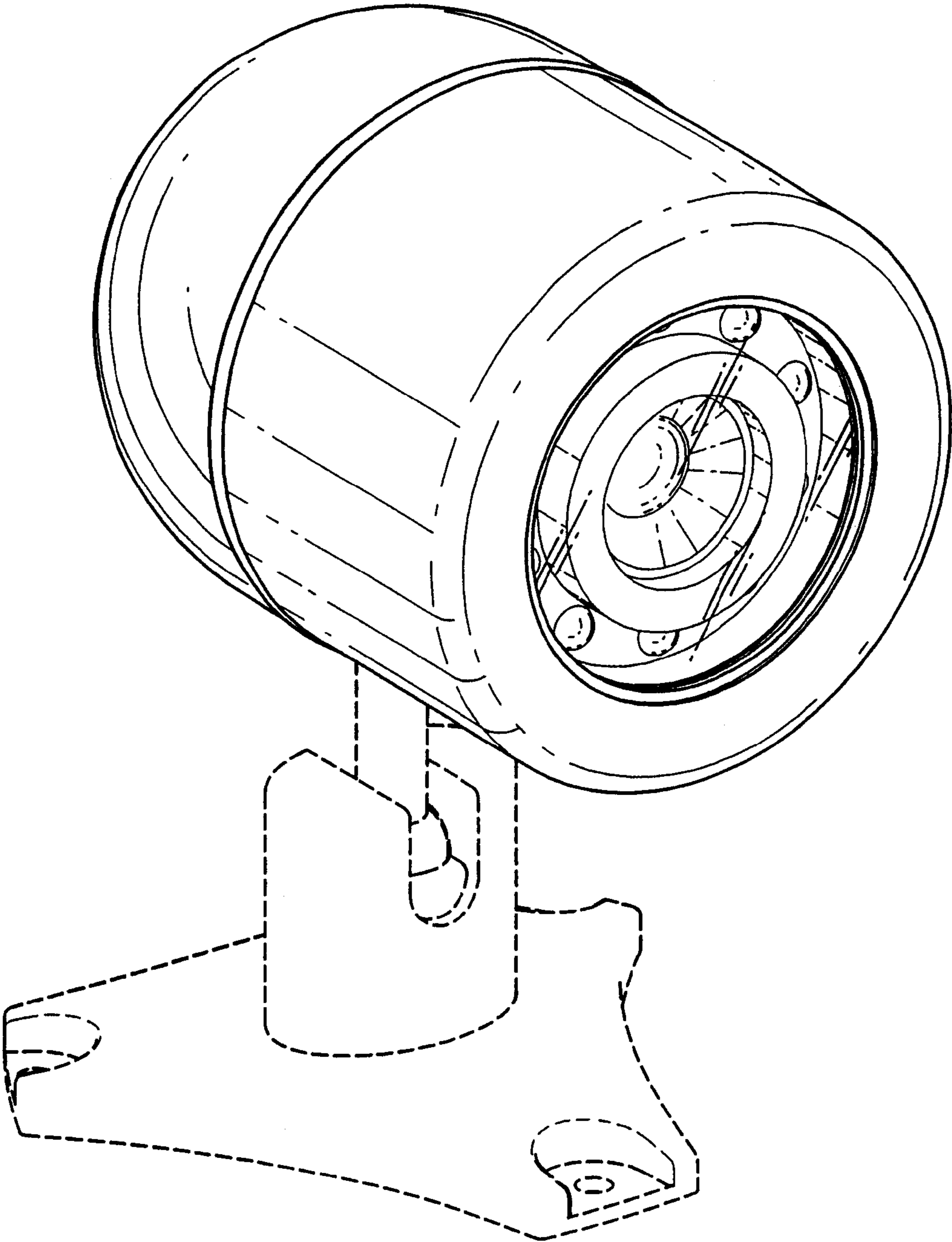


FIG. 2

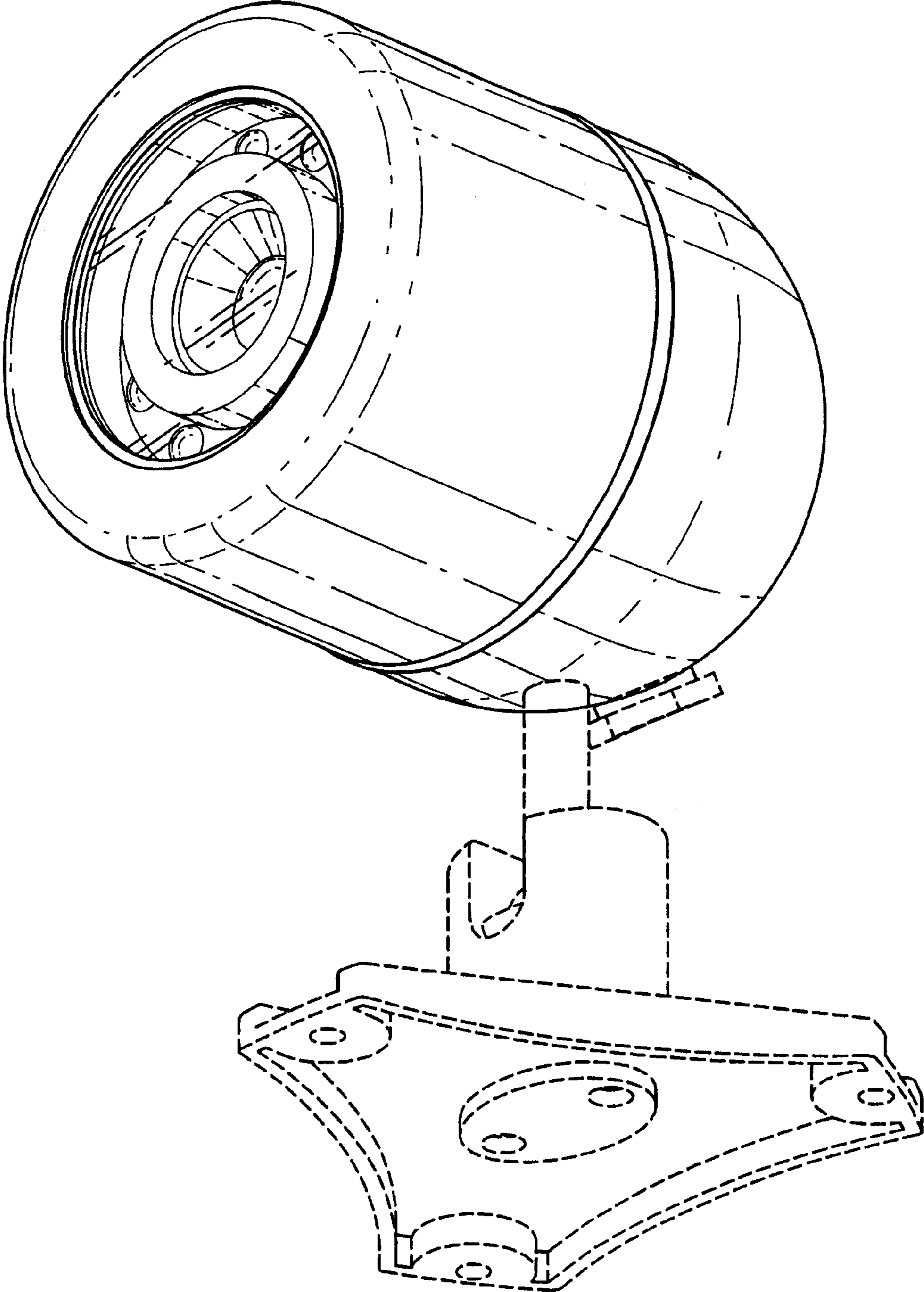


FIG. 3

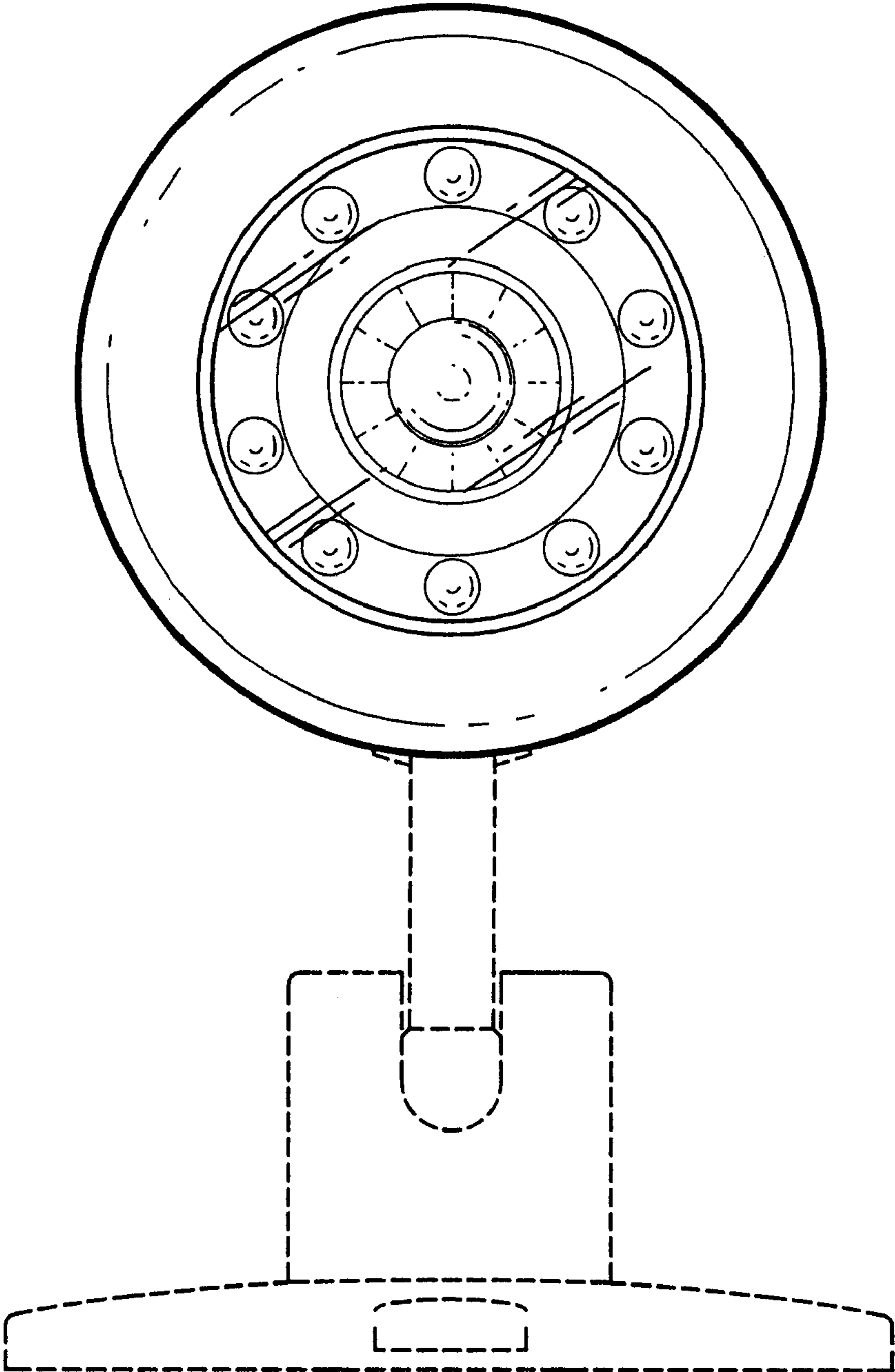


FIG. 4

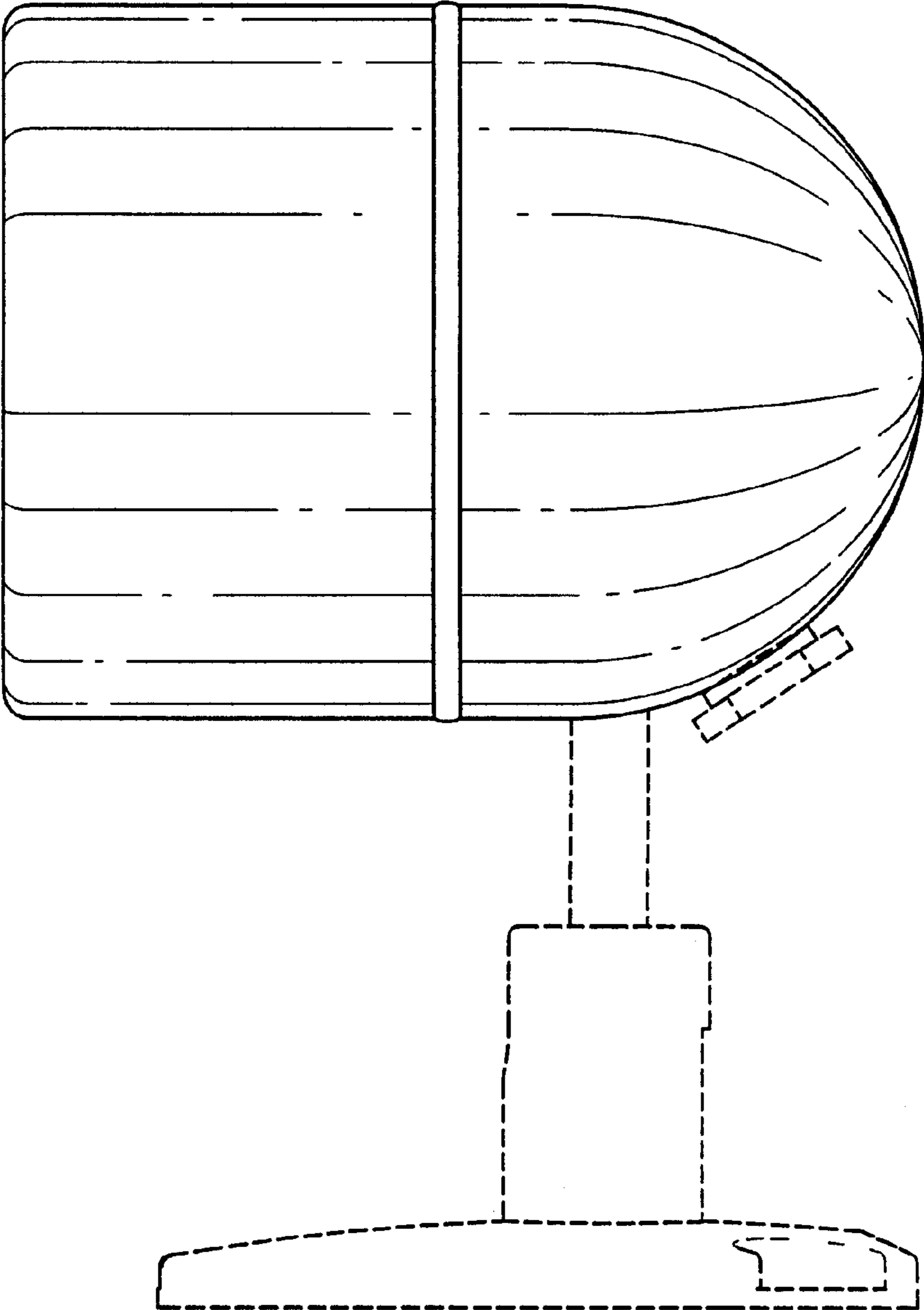


FIG. 5

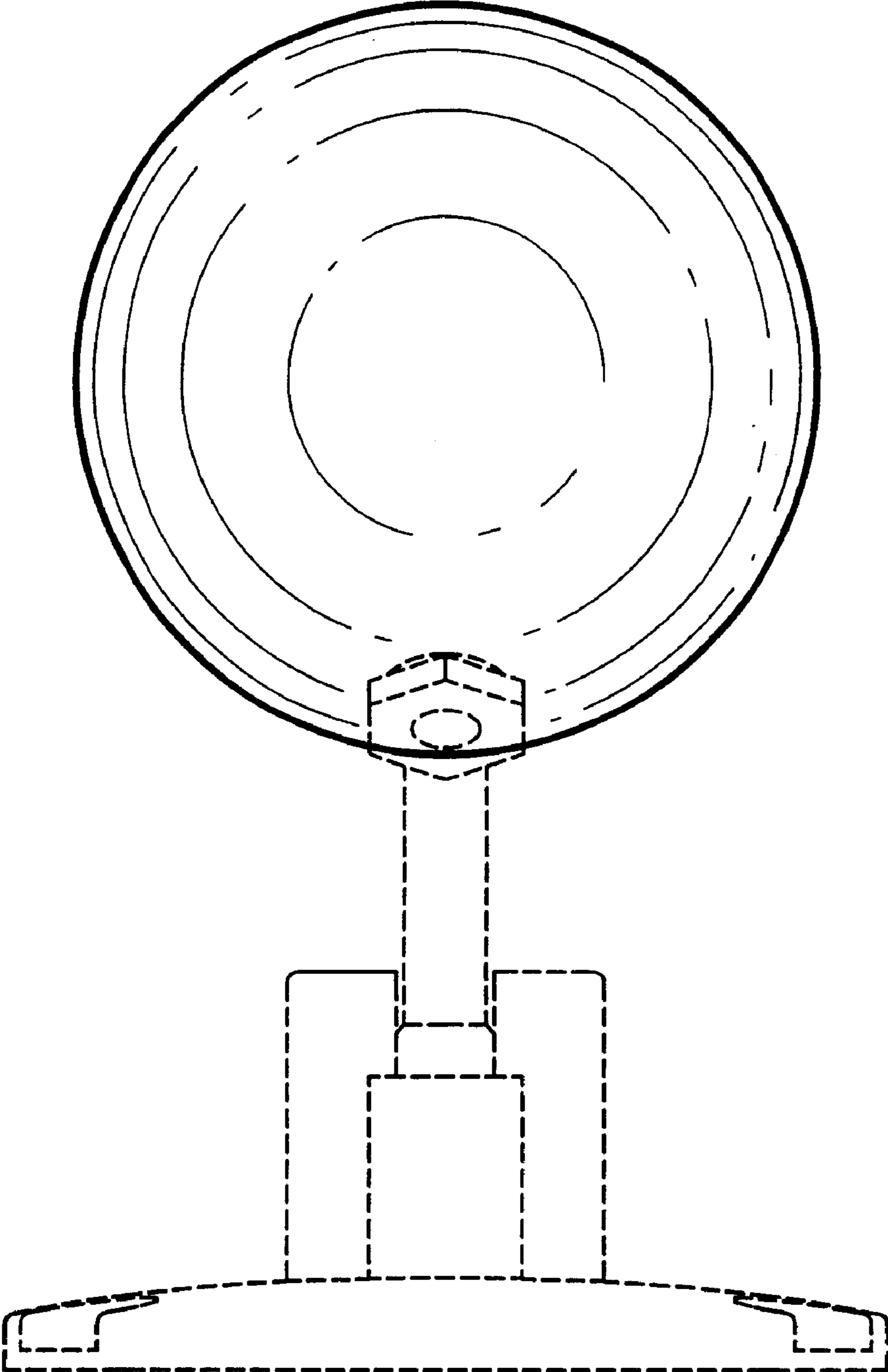


FIG. 6

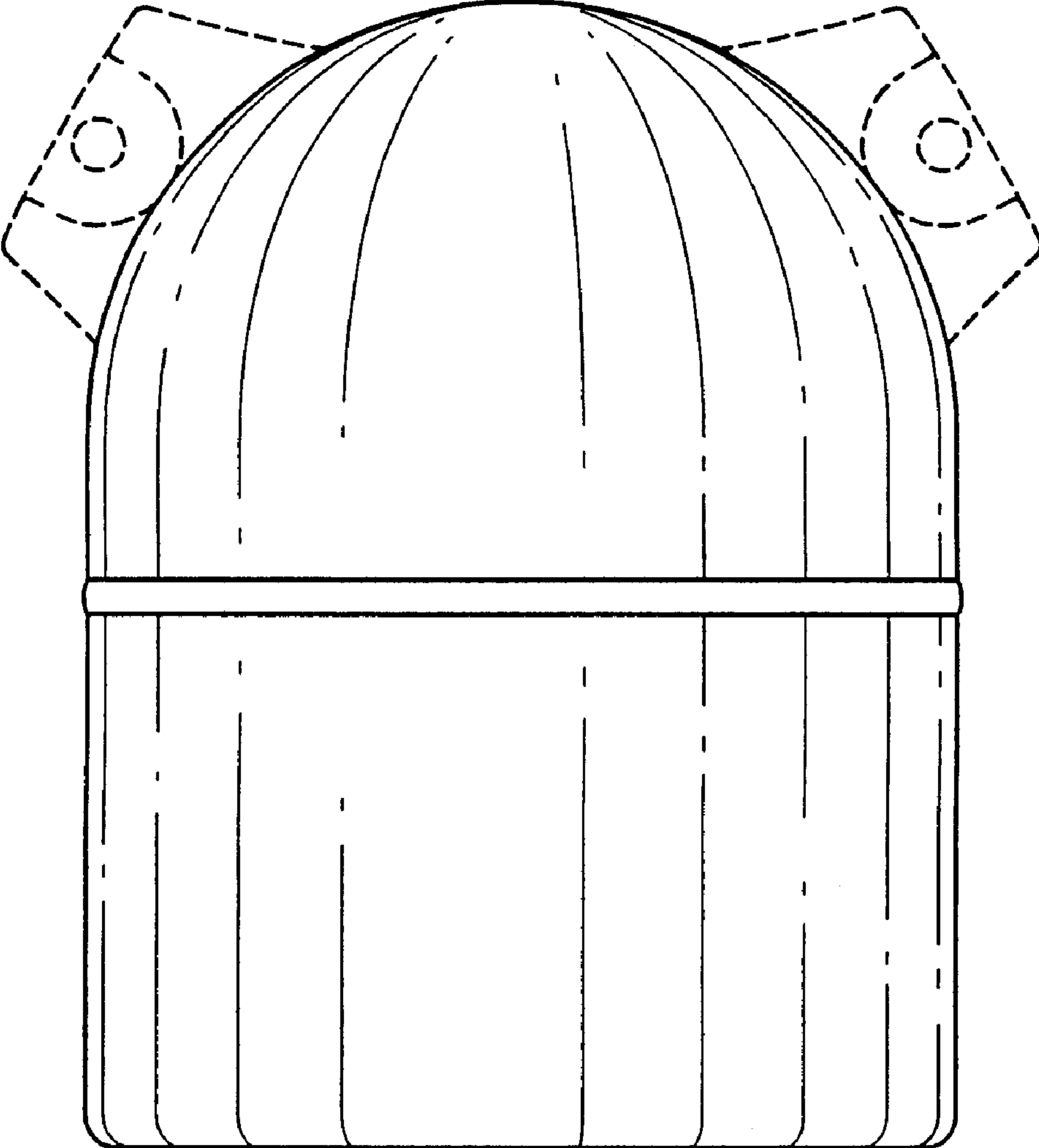


FIG. 7

