

US00D509841S

(12) **United States Design Patent** (10) **Patent No.:** **US D509,841 S**  
**Ou** (45) **Date of Patent:** **\*\* Sep. 20, 2005**

(54) **SURVEILLANCE CAMERA**

6,705,774 B2 \* 3/2004 Tashiro et al. .... 396/427

(75) Inventor: **Seok S. Ou**, Cerritos, CA (US)

\* cited by examiner

(73) Assignee: **PROAM Enterprise Inc.**, Cerritos, CA (US)

*Primary Examiner*—Adir Aronovich

(74) *Attorney, Agent, or Firm*—Park & Sutton LLP; John K. Park

(\*\*) Term: **14 Years**

(57) **CLAIM**

(21) Appl. No.: **29/206,336**

The ornamental design for a surveillance camera, as shown and described.

(22) Filed: **May 27, 2004**

**DESCRIPTION**

(51) **LOC (8) Cl.** ..... **16-01**

(52) **U.S. Cl.** ..... **D16/203; D16/202**

(58) **Field of Search** ..... D16/200–205, D16/208, 218; 348/143, 151, 373–376; 358/906, 909.1; 396/427, 535, 536–541

FIG. 1 is a top, front and left side perspective view of a surveillance camera showing my new design;

FIG. 2 is a bottom, front and right side perspective view thereof;

FIG. 3 is a front elevational view thereof;

FIG. 4 is a right side elevational view thereof;

FIG. 5 is a left side elevational view thereof;

FIG. 6 is a top plan view thereof; and,

FIG. 7 is a bottom plan view thereof.

The broken lines showing of portions of a surveillance camera in FIGS. 1–7 are for illustration purposes only and form no part of the claimed design.

(56) **References Cited**

**U.S. PATENT DOCUMENTS**

D357,929 S	*	5/1995	Pierce	.....	D16/202
D396,869 S	*	8/1998	Yamakawa et al.	.....	D16/202
5,946,404 A	*	8/1999	Bakshi et al.	.....	348/151
D447,758 S	*	9/2001	Lin et al.	.....	D16/203
D454,900 S	*	3/2002	Tsang et al.	.....	D16/202
D470,874 S	*	2/2003	Chiu	.....	D16/202

**1 Claim, 7 Drawing Sheets**

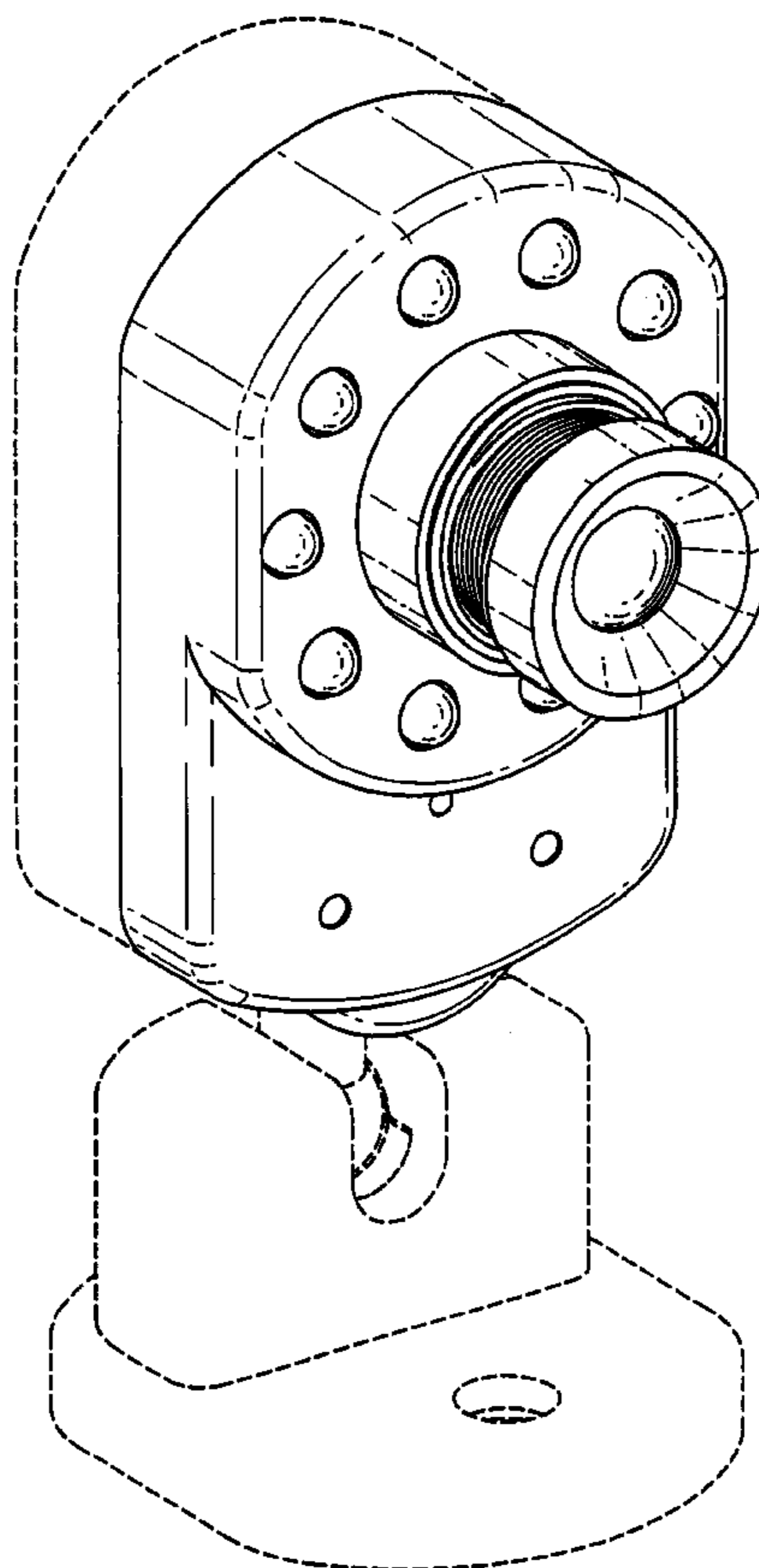


FIG. 1

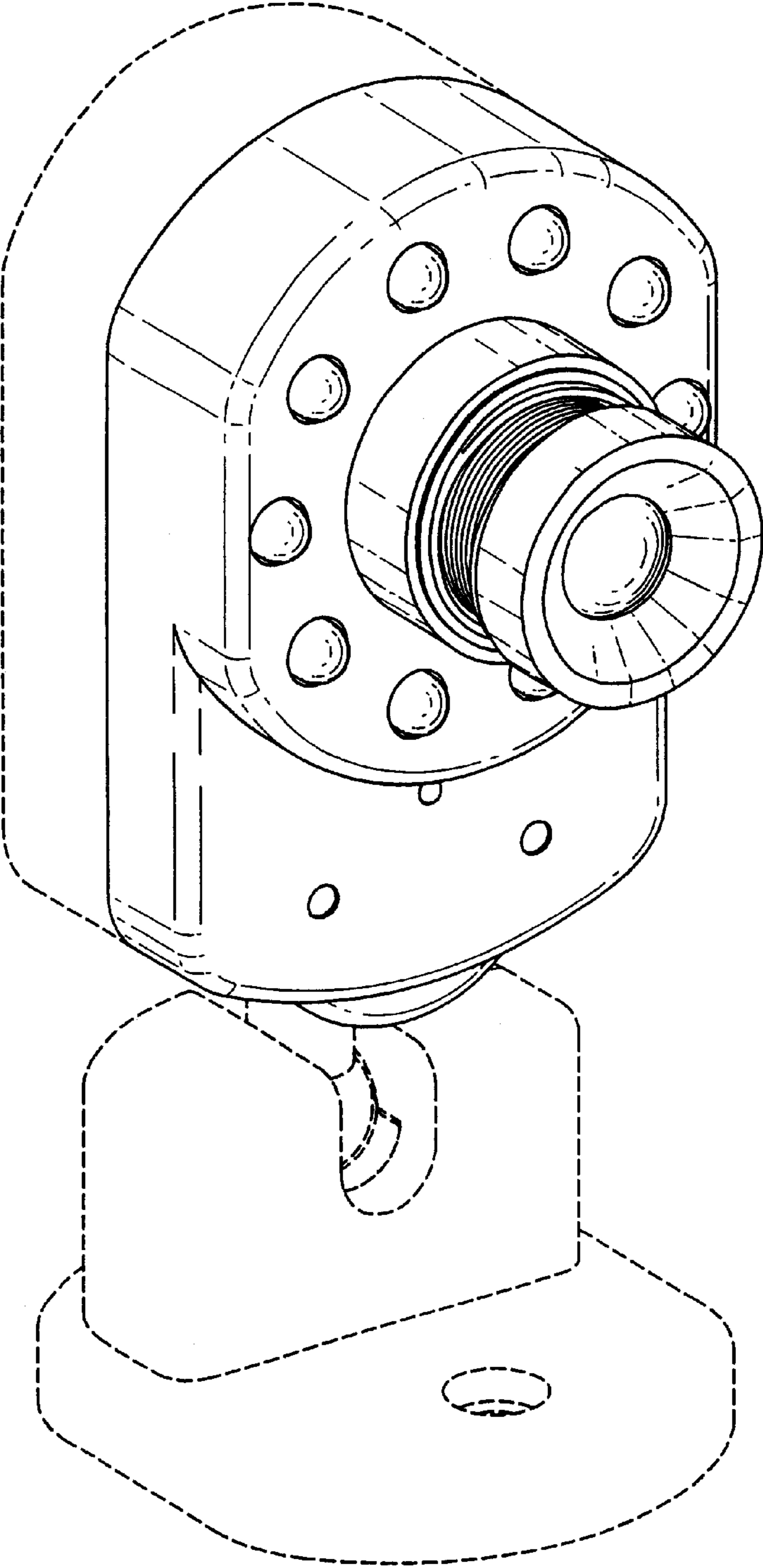


FIG. 2

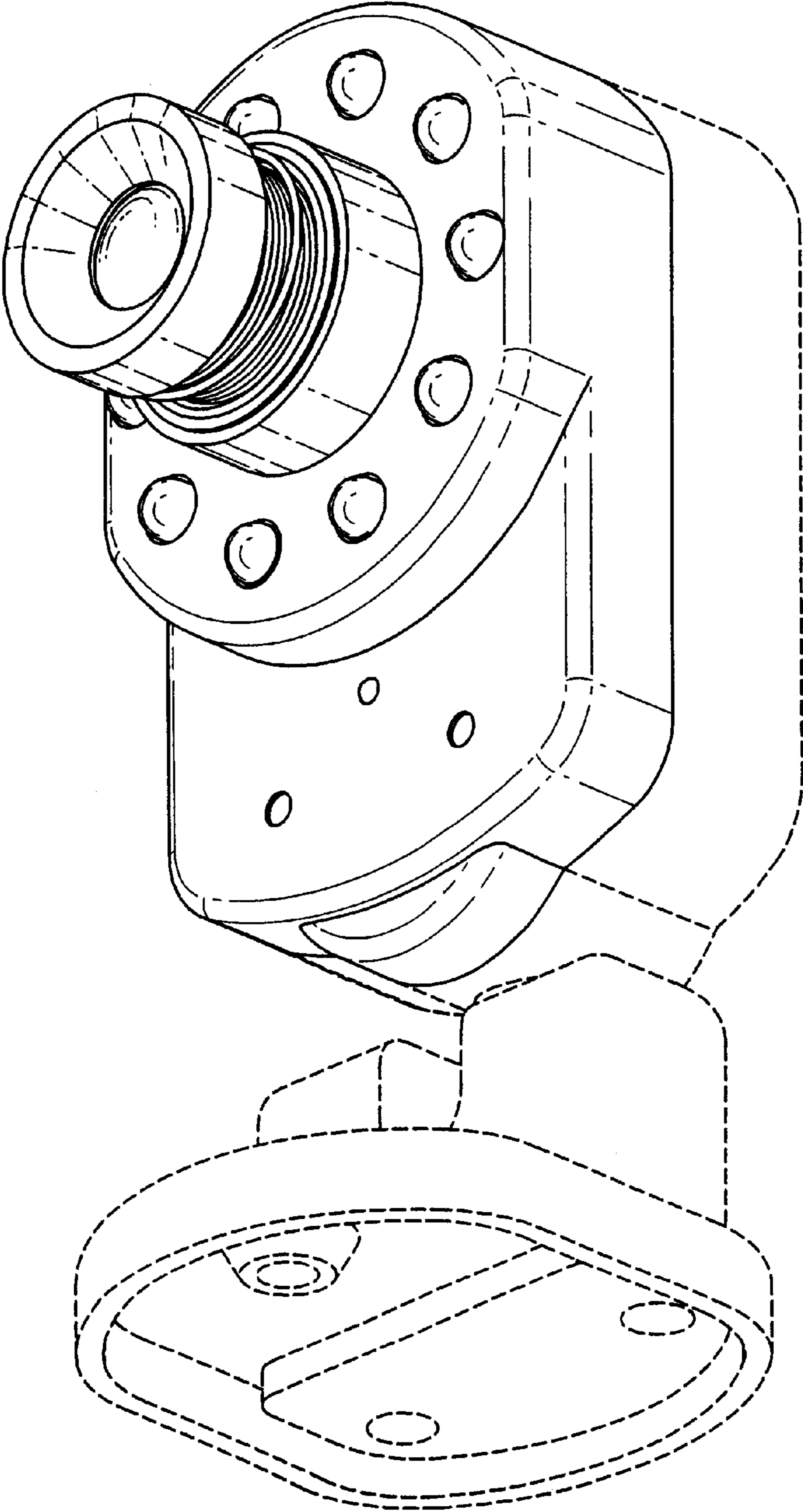


FIG. 3

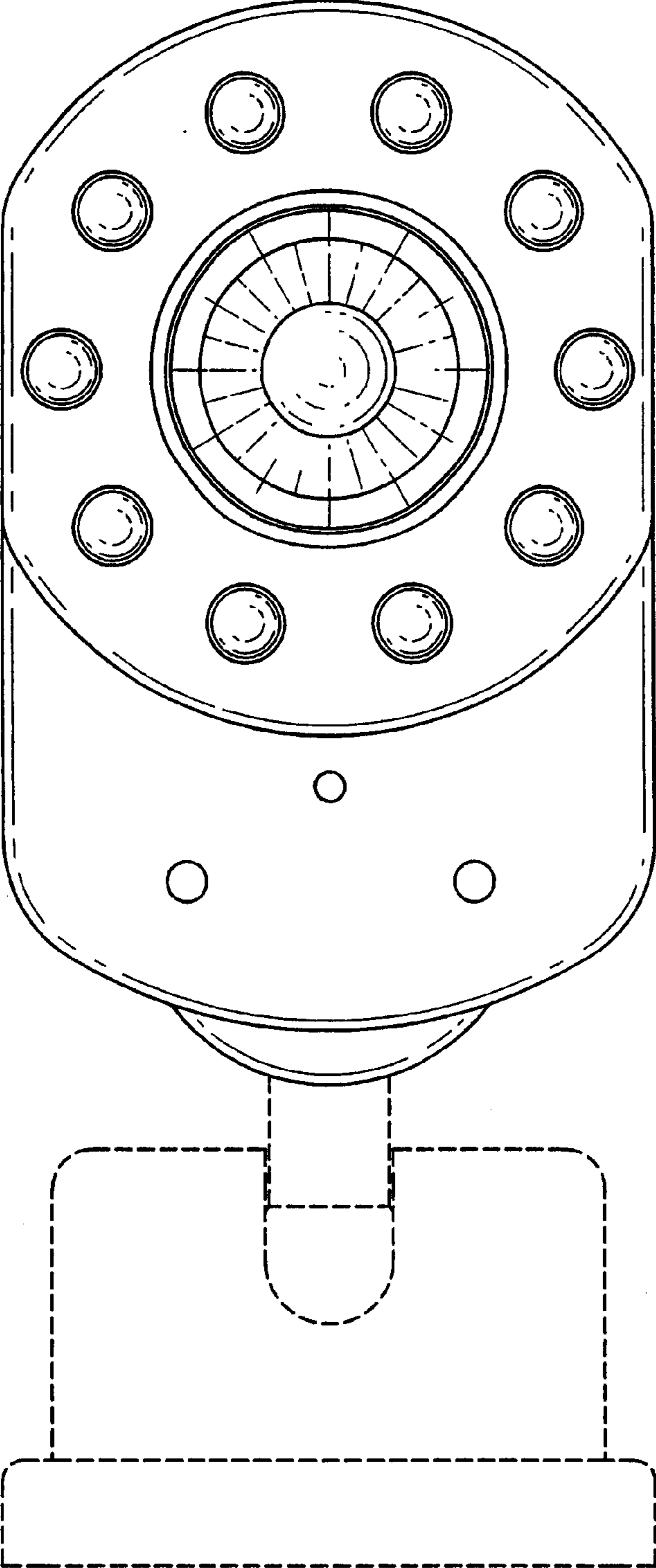


FIG. 4

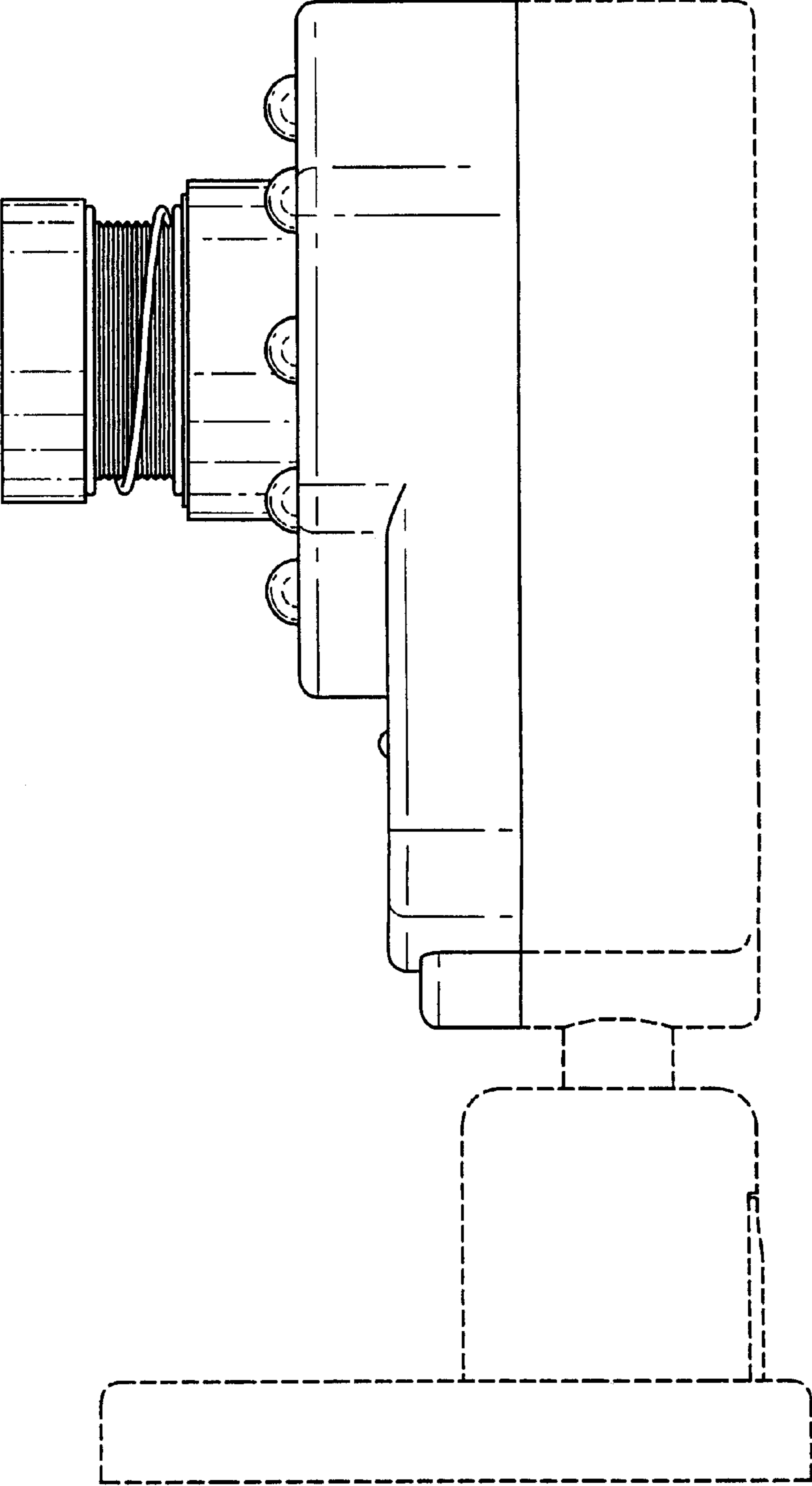


FIG. 5

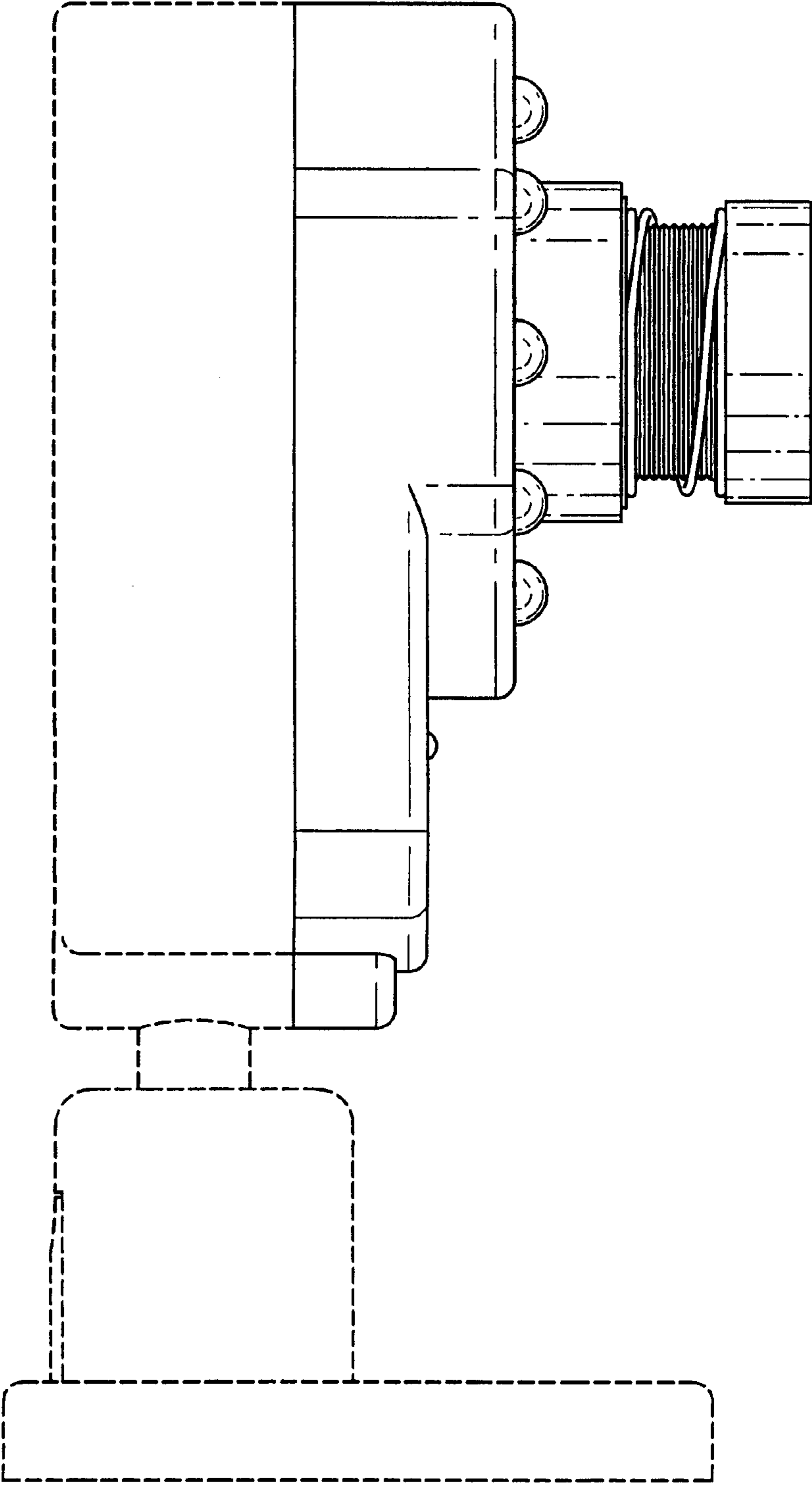




FIG. 6

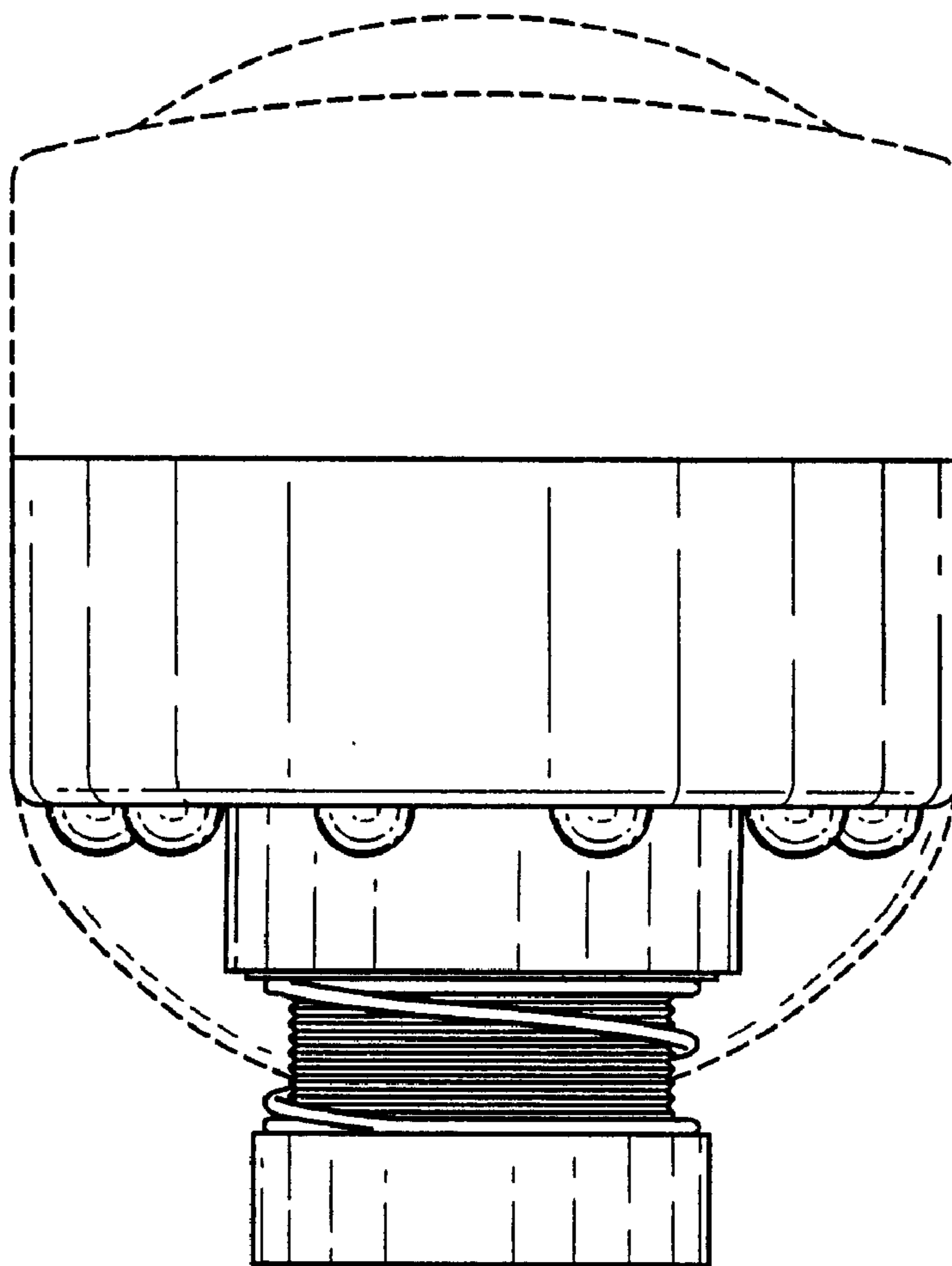


FIG. 7

