



US00D509840S

(12) **United States Design Patent**
Lewis

(10) **Patent No.: US D509,840 S**
(45) **Date of Patent: ** Sep. 20, 2005**

- (54) **ILLUMINATING MAGNIFIER**
- (75) Inventor: **Richard Lewis**, Hemel Hempstead (GB)
- (73) Assignee: **Carclo Technical Plastics (Slough) Limited** (GB)
- (**) Term: **14 Years**
- (21) Appl. No.: **29/214,588**
- (22) Filed: **Oct. 6, 2004**
- (51) **LOC (8) Cl.** **16-06**
- (52) **U.S. Cl.** **D16/135**
- (58) **Field of Search** D16/130, 135;
359/798, 802, 803, 805, 808, 809, 810,
811, 812, 816, 817, 818, 819, 821; 362/136,
560, 577, 109; D6/300, 309; D24/137;
600/558

- D269,275 S * 6/1983 Tweedie D16/135
- D303,119 S * 8/1989 Steel et al. D16/135
- 4,903,706 A * 2/1990 Vila-Cora et al. 600/558
- D324,060 S * 2/1992 Huang D16/135
- D395,907 S * 7/1998 Calello D16/135

* cited by examiner

Primary Examiner—Paula A. Greene
(74) *Attorney, Agent, or Firm*—Rankin, Hill, Porter & Clark LLP

(57) **CLAIM**

The ornamental design for a illuminating magnifier, as shown and described.

DESCRIPTION

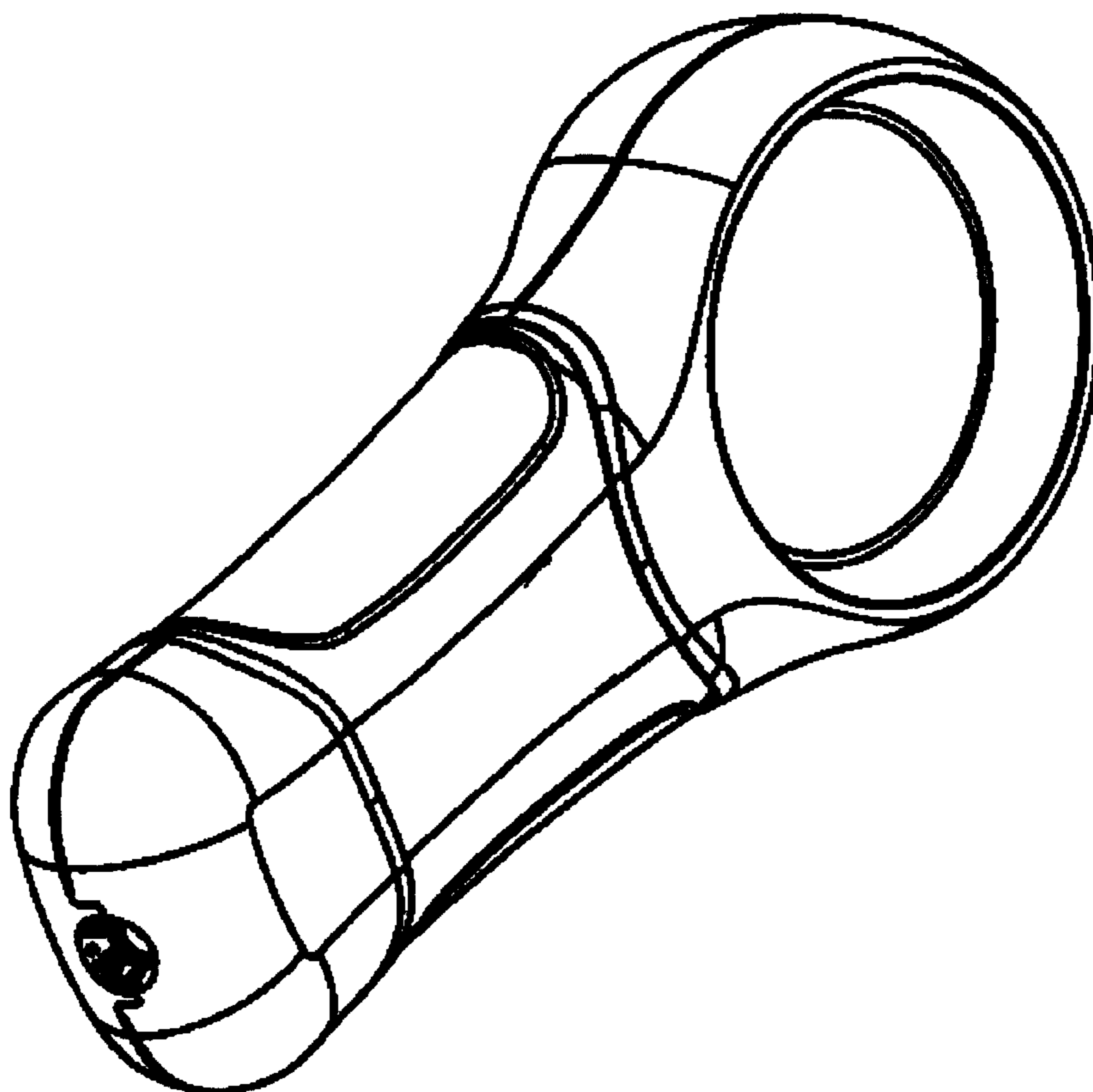
FIG. 1 is a perspective view of an illuminating magnifier showing may new design;
FIG. 2 is a side elevational view thereof; and,
FIG. 3 is an elevational view thereof from the other side.

(56) **References Cited**

U.S. PATENT DOCUMENTS

- D217,506 S * 5/1970 Knoetgen D16/135

1 Claim, 1 Drawing Sheet



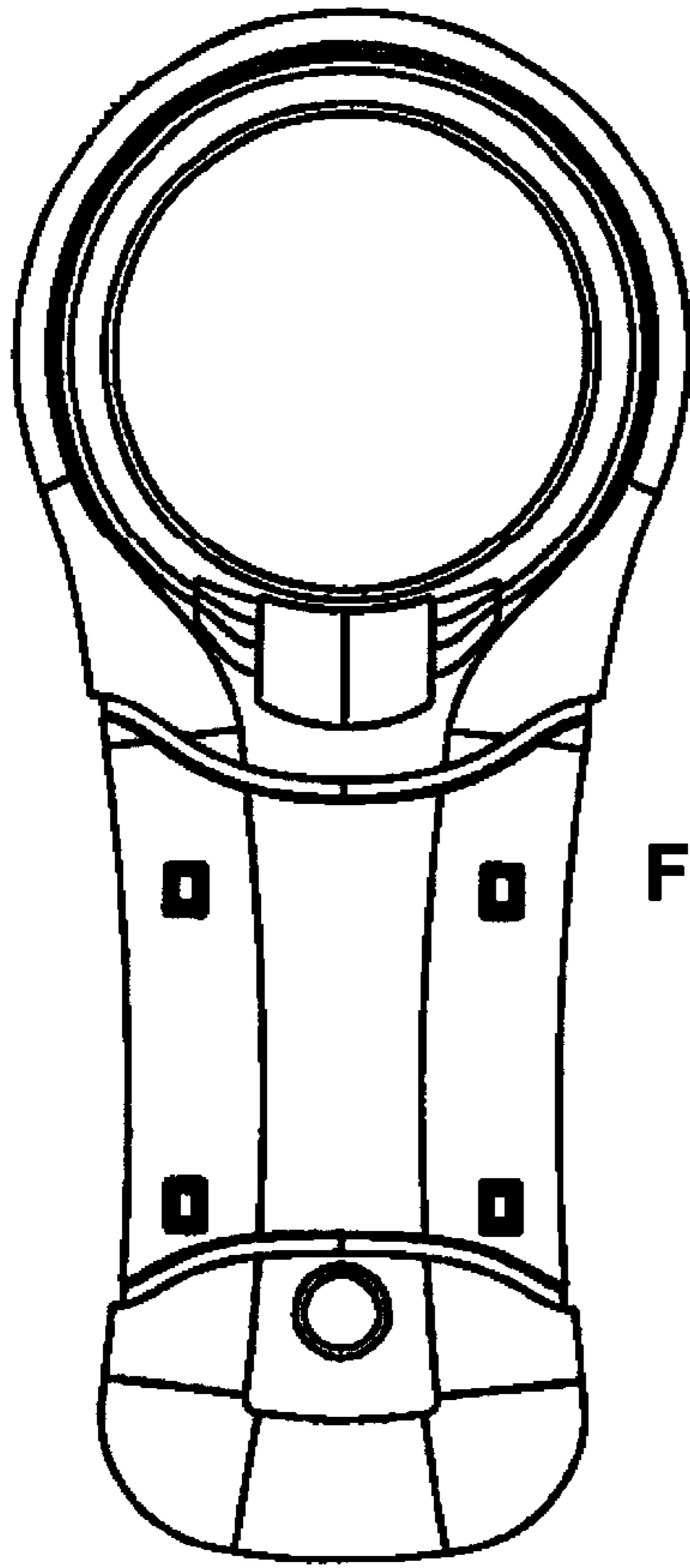


FIG. 2

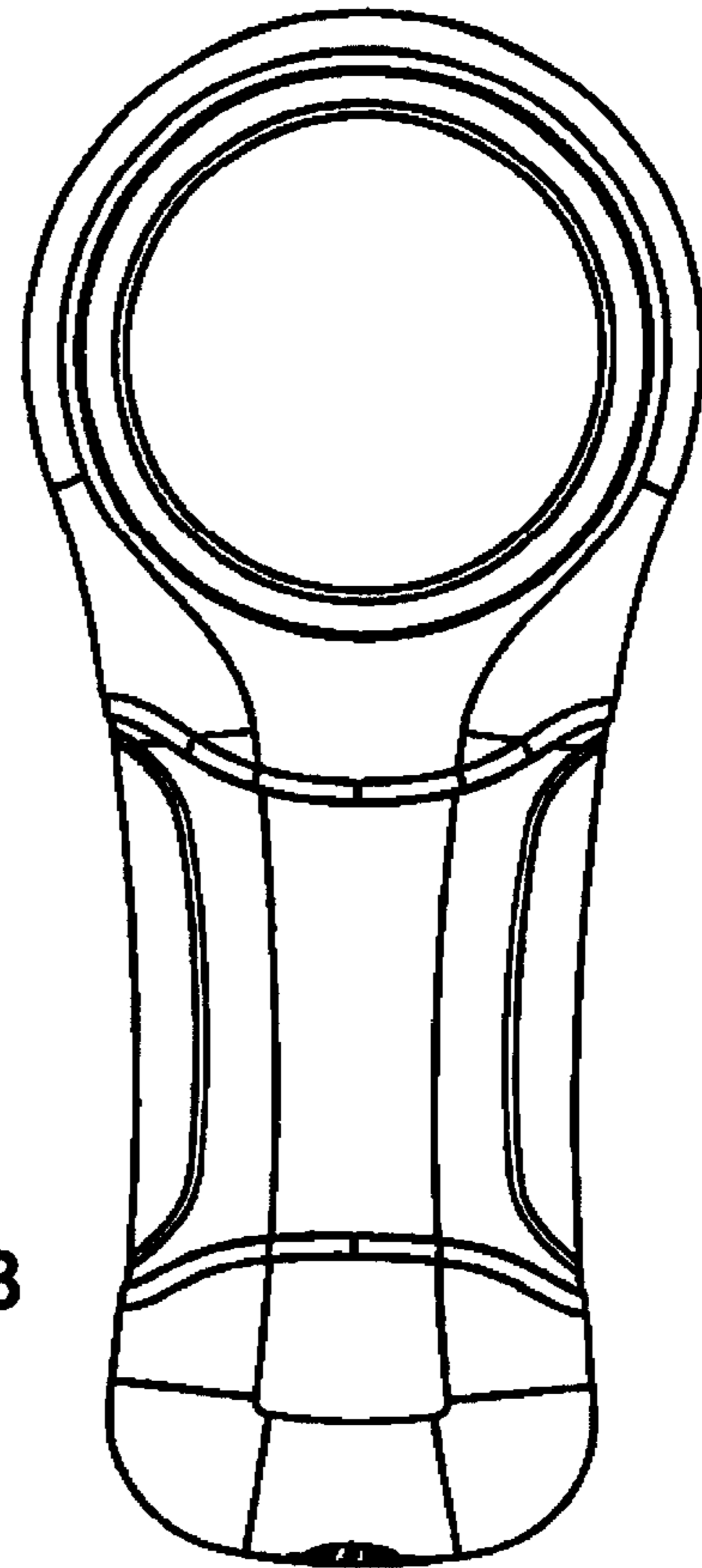


FIG. 3

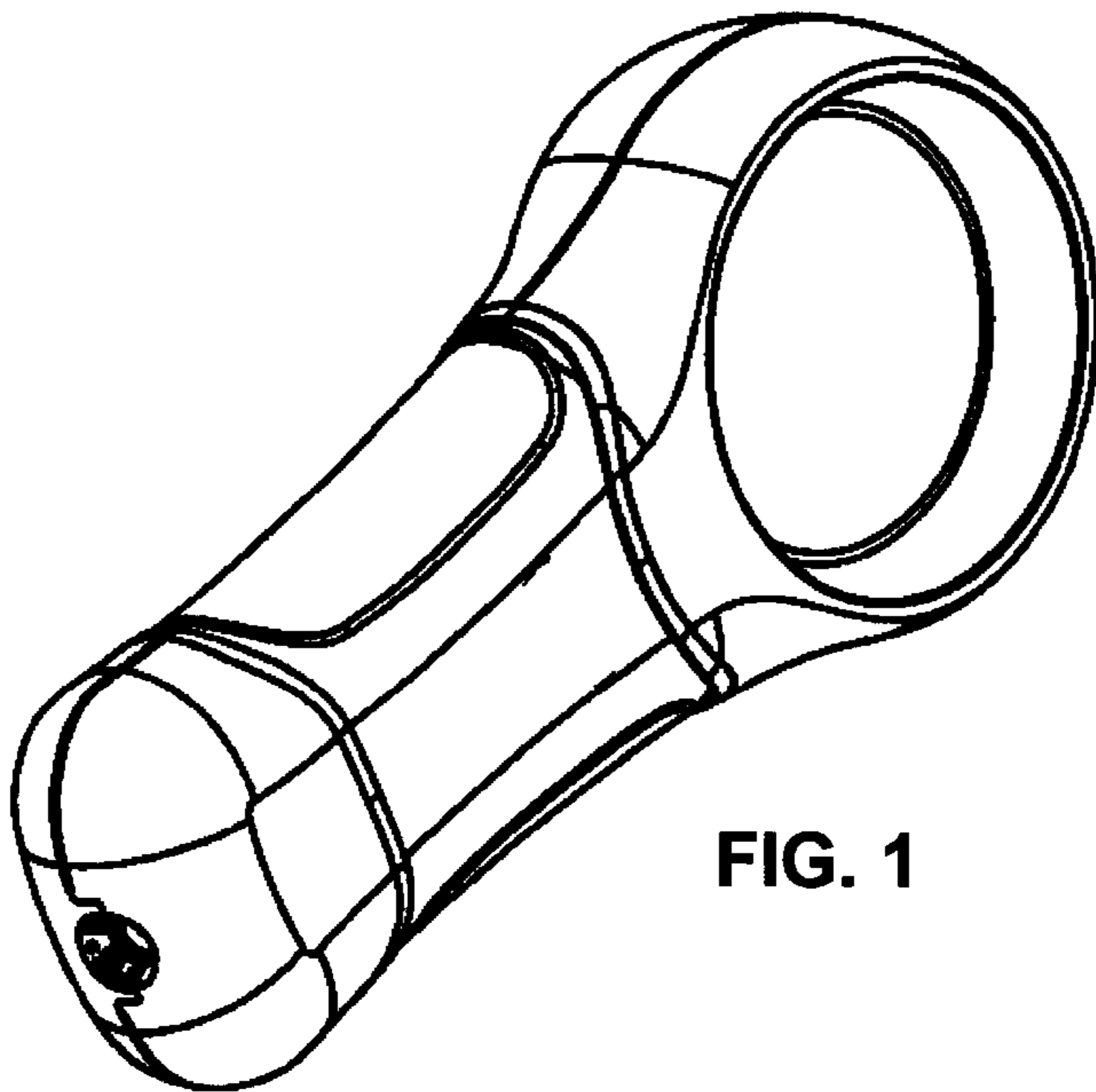


FIG. 1