

US00D509838S

(12) **United States Design Patent**
Wong

(10) **Patent No.:** **US D509,838 S**

(45) **Date of Patent:** **** Sep. 20, 2005**

(54) **TIRE SEALANT KIT**

6,705,360 B1 * 3/2004 Bonzer 141/38
6,789,581 B2 * 9/2004 Cowan et al. 141/38

(75) **Inventor:** **Wai Kan Wong, Hong Kong (HK)**

* cited by examiner

(73) **Assignee:** **Good Hope (Hong Kong) Limited, Kwai Chung (HK)**

Primary Examiner—Antoine D. Davis
(74) *Attorney, Agent, or Firm*—Sierra Patent Group, Ltd.

(**) **Term:** **14 Years**

(57) **CLAIM**

(21) **Appl. No.:** **29/199,107**

The ornamental design for a tire sealant kit, as shown and described.

(22) **Filed:** **Feb. 9, 2004**

(51) **LOC (8) Cl.** **15-99**

(52) **U.S. Cl.** **D15/199; D8/105**

(58) **Field of Search** **D8/105, 499; 141/38, 141/67, 100; 152/415**

DESCRIPTION

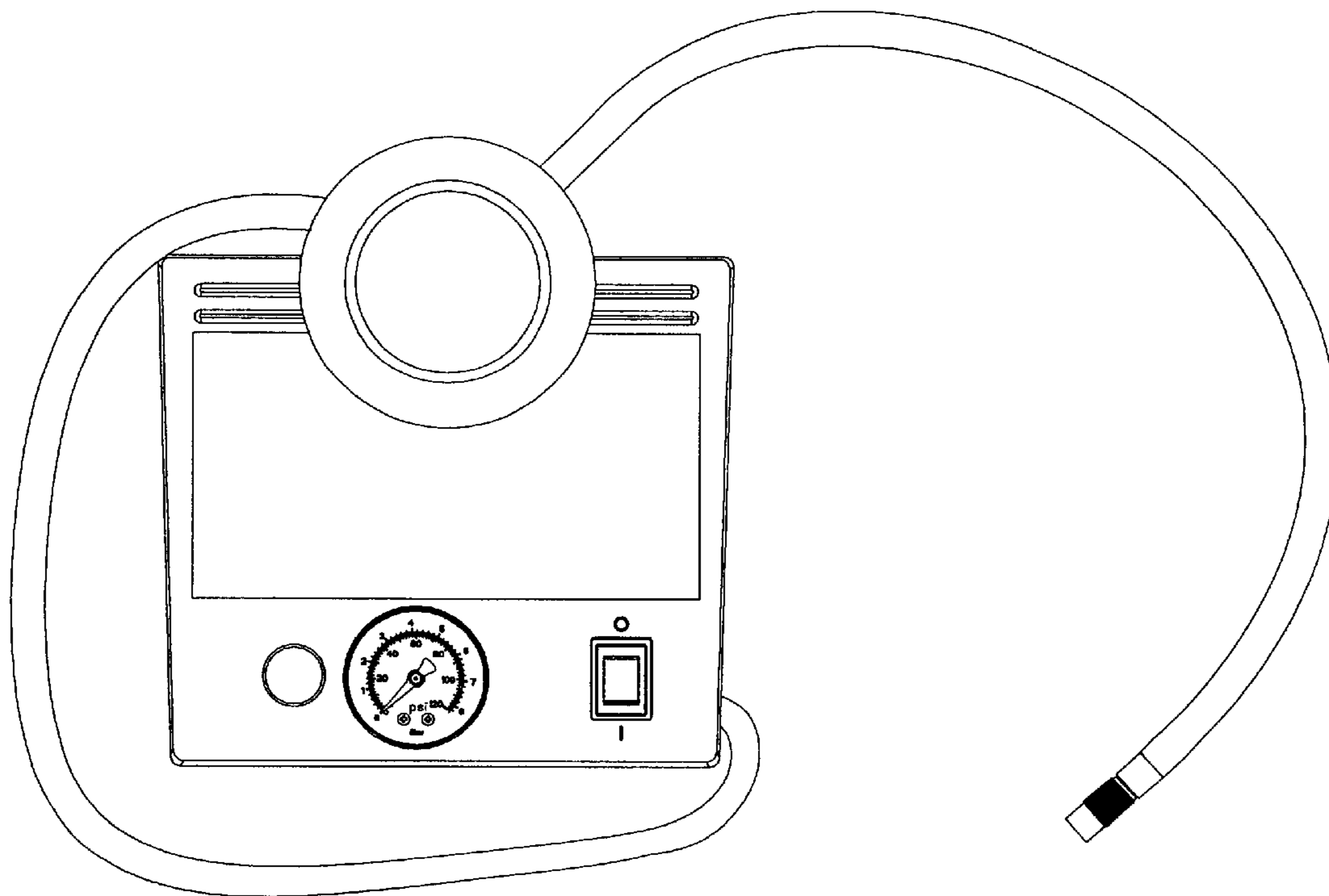
FIG. 1 is a front view of a tire sealant kit.
FIG. 2 is a side view of a tire sealant kit.
FIG. 3 is a bottom view of a tire sealant kit.
FIG. 4 is a top view of a tire sealant kit.
FIG. 5 is another side view of a tire sealant kit; and,
FIG. 6 is a back view of a tire sealant kit.

(56) **References Cited**

U.S. PATENT DOCUMENTS

6,345,650 B1 * 2/2002 Paasch et al. 406/38
6,374,876 B2 * 4/2002 Bynum 141/100

1 Claim, 6 Drawing Sheets



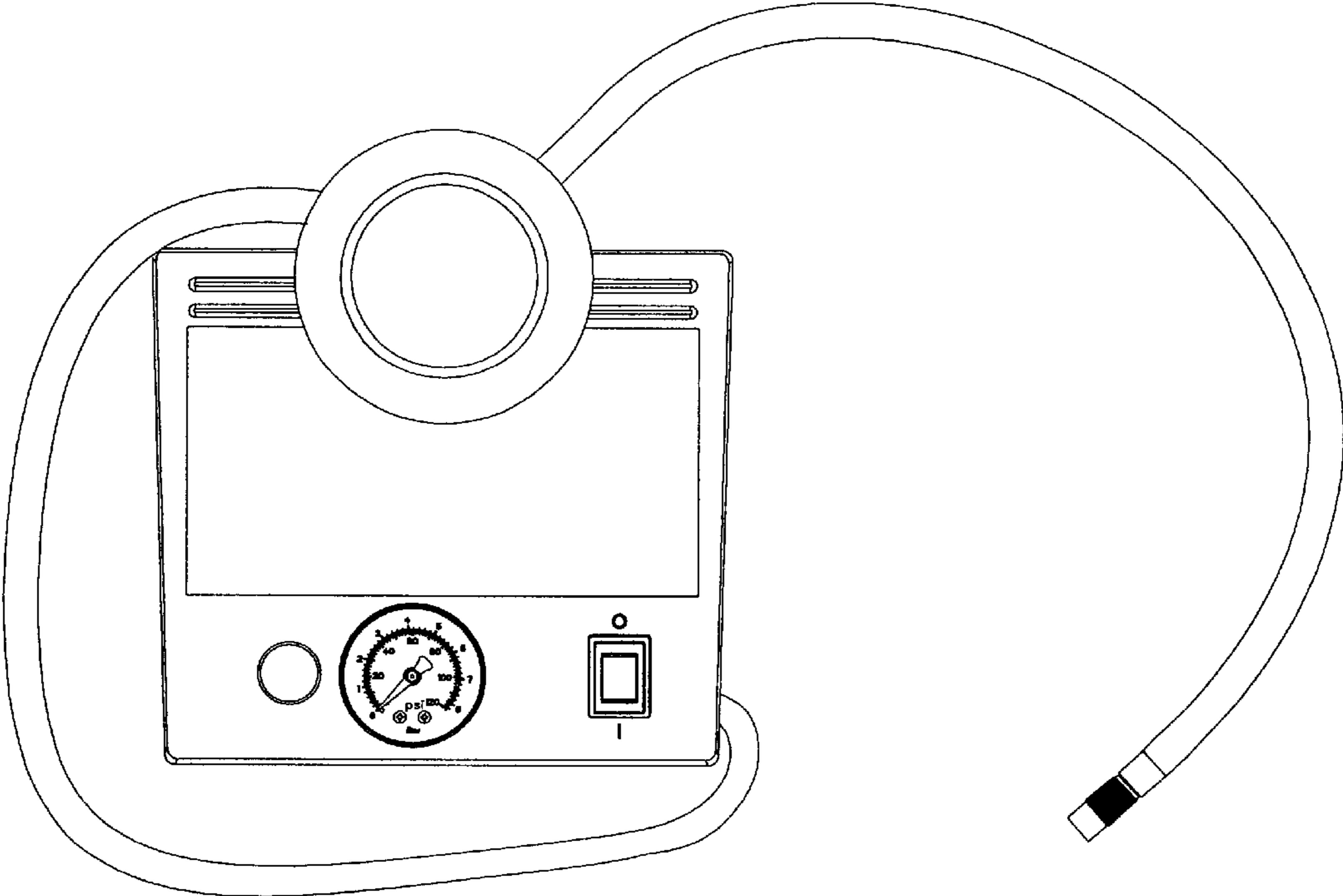


Fig. 1

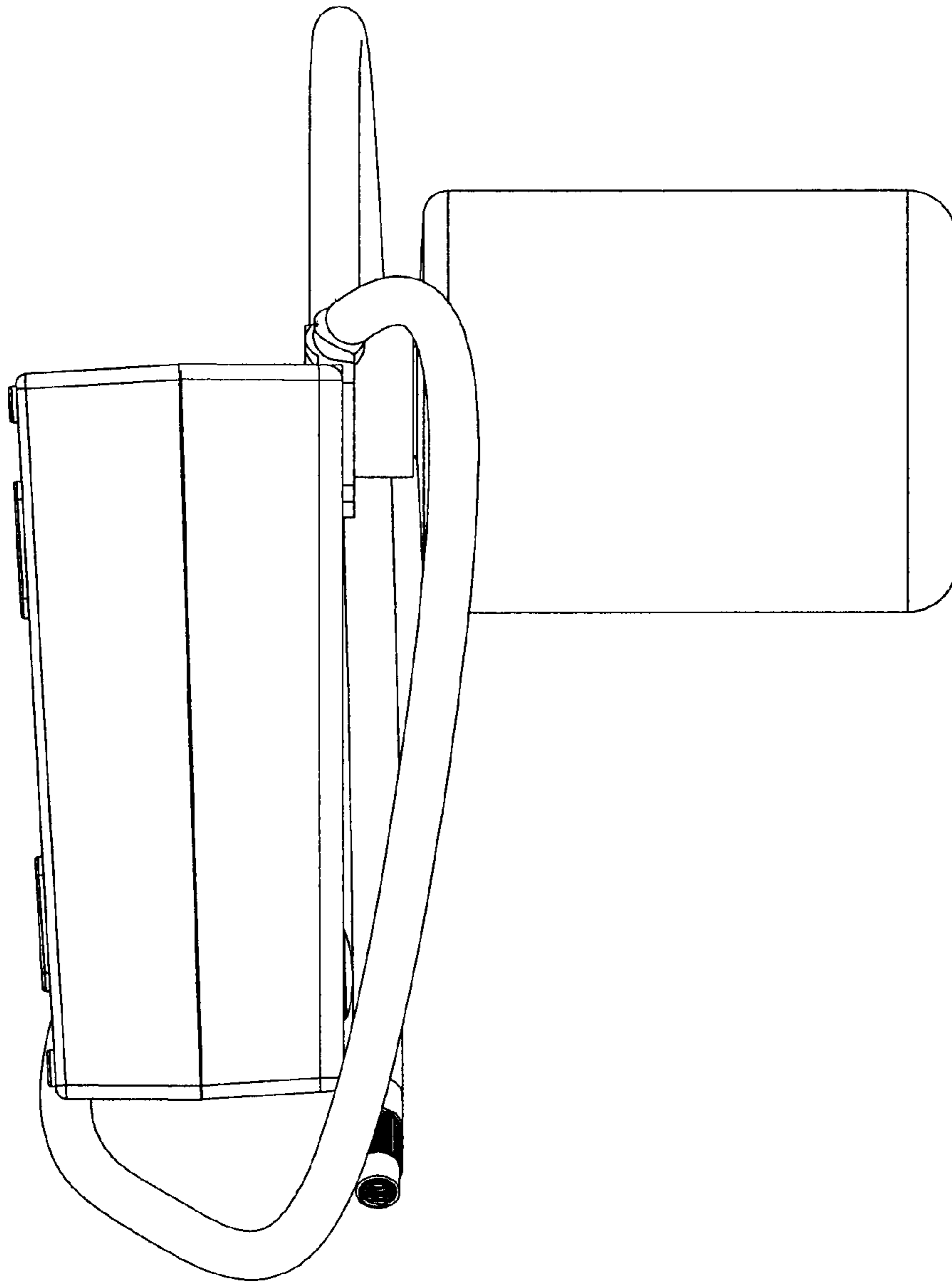


Fig. 2

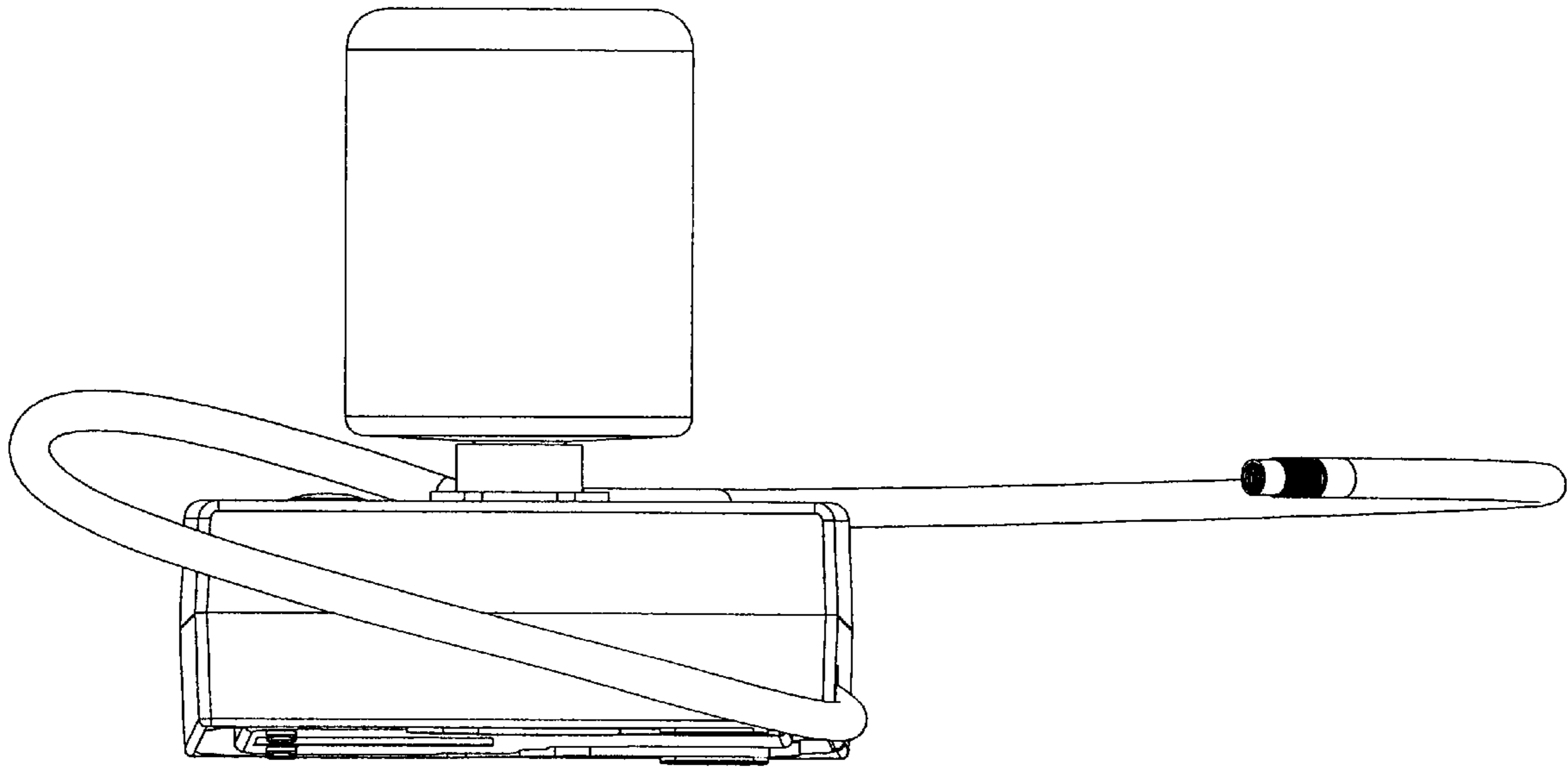


Fig. 3

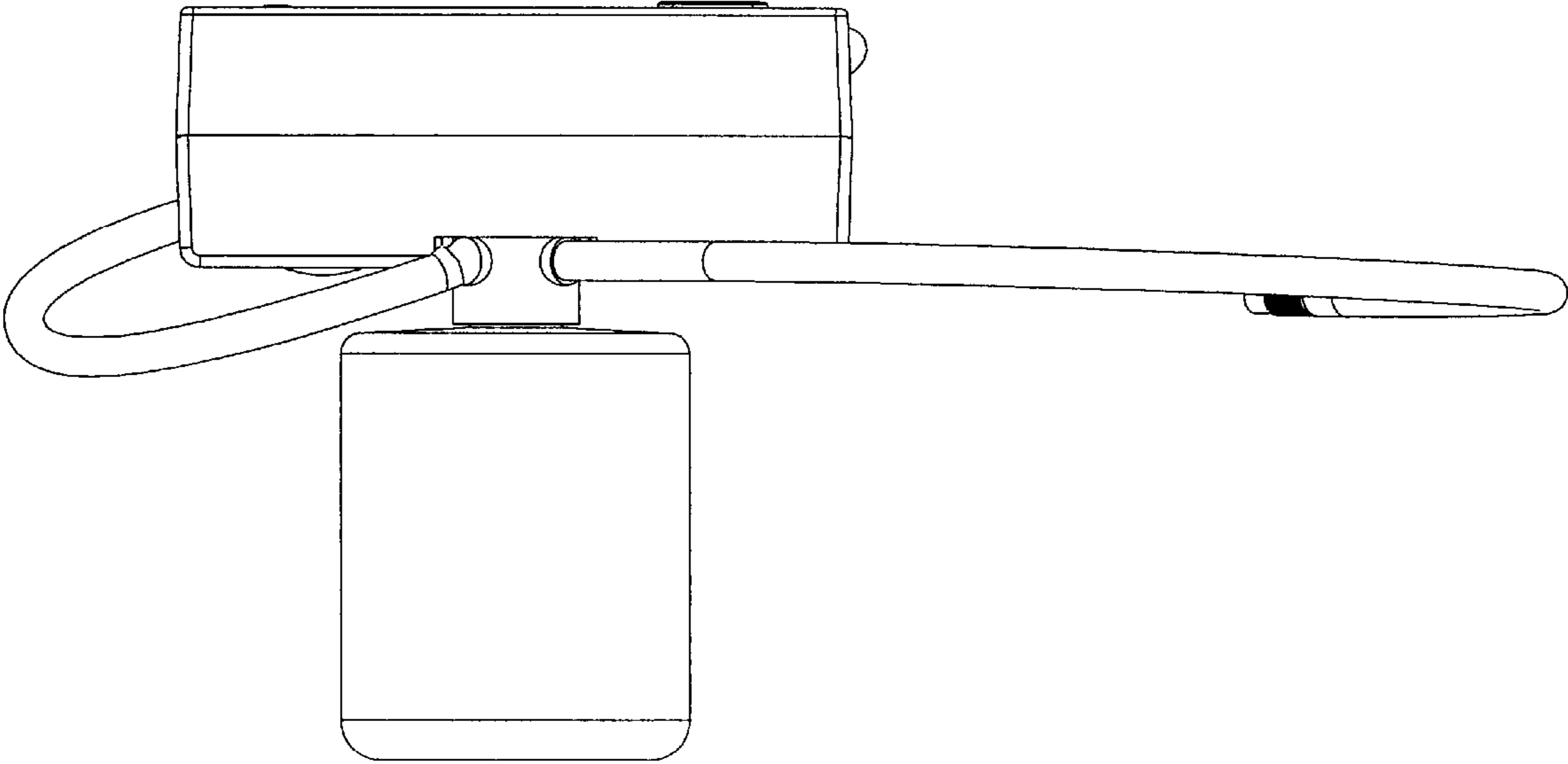


Fig. 4

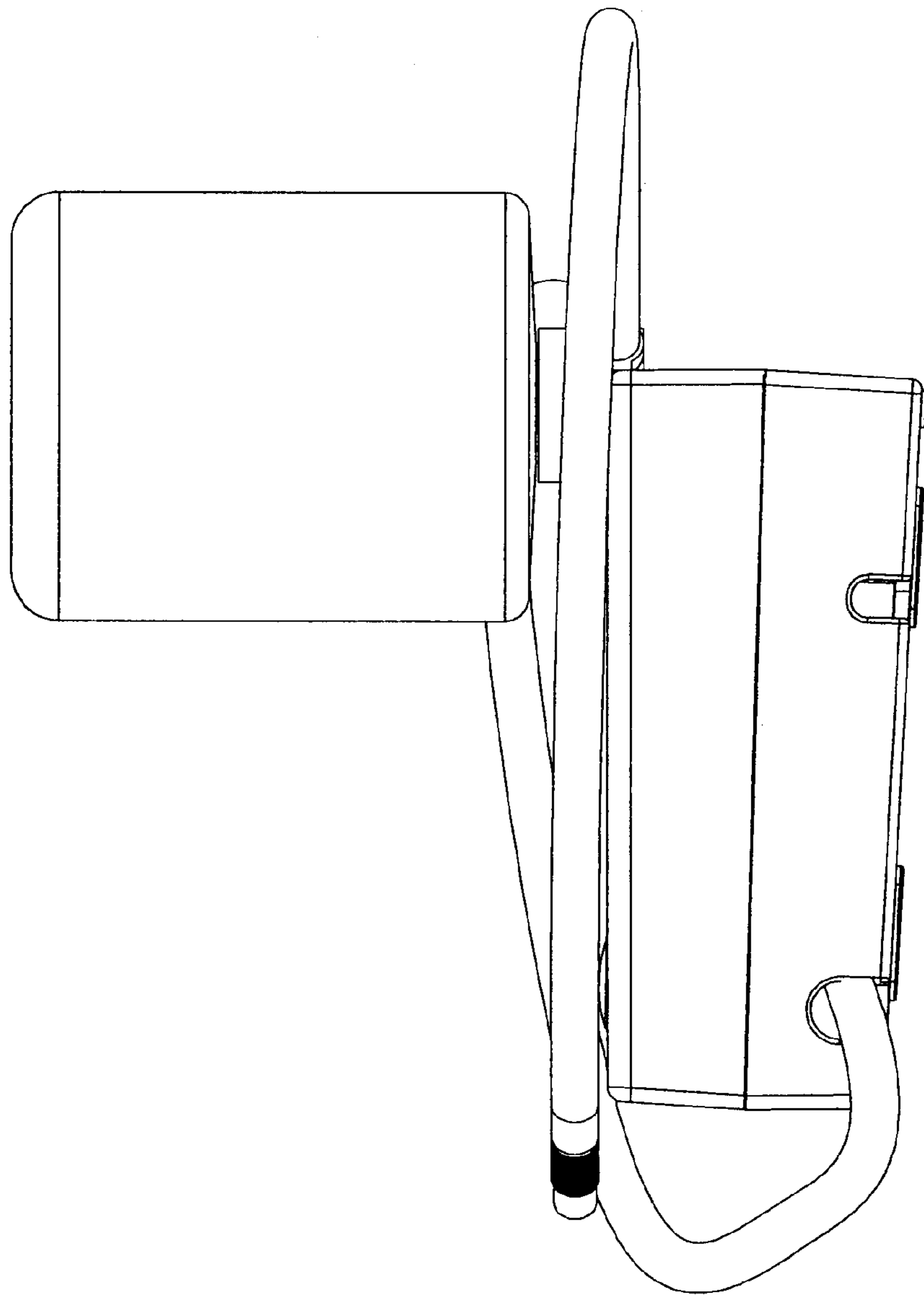


Fig. 5

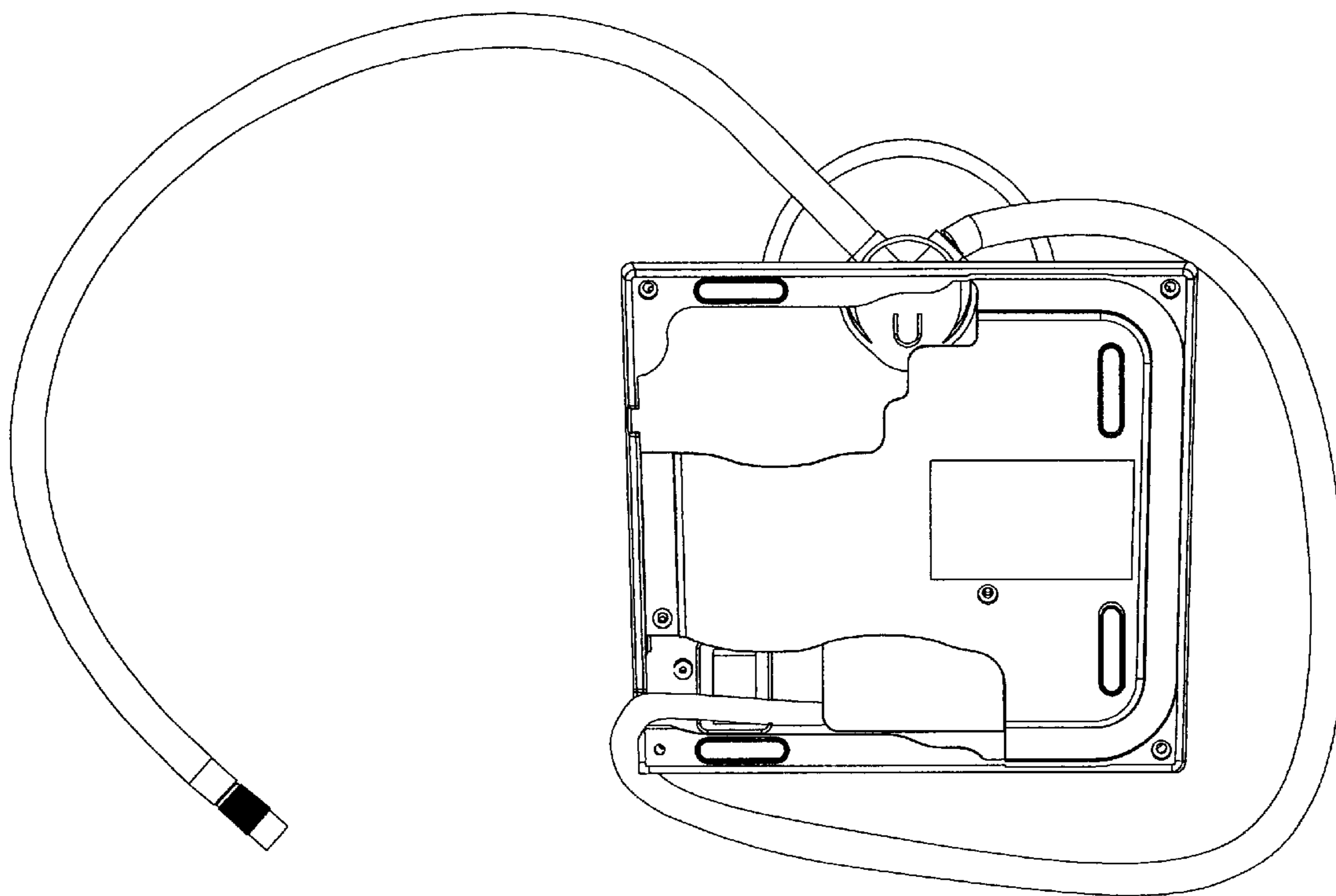


Fig. 6