



US00D509837S

(12) **United States Design Patent**
Sesona

(10) **Patent No.: US D509,837 S**

(45) **Date of Patent: ** Sep. 20, 2005**

(54) **ELECTRIC GRINDER**

(76) **Inventor: Albert J. Sesona**, 7731 Manassas Ct.
W., Jacksonville, FL (US) 32277

(**) **Term: 14 Years**

(21) **Appl. No.: 29/214,862**

(22) **Filed: Oct. 12, 2004**

(51) **LOC (8) Cl. 15-09**

(52) **U.S. Cl. D15/125**

(58) **Field of Search D15/124-126;**
451/47, 56, 324, 443, 541, 547, 548-551,
158-160

(56) **References Cited**

U.S. PATENT DOCUMENTS

D488,821 S * 4/2004 Wang D15/125

* cited by examiner

Primary Examiner—Antoine D. Davis

(74) *Attorney, Agent, or Firm*—Arthur G. Yeager

(57) **CLAIM**

The ornamental design for an electric grinder, as shown and described.

DESCRIPTION

FIG. 1 is a front perspective view of an electric grinder without a plug-in electrical cord, showing my new design in accord with my invention;

FIG. 2 is a front side elevational view thereof, showing the cord broken to indicate indeterminate length;

FIG. 3 is a rear side elevational view thereof;

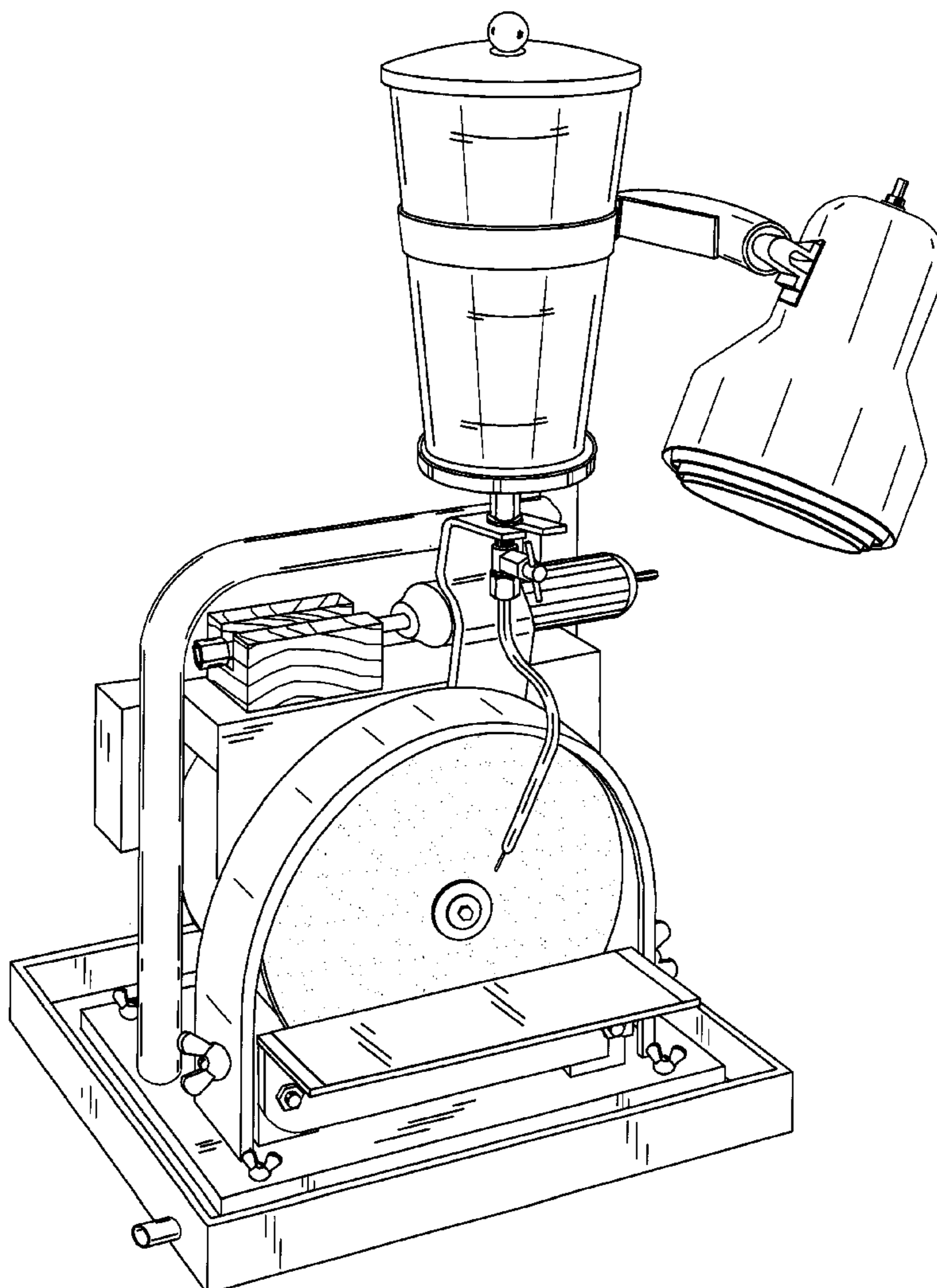
FIG. 4 is a right side elevational view thereof;

FIG. 5 is a left side elevational view thereof;

FIG. 6 is a top plan view thereof; and,

FIG. 7 is a bottom plan view thereof, without the cord and other components extending beyond the drain pan bottom.

1 Claim, 7 Drawing Sheets



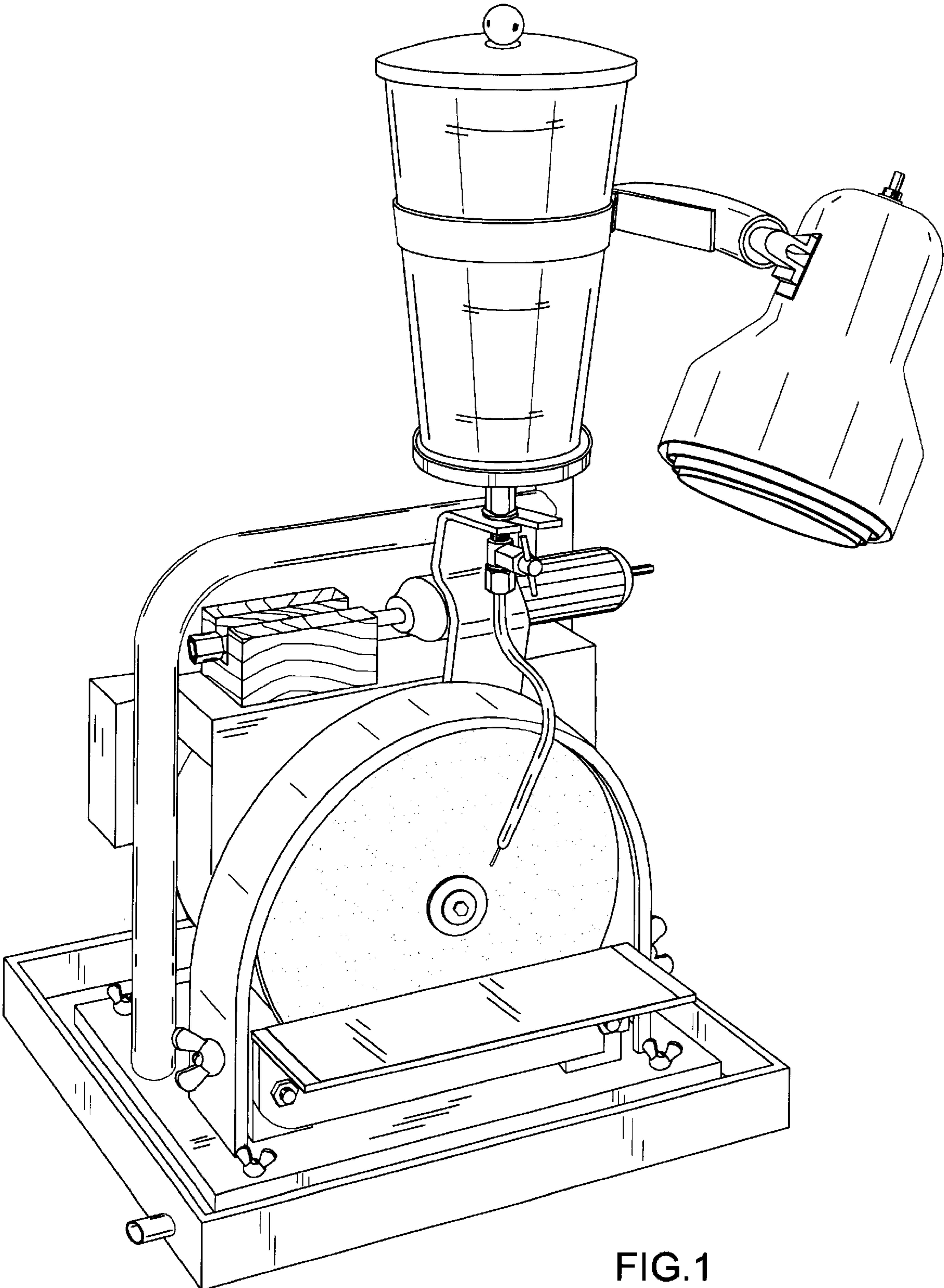


FIG. 1

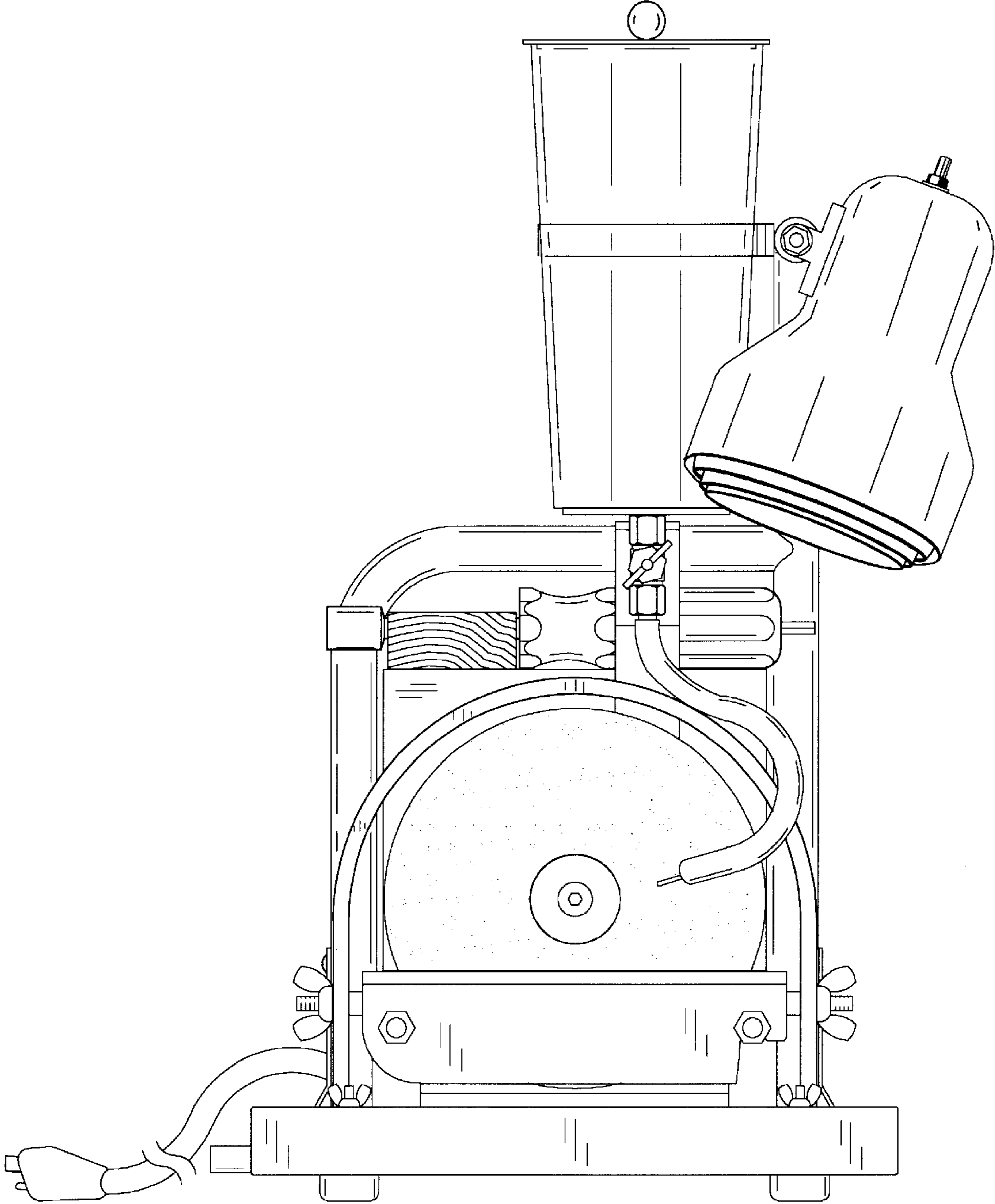


FIG.2

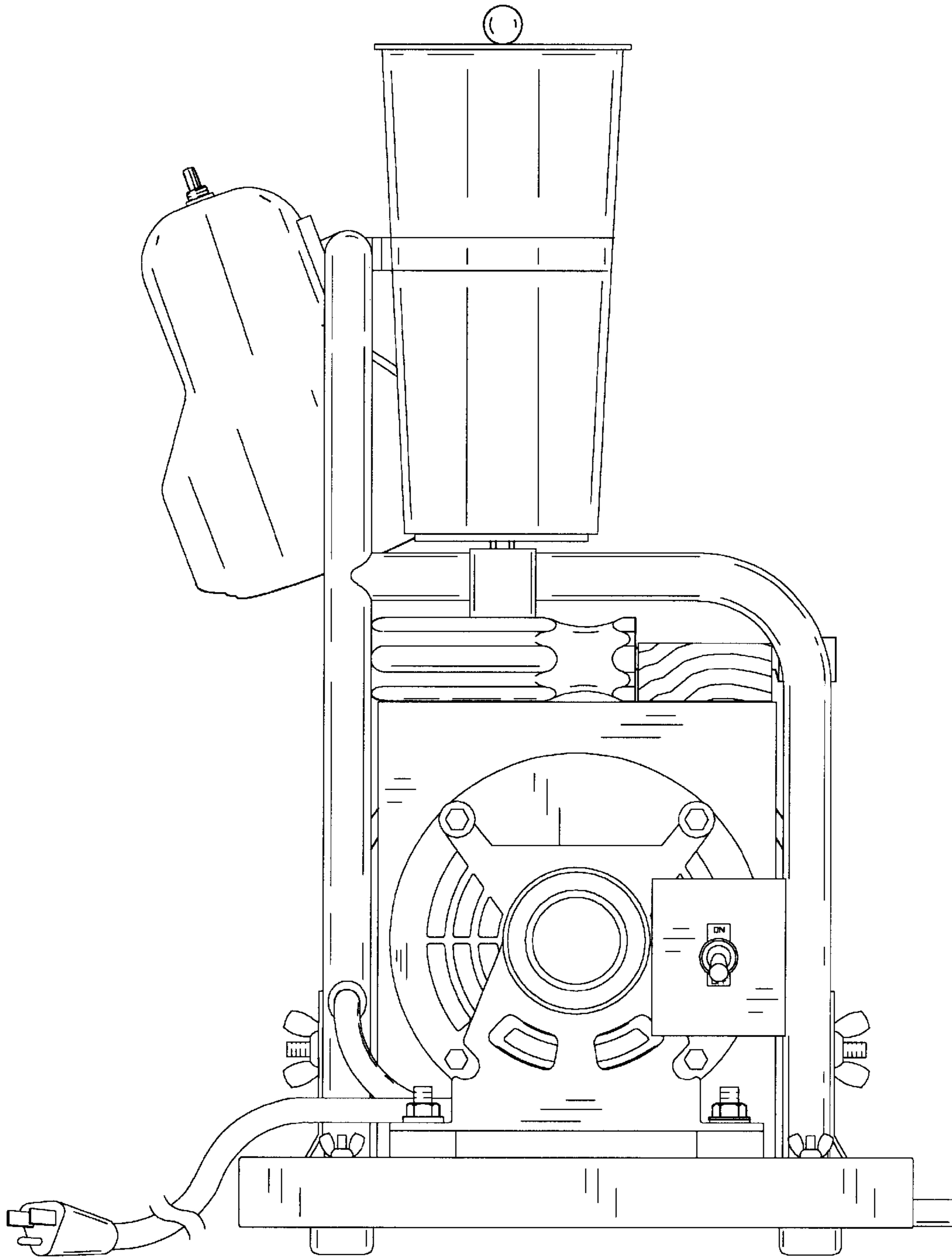


FIG.3

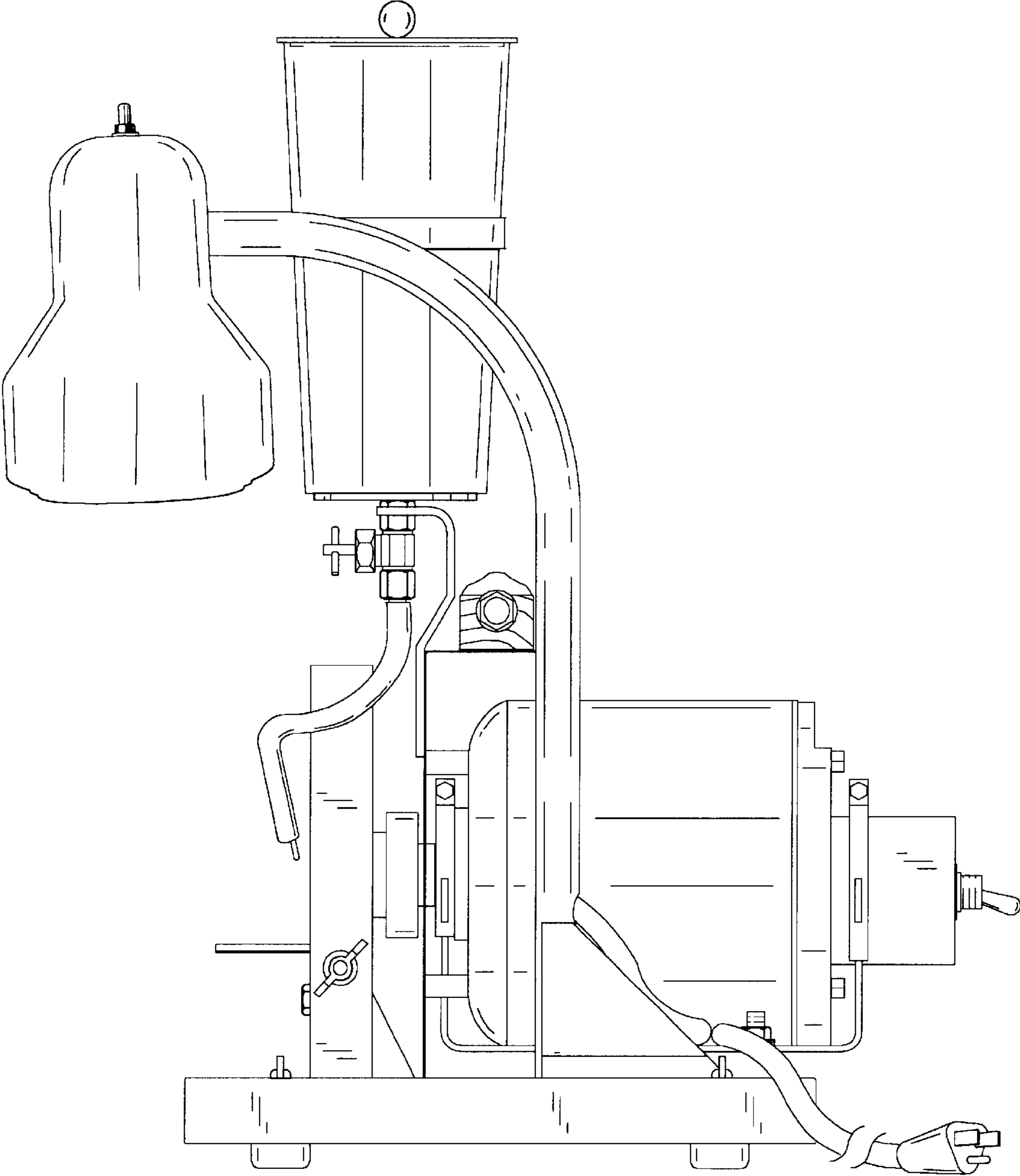


FIG.4

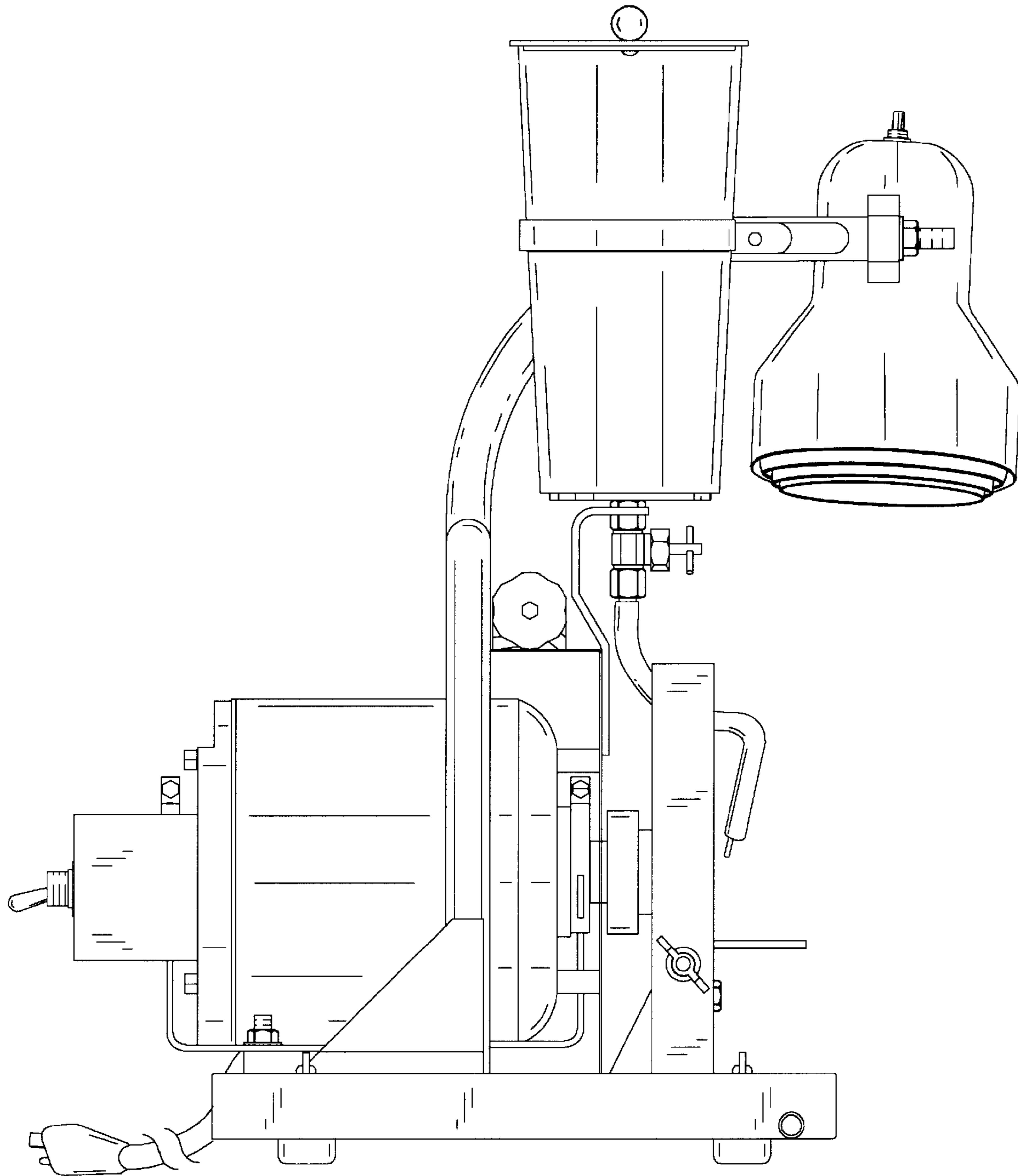


FIG.5

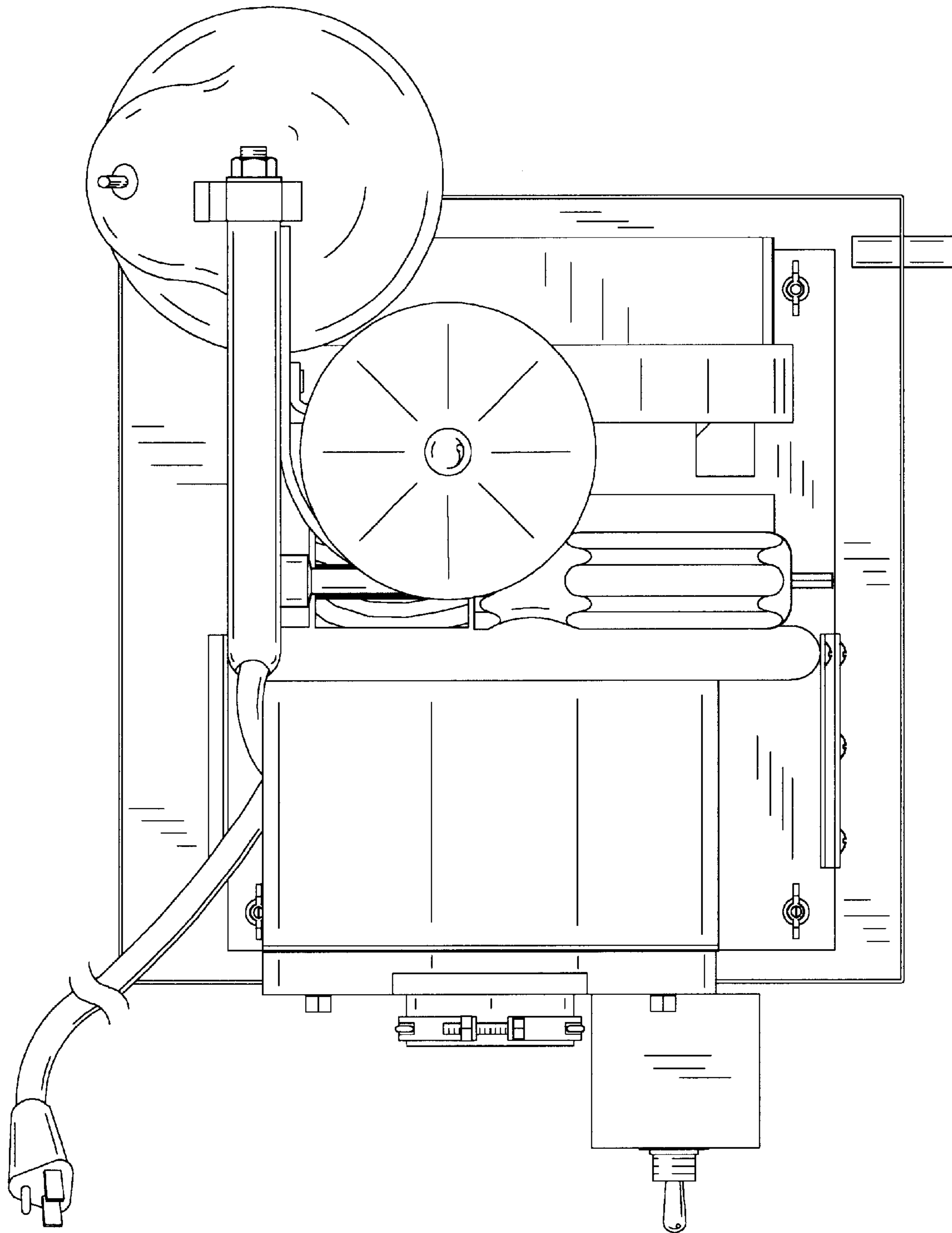


FIG.6

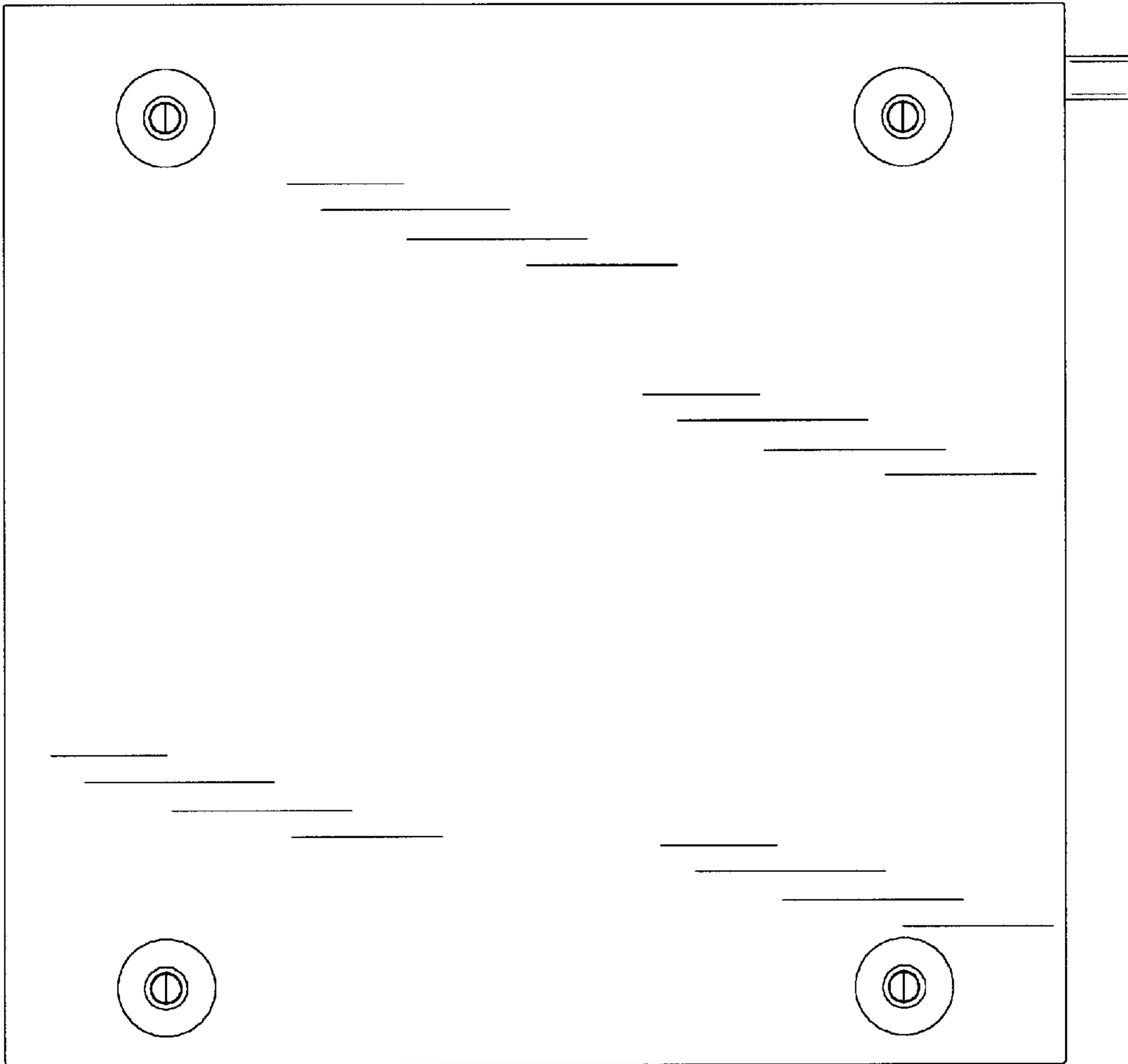


FIG.7