



US00D509835S

(12) **United States Design Patent**  
**Byrne**

(10) **Patent No.:** **US D509,835 S**

(45) **Date of Patent:** **\*\* Sep. 20, 2005**

(54) **ROOFING TEAR-OFF MACHINE**

(76) **Inventor:** **Brian T. Byrne**, 6901 Redman La.,  
Chanhasen, MN (US) 55317

(\*\*) **Term:** **14 Years**

(21) **Appl. No.:** **29/202,592**

(22) **Filed:** **Apr. 2, 2004**

(51) **LOC (8) Cl.** ..... **15-04**

(52) **U.S. Cl.** ..... **D15/10**

(58) **Field of Search** ..... D15/10-12; 299/34.03,  
299/36.1, 37.1, 34.04, 37.4; 37/282; 173/24;  
30/169, 170; 81/45, 46

(56) **References Cited**

**U.S. PATENT DOCUMENTS**

2,465,192 A *	3/1949	Booth	.....	299/37.4
2,974,428 A *	3/1961	Krasner	.....	37/282
3,376,071 A	4/1968	Stein		
3,542,433 A *	11/1970	Probst	.....	299/37.1
3,628,833 A	12/1971	Crispino		
3,695,713 A	10/1972	Rothi et al.		
3,740,099 A	6/1973	Lenzner		
3,779,605 A	12/1973	Nieman		
4,053,183 A	10/1977	Probst		
4,699,430 A	10/1987	Nichols		
4,756,578 A *	7/1988	Mims et al.	.....	299/37.1
4,837,933 A *	6/1989	Chapman	.....	30/170

5,098,165 A *	3/1992	Jacobs et al.	.....	299/37.1
5,218,766 A *	6/1993	Himebaugh	.....	30/170
D365,570 S *	12/1995	Danford	.....	D15/10
5,772,284 A	6/1998	Lindsey et al.		
5,800,021 A	9/1998	Derr		
5,863,100 A	1/1999	Martin		
5,921,155 A	7/1999	Faller et al.		
6,257,094 B1 *	7/2001	Babich	.....	81/45
6,543,126 B1	4/2003	Hamlin		
6,711,971 B1 *	3/2004	Morin	.....	81/45

\* cited by examiner

*Primary Examiner*—Stella M. Reid  
*Assistant Examiner*—Mark A. Goodwin

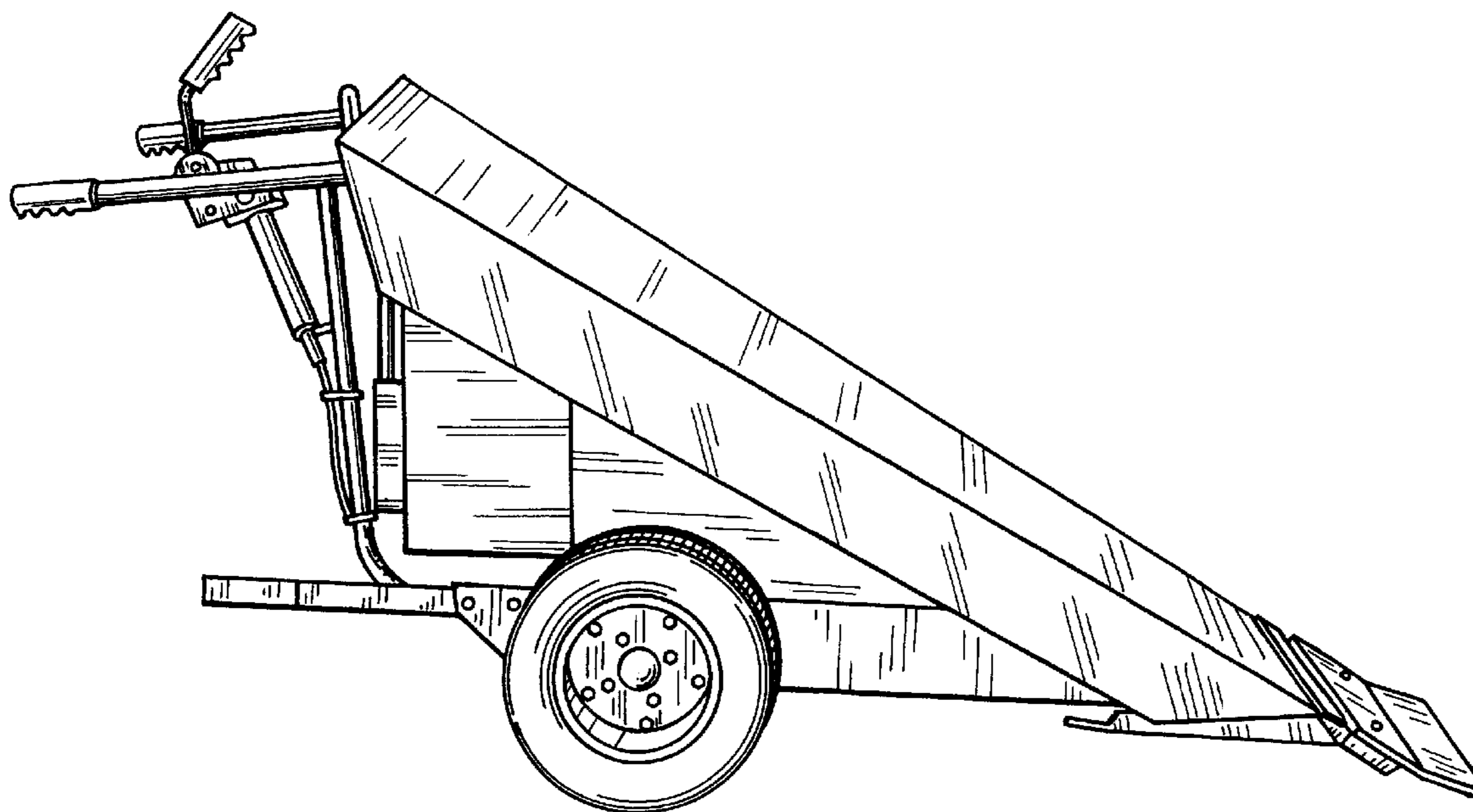
(57) **CLAIM**

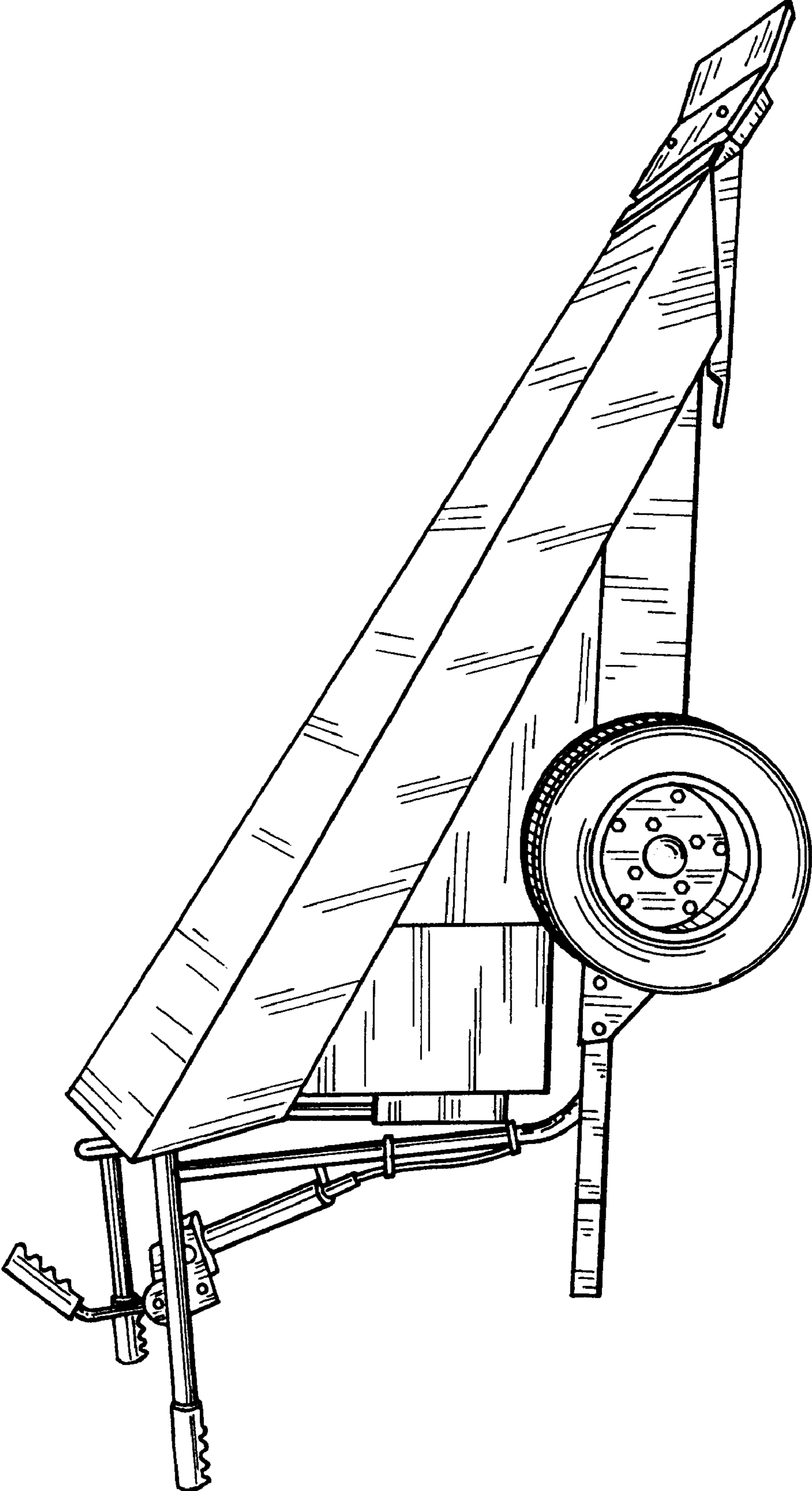
The ornamental design for a roofing tear-off machine, as shown and described.

**DESCRIPTION**

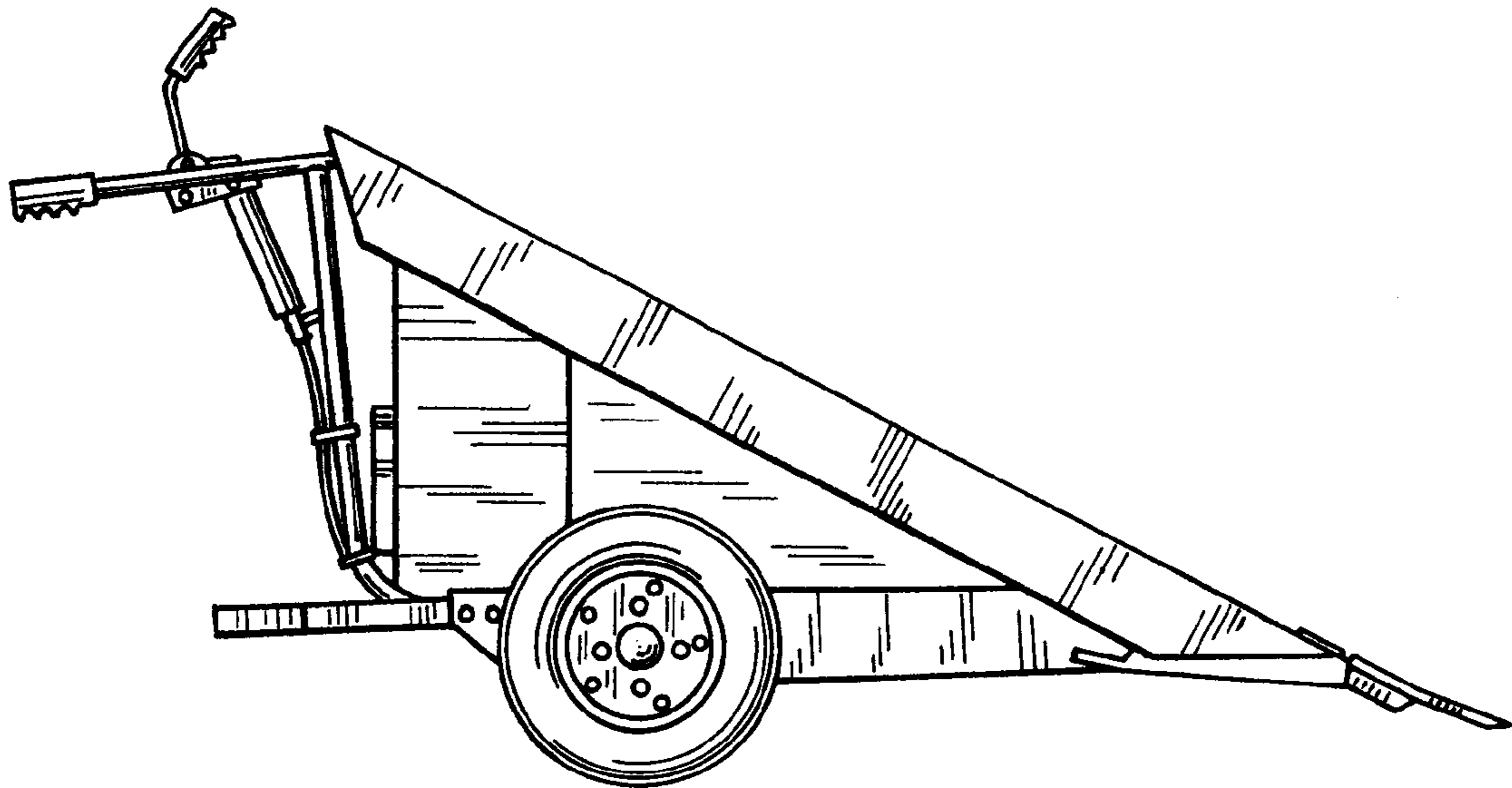
FIG. 1 is a perspective view of a roofing tear-off machine showing my new design; FIG. 2 is a side elevational view of the right side thereof; FIG. 3 is a side elevational view of the left side thereof; FIG. 4 is a top plan view thereof; FIG. 5 is a front elevational view thereof; FIG. 6 is a rear elevational view thereof; and, FIG. 7 is a bottom plan view thereof.

**1 Claim, 4 Drawing Sheets**

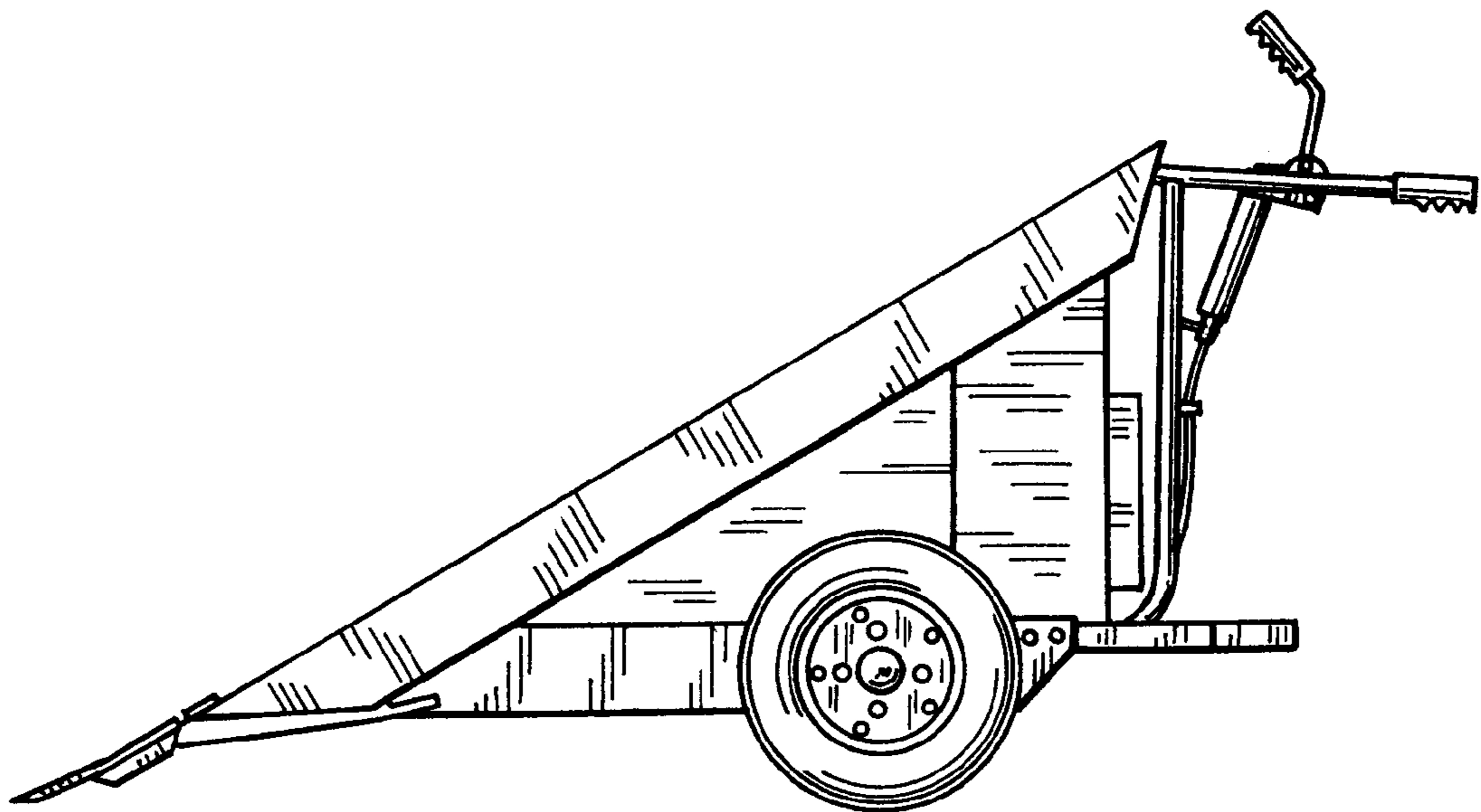




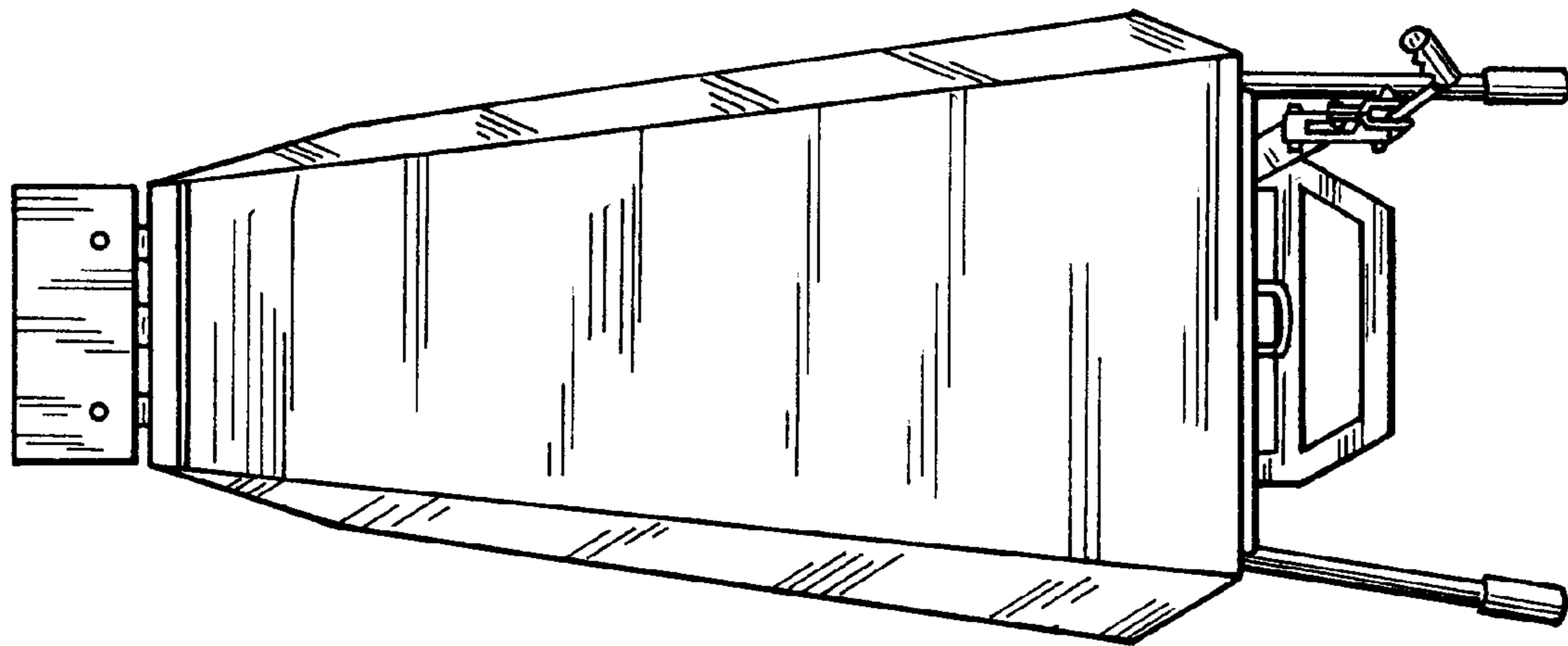
**FIG. 1**



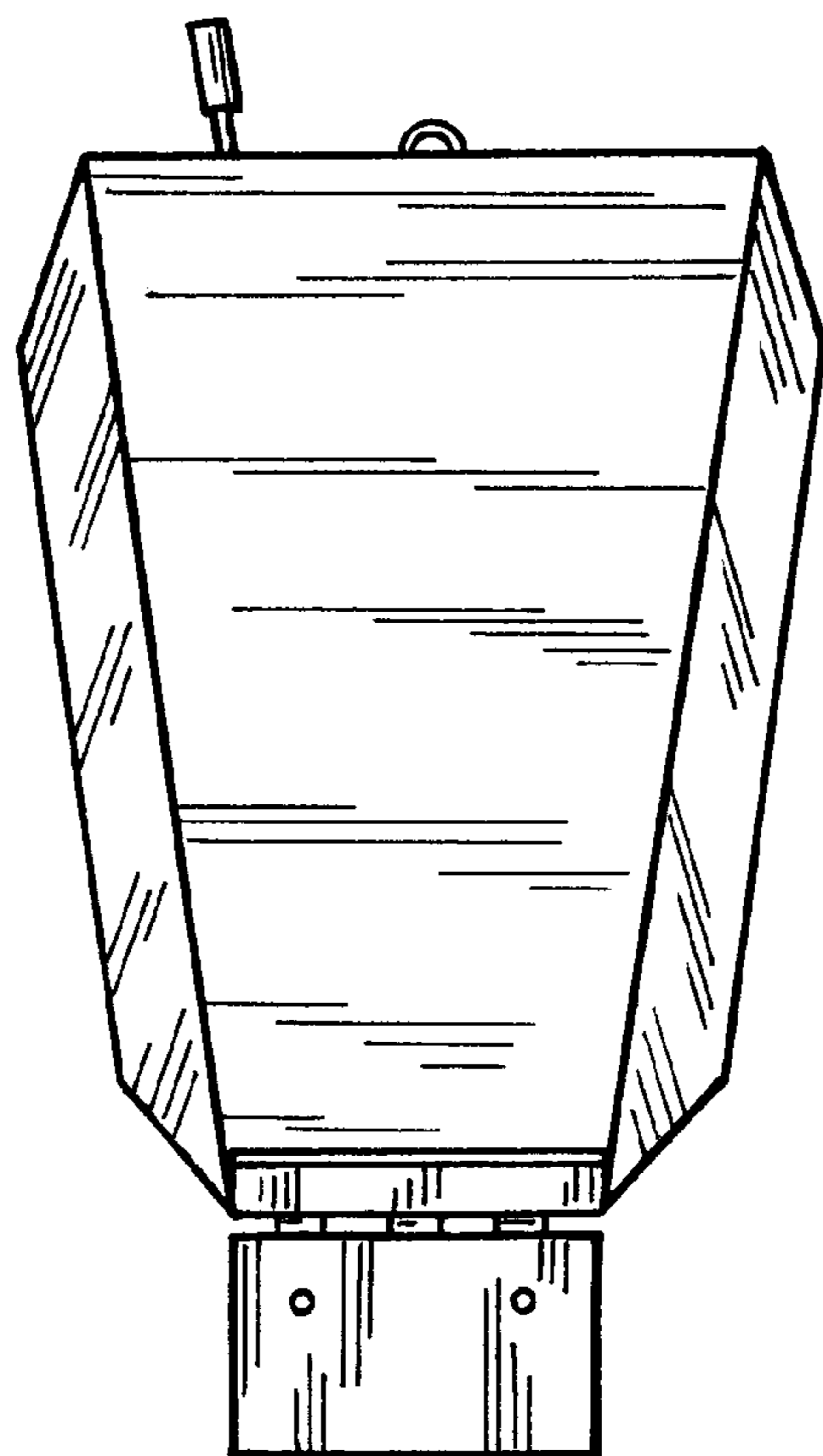
**FIG. 2**



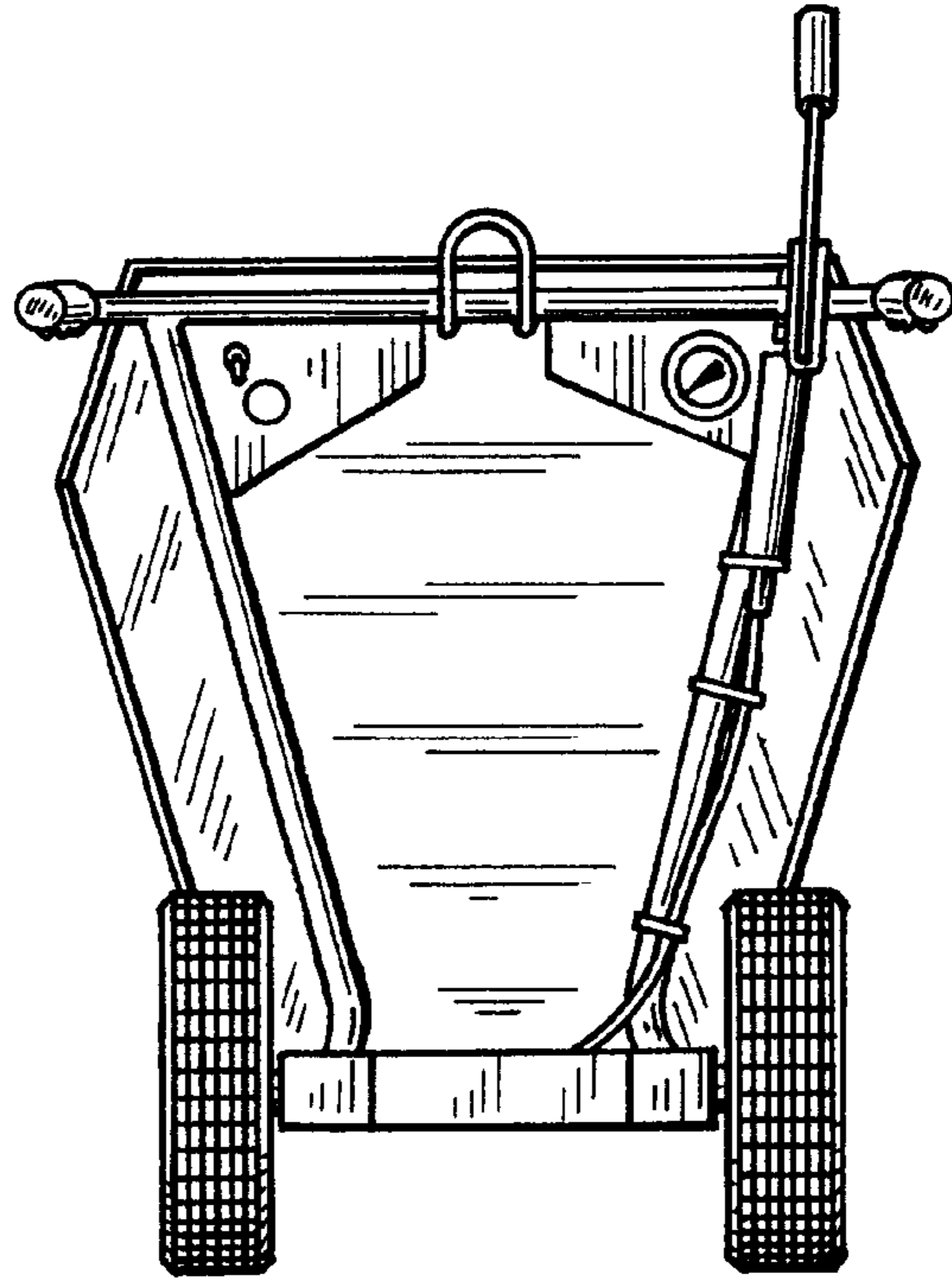
**FIG. 3**



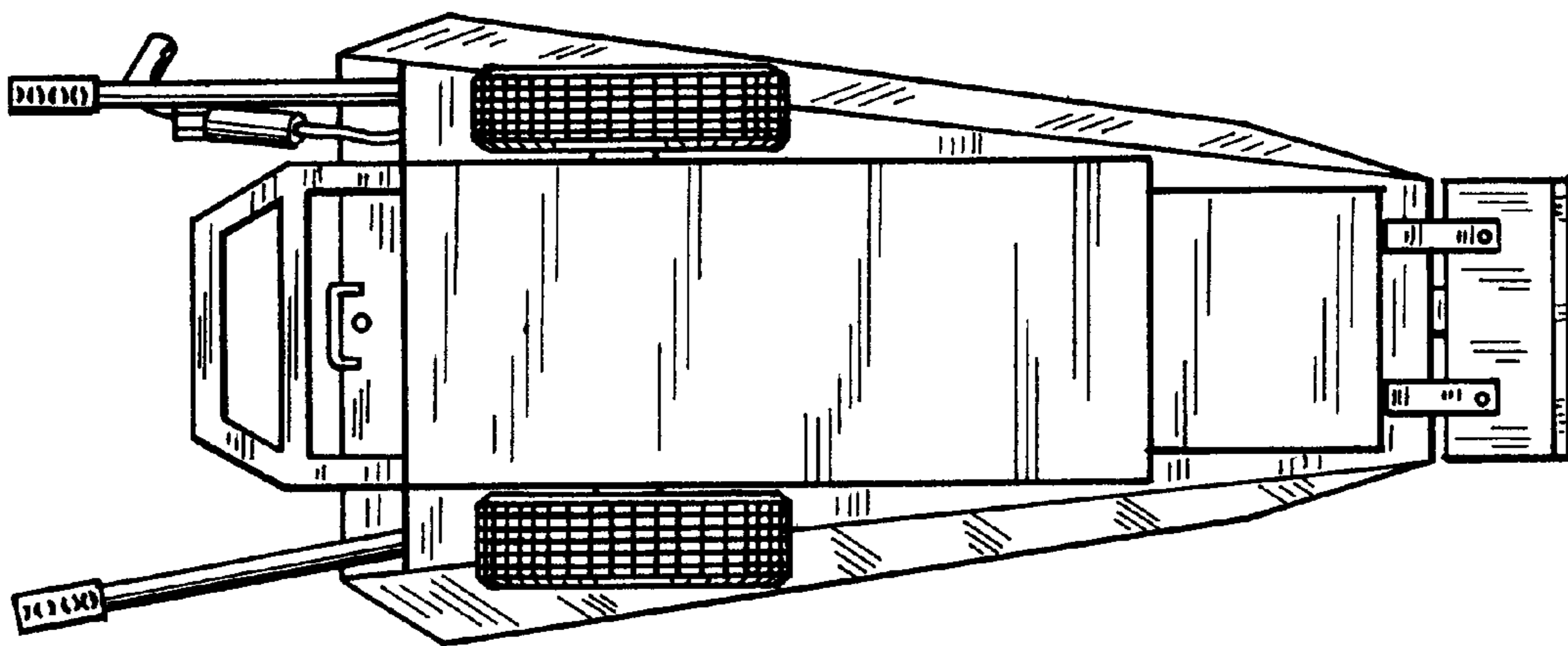
**FIG. 4**



**FIG. 5**



**FIG. 6**



**FIG. 7**