

US00D509834S

(12) **United States Design Patent**
Kataoka

(10) **Patent No.: US D509,834 S**
(45) **Date of Patent: ** Sep. 20, 2005**

(54) **AUDIO PLAYER**

(75) Inventor: **Tetsu Kataoka**, Tokyo (JP)
(73) Assignee: **Sony Corporation**, Tokyo (JP)
(**) Term: **14 Years**

(21) Appl. No.: **29/208,864**

(22) Filed: **Jul. 8, 2004**

(51) **LOC (8) Cl. 14-03**

(52) **U.S. Cl. D14/496**

(58) **Field of Search** D14/496, 125,
D14/137, 159, 160, 474, 433, 435; 273/148 B;
700/94; 710/62, 63, 100; 365/189.05; 3438/231.3,
231; 463/40-47; 206/308.1, 307; 369/2,
24, 25; 370/342-344

(56) **References Cited**

U.S. PATENT DOCUMENTS

5,661,632 A	*	8/1997	Register	361/683
D430,169 S	*	8/2000	Scibora	D14/496
D434,397 S	*	11/2000	Sasago	D14/125
D450,713 S	*	11/2001	Masamitsu et al.	D14/496
6,314,483 B1	*	11/2001	Goto et al.	710/107
D455,144 S		4/2002	Shintani		
6,639,577 B2	*	10/2003	Eberhard	345/102
D489,053 S		4/2004	Nakamura		
D489,731 S	*	5/2004	Huang	D14/496
D492,323 S	*	6/2004	Wang	D14/496
D492,697 S	*	7/2004	Tsai	D14/496
D496,944 S	*	10/2004	Huang	D14/496

OTHER PUBLICATIONS

Web page "RIONITRUS" www.yodobashi.com, 1 sheet, Yodobashi Camera (May 2004).
Web page "RIOCHIBA256" www.yodobashi.com, 1 sheet, Yodobashi Camera (May 2004).
Web page "RIOKARMA20G" www.yodobashi.com, 1 sheet, Yodobashi Camera (May 2004).
Web page "SV-SD50" www.yodobashi.com, 1 sheet, Yodobashi Camera (May 2004).
Web page "CNJBZE3OU" www.yodobashi.com, 1 sheet, Yodobashi Camera (May 2004).
Web page "iPod Win" www.yodobashi.com, 1 sheet, Yodobashi Camera (May 2004).

* cited by examiner

Primary Examiner—Prabhakar Deshmukh
(74) *Attorney, Agent, or Firm*—Rader, Fishman & Grauer PLLC

(57) **CLAIM**

The ornamental design for an audio player, as shown.

DESCRIPTION

FIG. 1 is a perspective view of an audio player showing my new design;
FIG. 2 is a front elevational view thereof;
FIG. 3 is a rear elevational view thereof;
FIG. 4 is a left side elevational view thereof;
FIG. 5 is a right side elevational view thereof;
FIG. 6 is a top plan view thereof; and,
FIG. 7 is a bottom plan view thereof.

1 Claim, 4 Drawing Sheets

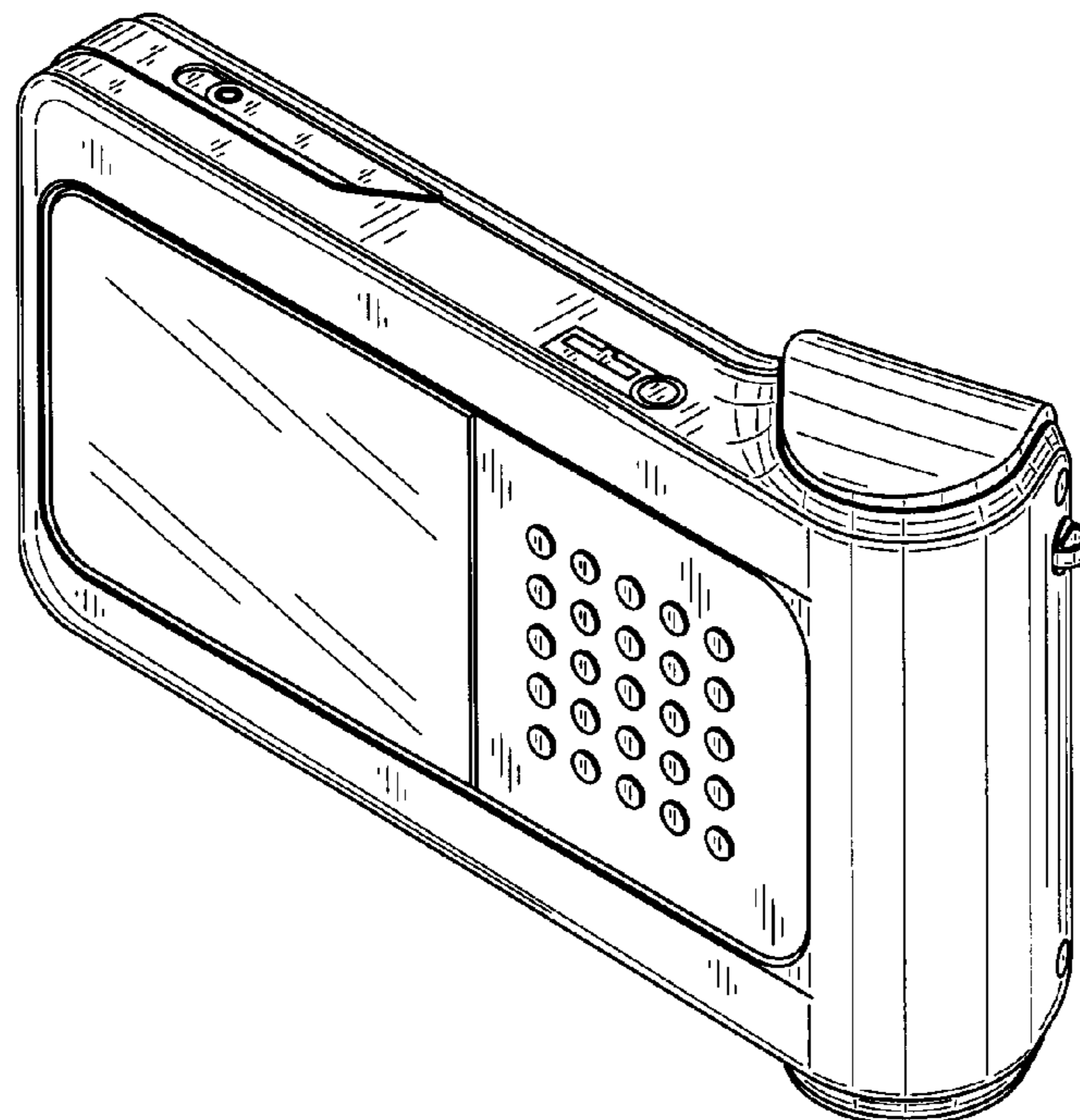


Fig. 1

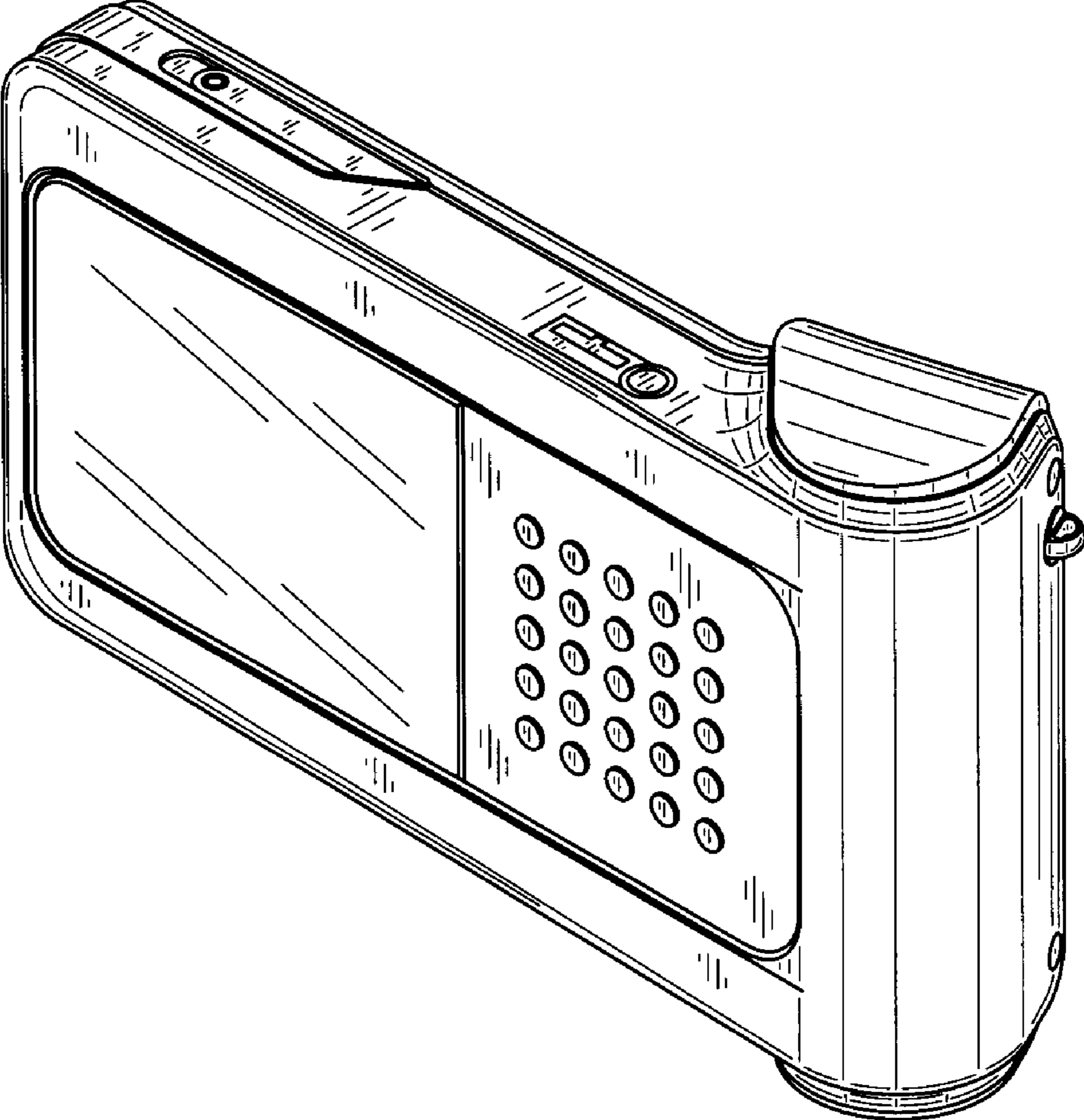


Fig.2

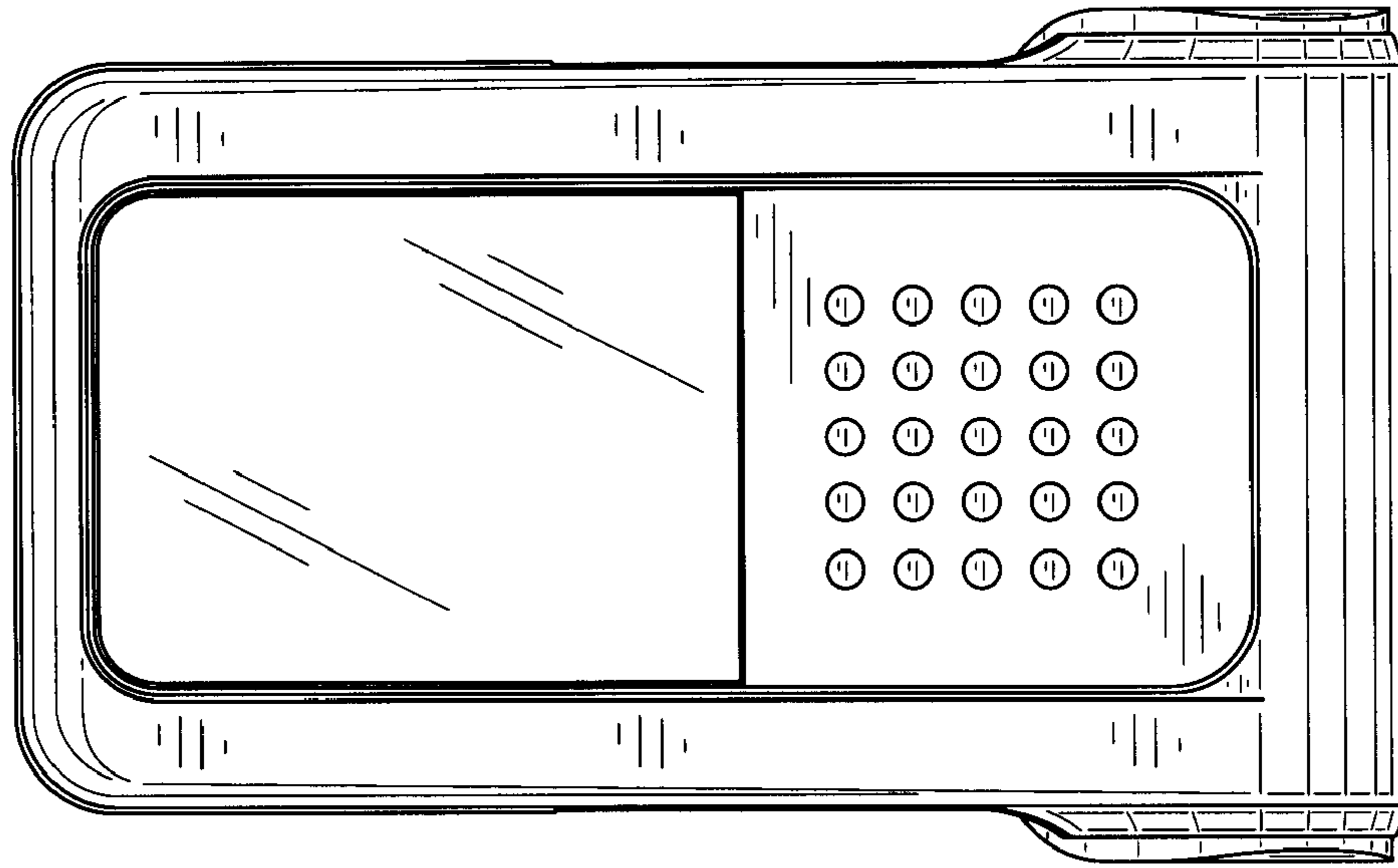


Fig.3

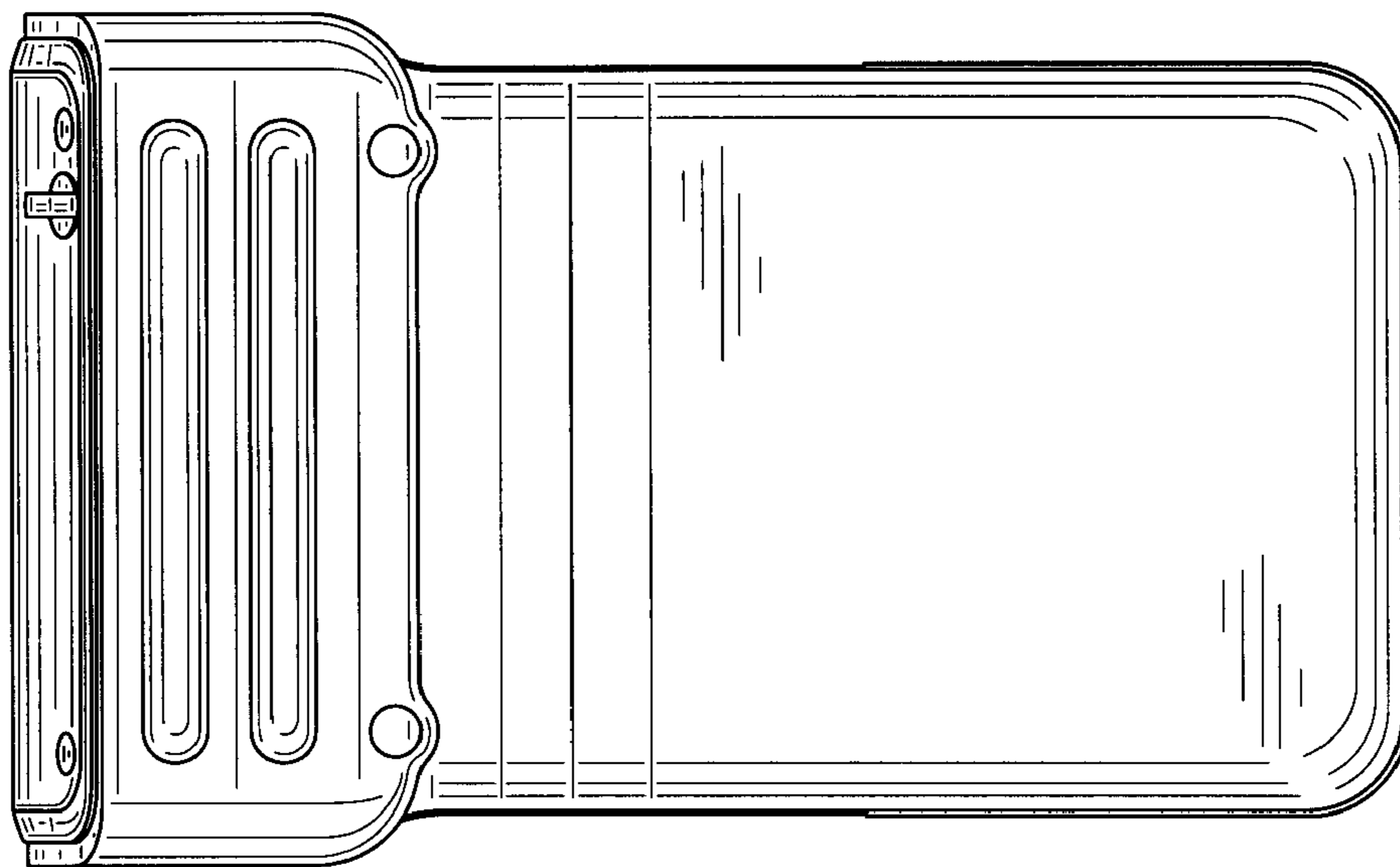


Fig.4

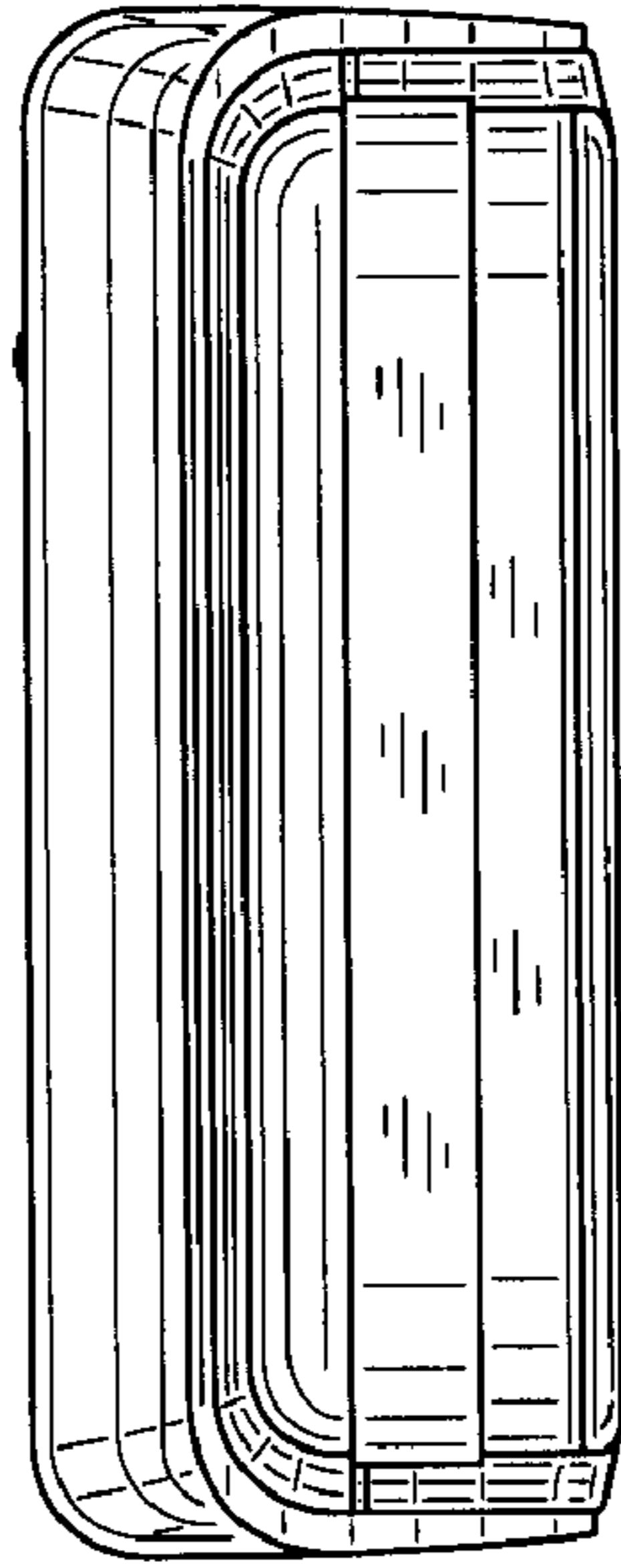


Fig.5

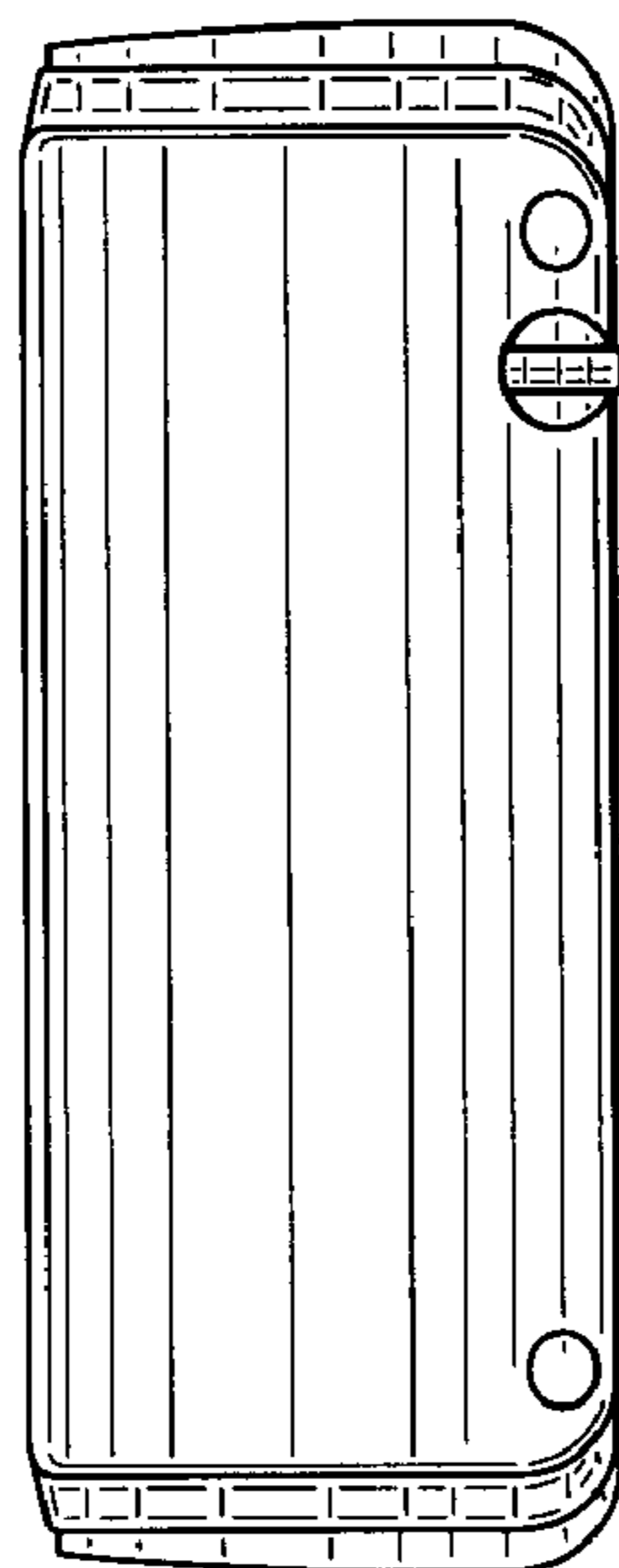


Fig.6

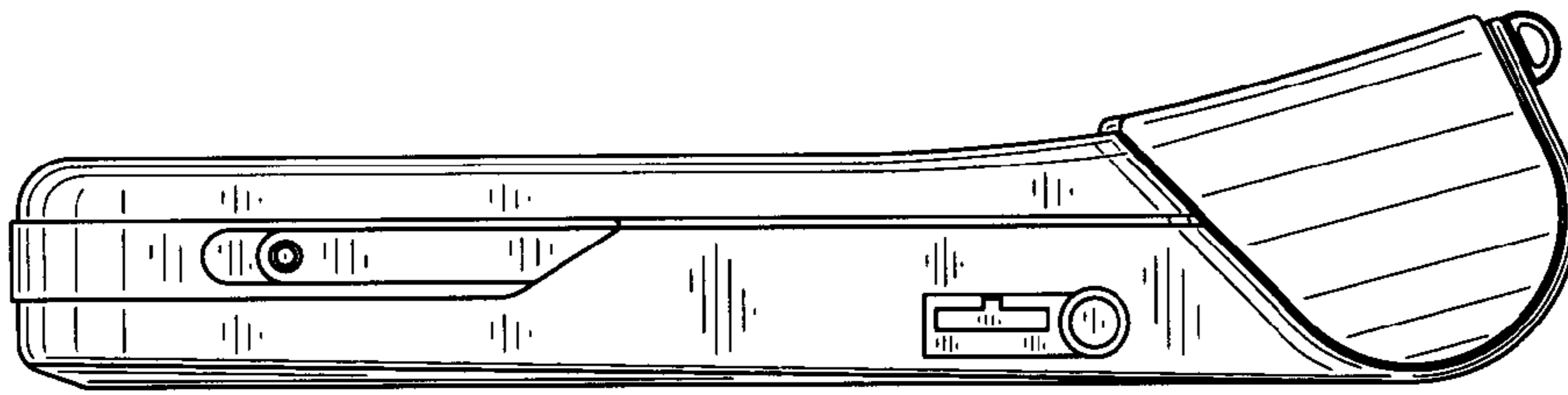


Fig.7

