

US00D509820S

(12) **United States Design Patent**
Yoshida et al.

(10) **Patent No.:** **US D509,820 S**

(45) **Date of Patent:** **** Sep. 20, 2005**

(54) **INTERPHONE**

4,809,320 A * 2/1989 Hawkins et al. 379/167.05
D313,594 S * 1/1991 Morooka D14/159
D321,686 S * 11/1991 Plozner D14/159

(75) Inventors: **Kazuya Yoshida**, Nagoya (JP); **Toshio Hotta**, Tokai (JP)

* cited by examiner

(73) Assignee: **Aiphone Co., Ltd.**, Aichi-ken (JP)

Primary Examiner—Nanda Bondade

(**) Term: **14 Years**

(74) *Attorney, Agent, or Firm*—Birch, Stewart, Kolasch & Birch, LLP

(21) Appl. No.: **29/209,346**

(57) **CLAIM**

(22) Filed: **Jul. 15, 2004**

The ornamental design for an interphone, as shown and described.

Related U.S. Application Data

DESCRIPTION

(62) Division of application No. 29/185,479, filed on Jun. 3, 2003.

(51) **LOC (8) Cl.** **14-03**

FIG. 1 is a front perspective view of an interphone showing our new design;

(52) **U.S. Cl.** **D14/159**

FIG. 2 is a front elevational view thereof;

(58) **Field of Search** D10/104, 106;
D14/142, 146, 158-159, 240, 155, 243;
340/539, 571-573; 342/419, 450; 379/167.05,
167.14

FIG. 3 is a rear elevational view thereof;

FIG. 4 is a left side elevational view thereof;

FIG. 5 is a right side elevational view thereof;

FIG. 6 is a top plan view thereof; and,

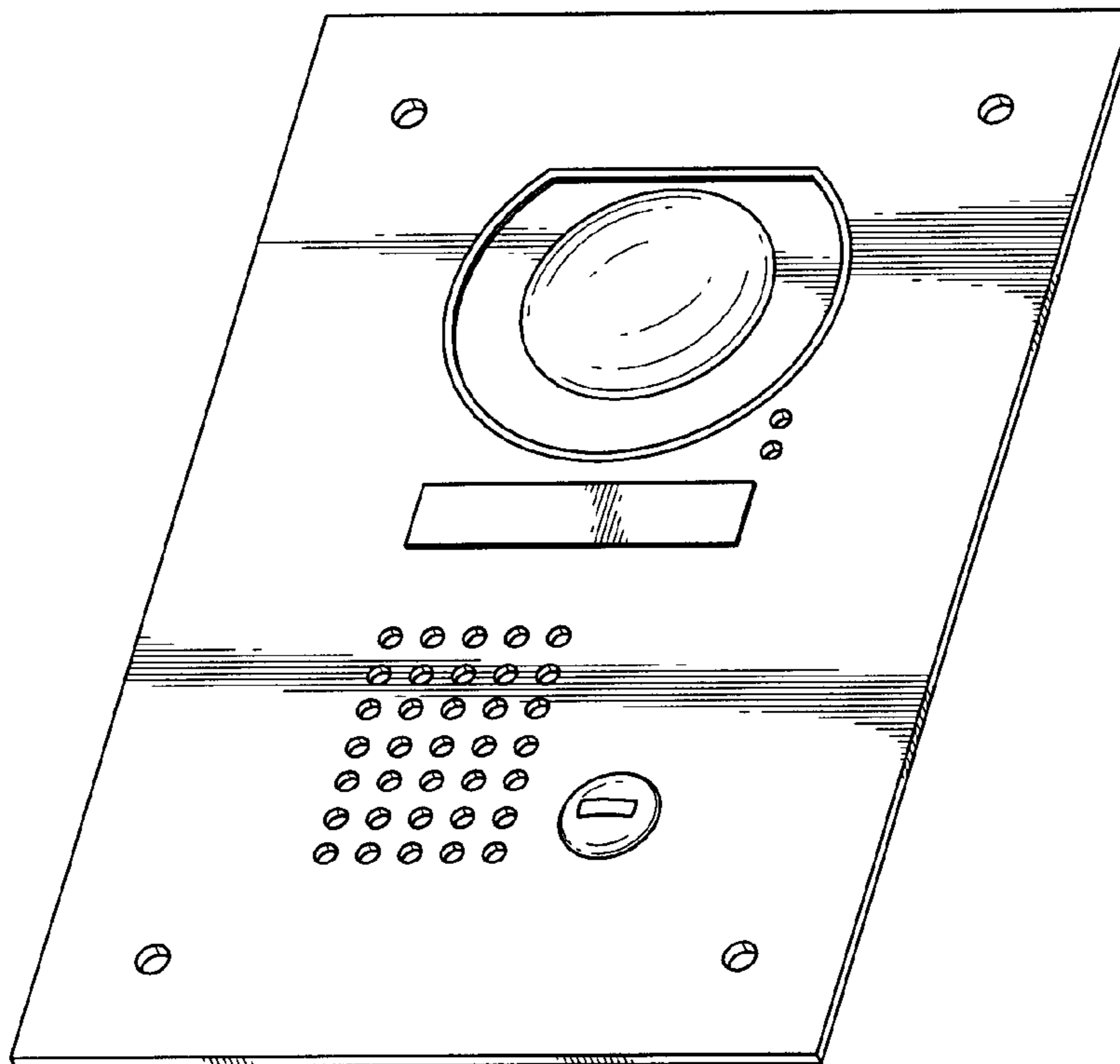
FIG. 7 is a bottom plan view thereof.

(56) **References Cited**

U.S. PATENT DOCUMENTS

D295,404 S * 4/1988 Tokiyama D14/155

1 Claim, 4 Drawing Sheets



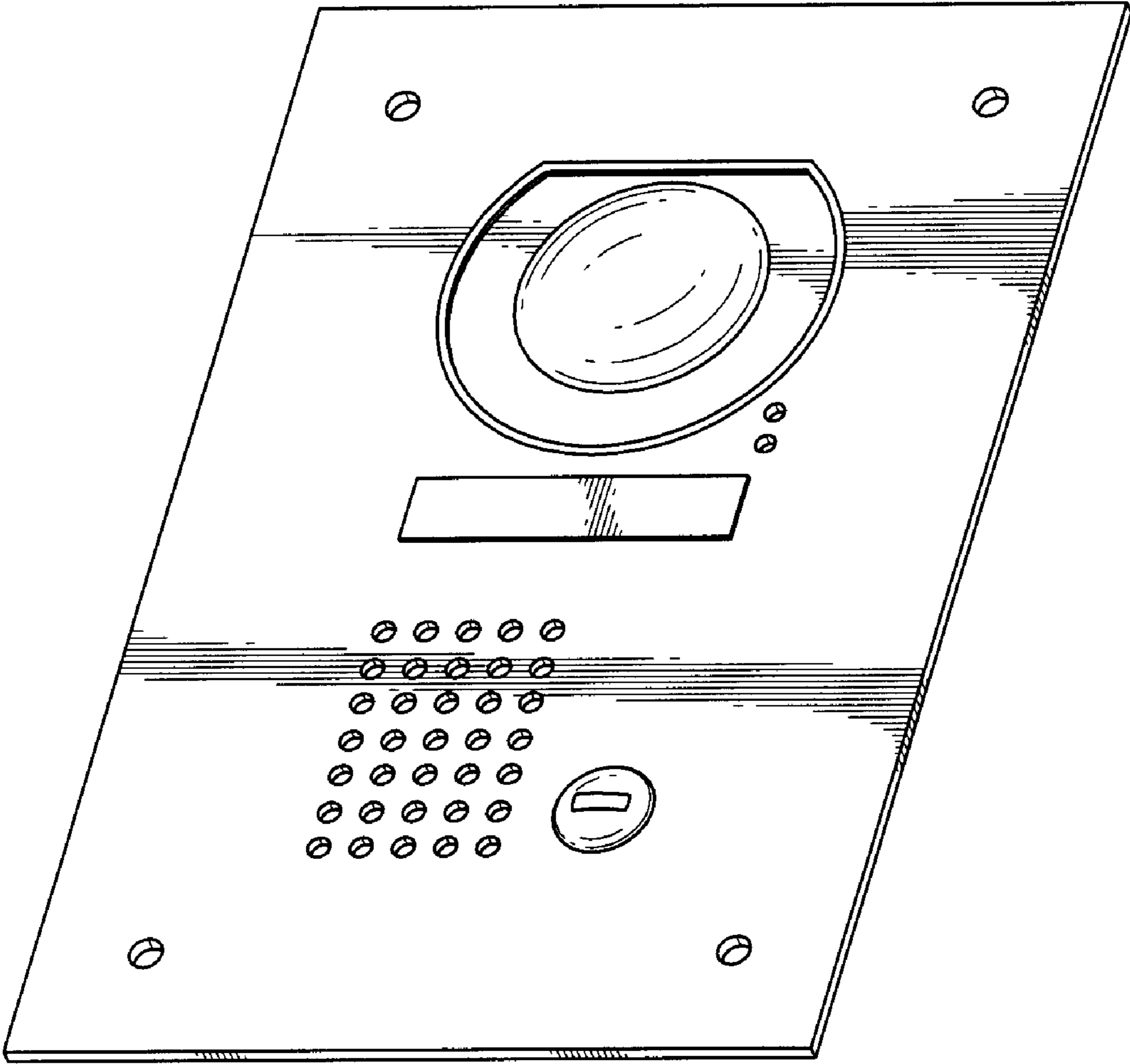


FIG.1

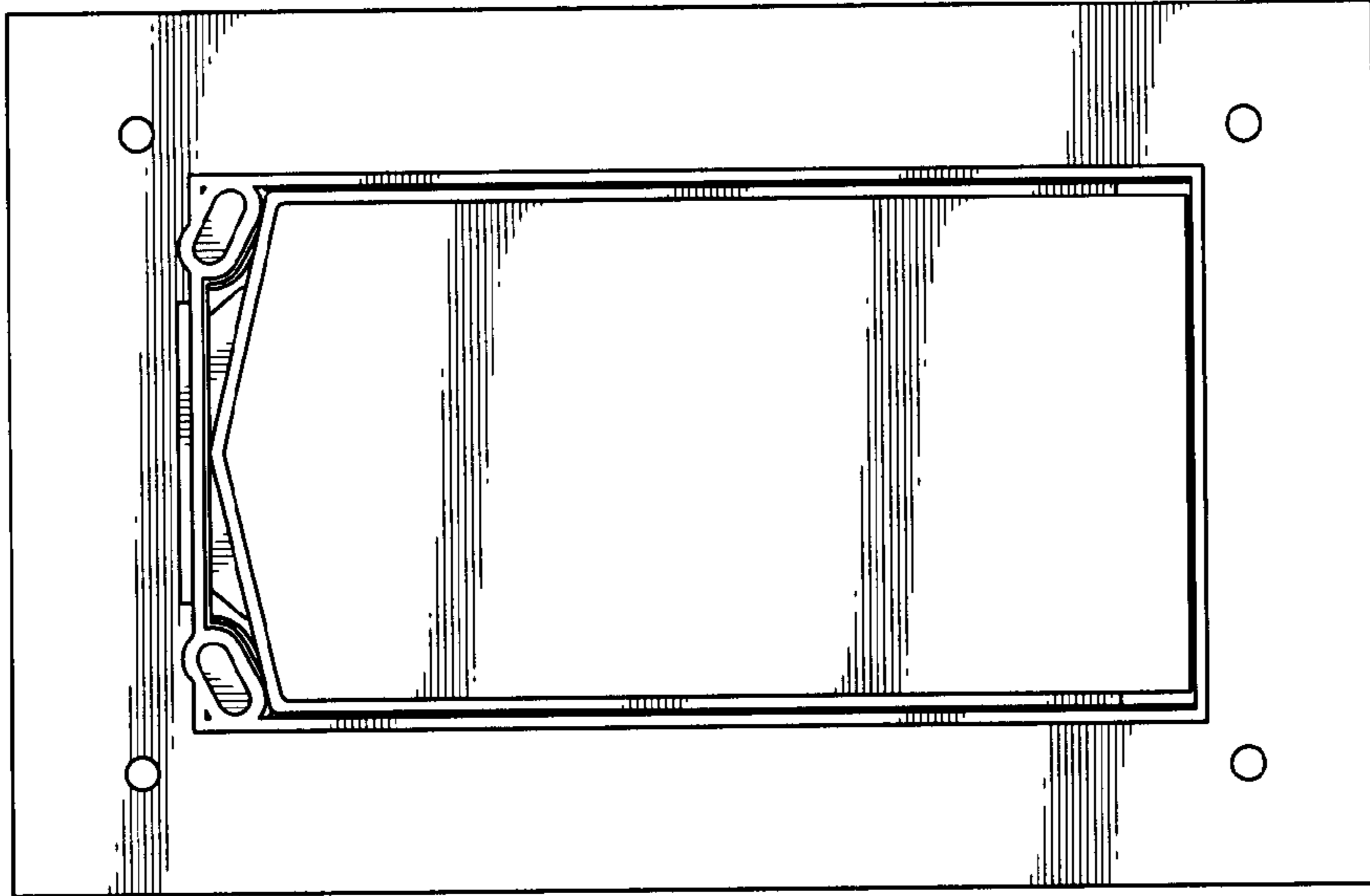


FIG.3

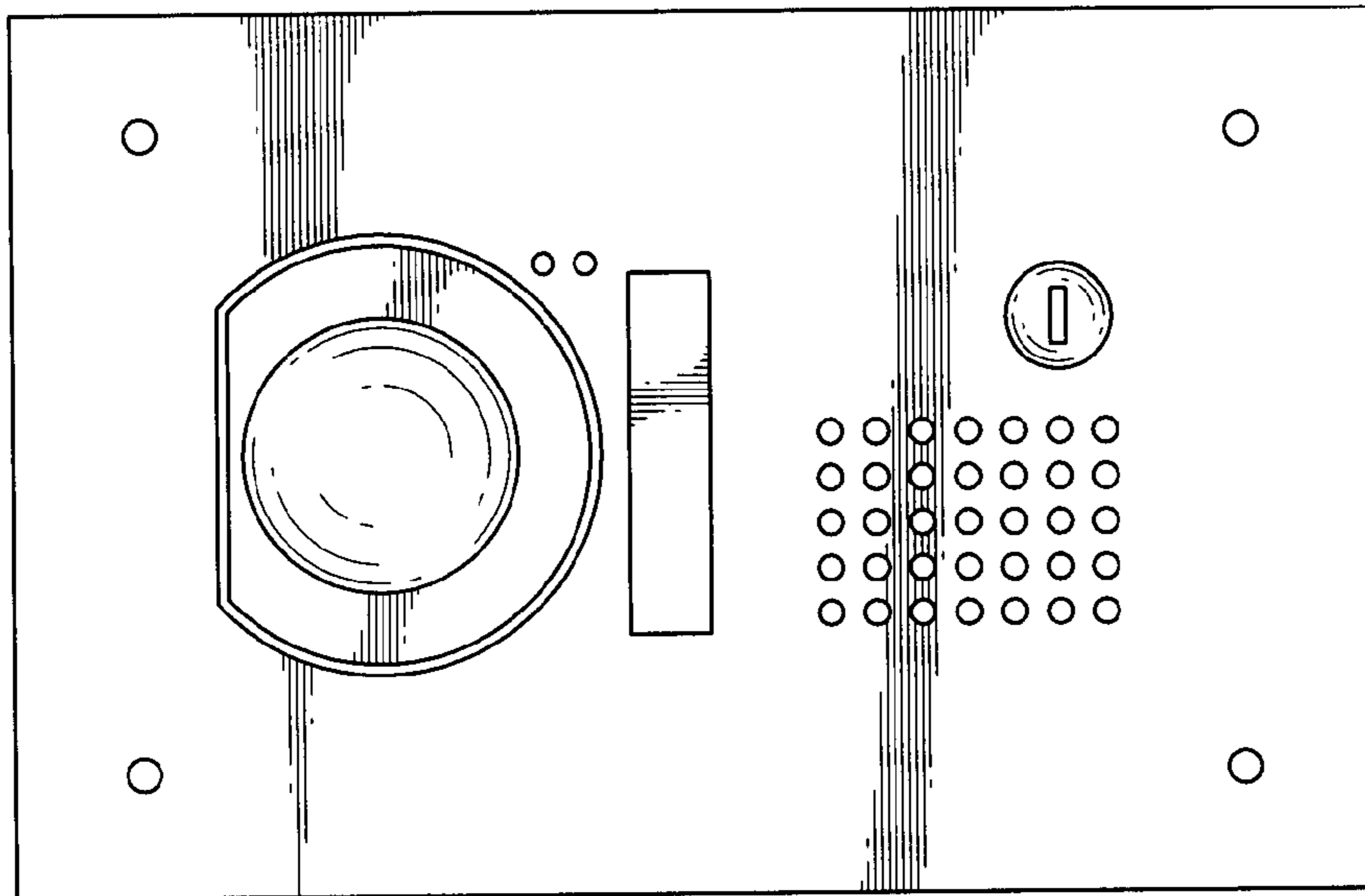


FIG.2

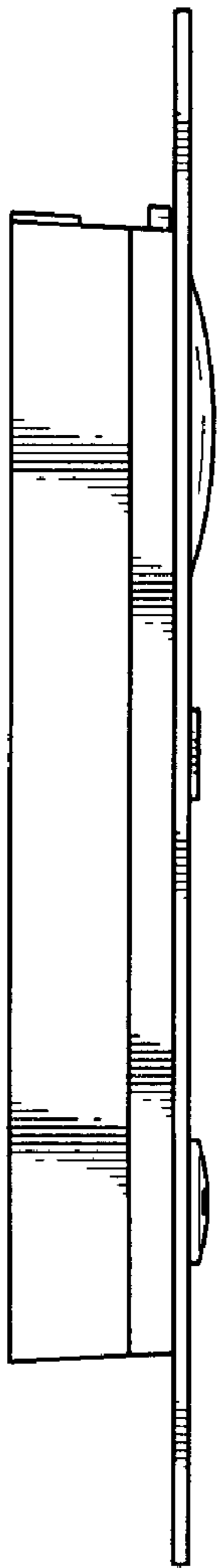


FIG. 4

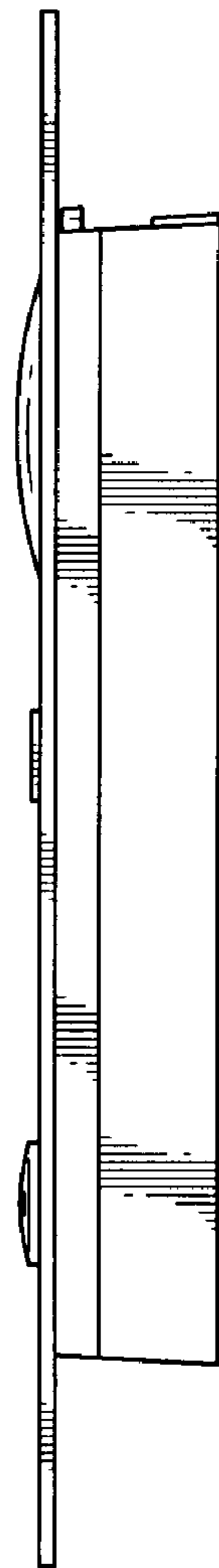


FIG. 5

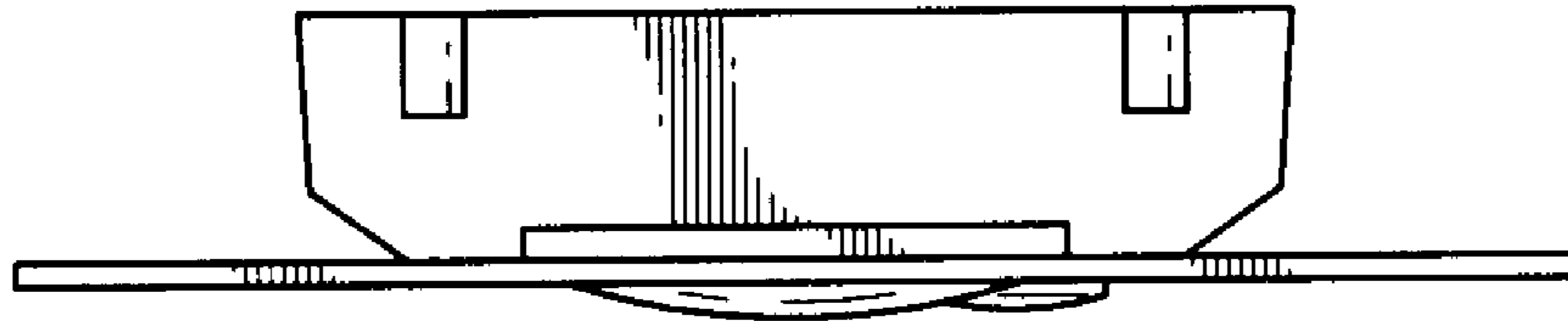


FIG. 6

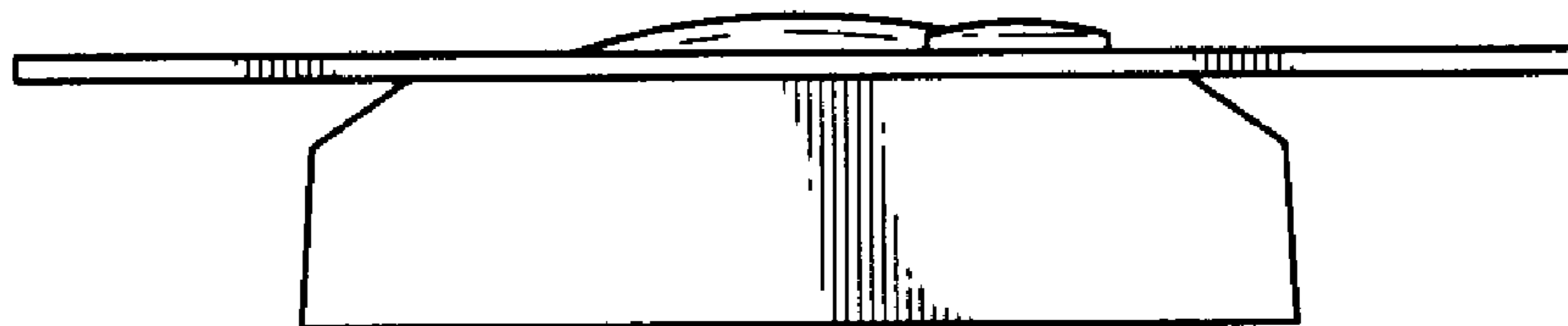


FIG. 7