

US00D509818S

(12) **United States Design Patent**
Oikawa

(10) **Patent No.:** **US D509,818 S**

(45) **Date of Patent:** **** Sep. 20, 2005**

(54) **DISC PLAYER**

D484,480 S * 12/2003 Tsuge D14/156
D485,250 S * 1/2004 Harris et al. D14/156

(75) Inventor: **Yuji Oikawa**, Tokyo (JP)

* cited by examiner

(73) Assignee: **Sony Corporation**, Tokyo (JP)

Primary Examiner—Nanda Bondade

(**) Term: **14 Years**

(74) *Attorney, Agent, or Firm*—Rader, Fishman & Grauer
PLLC

(21) Appl. No.: **29/205,797**

(57) **CLAIM**

(22) Filed: **May 21, 2004**

The ornamental design for a disc player, as shown.

(51) **LOC (8) Cl.** **14-01**

DESCRIPTION

(52) **U.S. Cl.** **D14/156**

(58) **Field of Search** D14/135-136,
D14/156-157, 160-165, 167-169, 192-198,
217; 455/347-351; 369/75.1, 75.2, 77.1,
77.2

FIG. 1 is a perspective view of a disc player showing my
new design;

FIG. 2 is a front elevational view thereof;

FIG. 3 is a rear elevational view thereof;

FIG. 4 is a left side elevational view thereof;

FIG. 5 is a right side elevational view thereof;

FIG. 6 is a top plan view thereof; and,

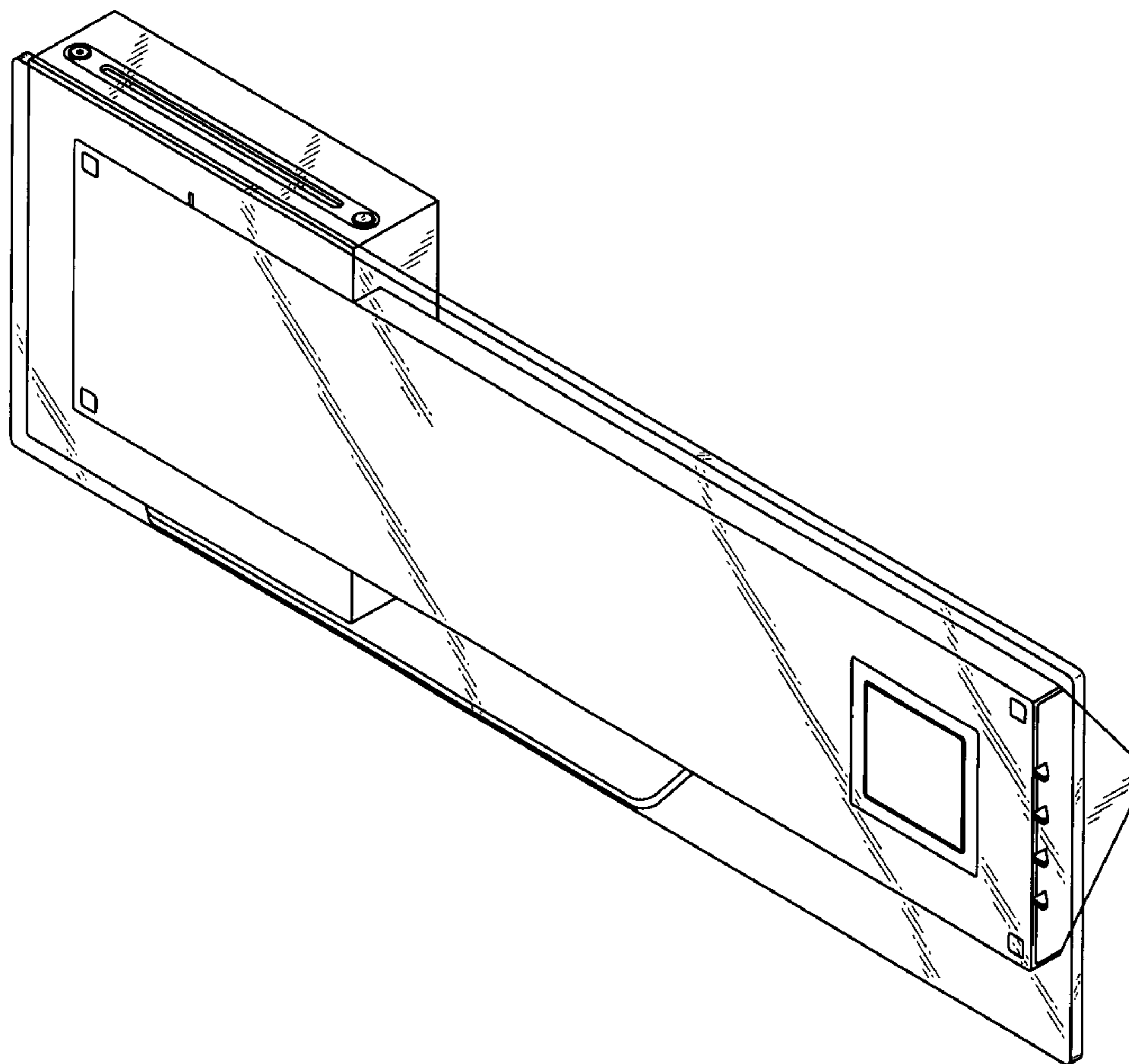
FIG. 7 is a bottom plan view thereof.

(56) **References Cited**

U.S. PATENT DOCUMENTS

D417,451 S 12/1999 Tejima
D445,773 S * 7/2001 Fenner D14/156

1 Claim, 4 Drawing Sheets



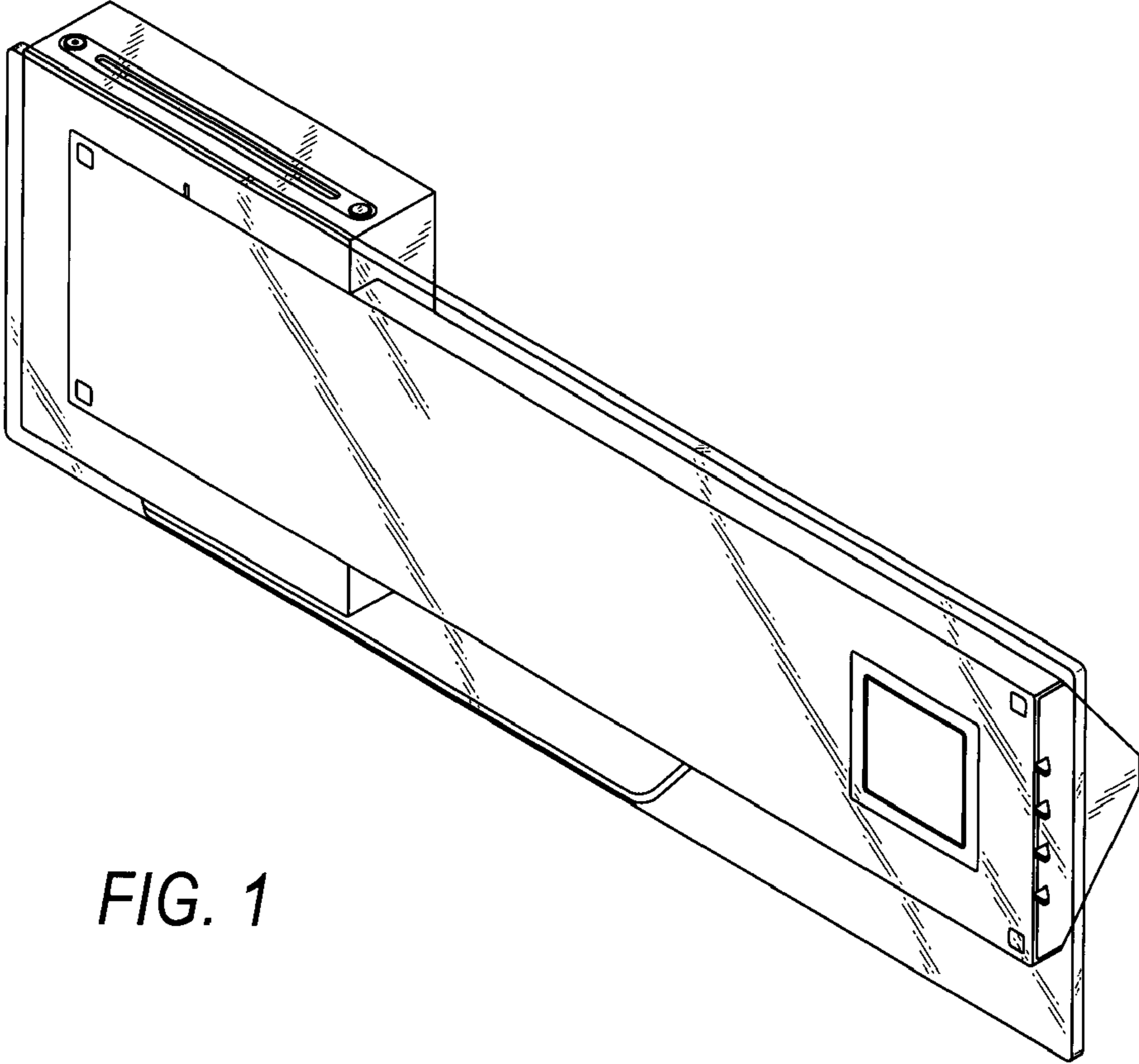


FIG. 1

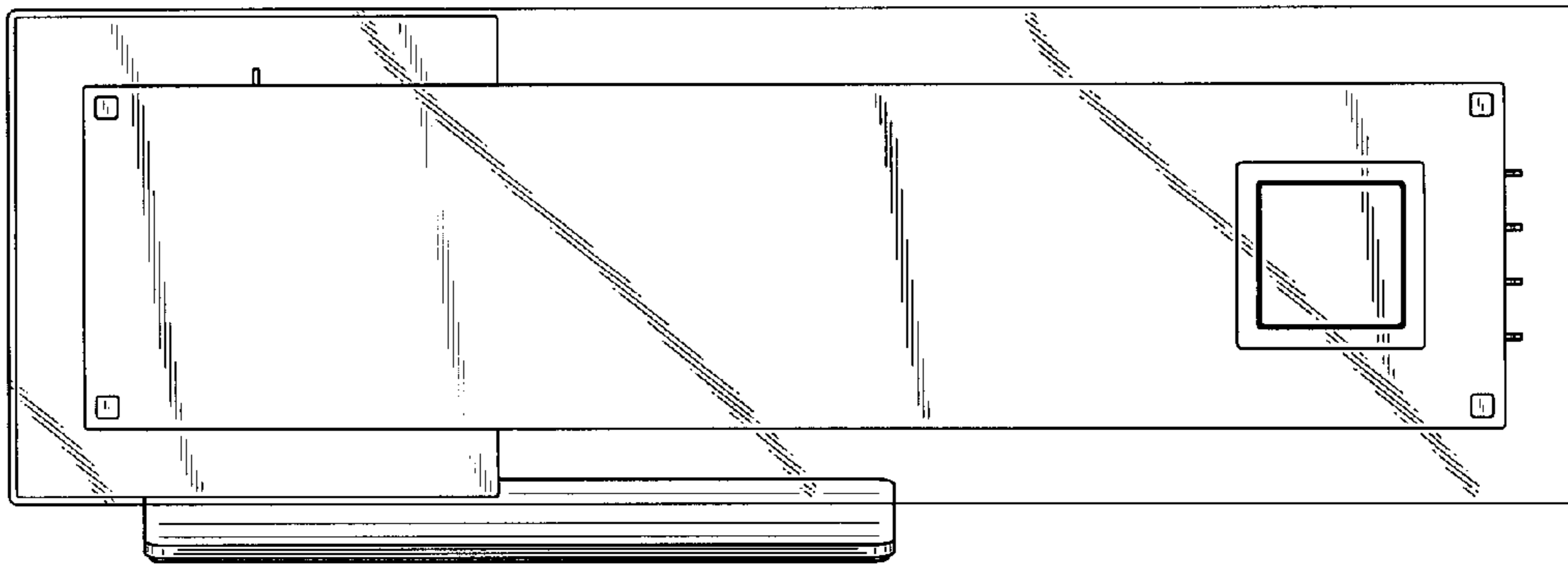


FIG. 2

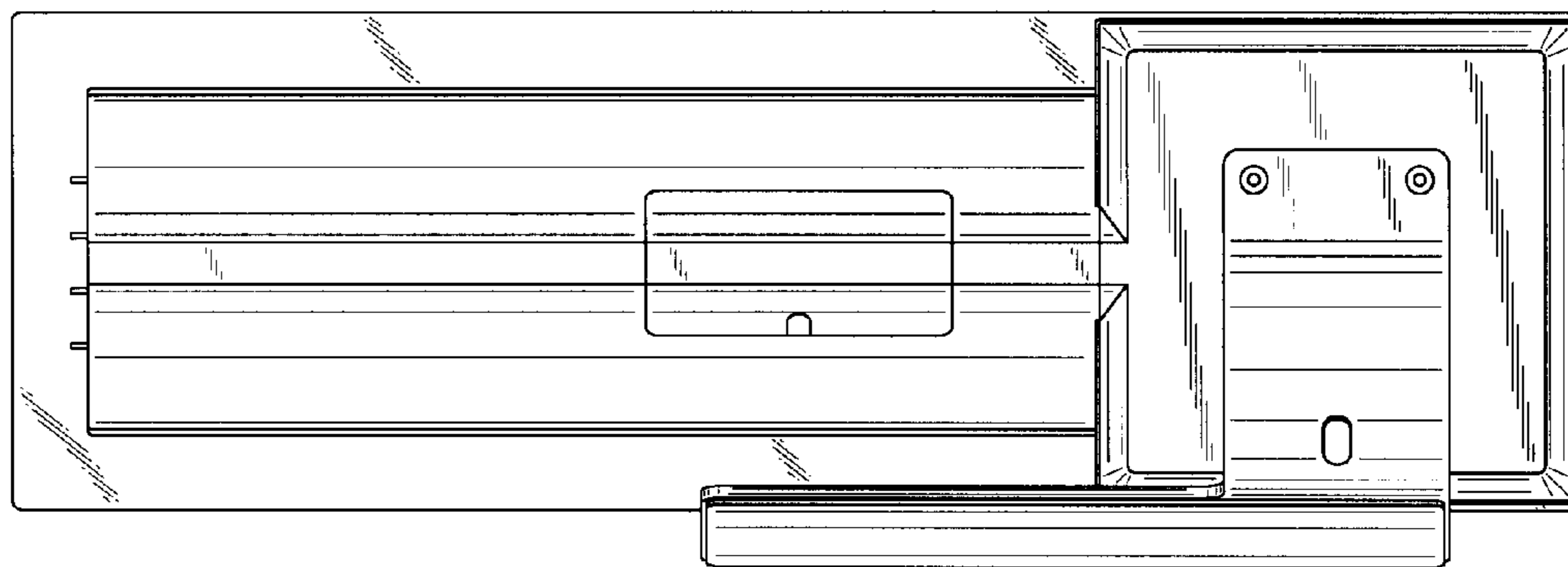


FIG. 3

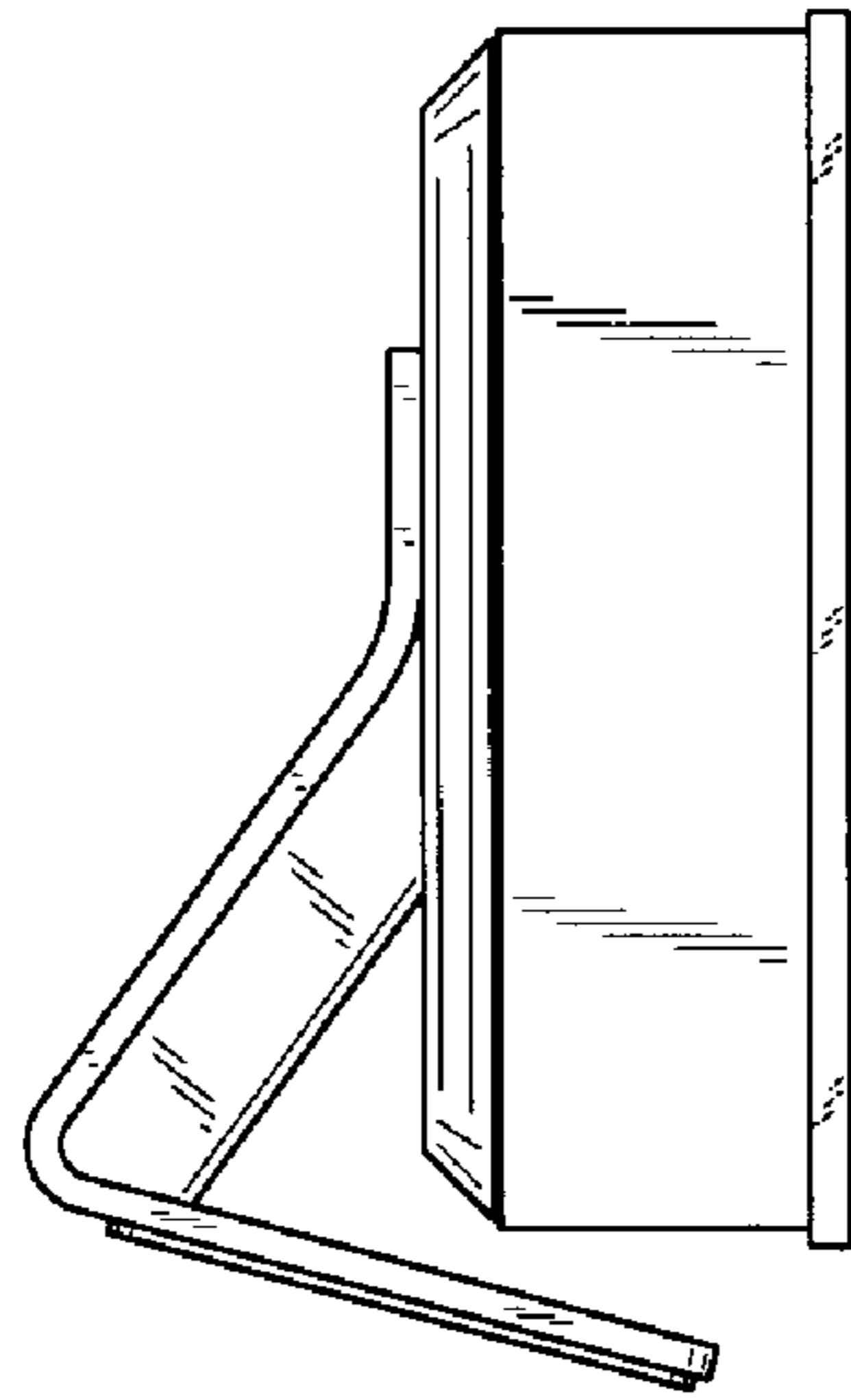


FIG. 4

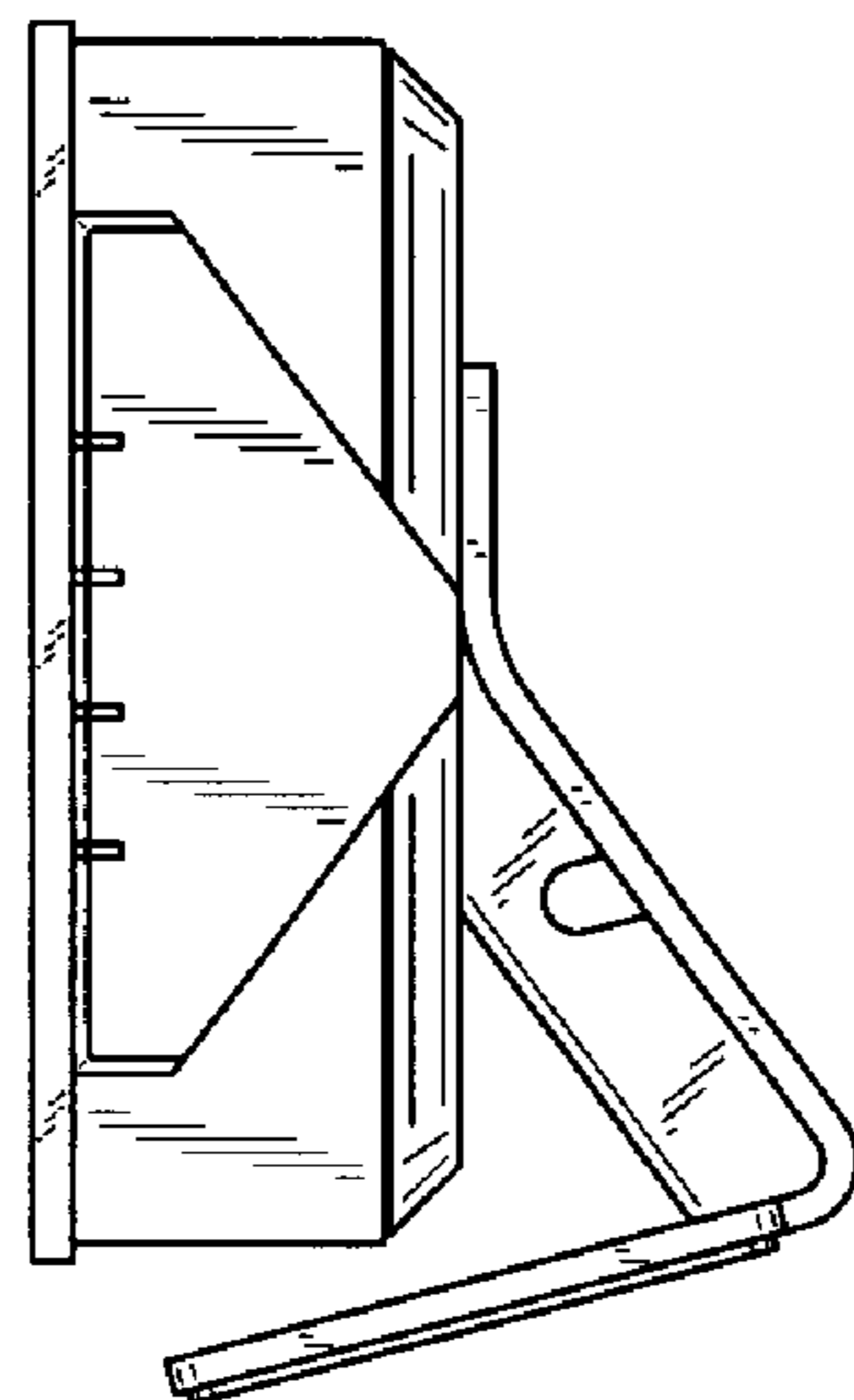


FIG. 5

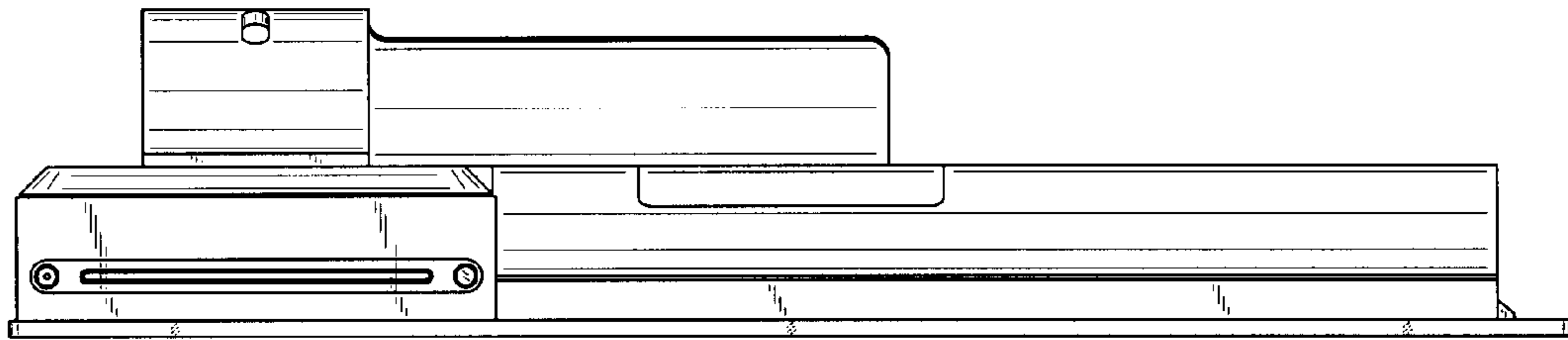


FIG. 6

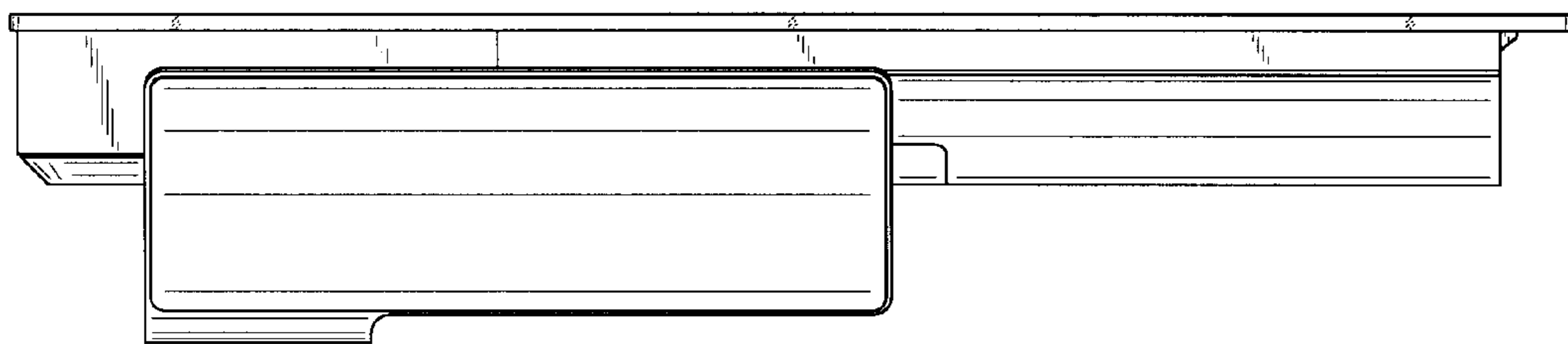


FIG. 7