

US00D509817S

(12) **United States Design Patent**
Gong

(10) **Patent No.:** **US D509,817 S**

(45) **Date of Patent:** **** Sep. 20, 2005**

(54) **FM TRANSMITTER**

(75) **Inventor:** **Andrew Tzu-An Gong, Taipei (TW)**

(73) **Assignee:** **AVLAB Technology, Inc., Taipei (TW)**

(**) **Term:** **14 Years**

(21) **Appl. No.:** **29/196,810**

(22) **Filed:** **Jan. 7, 2004**

(51) **LOC (8) Cl.** **14-03**

(52) **U.S. Cl.** **D14/155**

(58) **Field of Search** D14/299, 191,
D14/188, 155, 162, 137, 240, 358; D13/144;
D21/566; D10/121; D26/37, 38, 39, 40,
41, 42, 43, 44, 45, 46-50; 439/688

(56) **References Cited**

U.S. PATENT DOCUMENTS

D167,828 S	*	9/1952	Florac	D14/194
D234,921 S	*	4/1975	Koster	D10/116
D251,267 S	*	3/1979	Zelina	D26/42
D277,753 S	*	2/1985	Eckmann et al.	D14/191
D280,896 S	*	10/1985	Campbell et al.	D14/155
D294,065 S	*	2/1988	Wan	D26/38
D303,528 S	*	9/1989	Scheid et al.	D14/191
D347,635 S	*	6/1994	van Wijnen	D14/191
D372,996 S	*	8/1996	Geissler	D26/42
D373,766 S	*	9/1996	Solomita et al.	D14/141.2

D396,860 S	*	8/1998	Yasutomi	D14/168
D398,605 S	*	9/1998	Murray et al.	D14/137
D424,563 S	*	5/2000	Schmeichel et al.	D14/188
D451,076 S	*	11/2001	Sommer et al.	D13/168
D461,176 S	*	8/2002	Siokola	D14/155
D483,348 S	*	12/2003	Nishii et al.	D14/188
D491,305 S	*	6/2004	Copeland	D26/49
D491,914 S	*	6/2004	Lee	D14/188
D501,192 S	*	1/2005	Griffin	D14/155

* cited by examiner

Primary Examiner—Joel A. Sincavage

Assistant Examiner—Austin Murphy

(74) *Attorney, Agent, or Firm*—Troxell Law Office, PLLC

(57) **CLAIM**

The ornamental design for “a FM transmitter”, as shown and described.

DESCRIPTION

FIG. 1 is a perspective view of “a FM transmitter” showing my new design;

FIG. 2 is a front plan view thereof;

FIG. 3 is a rear plan view thereof;

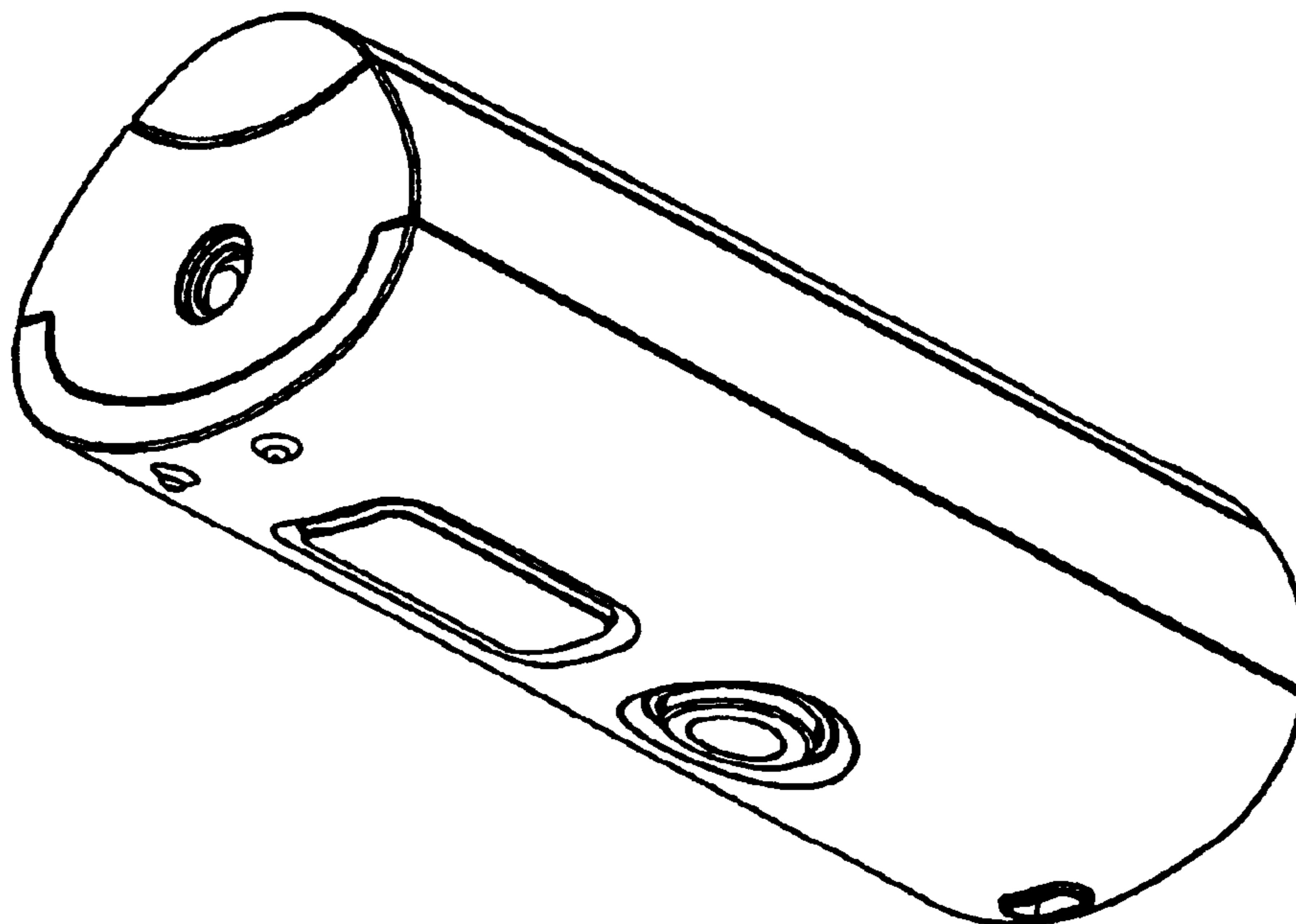
FIG. 4 is a left side elevational view thereof;

FIG. 5 is a right side elevational view thereof;

FIG. 6 is a top plan view thereof; and,

FIG. 7 is a bottom plan view thereof.

1 Claim, 4 Drawing Sheets



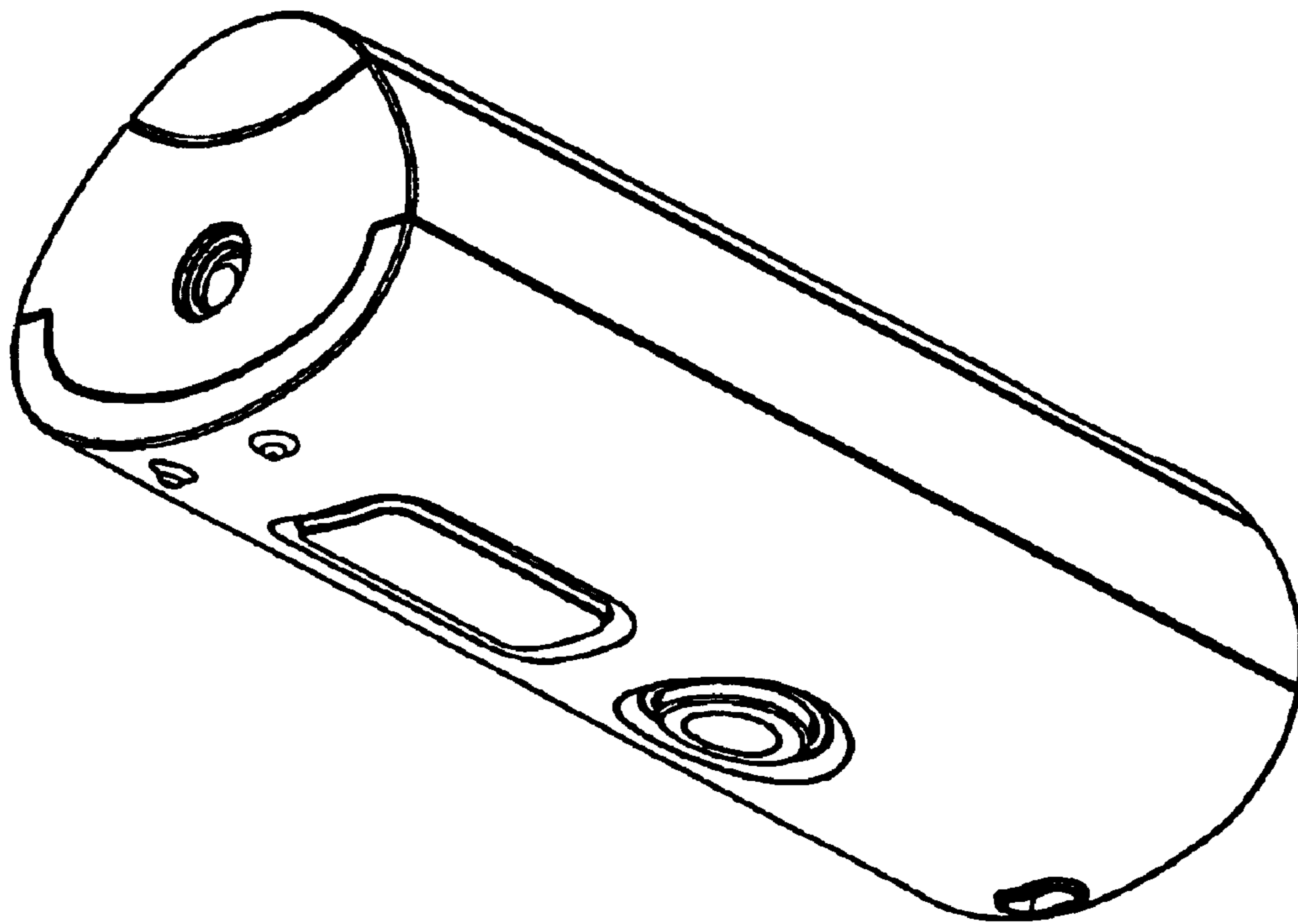


FIG. 1

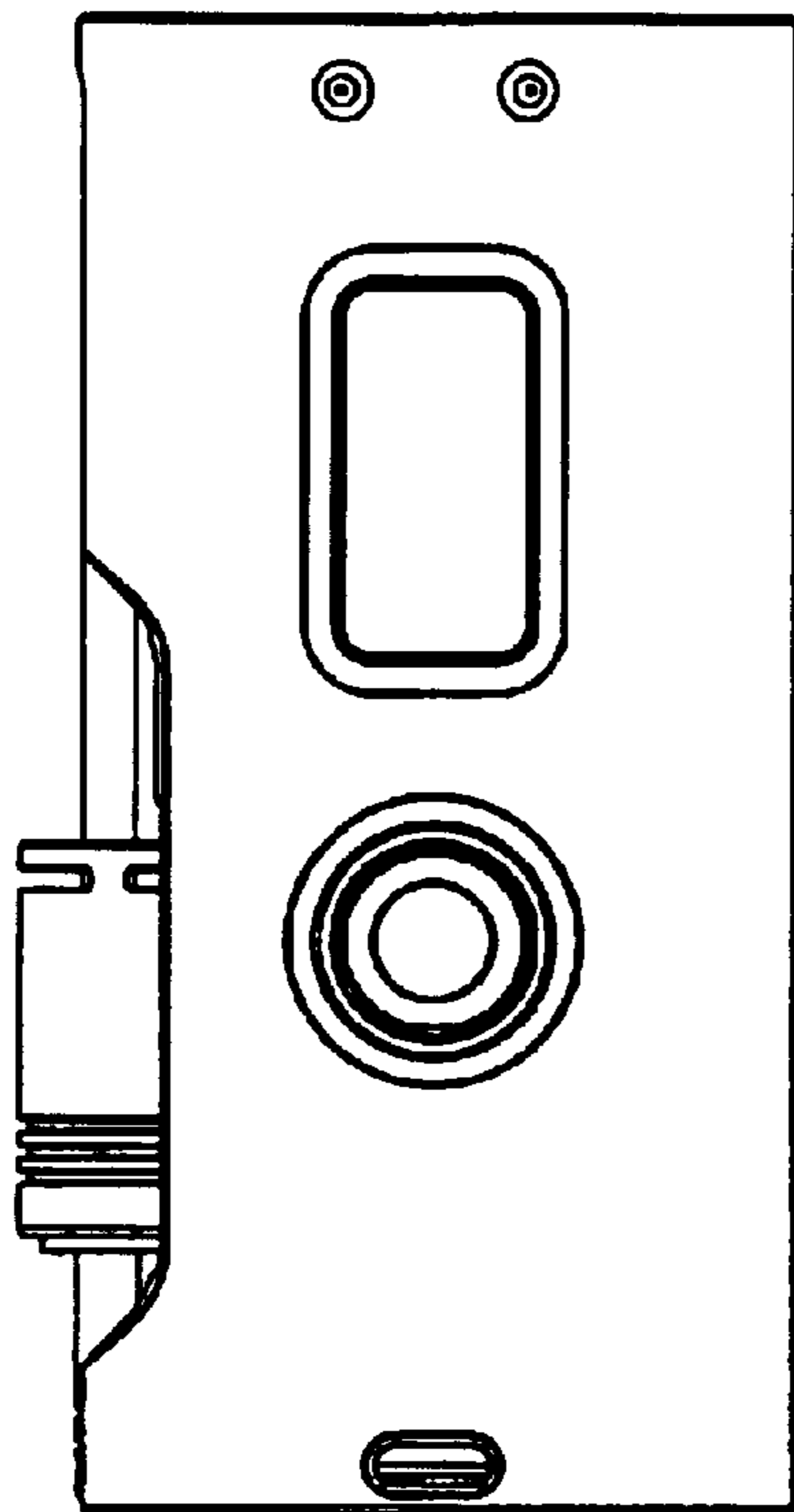


FIG. 2

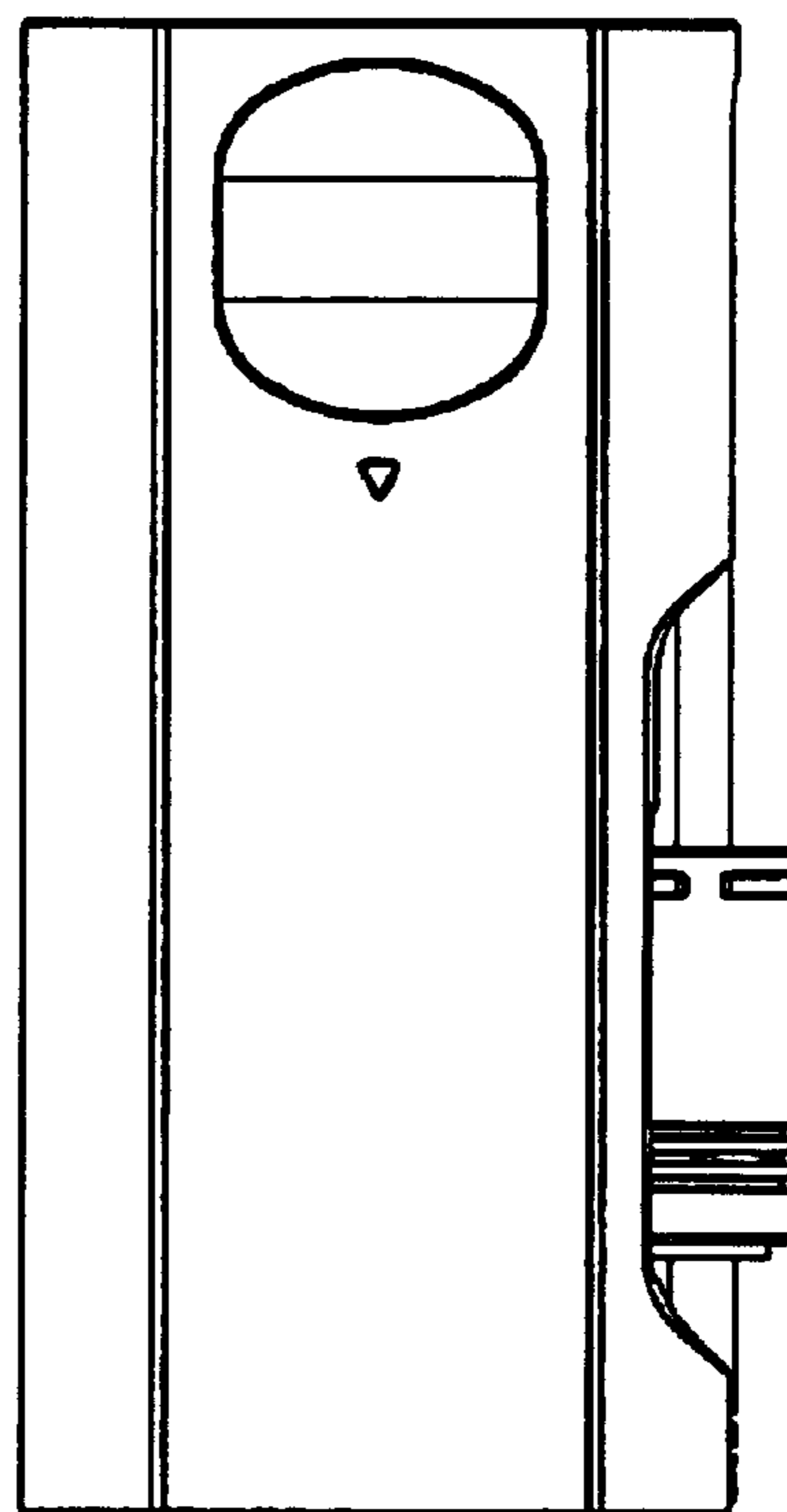


FIG. 3

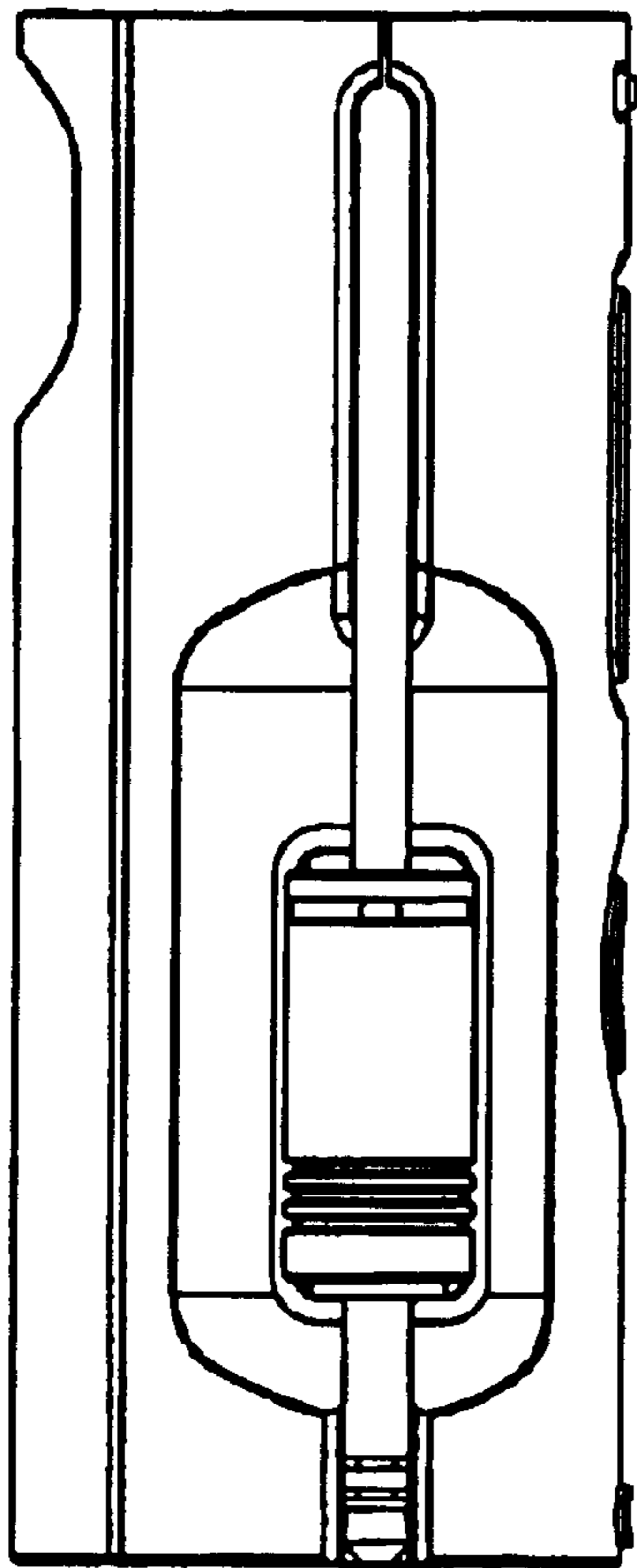


FIG. 4

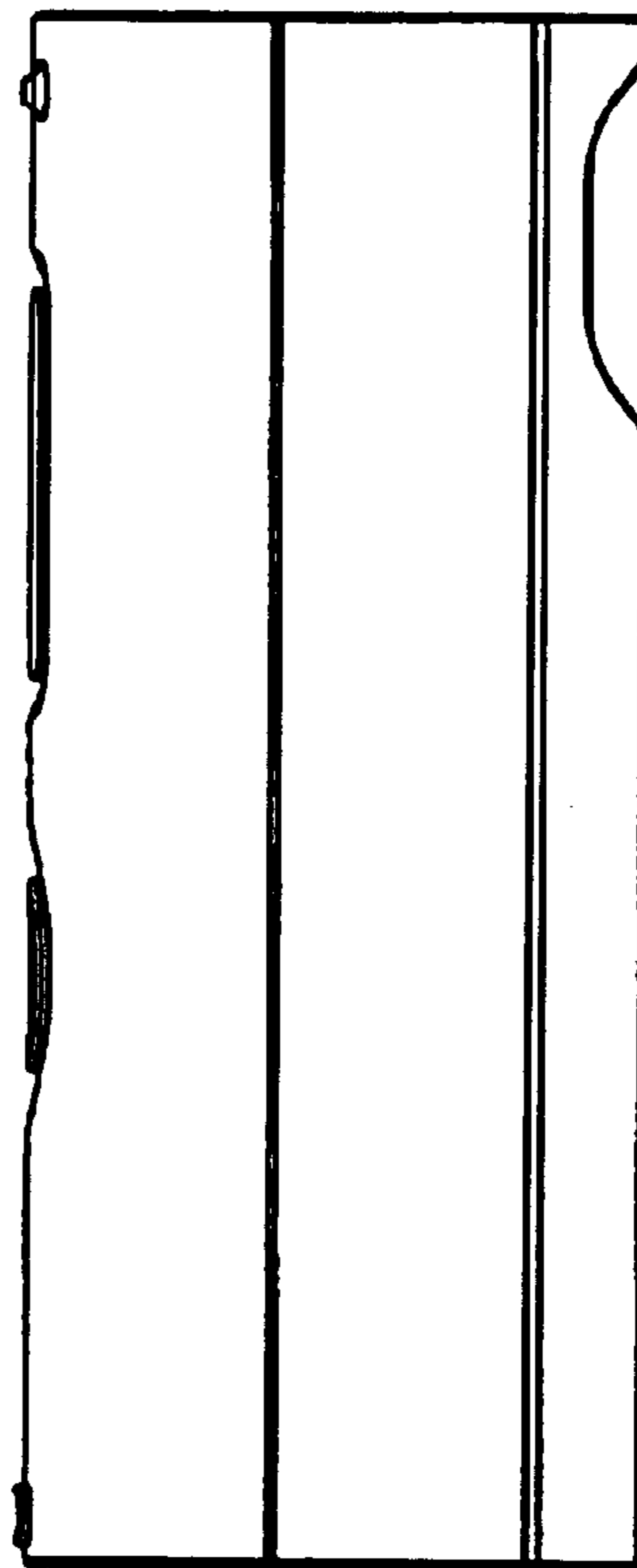


FIG. 5

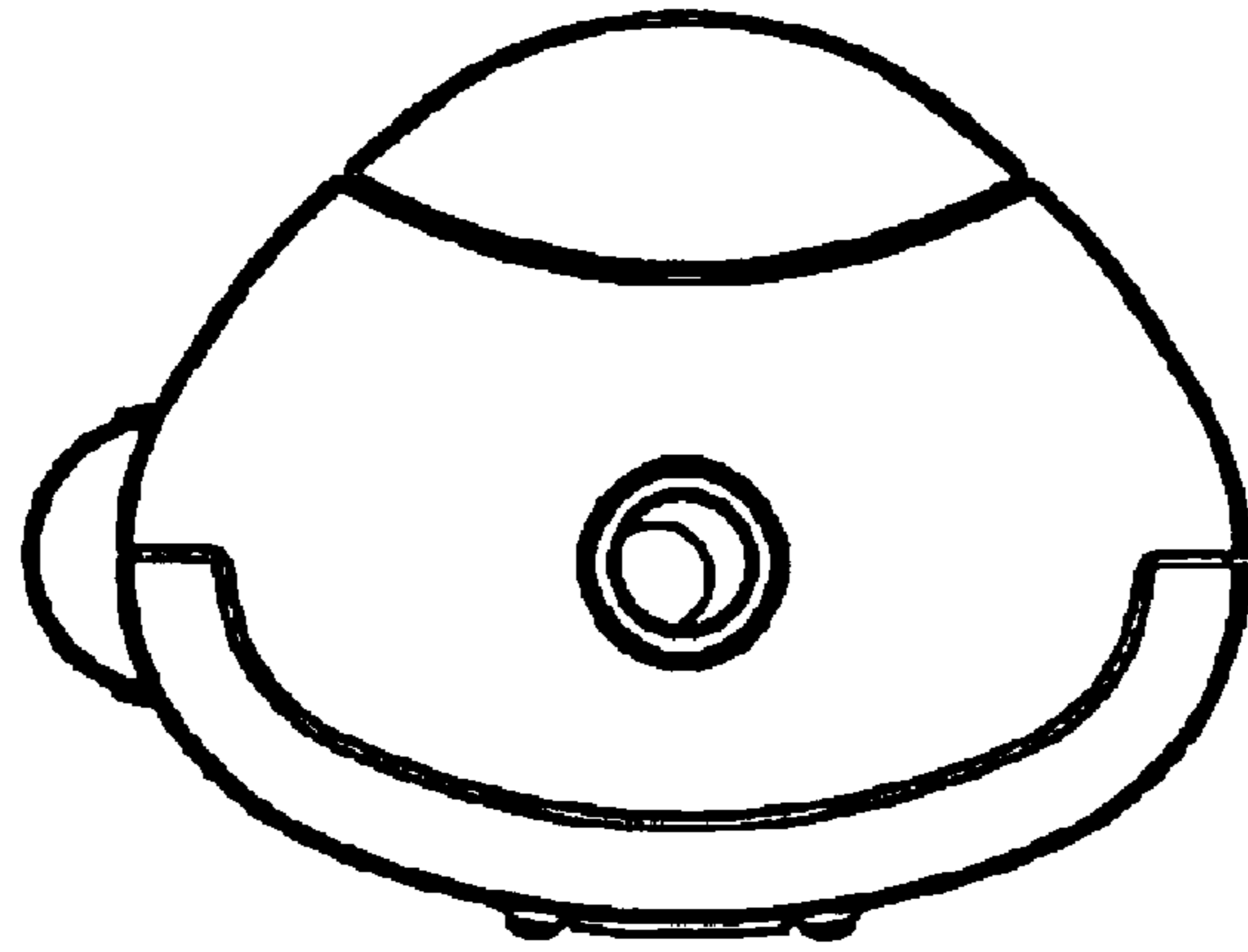


FIG. 6

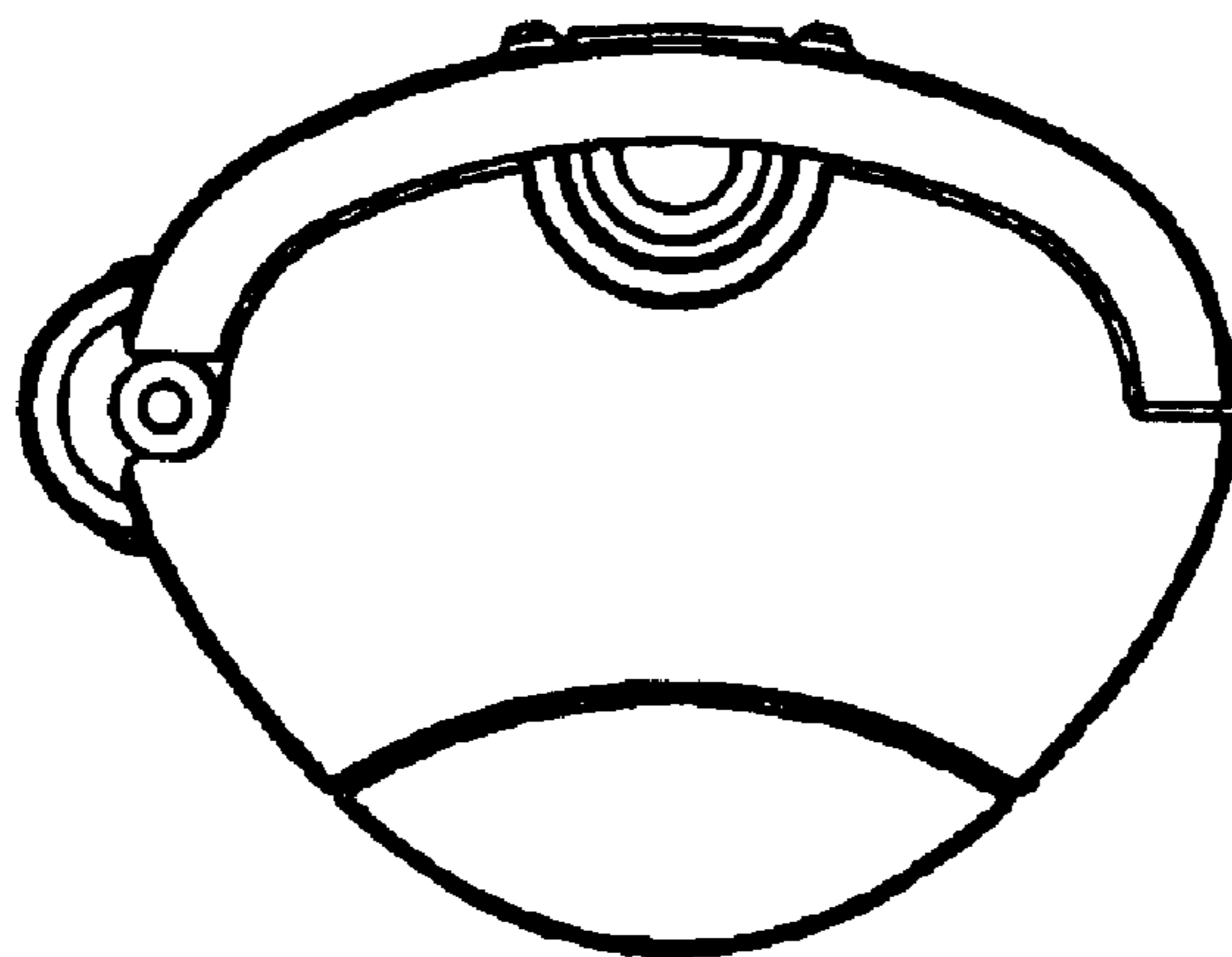


FIG. 7