

US00D509816S

(12) **United States Design Patent** (10) **Patent No.:** **US D509,816 S**
Kim et al. (45) **Date of Patent:** **** Sep. 20, 2005**

(54) **CELLULAR PHONE**

(75) Inventors: **Hyun-Sook Kim, Yongin-si (KR); Chang-Hwan Hwang, Goyang-si (KR); Yoon-Young Cho, Seoul (KR)**

(73) Assignee: **Samsung Electronics Co., Ltd. (KR)**

(**) Term: **14 Years**

(21) Appl. No.: **29/217,192**

(22) Filed: **Nov. 15, 2004**

(30) **Foreign Application Priority Data**

Jun. 1, 2004 (KR) 30-2004-0016192

(51) **LOC (8) Cl.** **14-03**

(52) **U.S. Cl.** **D14/138**

(58) **Field of Search** D14/137, 138, D14/147-148, 247-248, 144, 341-347; 379/433.01-433.13, 434; 455/550.1-90.3, 575.3, 566, 575.1; D21/517; 345/169

(56) **References Cited**

U.S. PATENT DOCUMENTS

D445,412 S	*	7/2001	Lee et al.	D14/138
D485,248 S	*	1/2004	Ogawa	D14/138
D485,249 S	*	1/2004	Liao et al.	D14/138
D485,818 S	*	1/2004	Yabe et al.	D14/138
D486,809 S	*	2/2004	Hwang	D14/138
D487,443 S	*	3/2004	Yoon	D14/138
D490,065 S	*	5/2004	Shimazu et al.	D14/138
D496,016 S	*	9/2004	Hoo	D14/138
D500,016 S	*	12/2004	Kim	D14/138
D500,481 S	*	1/2005	Kim et al.	D14/138
D501,457 S	*	2/2005	Lee et al.	D14/138
D501,658 S	*	2/2005	Park et al.	D14/138
D501,839 S	*	2/2005	Lee et al.	D14/138

D502,161 S	*	2/2005	Kim et al.	D14/138
D502,458 S	*	3/2005	Chung et al.	D14/138
2002/0051060 A1	*	5/2002	Wada	348/207
2003/0125079 A1	*	7/2003	Park et al.	455/556
2004/0097262 A1	*	5/2004	Lee	455/566.1
2004/0102225 A1	*	5/2004	Furuta et al.	455/566
2004/0132513 A1	*	7/2004	Taneda et al.	455/573.3
2004/0142718 A1	*	7/2004	Kim	455/550.1
2004/0185923 A1	*	9/2004	Park et al.	455/575.1
2004/0214619 A1	*	10/2004	Chiang	455/575.3
2005/0003852 A1	*	1/2005	Song	455/550.1

FOREIGN PATENT DOCUMENTS

JP	D1167658	*	3/2003
JP	D1188710	*	10/2003
WO	DM/064560	*	10/2003

* cited by examiner

Primary Examiner—Jeffrey Asch

(74) *Attorney, Agent, or Firm*—Cantor Colburn LLP

(57) **CLAIM**

The ornamental design for a cellular phone, as shown and described.

DESCRIPTION

FIG. 1 is a top and front perspective view of a cellular phone, showing our new design; FIG. 2 is a front elevational view thereof; FIG. 3 is a rear elevational view thereof; FIG. 4 is a left side elevational view thereof; FIG. 5 is a right side elevational view thereof; FIG. 6 is a top elevational view thereof; FIG. 7 is a bottom elevational view thereof; and, FIG. 8 is a front perspective view thereof, the cellular phone being in an alternate position.

1 Claim, 3 Drawing Sheets

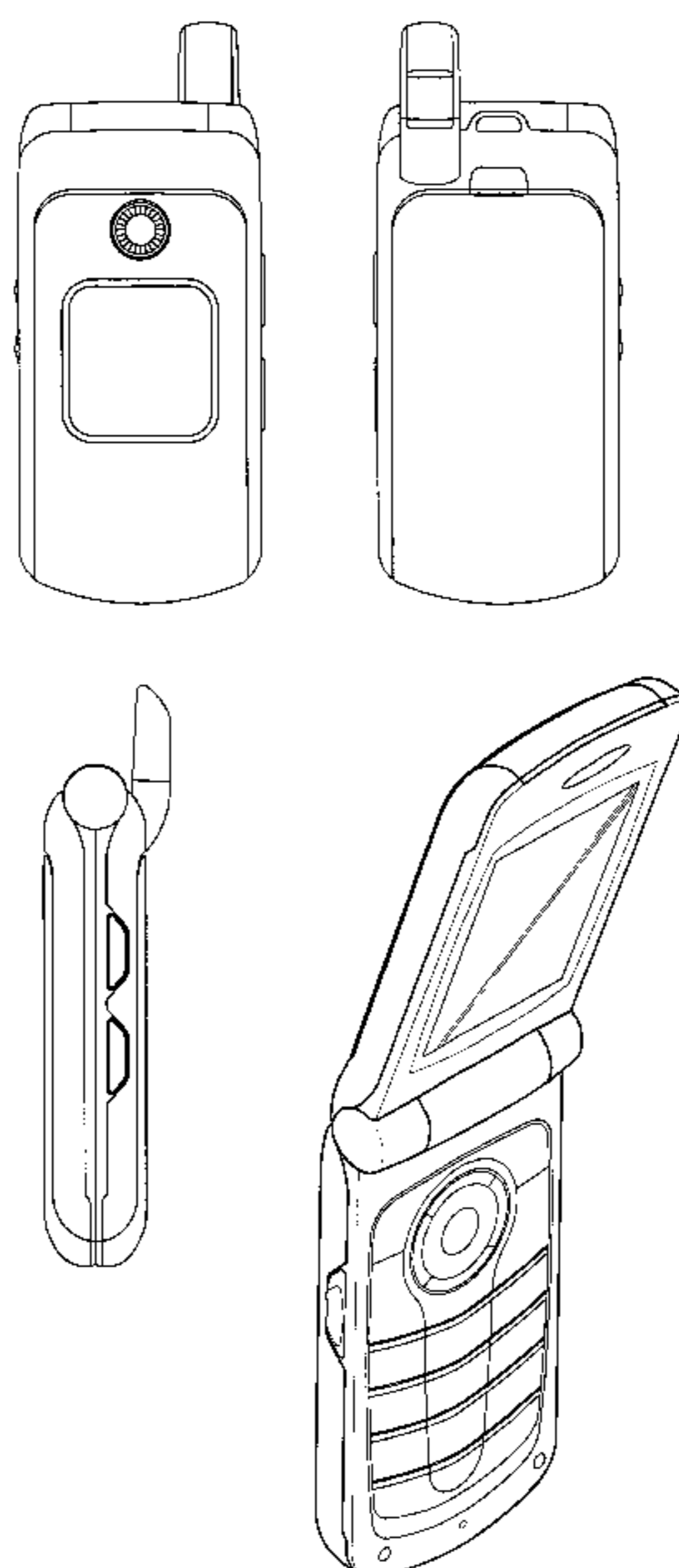


FIG. 1

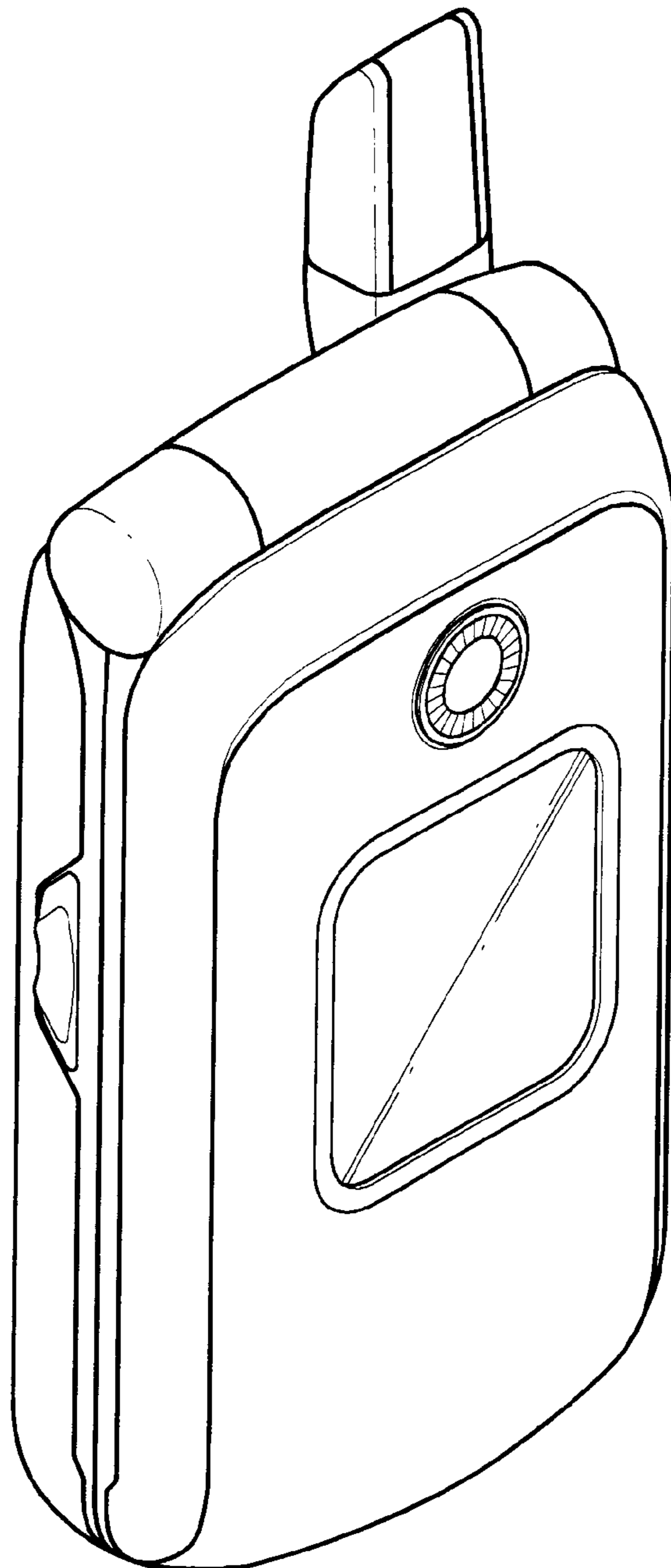


FIG.2

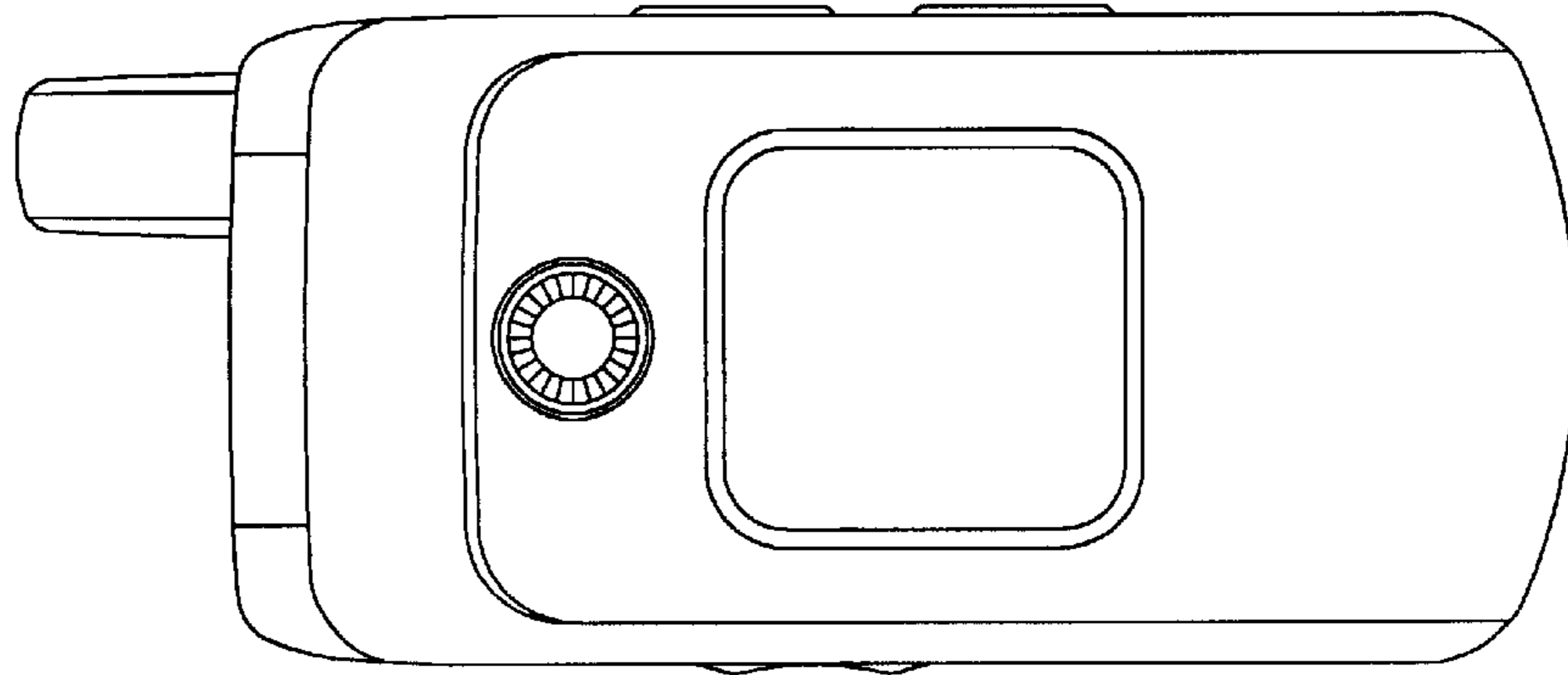


FIG.3

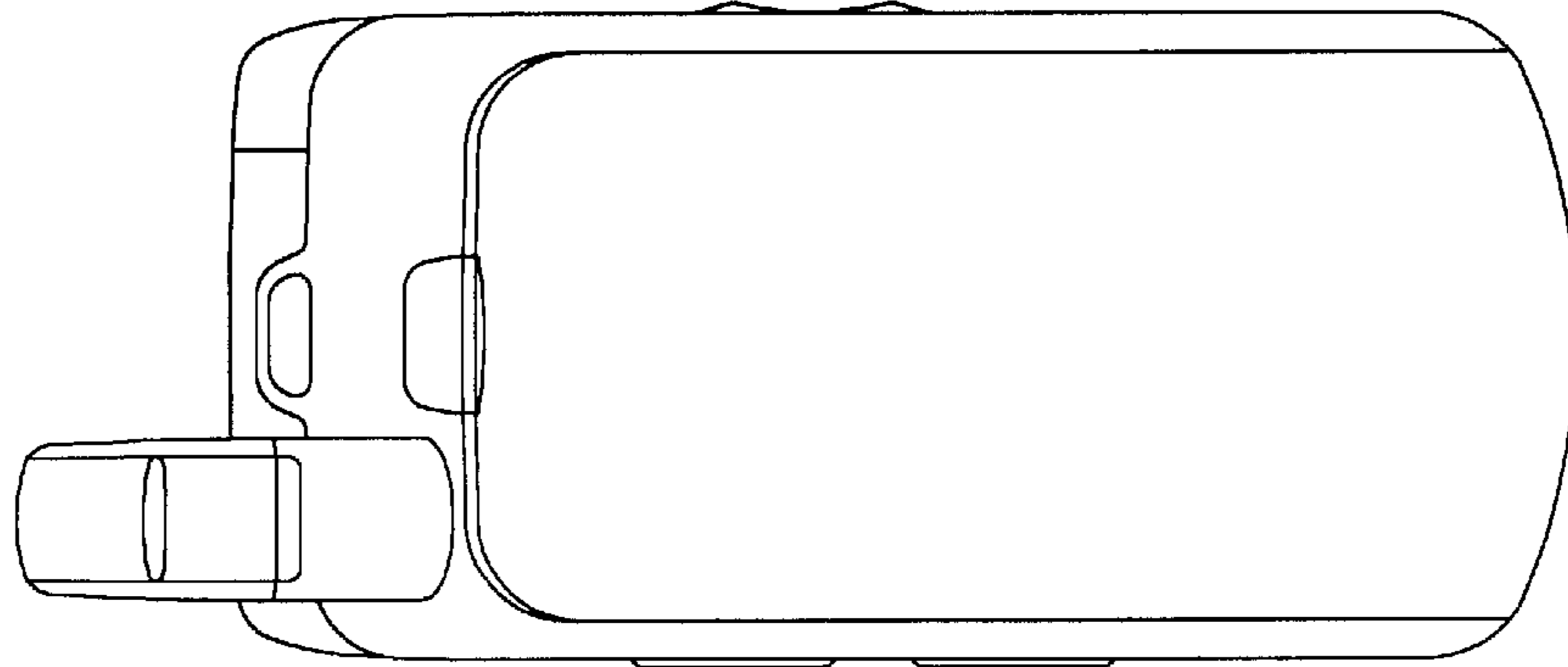


FIG.4

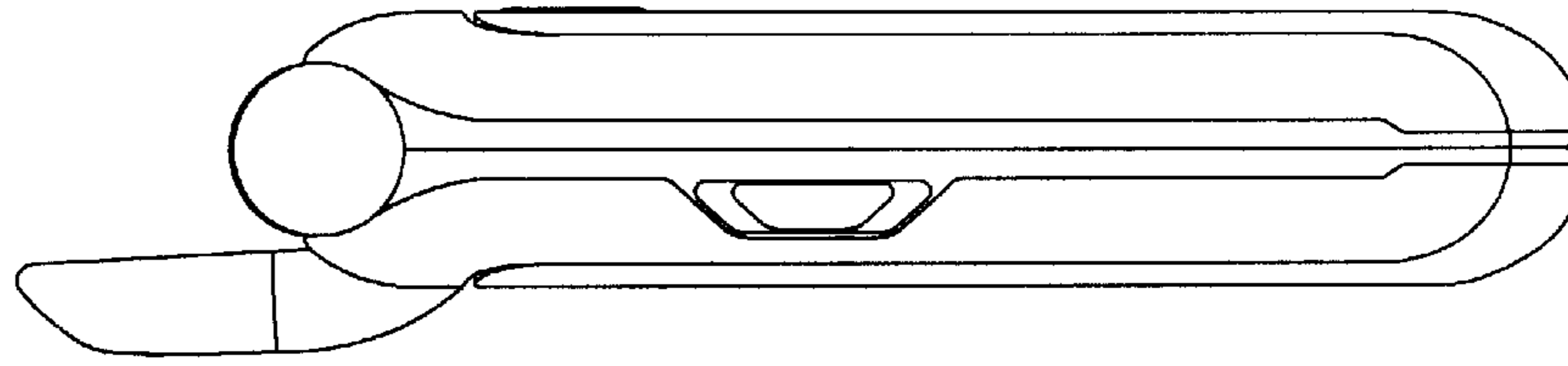


FIG.5

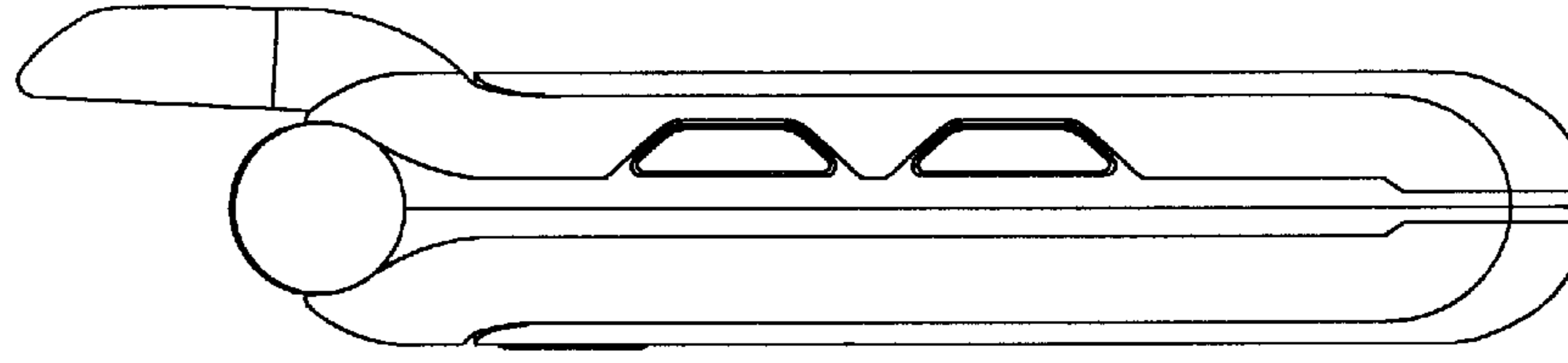


FIG. 6

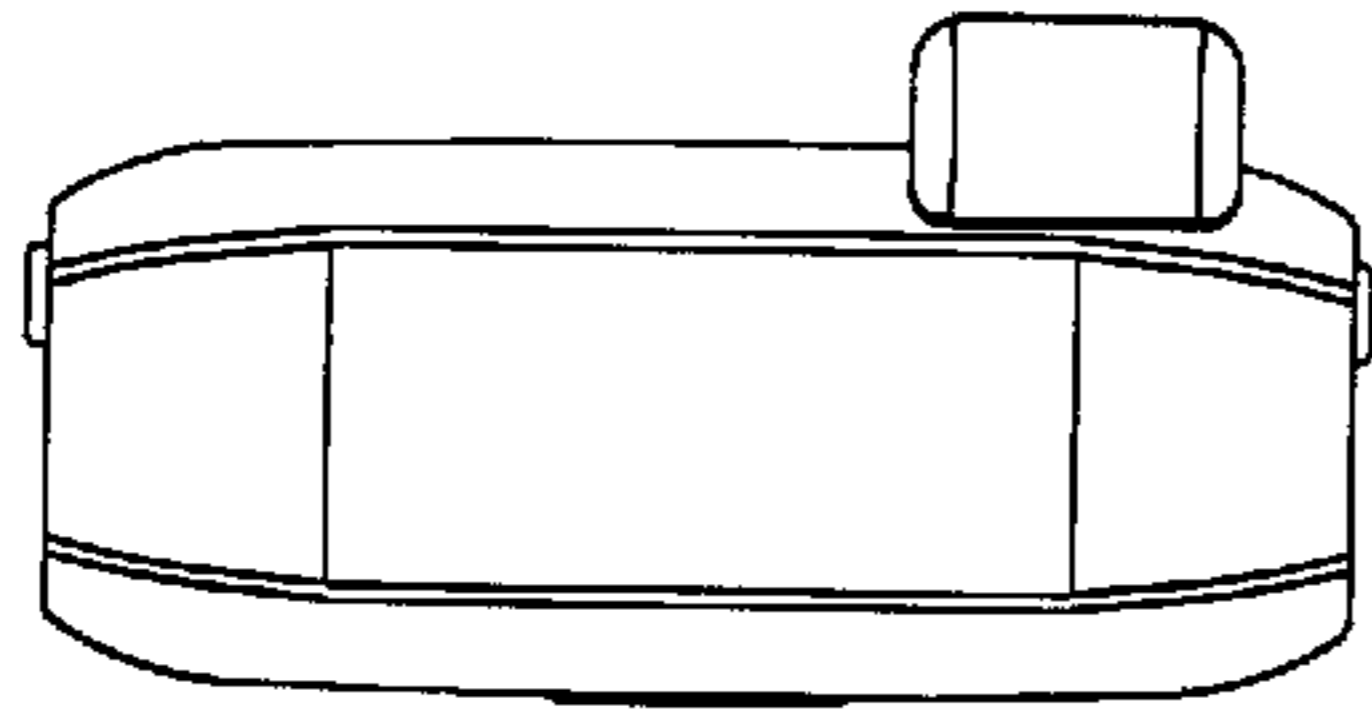


FIG. 7

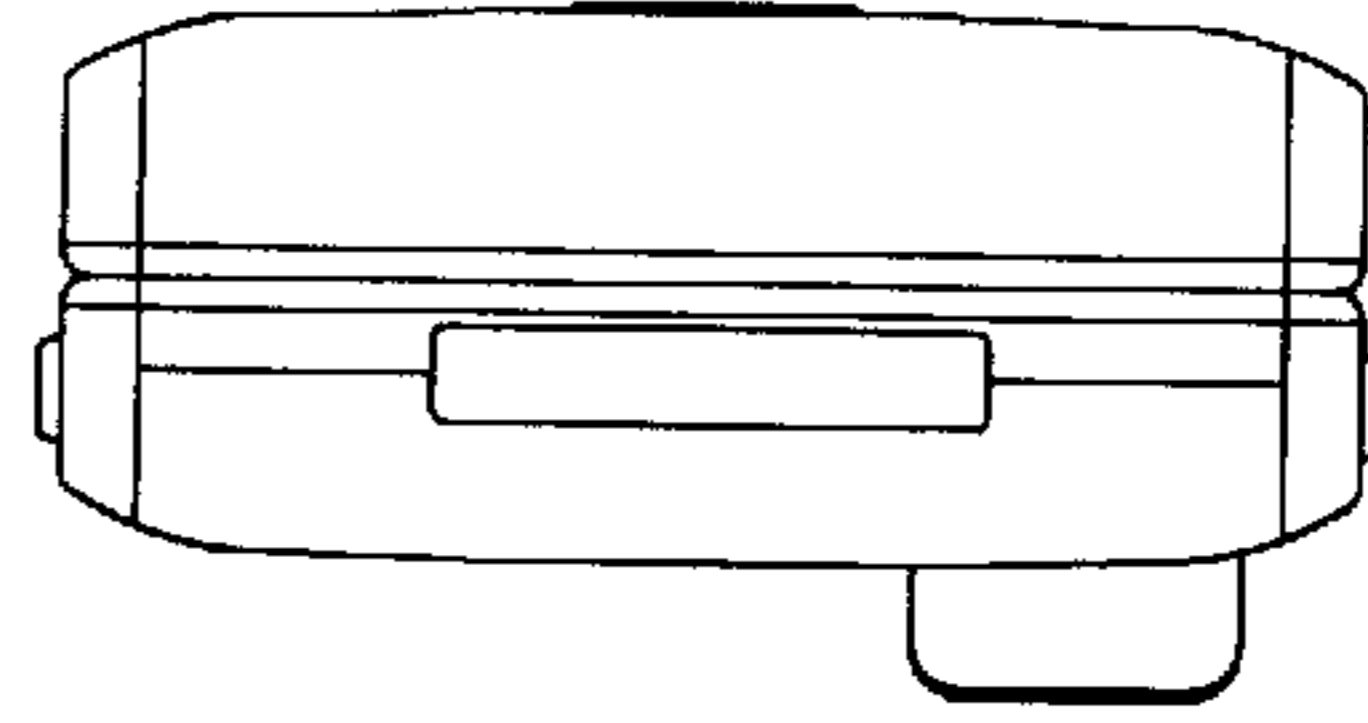


FIG. 8

