

US00D509811S

(12) **United States Design Patent**  
**Usami et al.**

(10) **Patent No.:** **US D509,811 S**

(45) **Date of Patent:** **\*\* Sep. 20, 2005**

(54) **DIGITAL VIDEO DISK RECORDER**

(75) Inventors: **Seiji Usami**, Utsunomiya (JP); **Motoko Shimizu**, Tochigi-ken (JP)

(73) Assignee: **Sharp Kabushiki Kaisha**, Osaka (JP)

(\*\*) Term: **14 Years**

(21) Appl. No.: **29/199,749**

(22) Filed: **Feb. 20, 2004**

(30) **Foreign Application Priority Data**

Aug. 21, 2003 (JP) ..... 2003-024071

(51) **LOC (8) Cl.** ..... **14-01**

(52) **U.S. Cl.** ..... **D14/136**

(58) **Field of Search** ..... D14/135-136,  
D14/156-157, 160-165, 167-168, 192-198,  
188, 217, 257, 258, 455; 360/99.02, 99.07;  
369/75.11, 75.21, 77.11, 77.21; 720/612,  
619, 647, 655; 455/344, 347-351

(56) **References Cited**

U.S. PATENT DOCUMENTS

D321,689 S \* 11/1991 Yamakawa ..... D14/136

D410,919 S \* 6/1999 Sato et al. .... D14/136

D429,706 S \* 8/2000 Miyazaki ..... D14/135

D459,707 S \* 7/2002 Moriya et al. .... D14/135

D466,876 S 12/2002 Usami et al.

D476,305 S \* 6/2003 Orihara et al. .... D14/168

\* cited by examiner

*Primary Examiner*—Nanda Bondade

(74) *Attorney, Agent, or Firm*—Nixon & Vanderhye

(57) **CLAIM**

The ornamental design for a “digital video disk recorder,” as shown and described.

**DESCRIPTION**

FIG. 1 is a top, front and right side perspective view of a digital video disk recorder according to our design;

FIG. 2 is a front elevational view thereof;

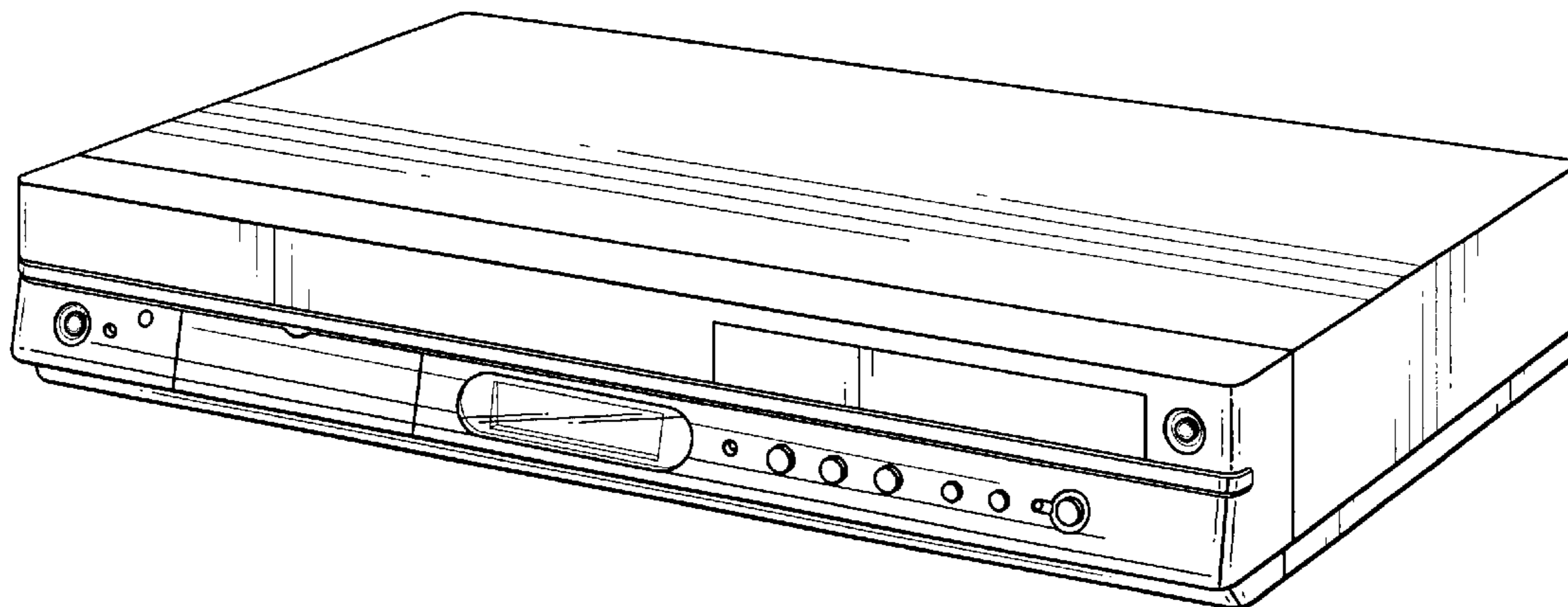
FIG. 3 is a rear elevational view thereof;

FIG. 4 is a top plan view thereof;

FIG. 5 is bottom plan view thereof; and,

FIG. 6 is a right side elevational view thereof, the left side being a mirror image.

**1 Claim, 3 Drawing Sheets**



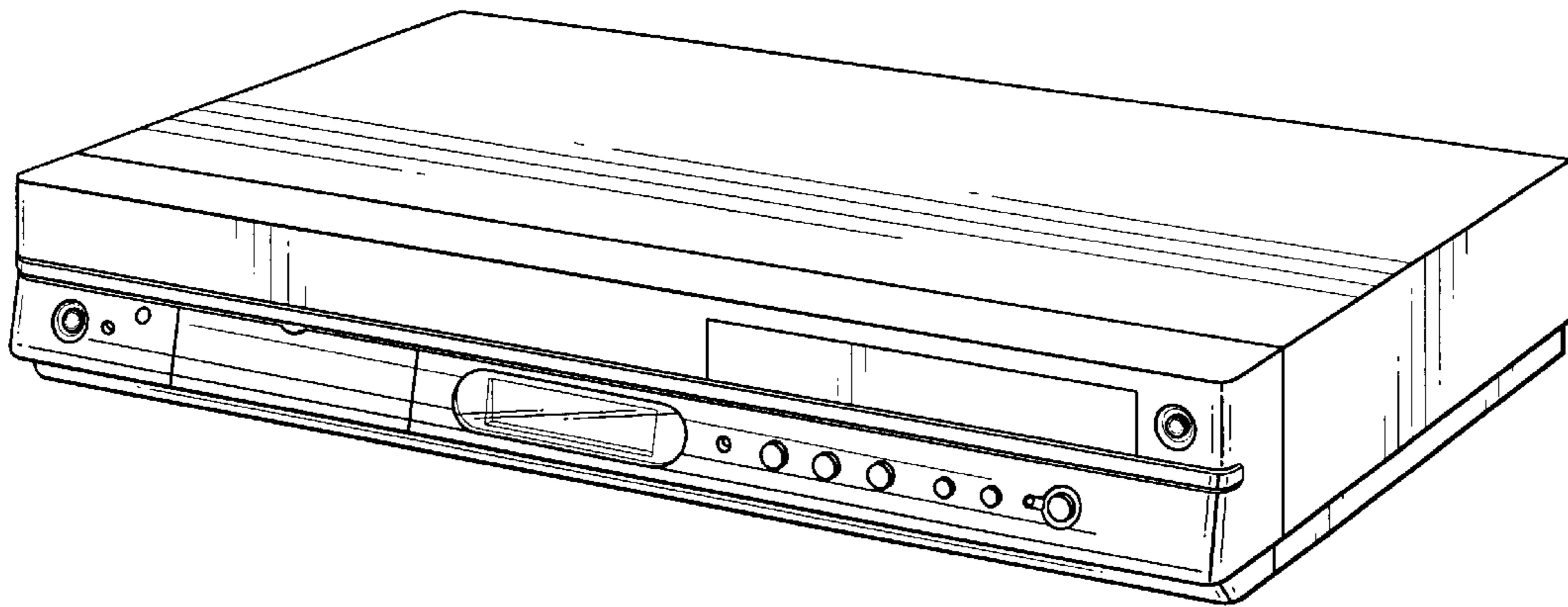


Fig. 1

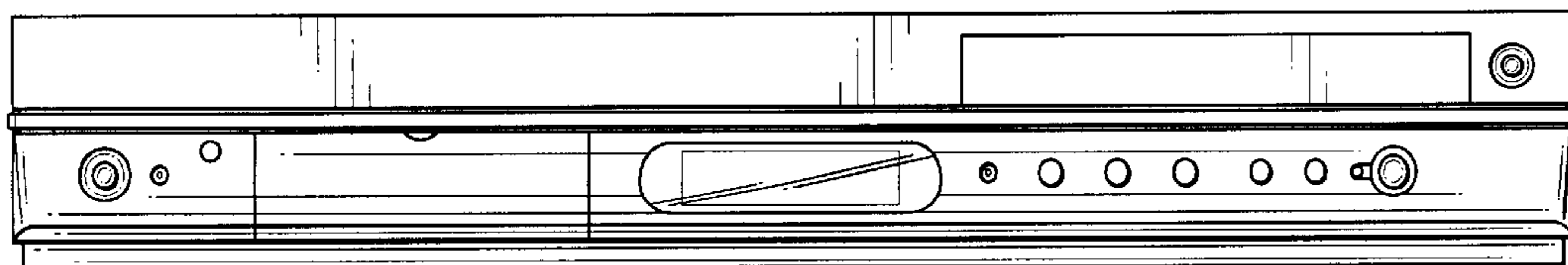


Fig. 2

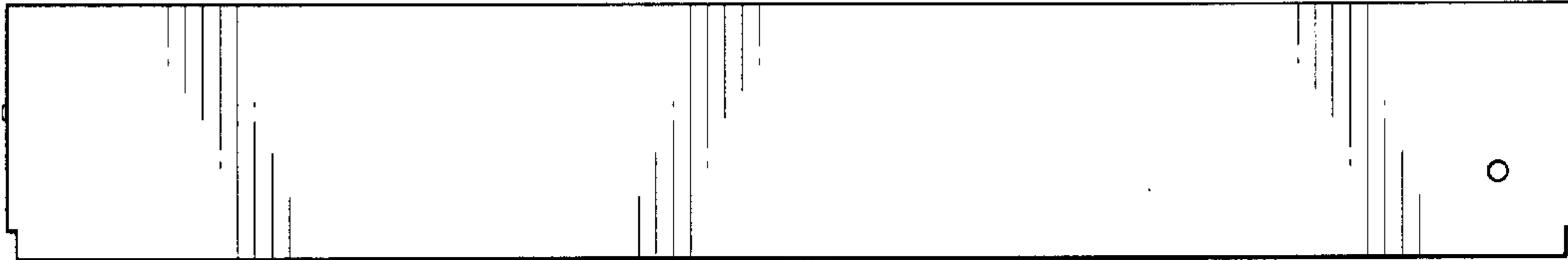


Fig. 3

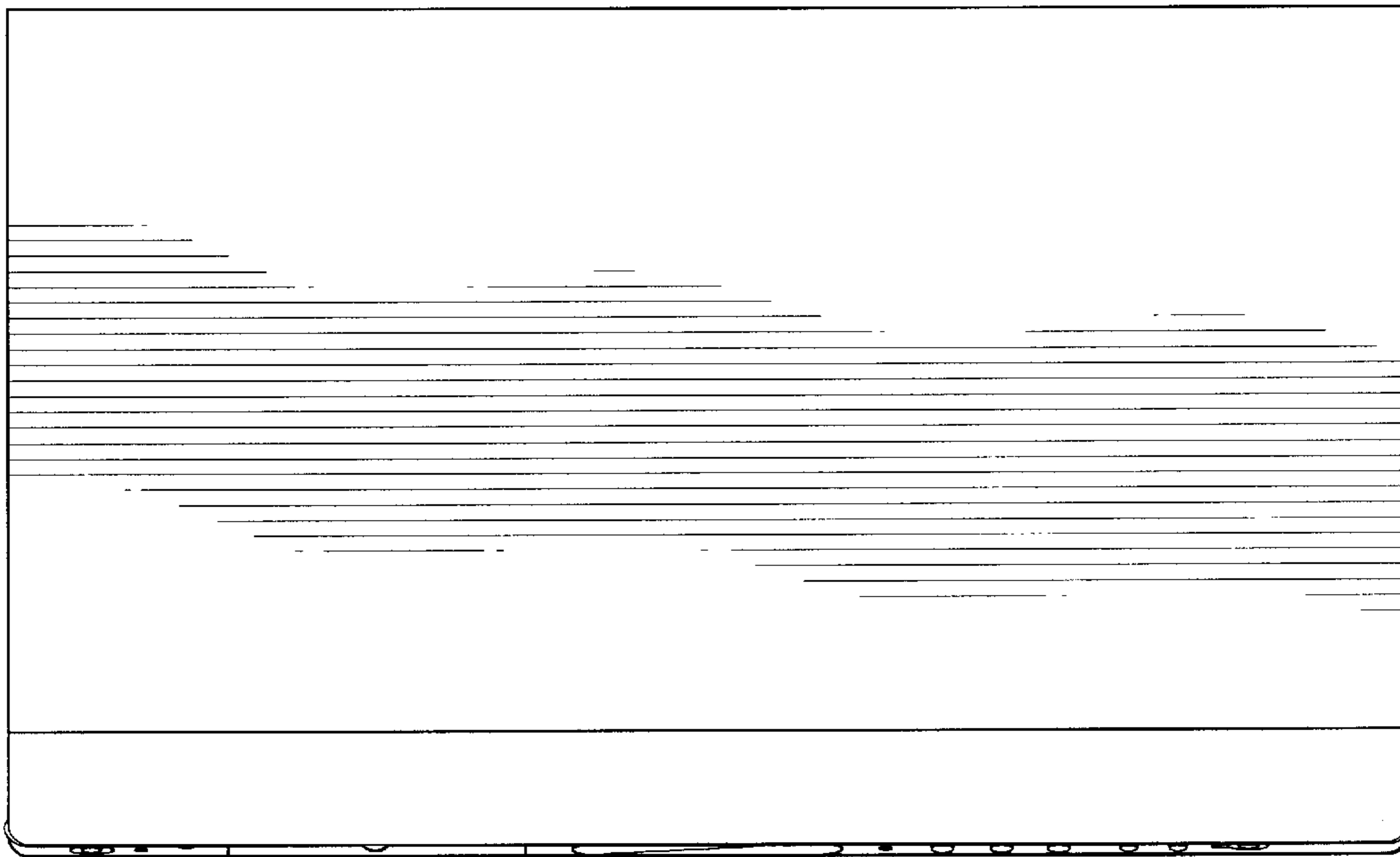


Fig. 4

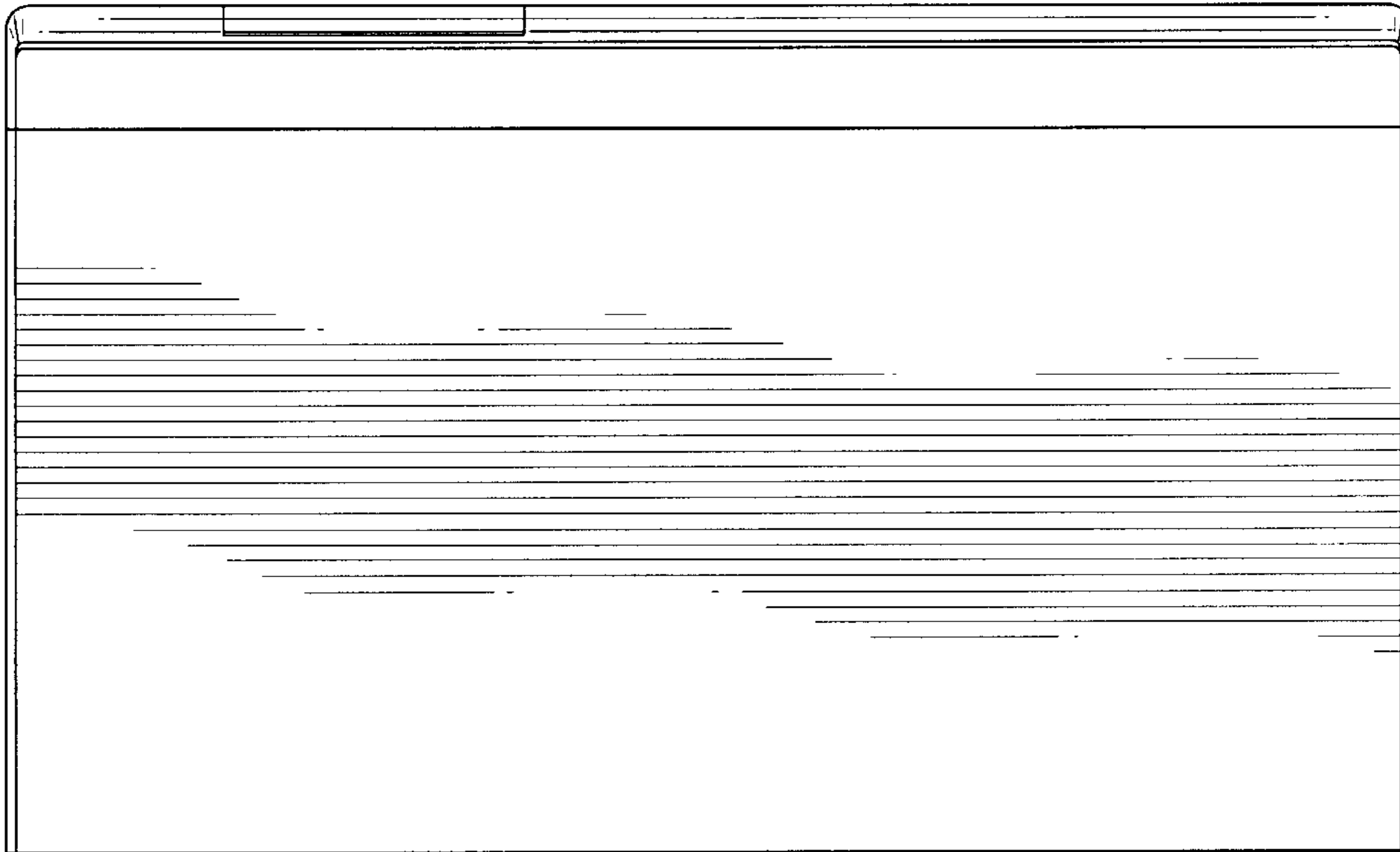


Fig. 5

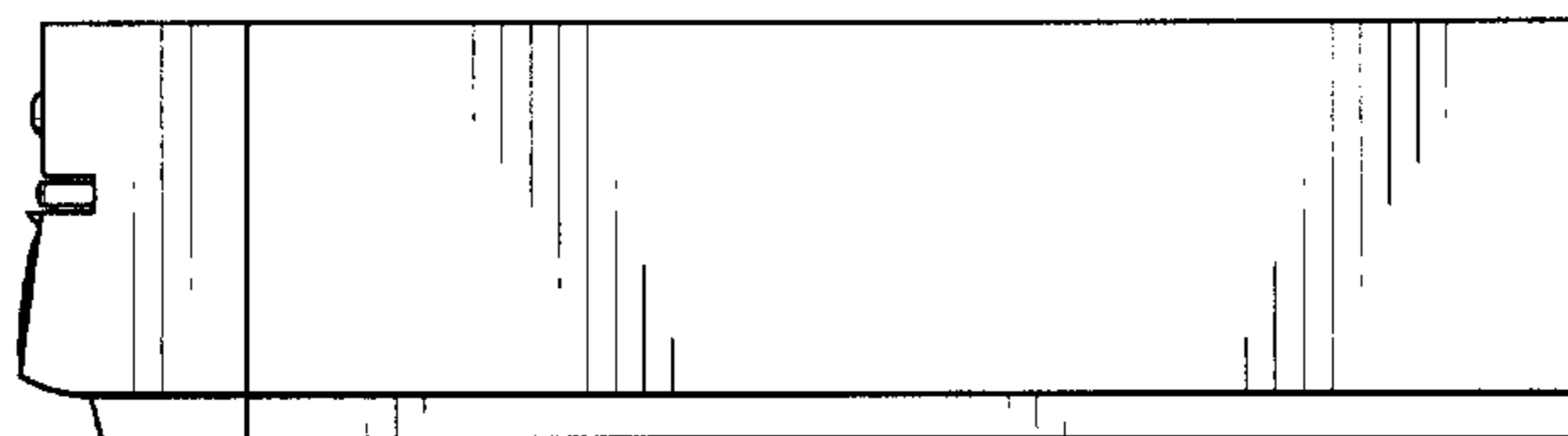


Fig. 6