

US00D509809S

(12) **United States Design Patent**  
**Wang et al.**

(10) **Patent No.: US D509,809 S**  
(45) **Date of Patent: \*\* Sep. 20, 2005**

(54) **METAL BASE DESIGN FOR SURFACE MOUNT DEVICE LED**

6,574,254 B1 \* 6/2003 Wang ..... 372/34  
D476,959 S \* 7/2003 Yamada et al. .... D13/182

(75) Inventors: **Bily Wang**, Hsin Chu (TW); **Jonnie Chuang**, Hsin Chu (TW); **Hui Yen Huang**, Hsin Chu (TW)

\* cited by examiner

*Primary Examiner*—Stella Reid  
*Assistant Examiner*—Selina Sikder

(73) Assignee: **Harvatek Corporation**, Hsin Chu (TW)

(74) *Attorney, Agent, or Firm*—Bacon & Thomas PLLC

(\*\*) Term: **14 Years**

(57) **CLAIM**

The ornamental design for a metal base design for surface mount device LED, as shown and described.

(21) Appl. No.: **29/210,937**

**DESCRIPTION**

(22) Filed: **Aug. 10, 2004**

(51) **LOC (8) Cl.** ..... **13-03**

(52) **U.S. Cl.** ..... **D13/180**

(58) **Field of Search** ..... D13/180, 182;  
174/52.4; 257/99, 91, 431, 433, 666, 81;  
315/169.2, 169.3; 361/767; 362/249, 582;  
372/34; 438/124

FIG. 1 is a top 3D view of a metal base design for surface mount device LED showing my new design:

FIG. 2 is a front view thereof;

FIG. 3 is a rear view thereof;

FIG. 4 is a left side view thereof;

FIG. 5 is a right side view thereof;

FIG. 6 is a top view thereof;

FIG. 7 is a bottom view thereof;

FIG. 8 is a bottom 3D view thereof; and,

FIG. 9 is a view after packing with chip and wiring thereof.

The broken line showing of the environment is for illustrative purpose only and forms no part of the claimed design.

(56) **References Cited**

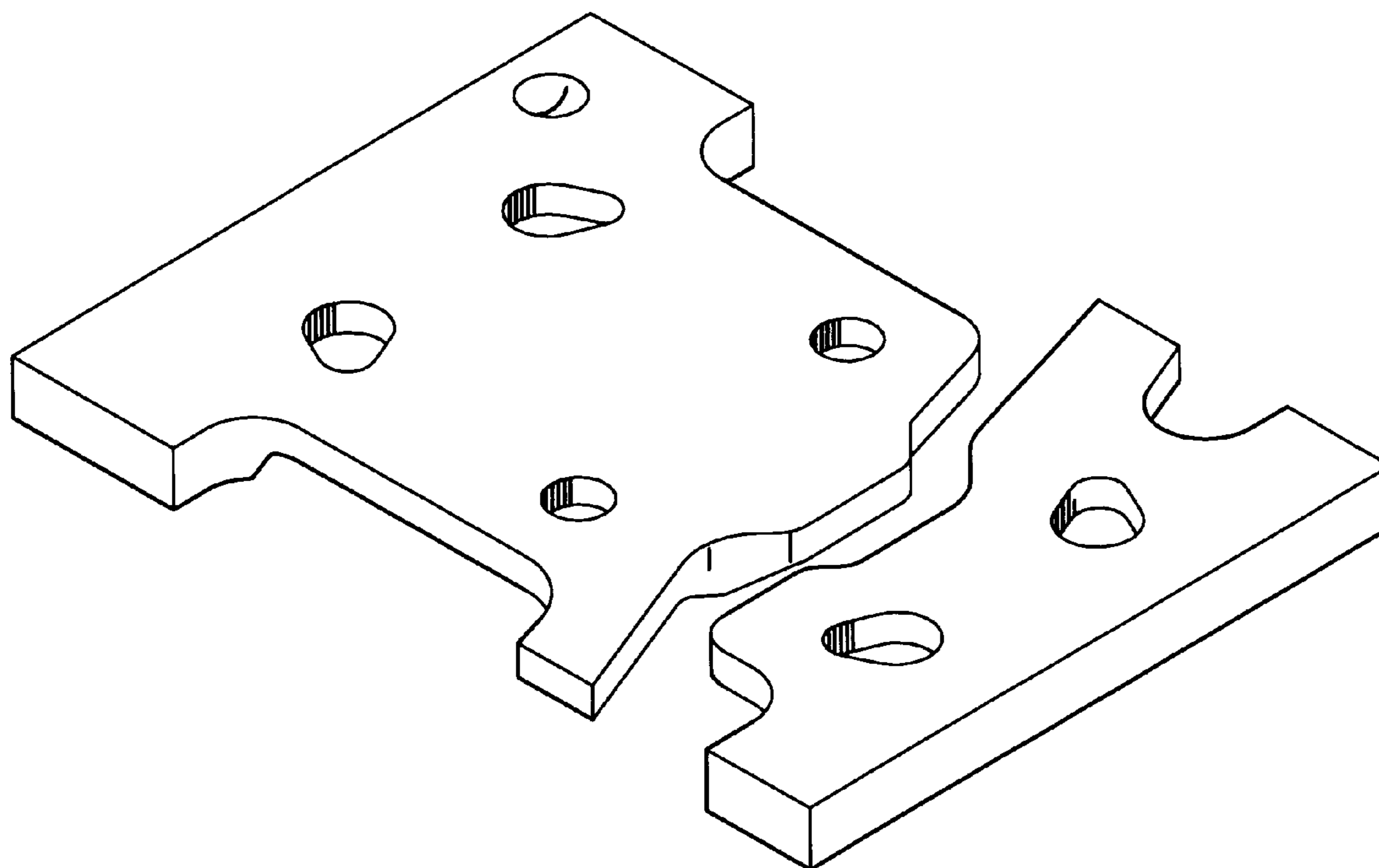
**U.S. PATENT DOCUMENTS**

5,369,551 A \* 11/1994 Gore et al. .... 361/767

6,300,674 B1 \* 10/2001 Wang ..... 257/666

6,422,716 B2 \* 7/2002 Henrici et al. .... 362/249

**1 Claim, 7 Drawing Sheets**



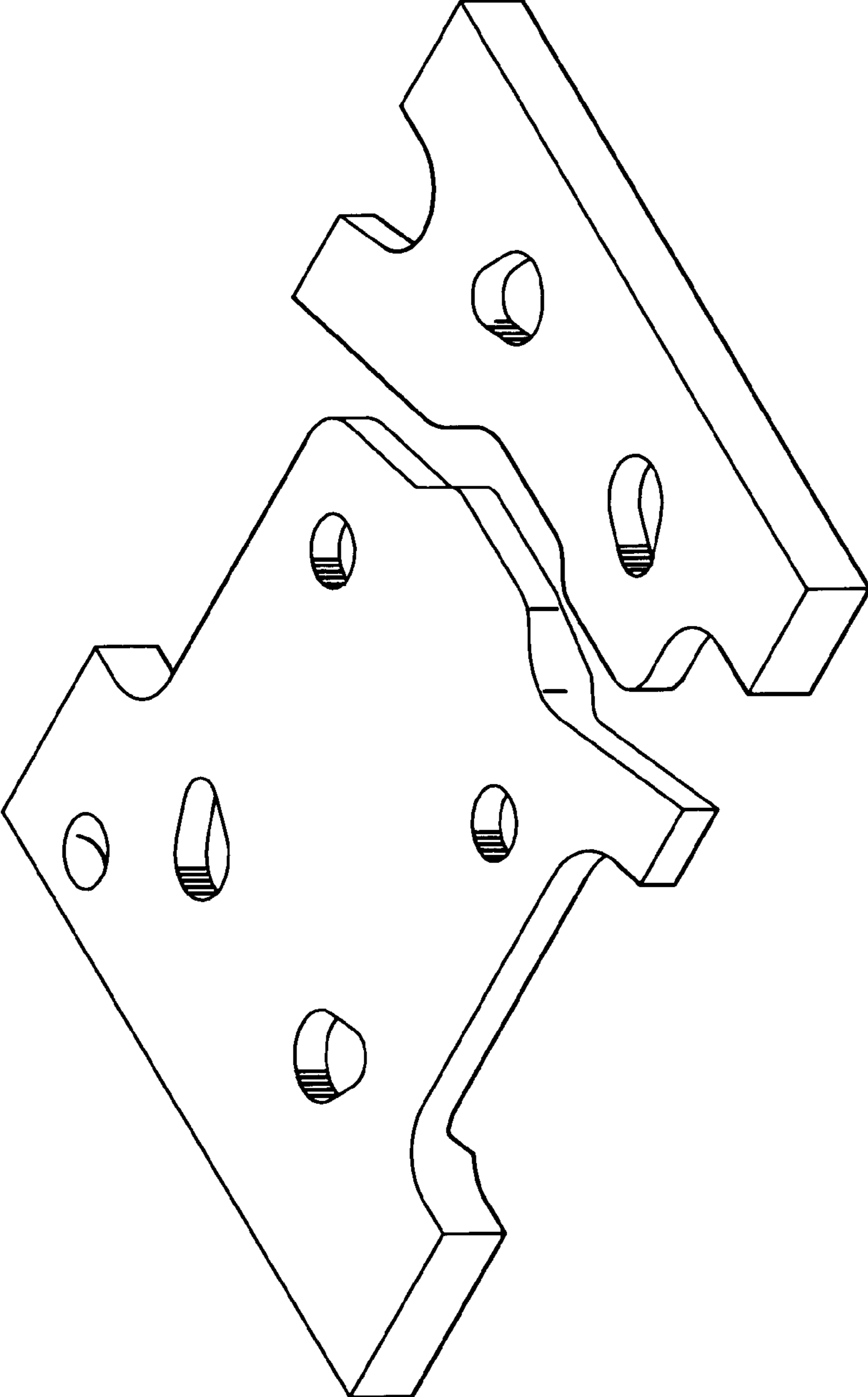


FIG. 1



FIG. 2



FIG. 3



FIG. 5



FIG. 4

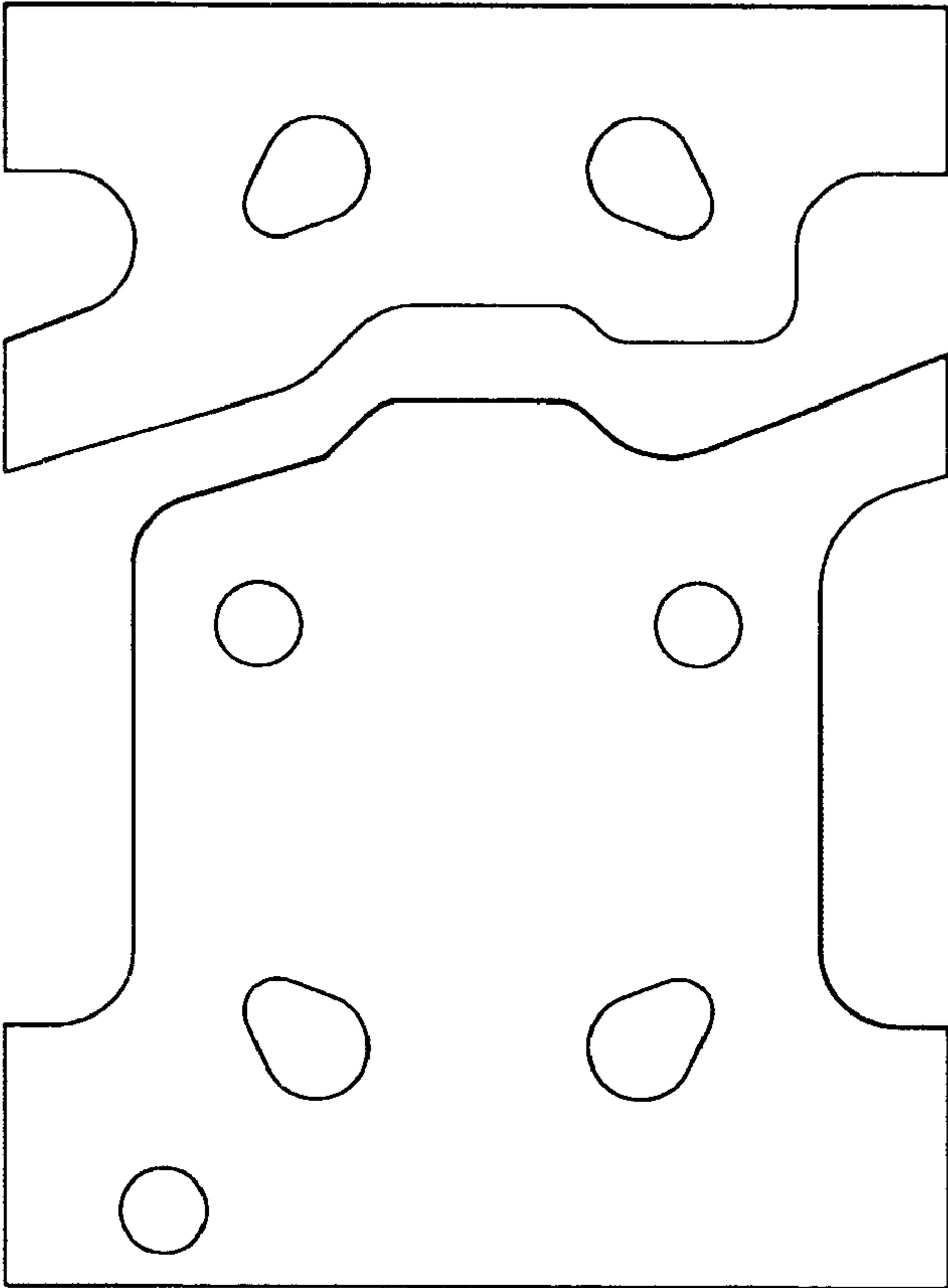


FIG. 6

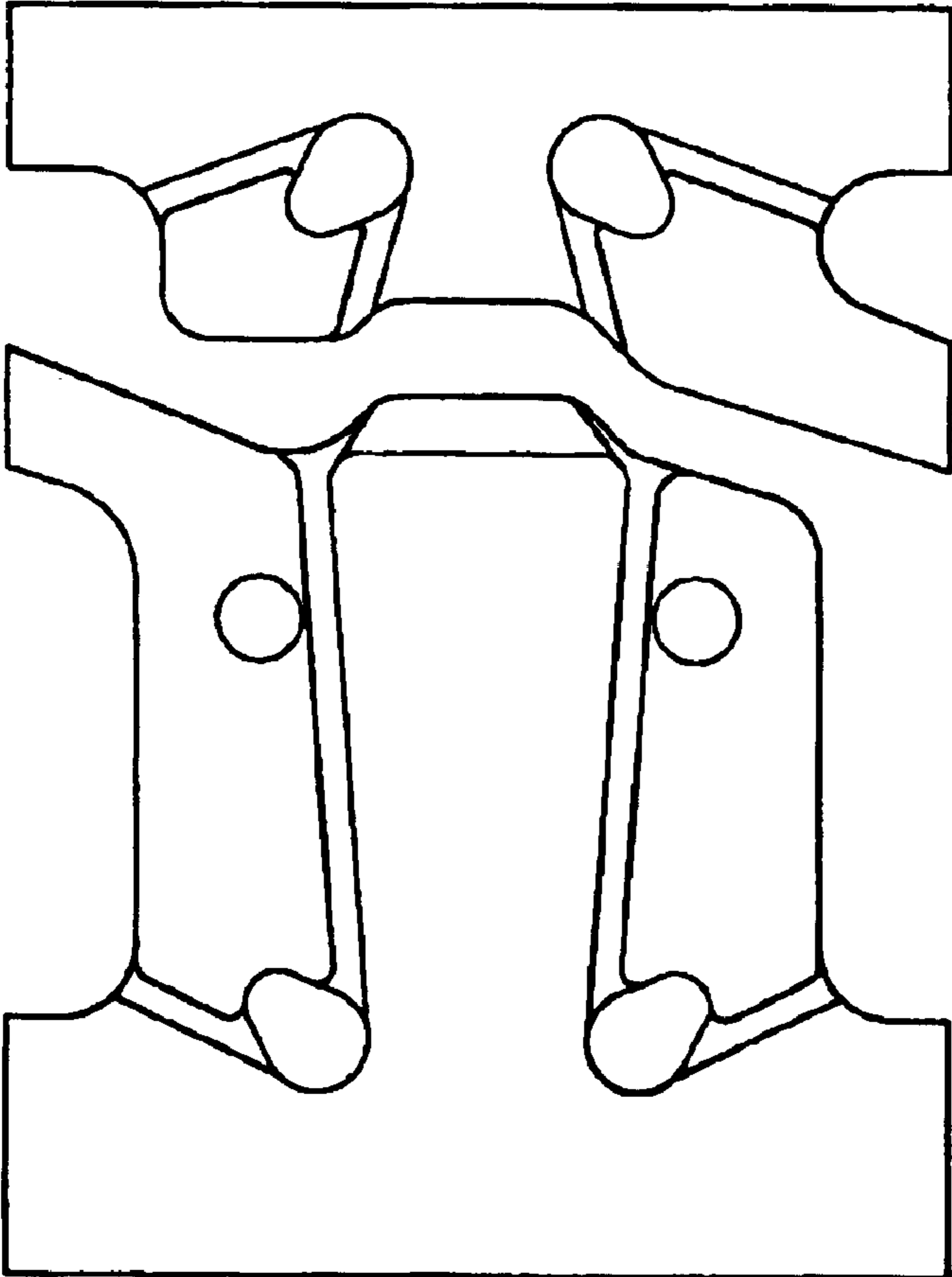


FIG. 7

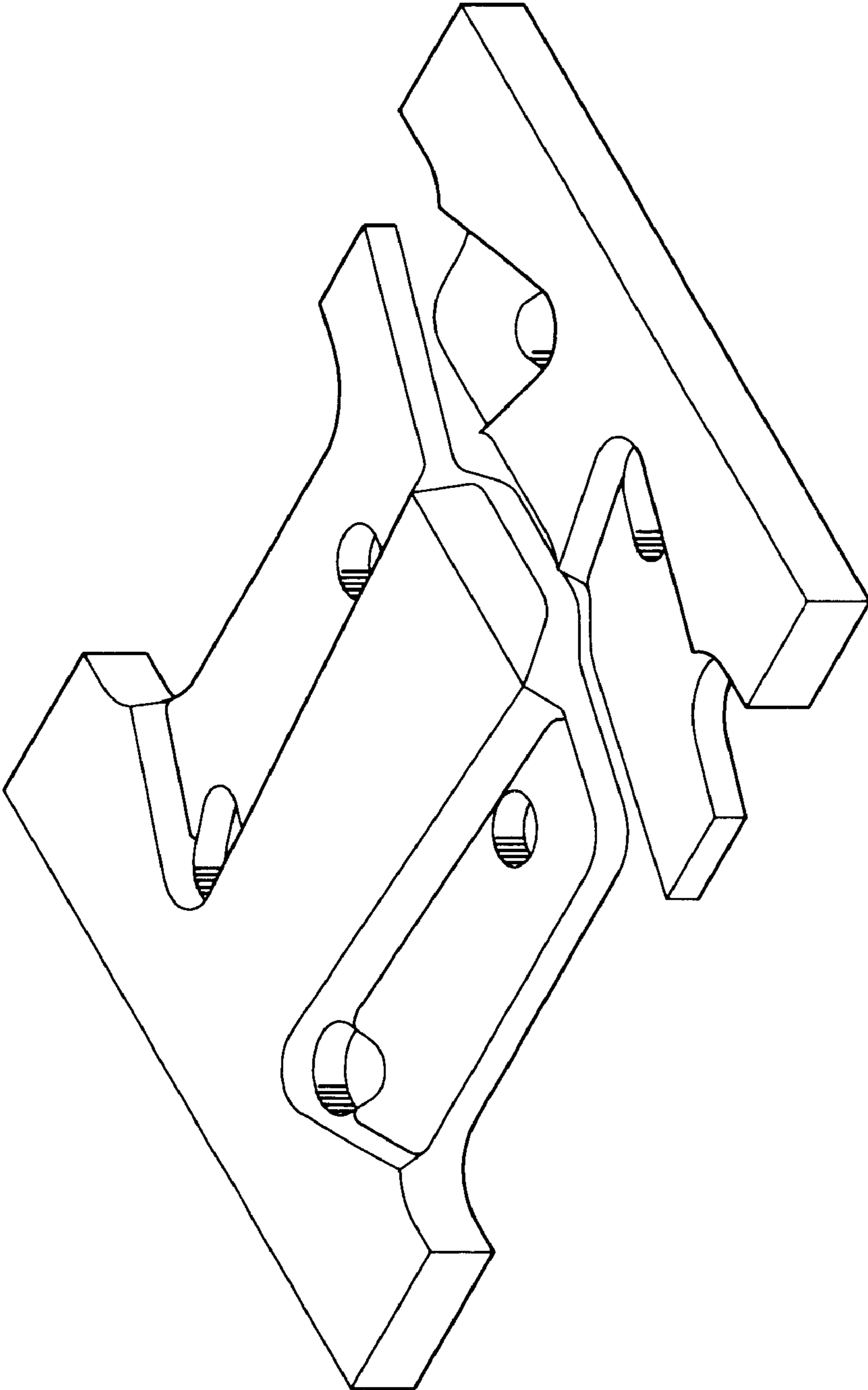


FIG. 8

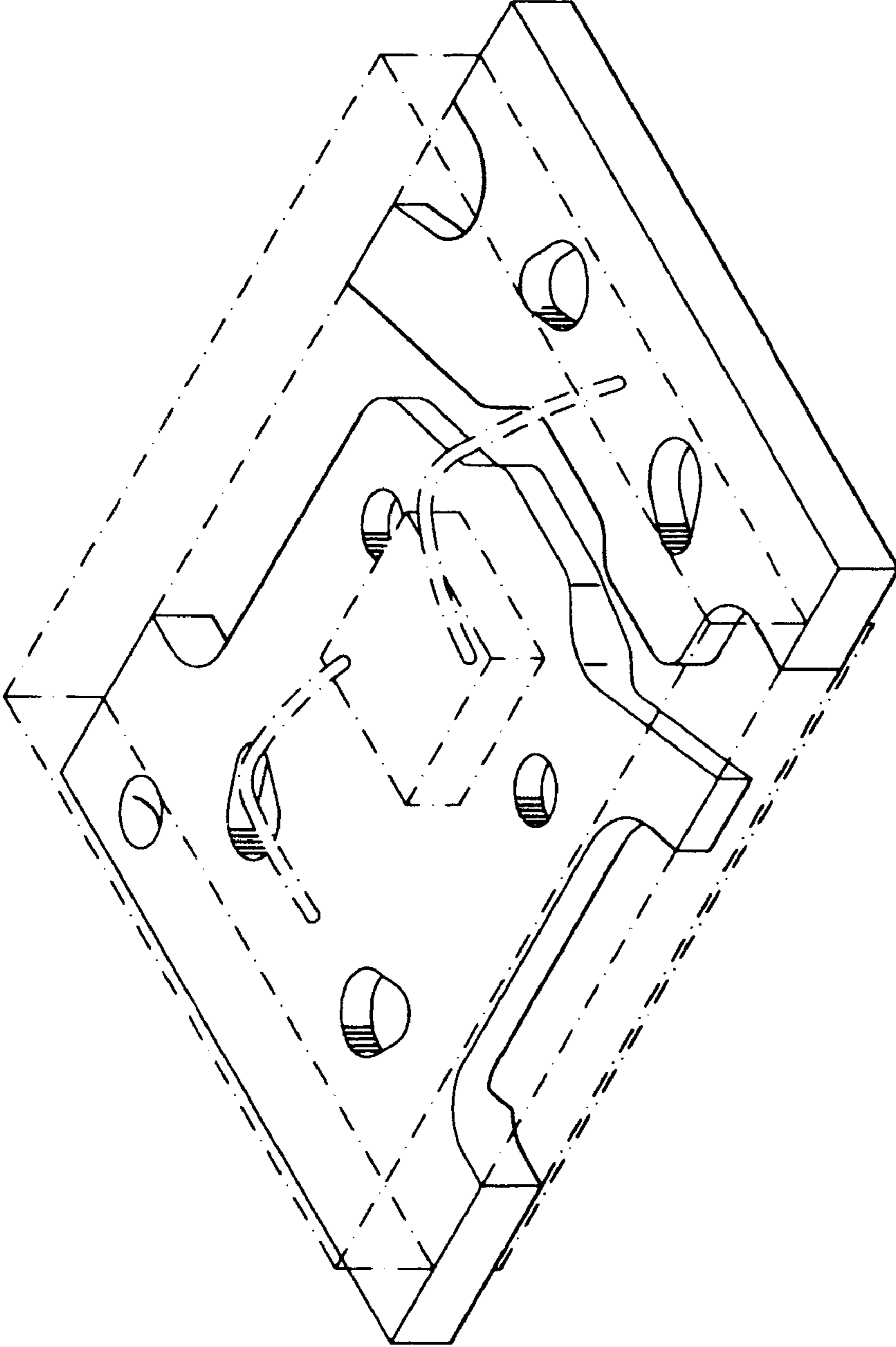


FIG. 9