

US00D509807S

(12) **United States Design Patent** (10) **Patent No.:** **US D509,807 S**  
**Ishida** (45) **Date of Patent:** **\*\* \*Sep. 20, 2005**

(54) **LIGHT EMITTING DIODE**

(75) Inventor: **Masashi Ishida, Naka-gun (JP)**

(73) Assignee: **Nichia Corporation, Anan (JP)**

(\*) Notice: This patent is subject to a terminal disclaimer.

(\*\*) Term: **14 Years**

(21) Appl. No.: **29/183,012**

(22) Filed: **Jun. 5, 2003**

(51) **LOC (8) Cl.** ..... **13-03**

(52) **U.S. Cl.** ..... **D13/180**

(58) **Field of Search** ..... D13/180, 182;  
257/76, 79, 88, 89, 93-99, 434, 676, 678,  
687, 690, 698, 787; 313/498, 799, 500;  
361/760, 820; 362/226, 241, 249, 250,  
307, 555, 800

(56) **References Cited**

**U.S. PATENT DOCUMENTS**

D432,095 S	*	10/2000	Seeger et al.	.....	D13/182
6,495,860 B1	*	12/2002	Yu	.....	257/99
D482,337 S	*	11/2003	Kamada	.....	D13/182
D489,677 S	*	5/2004	Ishida	.....	D13/100
D489,690 S	*	5/2004	Ishida	.....	D13/180
D489,691 S	*	5/2004	Ishida	.....	D13/180
D489,692 S	*	5/2004	Ishida	.....	D13/180
D489,693 S	*	5/2004	Ishida	.....	D13/180
D490,062 S	*	5/2004	Ishida	.....	D13/180
D490,384 S	*	5/2004	Ishida	.....	D13/180
D490,385 S	*	5/2004	Ishida	.....	D13/180
D490,386 S	*	5/2004	Ishida	.....	D13/180
D490,783 S	*	6/2004	Ishida	.....	D13/180

D490,784 S	*	6/2004	Ishida	.....	D13/180
D491,538 S	*	6/2004	Ishida	.....	D13/182
2002/0149314 A1	*	10/2002	Takahashi et al.	.....	313/500

**FOREIGN PATENT DOCUMENTS**

JP	D1170089 S	4/2003
JP	D1170090 S	4/2003
JP	D1171708 S	4/2003

\* cited by examiner

*Primary Examiner*—Stella Reid

*Assistant Examiner*—Selina Sikder

(74) *Attorney, Agent, or Firm*—Smith Patent Office

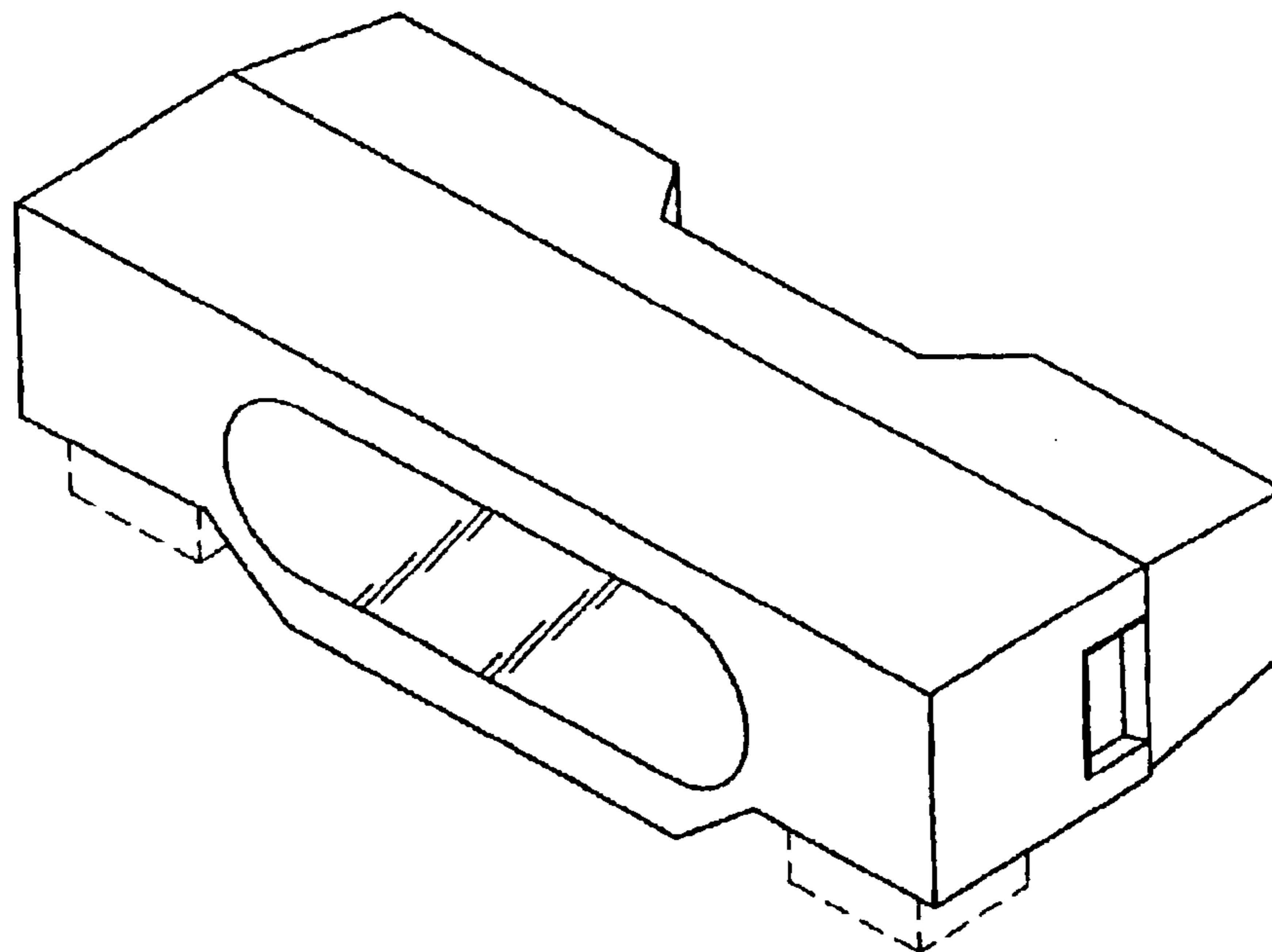
(57) **CLAIM**

I claim the ornamental design for the light emitting diode, as shown and described.

**DESCRIPTION**

FIG. 1 is a perspective view of a light emitting diode showing my new design;  
 FIG. 2 is a plan view of the light emitting diode according to the embodiment of FIG. 1;  
 FIG. 3 is a left view of the light emitting diode according to the embodiment of FIG. 1;  
 FIG. 4 is a front elevational view of the light emitting diode according to the embodiment of FIG. 1;  
 FIG. 5 is a right view of the light emitting diode according to the embodiment of FIG. 1;  
 FIG. 6 is a bottom plan of the light emitting diode according to the embodiment of FIG. 1; and,  
 FIG. 7 is a rear elevational view of the light emitting diode according to the embodiment of FIG. 1.  
 The broken line showing of the environment is for illustrative purpose only and forms no part of the claimed design.

**1 Claim, 2 Drawing Sheets**



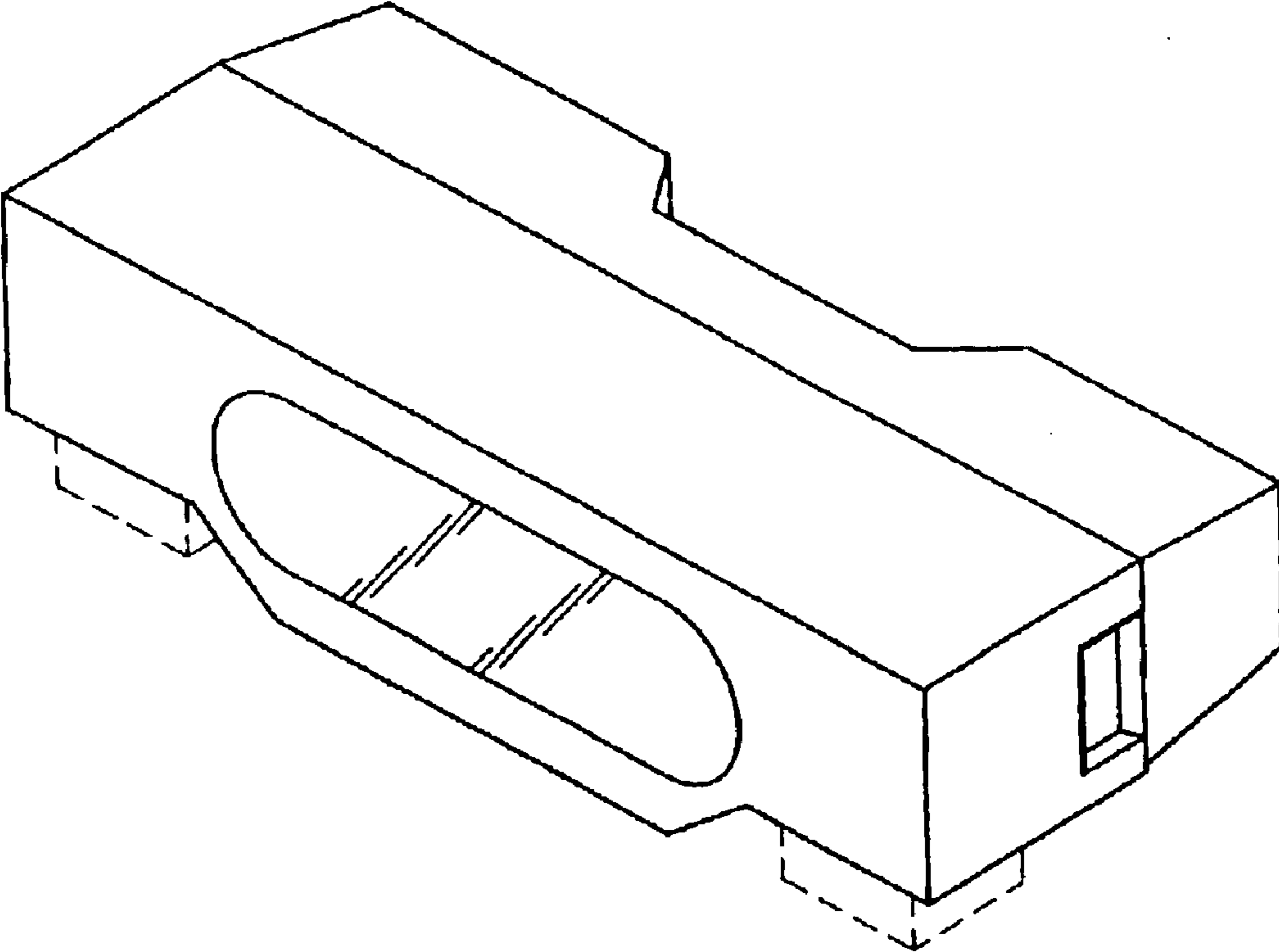


FIG. 1

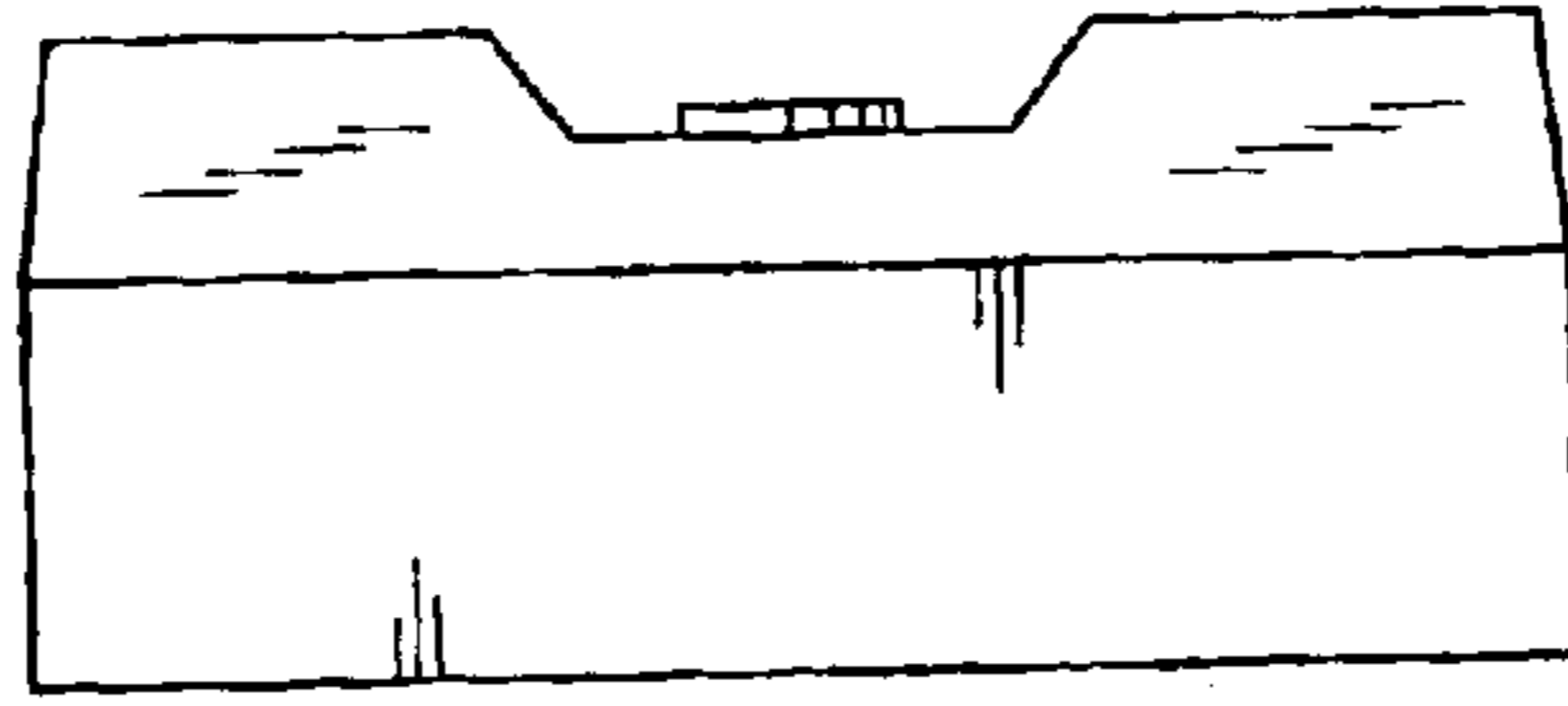


FIG. 2

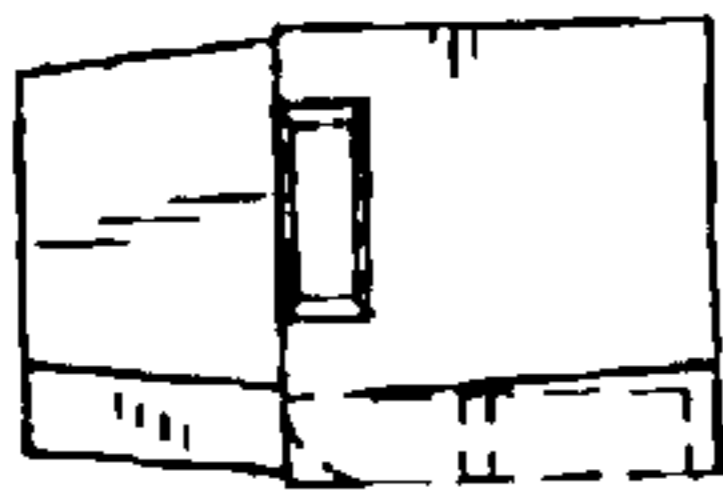


FIG. 3

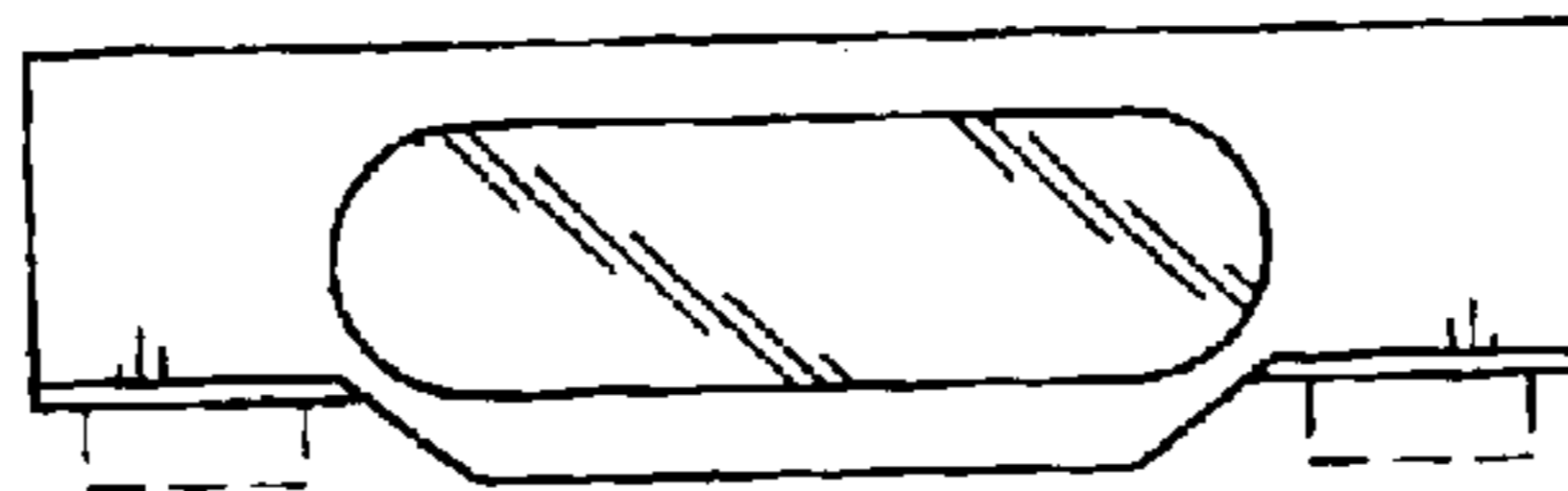


FIG. 4

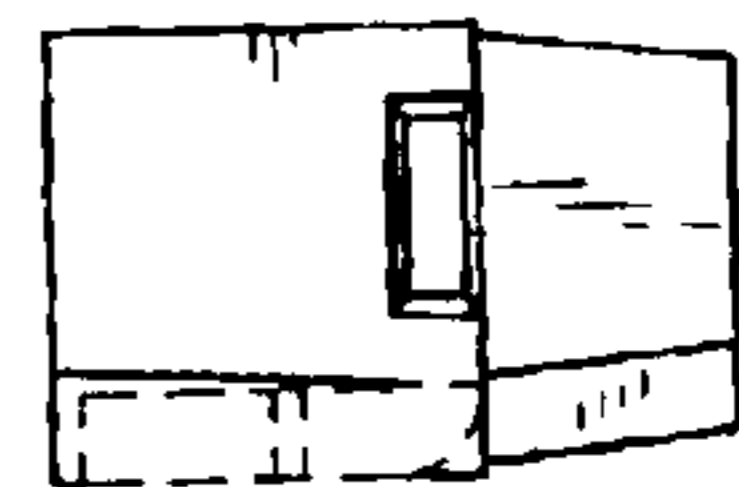


FIG. 5

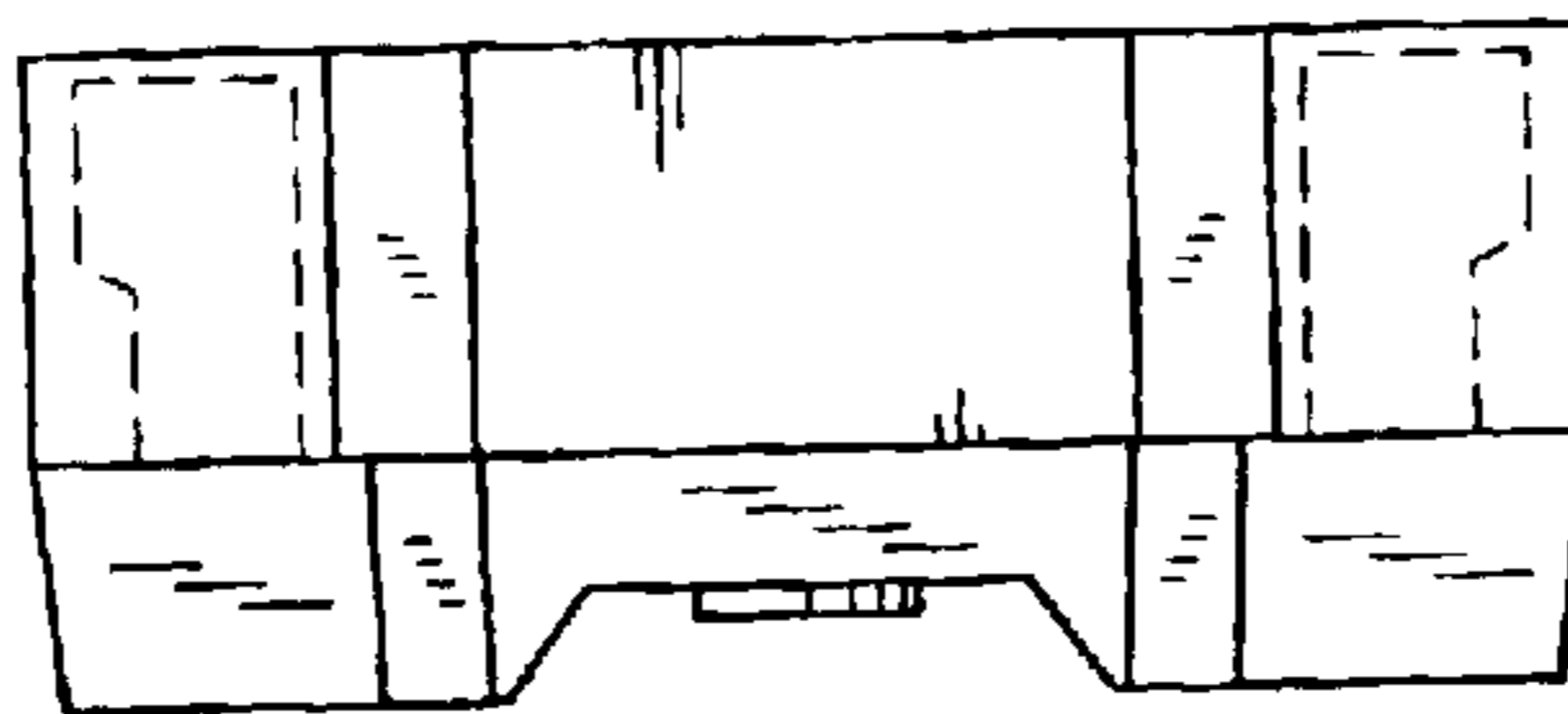


FIG. 6

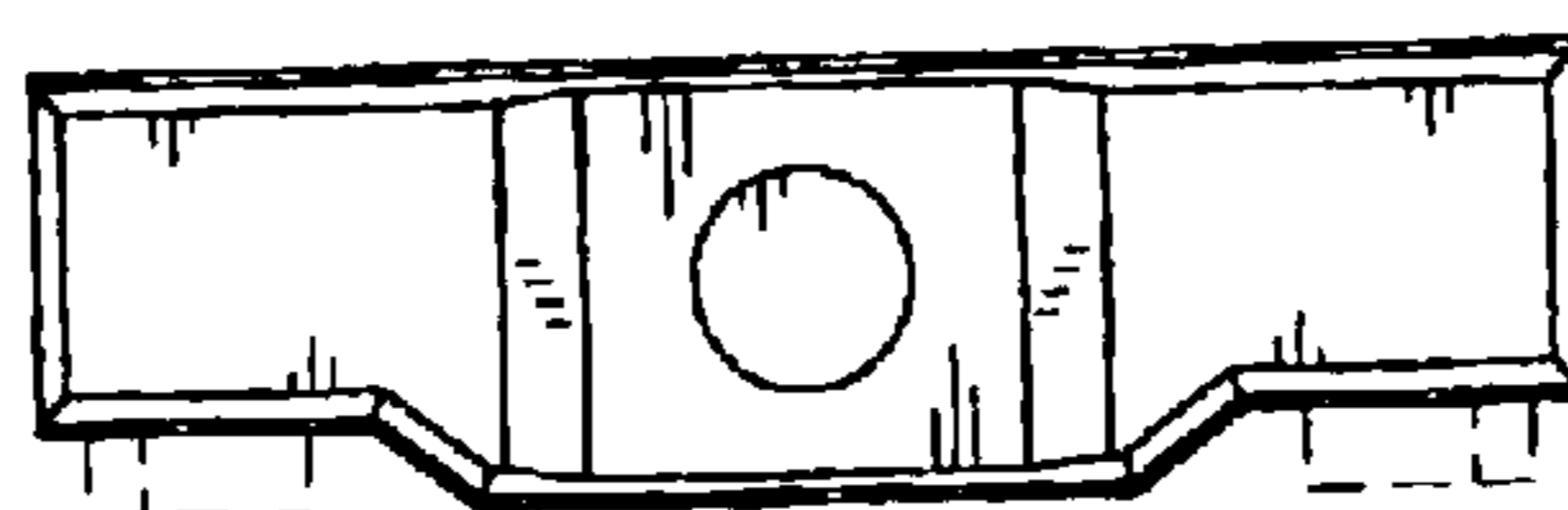


FIG. 7