

US00D509805S

(12) **United States Design Patent**
Spira

(10) **Patent No.: US D509,805 S**

(45) **Date of Patent: ** Sep. 20, 2005**

(54) **CONTROL PANEL**

(75) **Inventor: Joel S. Spira, Coopersburg, PA (US)**

(73) **Assignee: Lutron Electronics Co., Inc.,
Coopersburg, PA (US)**

(**) **Term: 14 Years**

(21) **Appl. No.: 29/214,796**

(22) **Filed: Oct. 8, 2004**

(51) **LOC (8) Cl. 13-03**

(52) **U.S. Cl. D13/164**

(58) **Field of Search** D13/162, 164,
D13/170, 171, 177; D8/350, 353; 174/66,
67; 315/291, 295, 320; 200/5 A, 5 R, 237,
293, 308, 310, 313, 314, 329, 341; 338/184,
226

(56) **References Cited**

U.S. PATENT DOCUMENTS

- 5,495,887 A * 3/1996 Kathnelson et al. 165/11.1
- D421,246 S * 2/2000 Mayo et al. D13/162
- D422,969 S * 4/2000 Mayo et al. D13/164

- D428,855 S * 8/2000 Mayo et al. D13/164
- D436,579 S * 1/2001 Mayo et al. D13/162
- D441,723 S * 5/2001 Mayo et al. D13/162
- 6,713,702 B1 * 3/2004 Lee 200/520
- D490,061 S * 5/2004 Bennett et al. D13/169

* cited by examiner

Primary Examiner—Stella Reid

Assistant Examiner—Selina Sikder

(74) *Attorney, Agent, or Firm*—Drinker Biddle & Reath LLP

(57) **CLAIM**

The ornamental design for a control panel, as shown and described.

DESCRIPTION

FIG. 1 is a perspective view of a control panel showing my new design.

FIG. 2 is a top plan view thereof.

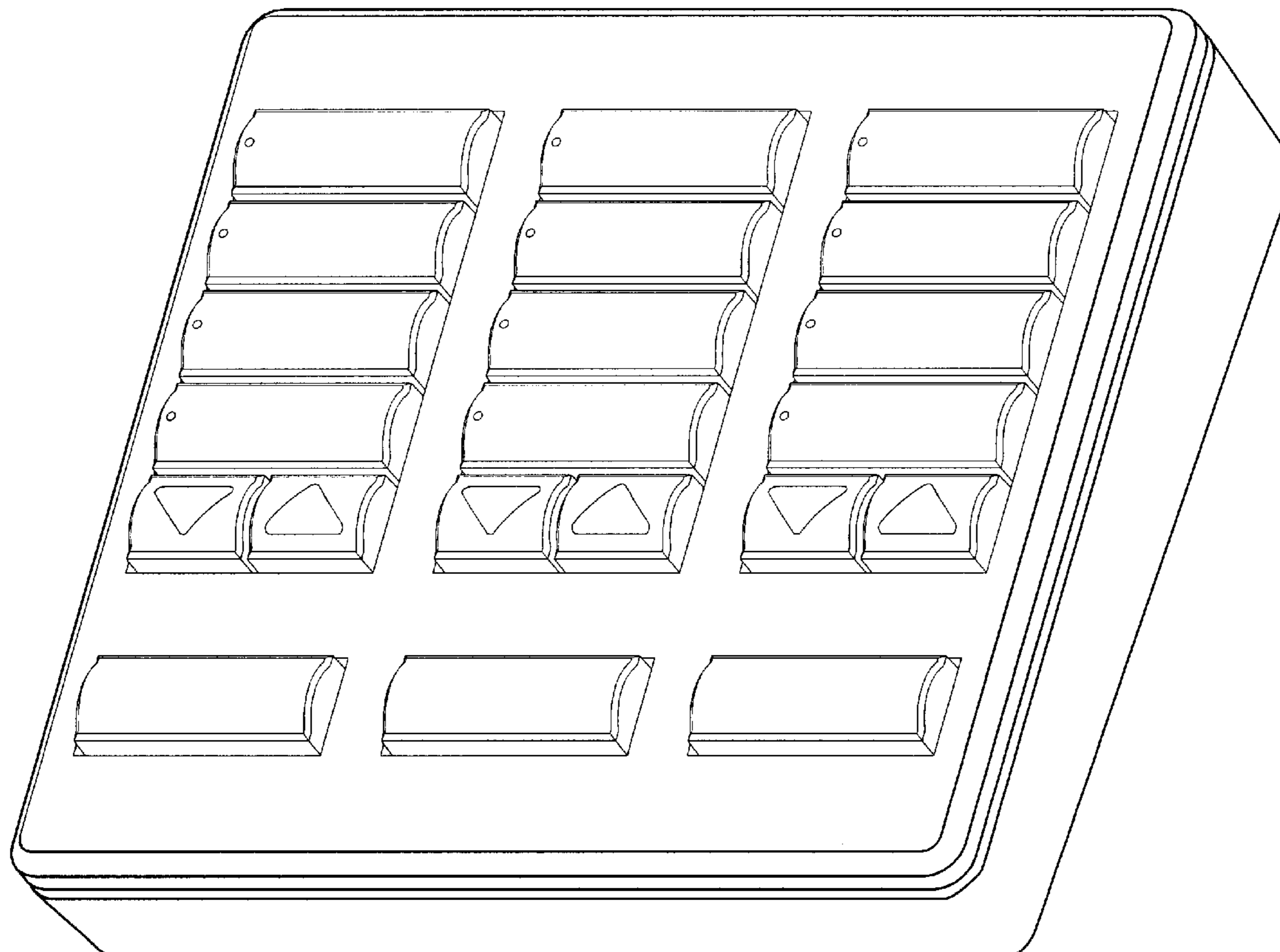
FIG. 3 is a left side view thereof.

FIG. 4 is a right side view thereof.

FIG. 5 is a front view thereof; and,

FIG. 6 is a rear view thereof.

1 Claim, 4 Drawing Sheets



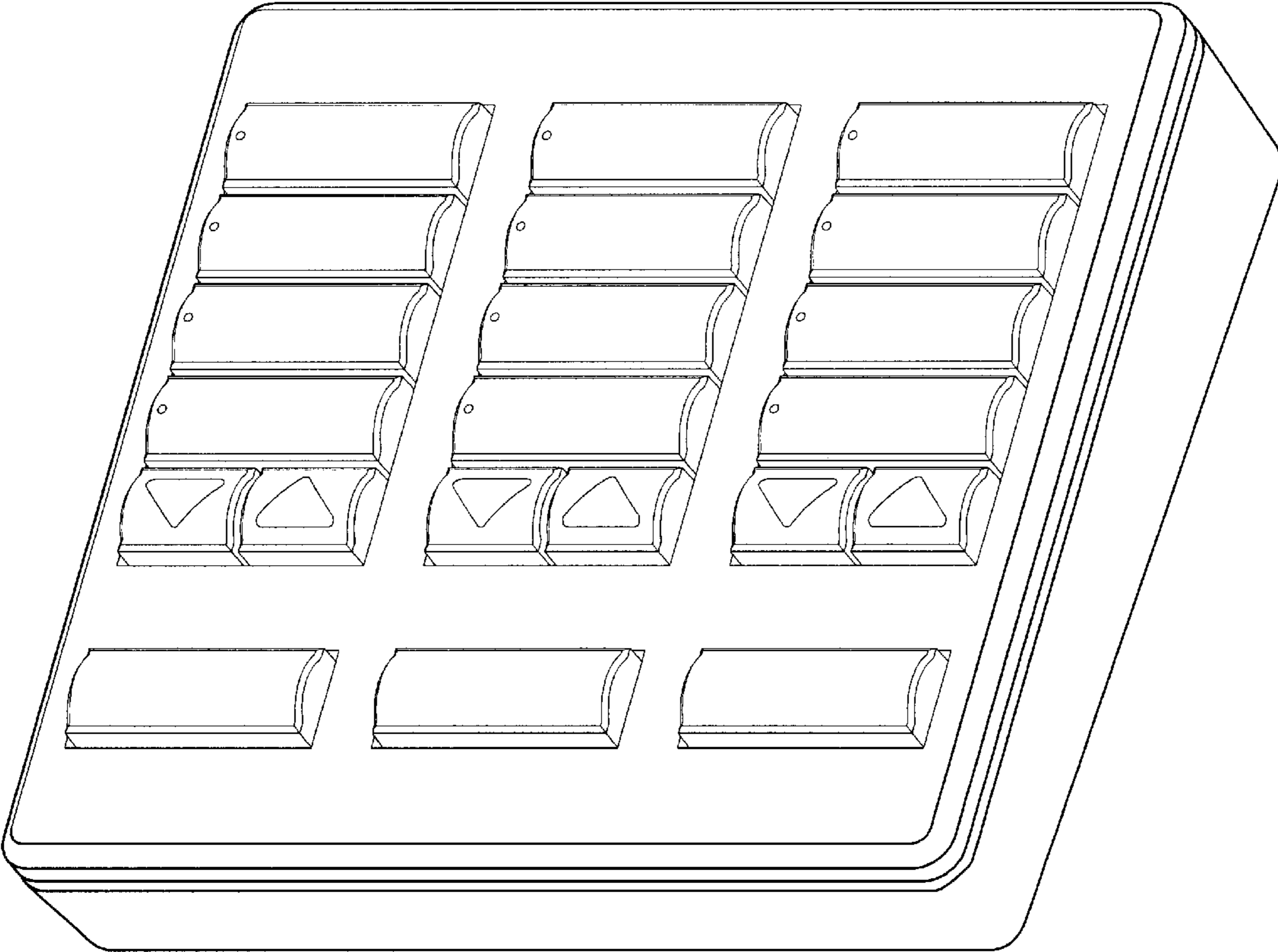


FIG. 1

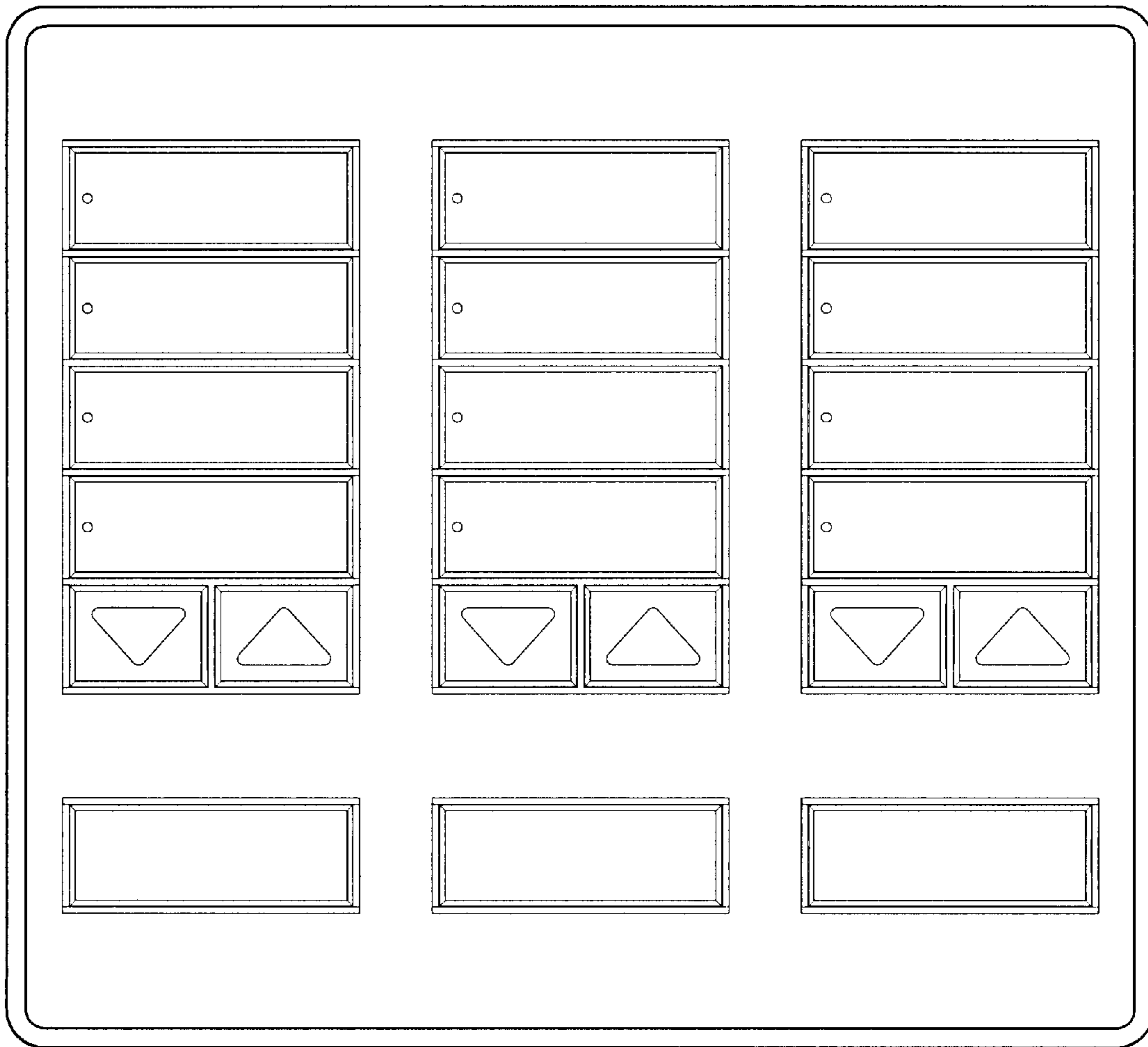


FIG. 2

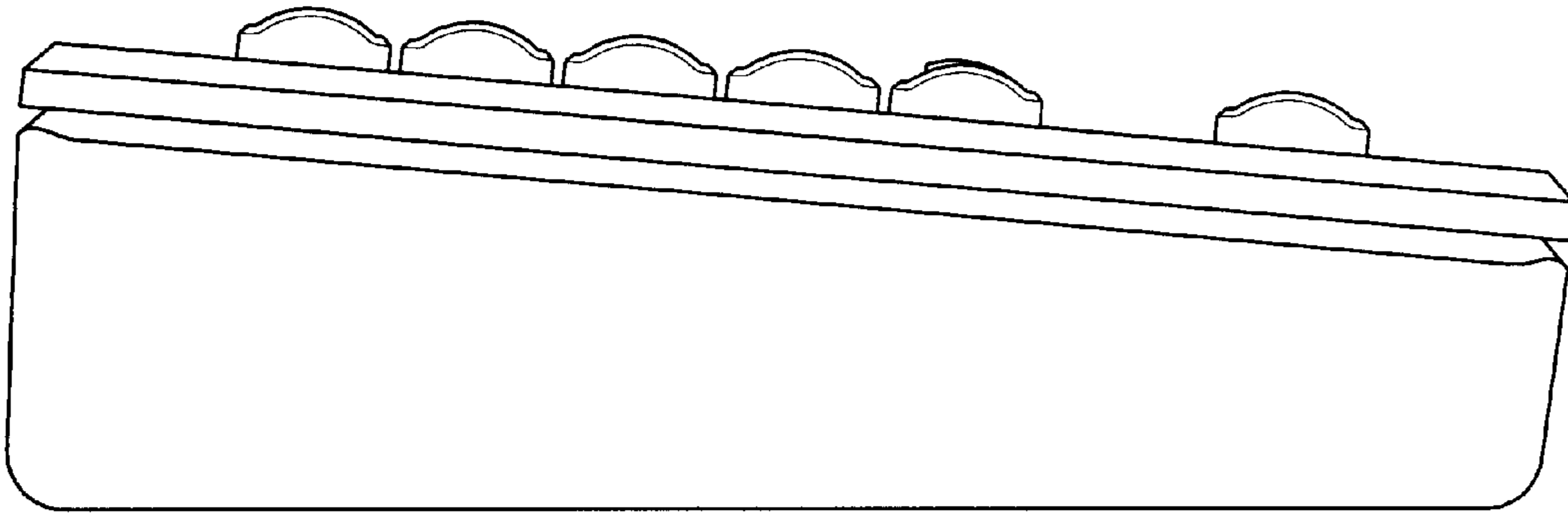


FIG. 3

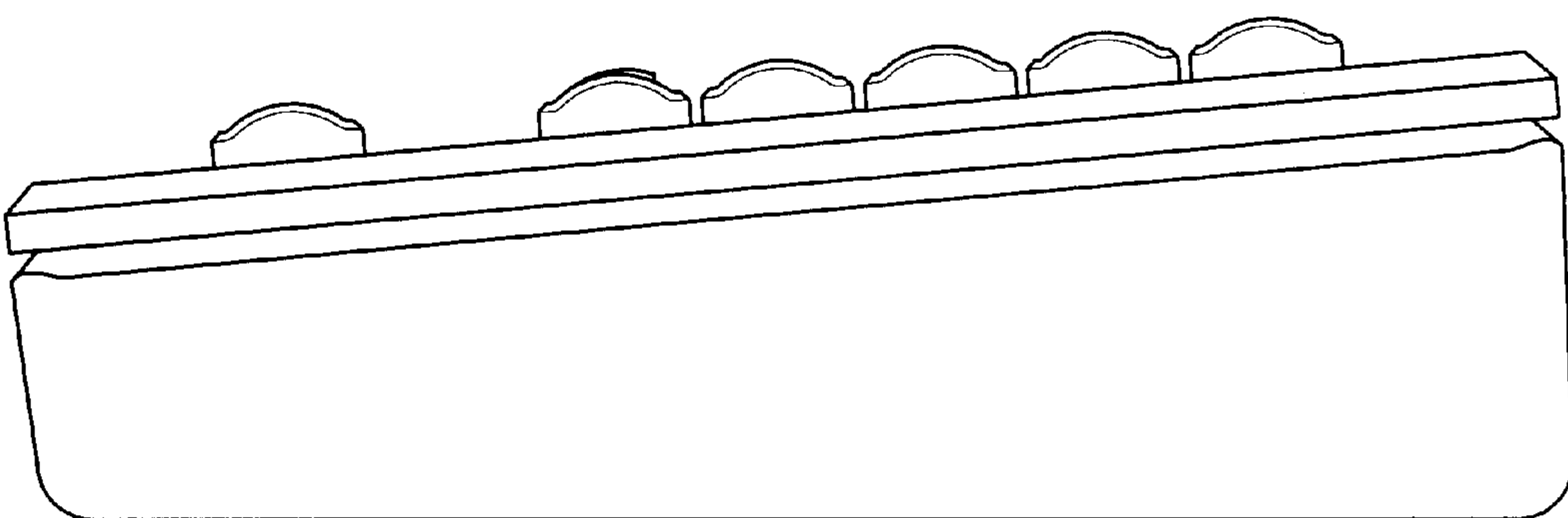


FIG. 4

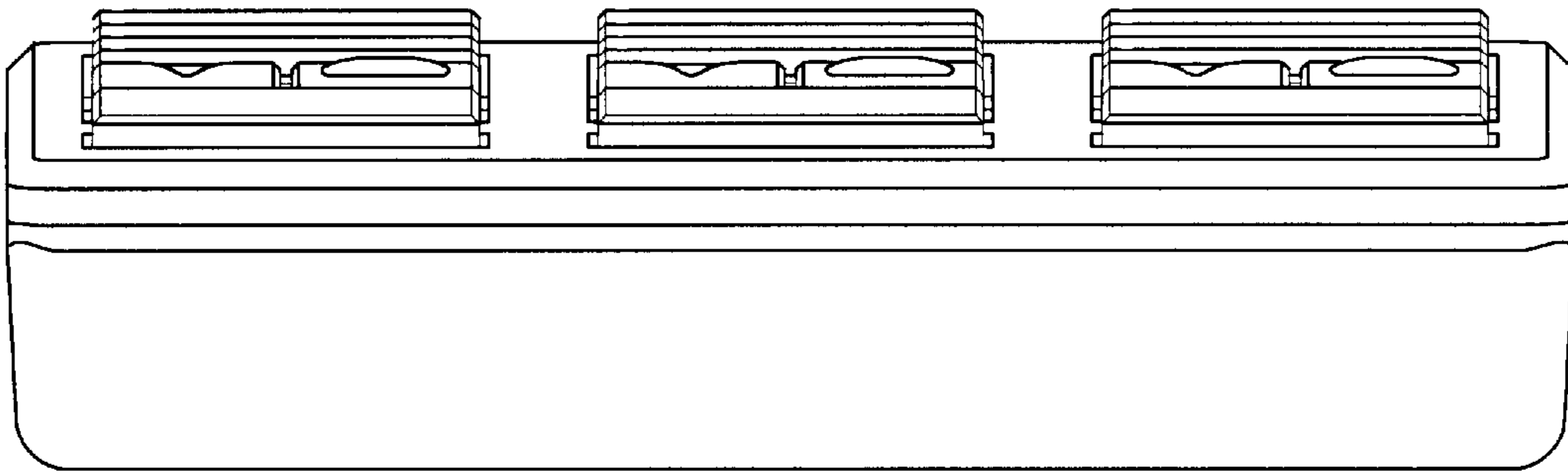


FIG. 5

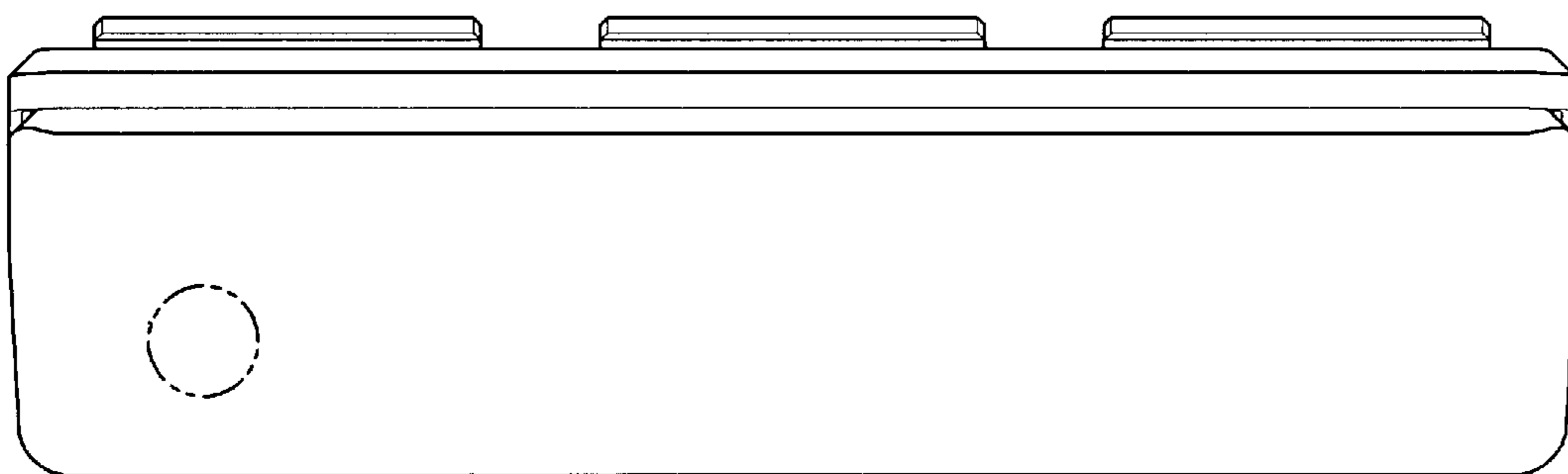


FIG. 6