

US00D509804S

(12) **United States Design Patent**
Butler et al.

(10) **Patent No.: US D509,804 S**
(45) **Date of Patent: ** Sep. 20, 2005**

(54) **WALL-MOUNTABLE CONTROL PANEL**

(75) Inventors: **Nathan J. Butler**, Harleysville, PA (US); **Elliot G. Jacoby**, Glenside, PA (US); **Timothy S. Majewski**, New Tripoli, PA (US); **Noel Mayo**, Philadelphia, PA (US); **Stephen S. Thompson**, London (GB); **Joel S. Spira**, Coopersburg, PA (US)

(73) Assignee: **Lutron Electronics Co., Inc.**, Coopersburg, PA (US)

(**) Term: **14 Years**

(21) Appl. No.: **29/209,921**

(22) Filed: **Jul. 23, 2004**

(51) **LOC (8) Cl.** **13-03**

(52) **U.S. Cl.** **D13/164**

(58) **Field of Search** D13/162, 164, D13/170, 171, 177; D8/350, 353; 174/66, 67; 315/291, 295, 320; 200/5 A, 5 R, 237, 293, 308, 310, 313, 314, 329, 341; 338/184, 226

(56) **References Cited**

U.S. PATENT DOCUMENTS

D287,242 S * 12/1986 Liss et al. D13/177

D313,738 S * 1/1991 Mayo et al. D8/353
5,030,893 A * 7/1991 Spira et al. 315/294
5,463,286 A * 10/1995 D'Aleo et al. 315/295
D453,742 S * 2/2002 Butler et al. D13/164
D490,061 S * 5/2004 Bennett et al. D13/169

* cited by examiner

Primary Examiner—Stella Reid
Assistant Examiner—Selina Sikder

(74) *Attorney, Agent, or Firm*—Drinker Biddle & Reath LLP

(57) **CLAIM**

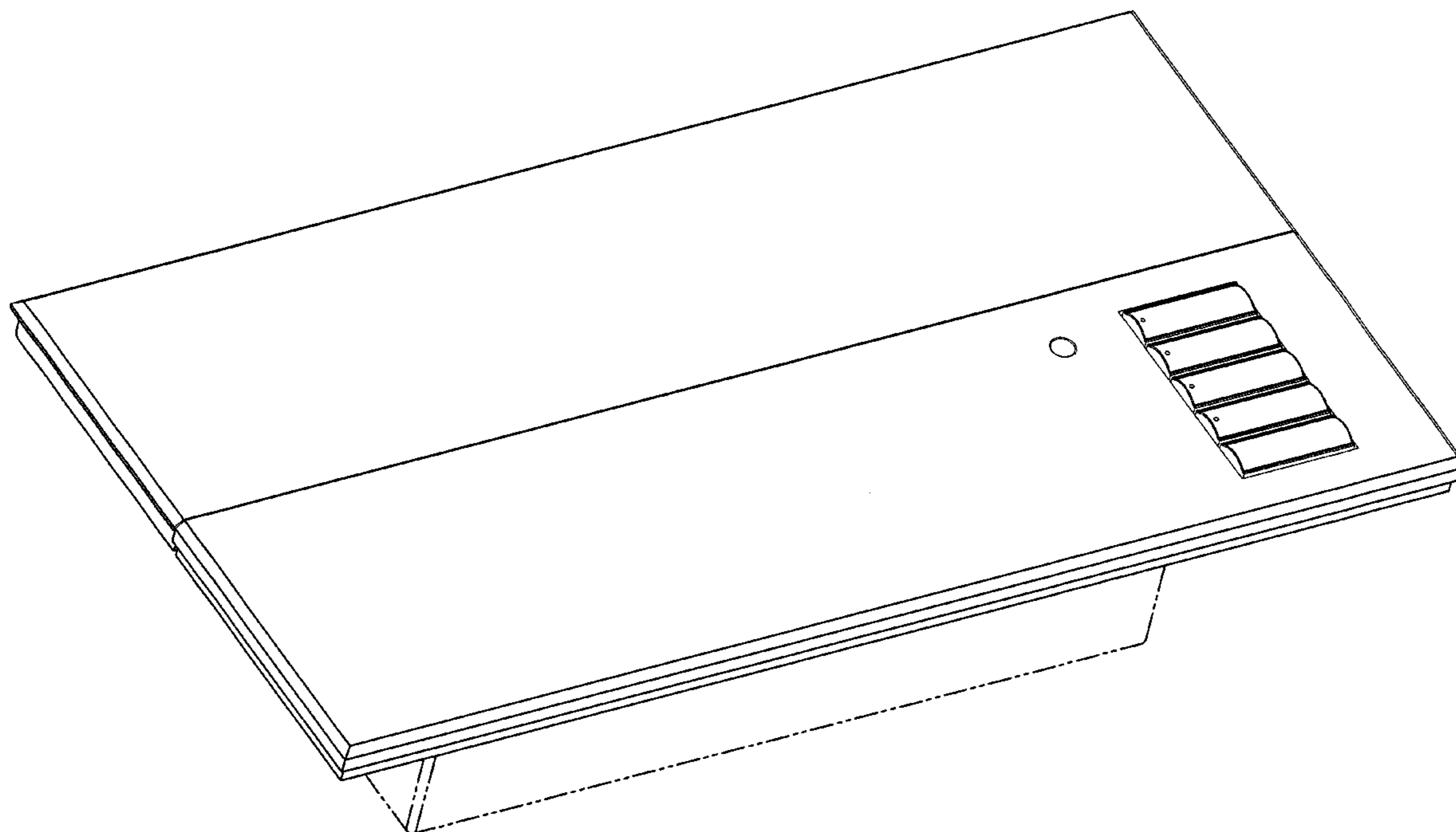
The ornamental design for a wall-mountable control panel, as shown and described.

DESCRIPTION

FIG. 1 is a front perspective view of a wall-mountable control panel showing a first embodiment of our new design. FIG. 2 is a front elevation view thereof. FIG. 3 is a bottom view thereof. FIG. 4 is a top view thereof. FIG. 5 is a left side view thereof; and, FIG. 6 is a right side view thereof.

The portions of the drawings appearing in broken line are for environment only and do not form a part of the design.

1 Claim, 5 Drawing Sheets



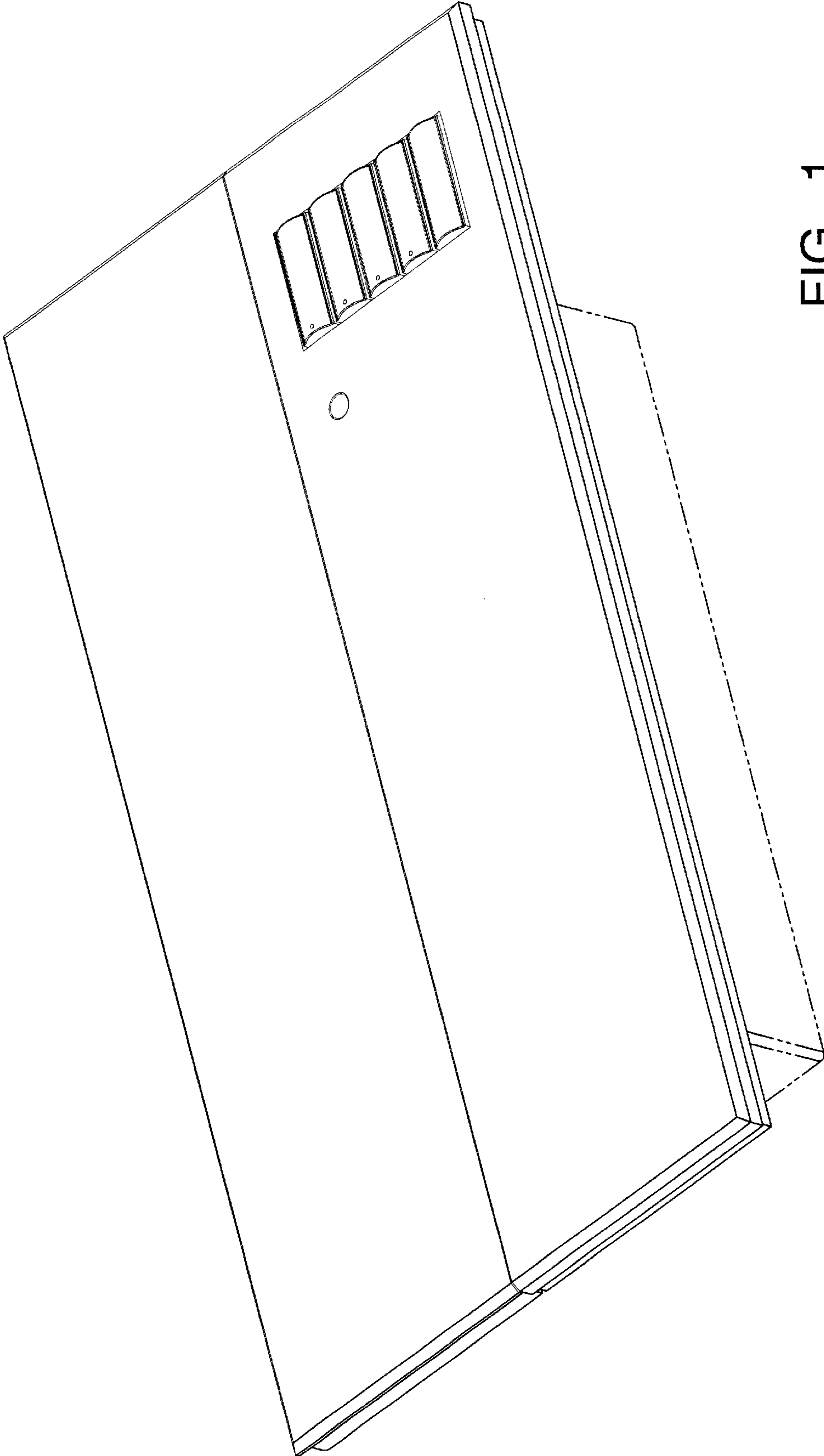


FIG. 1

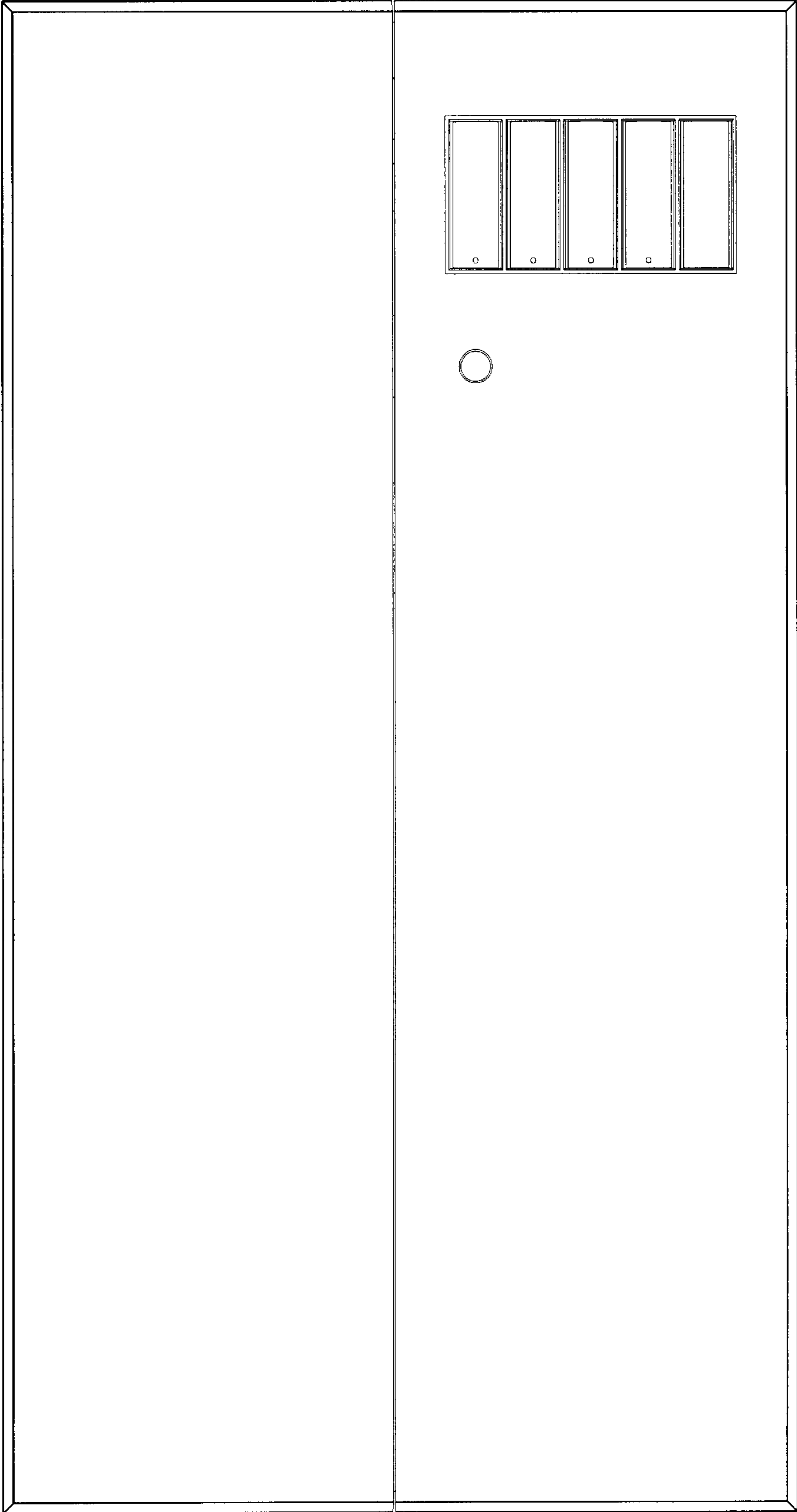


FIG. 2

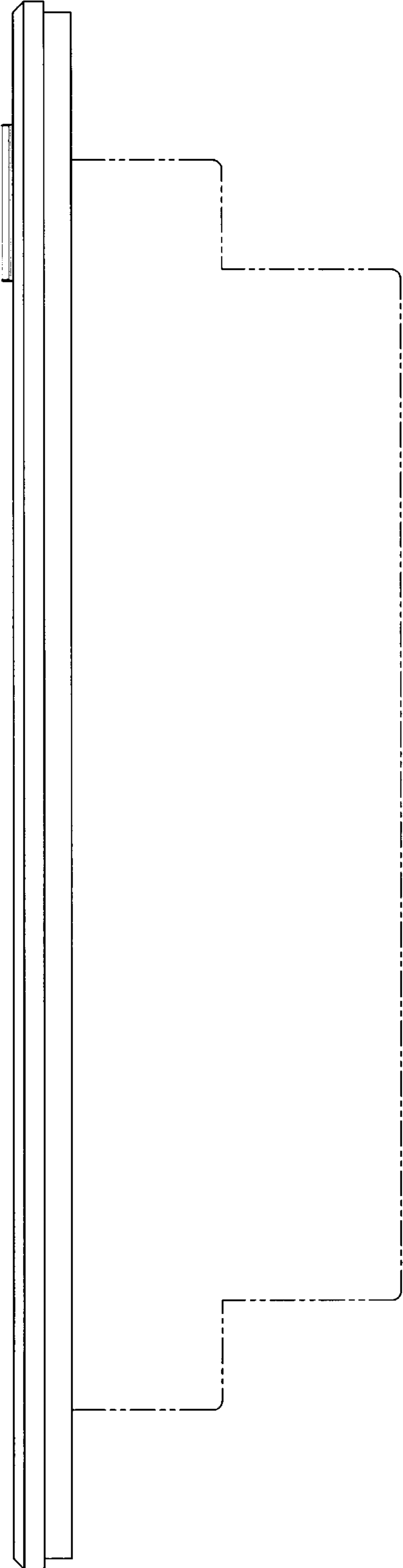


FIG. 3

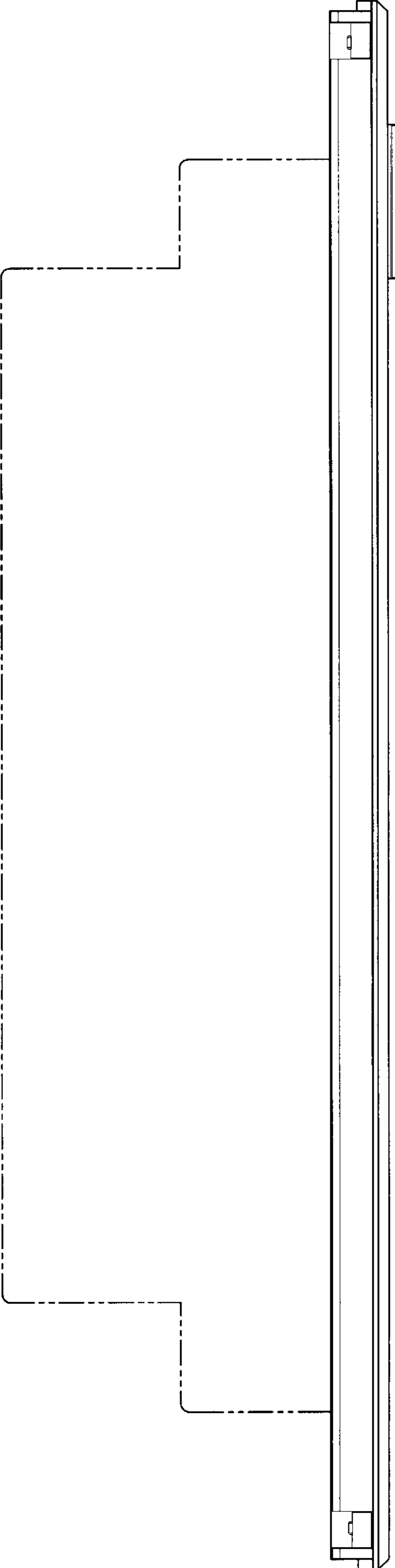


FIG. 4



FIG. 6

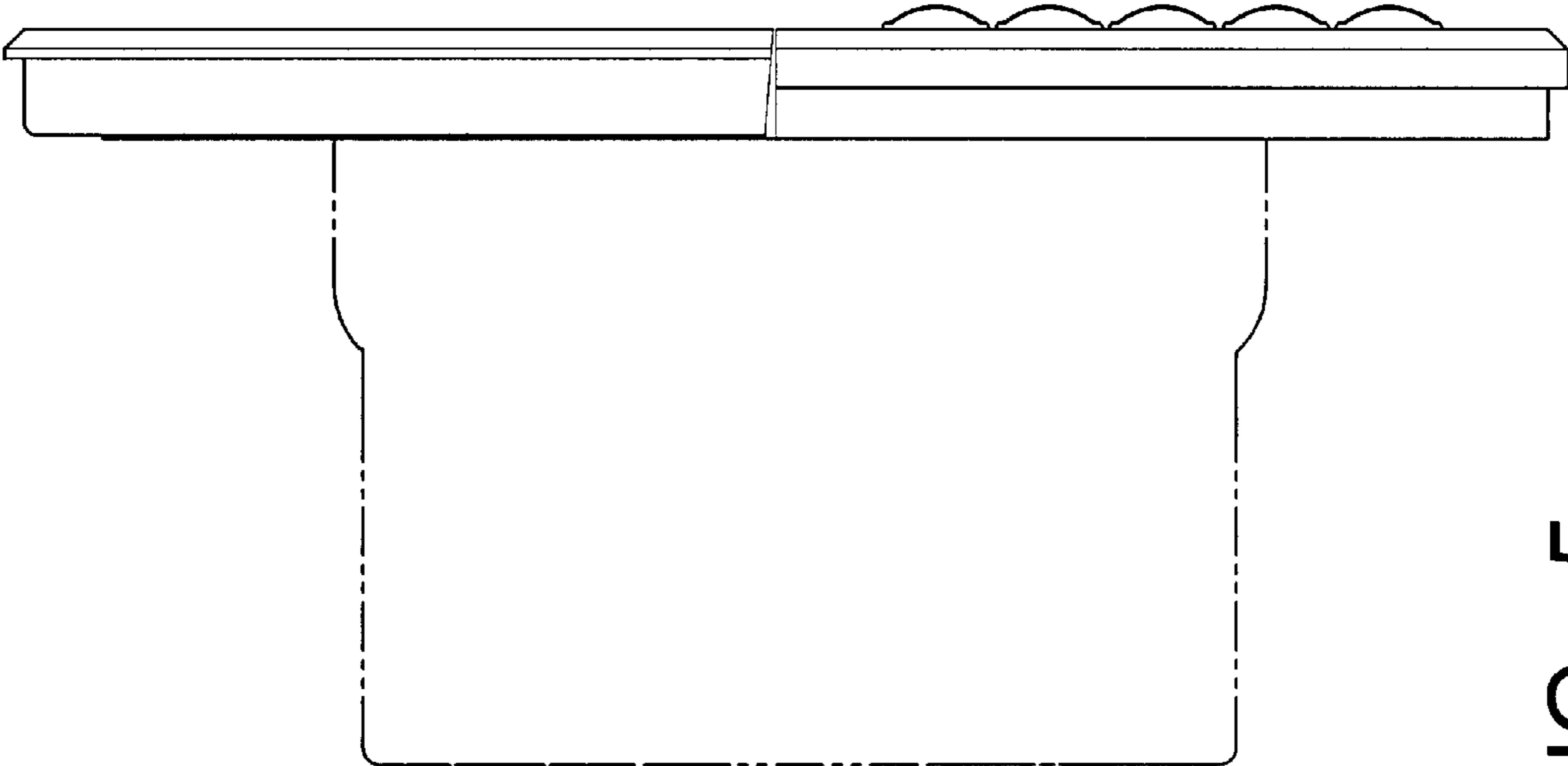


FIG. 5