

US00D509801S

(12) **United States Design Patent**
Sweeney

(10) **Patent No.:** **US D509,801 S**

(45) **Date of Patent:** **** Sep. 20, 2005**

(54) **INTERCONNECT FOR ELECTRICALLY CONNECTING PLURAL ELECTRICALLY CONDUCTIVE NEUTRAL BARS IN FIXED SPACED-APART RELATIONSHIP**

5,901,028 A * 5/1999 Hamard 361/129
6,459,570 B1 * 10/2002 Buchanan 361/648
6,666,729 B2 * 12/2003 Takamura et al. 439/723
2004/0072470 A1 * 4/2004 Lang et al. 439/608

* cited by examiner

(75) Inventor: **Thomas M. Sweeney**, Cincinnati, OH (US)

Primary Examiner—Holly Baynham

Assistant Examiner—Cynthia M. Chin

(73) Assignee: **IlSCO Corporation**, Cincinnati, OH (US)

(74) *Attorney, Agent, or Firm*—Wood, Herron & Evans, L.L.P.

(**) Term: **14 Years**

(57) **CLAIM**

(21) Appl. No.: **29/170,701**

The ornamental design for an interconnect for electrically connecting plural electrically conductive neutral bars in fixed spaced-apart relationship, as shown and described.

(22) Filed: **Nov. 12, 2002**

DESCRIPTION

(51) **LOC (8) Cl.** **13-03**

(52) **U.S. Cl.** **D13/154**

(58) **Field of Search** D13/154; D8/354; 174/6, 51, 40 CC, 135

FIG. 1 is a perspective view of the front, right side, and top of an interconnect for electrically connecting plural electrically conductive neutral bars in fixed spaced-apart relationship incorporating my new design;

FIG. 2 is a front elevational view thereof;

FIG. 3 is a right-side elevational view thereof, with the left-side elevational view being a mirror image thereof;

FIG. 4 is a rear elevational view thereof;

FIG. 5 is a top plan view thereof; and,

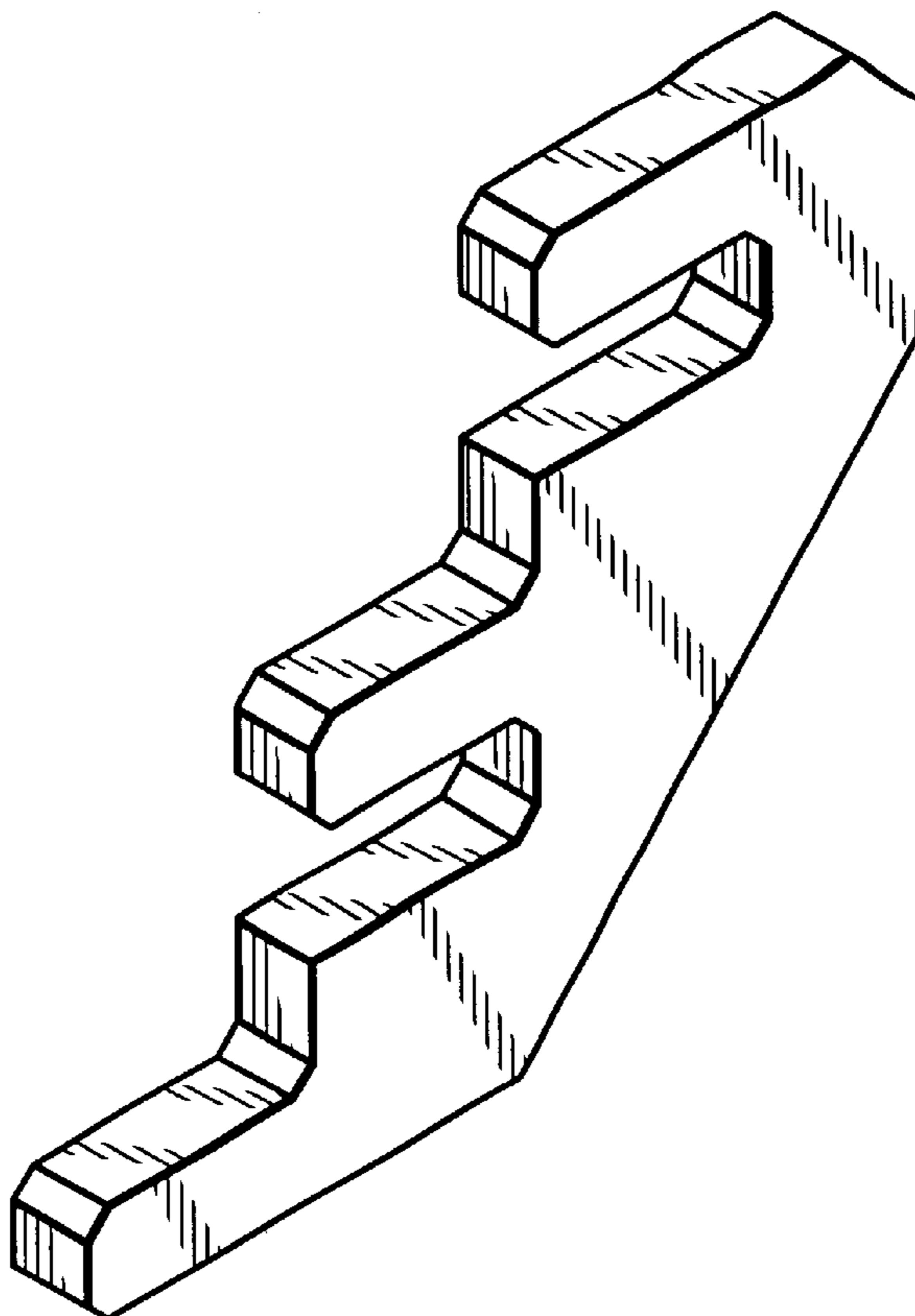
FIG. 6 is a bottom plan view thereof.

(56) **References Cited**

U.S. PATENT DOCUMENTS

2,909,757 A * 10/1959 Speck 439/723
3,757,170 A * 9/1973 Kobryner 361/644
4,231,633 A * 11/1980 Luke et al. 439/723
D291,406 S * 8/1987 McNeese D8/323
D298,213 S * 10/1988 Iati D8/354
D337,510 S * 7/1993 Nasca D8/354

1 Claim, 1 Drawing Sheet



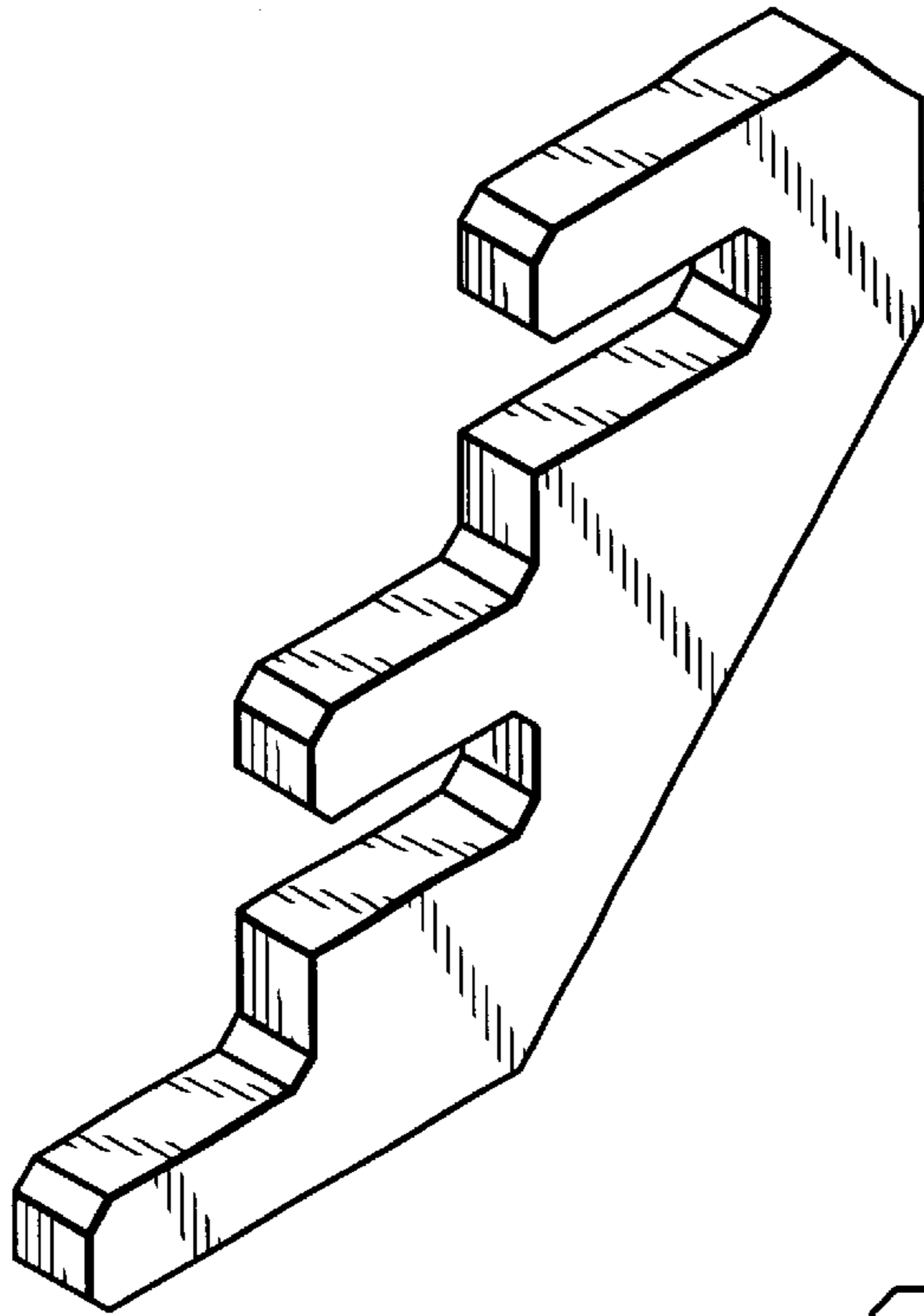


FIG. 1

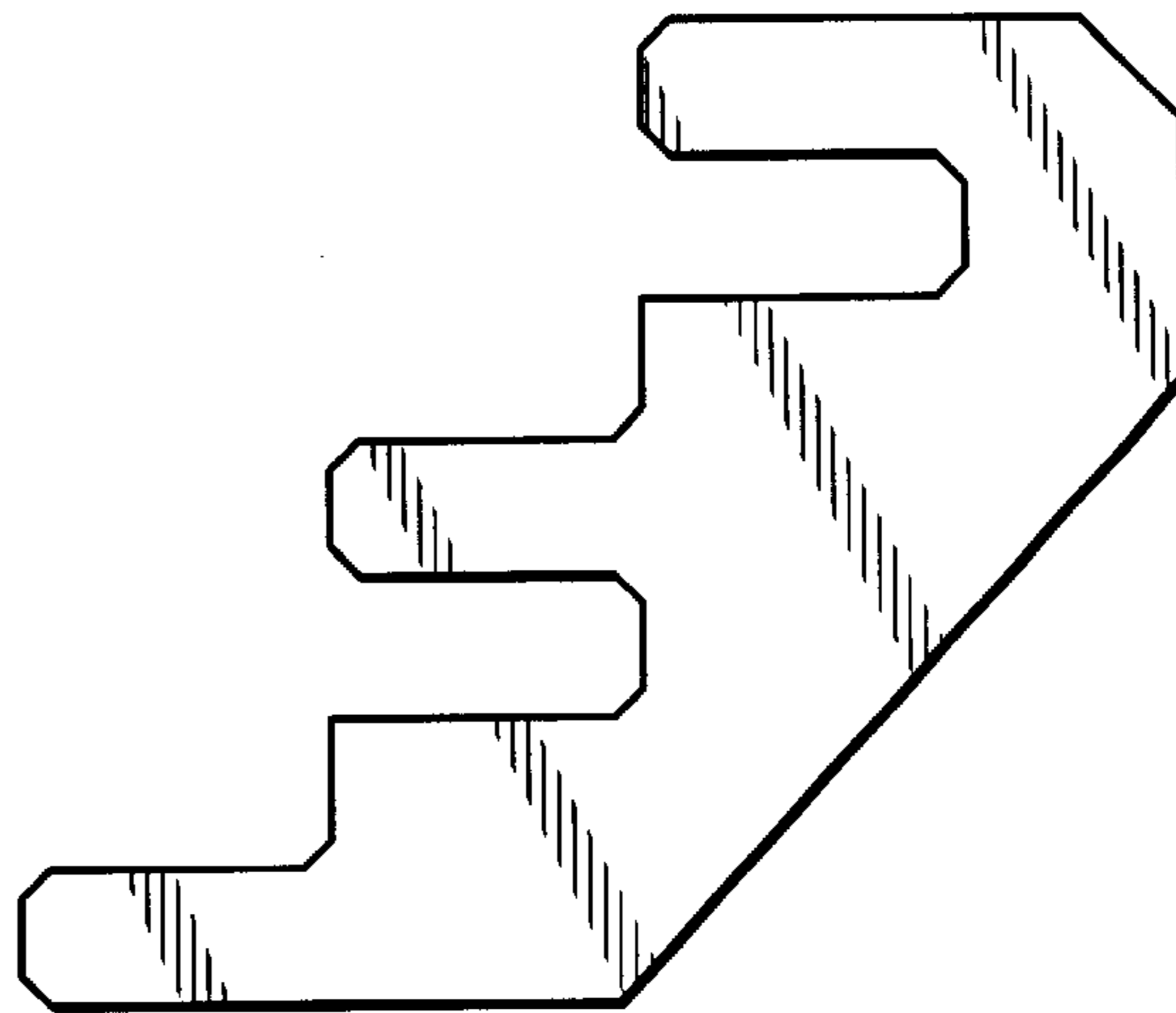


FIG. 3



FIG. 2

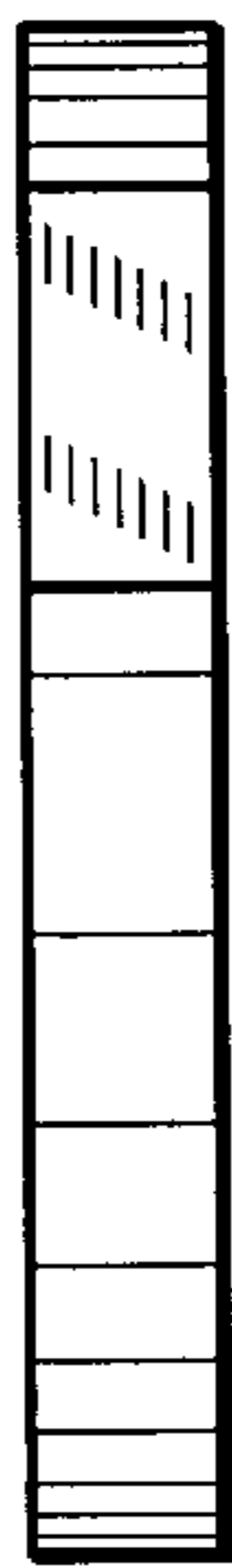


FIG. 4

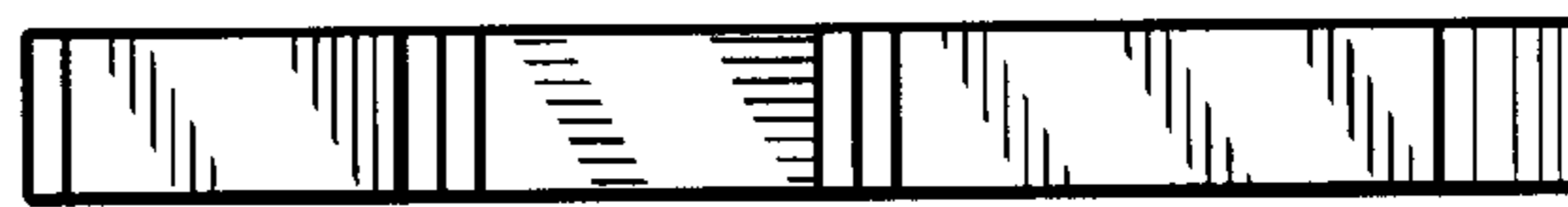


FIG. 5



FIG. 6