



US00D509800S

(12) **United States Design Patent**  
**Hu et al.**

(10) **Patent No.: US D509,800 S**  
(45) **Date of Patent: \*\* Sep. 20, 2005**

(54) **ELECTRICAL CONNECTOR**

(75) Inventors: **Jinkui Hu**, Kunsan (CN); **Guohua Zhang**, Kunsan (CN); **ZiQiang Zhu**, Kunsan (CN)

(73) Assignee: **Hon Hai Precision Ind. Co., Ltd.**, Taipei Hsien (TW)

(\*\*) Term: **14 Years**

(21) Appl. No.: **29/211,940**

(22) Filed: **Aug. 23, 2004**

(30) **Foreign Application Priority Data**

Feb. 24, 2004 (CN) ..... 930000946

(51) **LOC (8) Cl.** ..... **13-03**

(52) **U.S. Cl.** ..... **D13/147**

(58) **Field of Search** ..... D13/123, 133,  
D13/154, 184, 199; 439/76.1, 79, 83, 607-610,  
108

(56) **References Cited**

**U.S. PATENT DOCUMENTS**

5,531,607 A \* 7/1996 Yagi et al. .... 439/246

5,993,258 A \* 11/1999 Matsunuma et al. .... 439/607  
D427,975 S \* 7/2000 Zhu et al. .... D13/147  
D446,772 S \* 8/2001 Chen et al. .... D13/147  
D446,773 S \* 8/2001 Yao et al. .... D13/147  
D447,466 S \* 9/2001 Chen et al. .... D13/147  
6,416,359 B1 \* 7/2002 Zhang et al. .... 439/607  
6,554,648 B2 \* 4/2003 Shi et al. .... 439/607

\* cited by examiner

*Primary Examiner*—Stella Reid  
*Assistant Examiner*—Daniel Bui

(74) *Attorney, Agent, or Firm*—Wei Te Chung

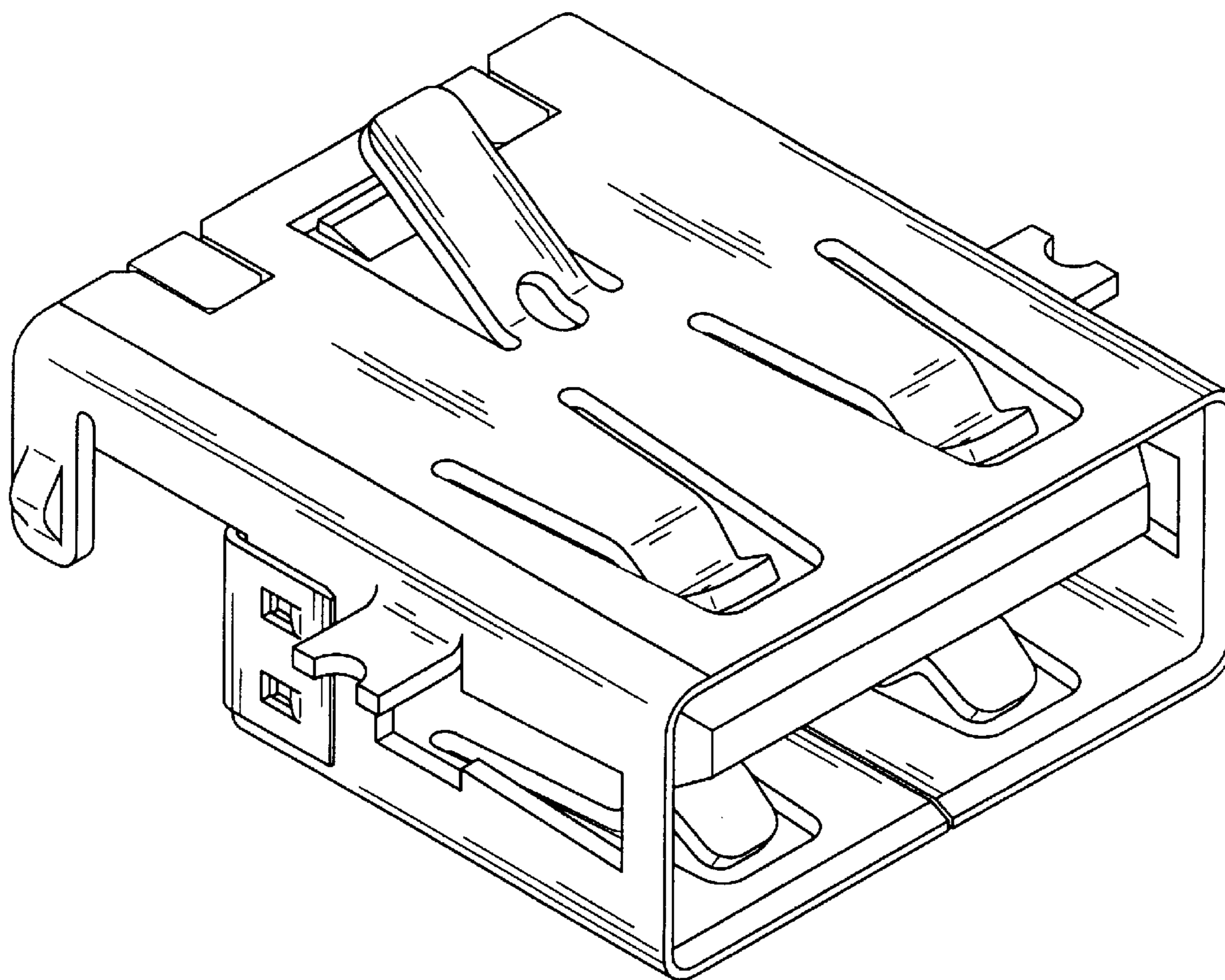
(57) **CLAIM**

The ornamental design for an electrical connector, as shown.

**DESCRIPTION**

FIG. 1 is a front, top and left side perspective view of an electrical connector showing our new design; FIG. 2 is a front elevational view thereof; FIG. 3 is a rear elevational view thereof; FIG. 4 is a left side elevational view thereof; FIG. 5 is a right side elevational view thereof; FIG. 6 is a top plan view thereof; and, FIG. 7 is a bottom plan view thereof.

**1 Claim, 7 Drawing Sheets**



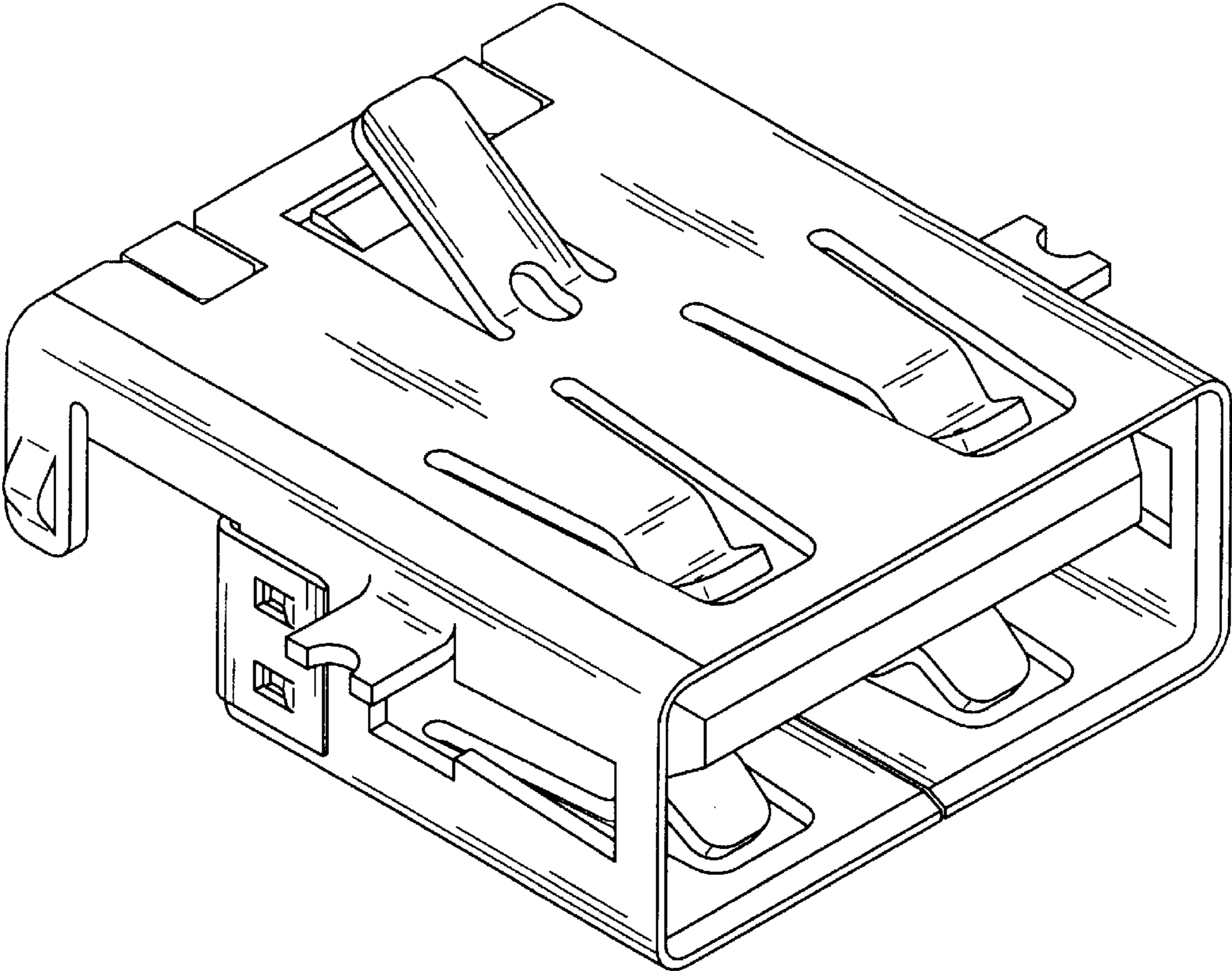


FIG. 1

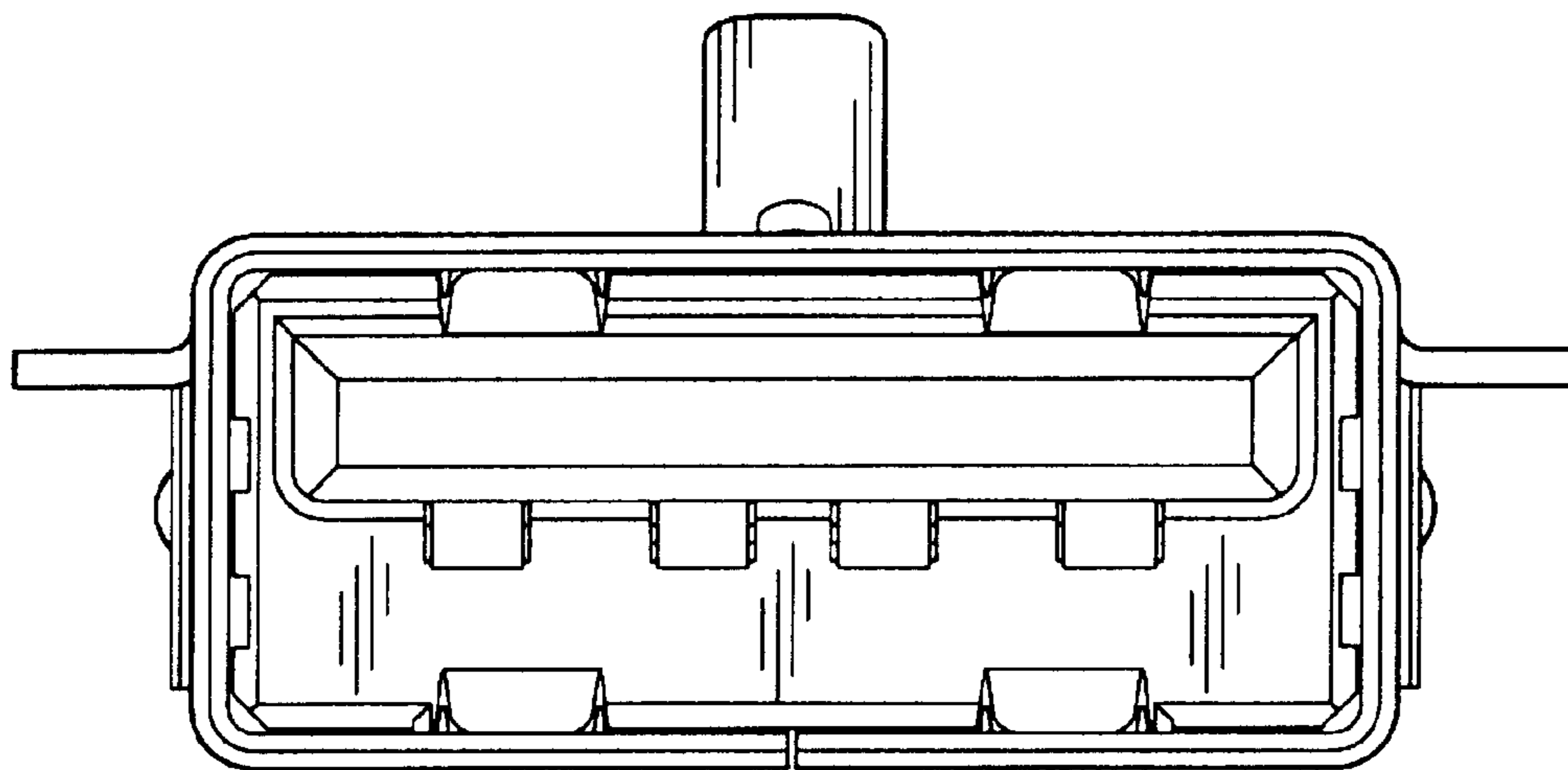


FIG. 2

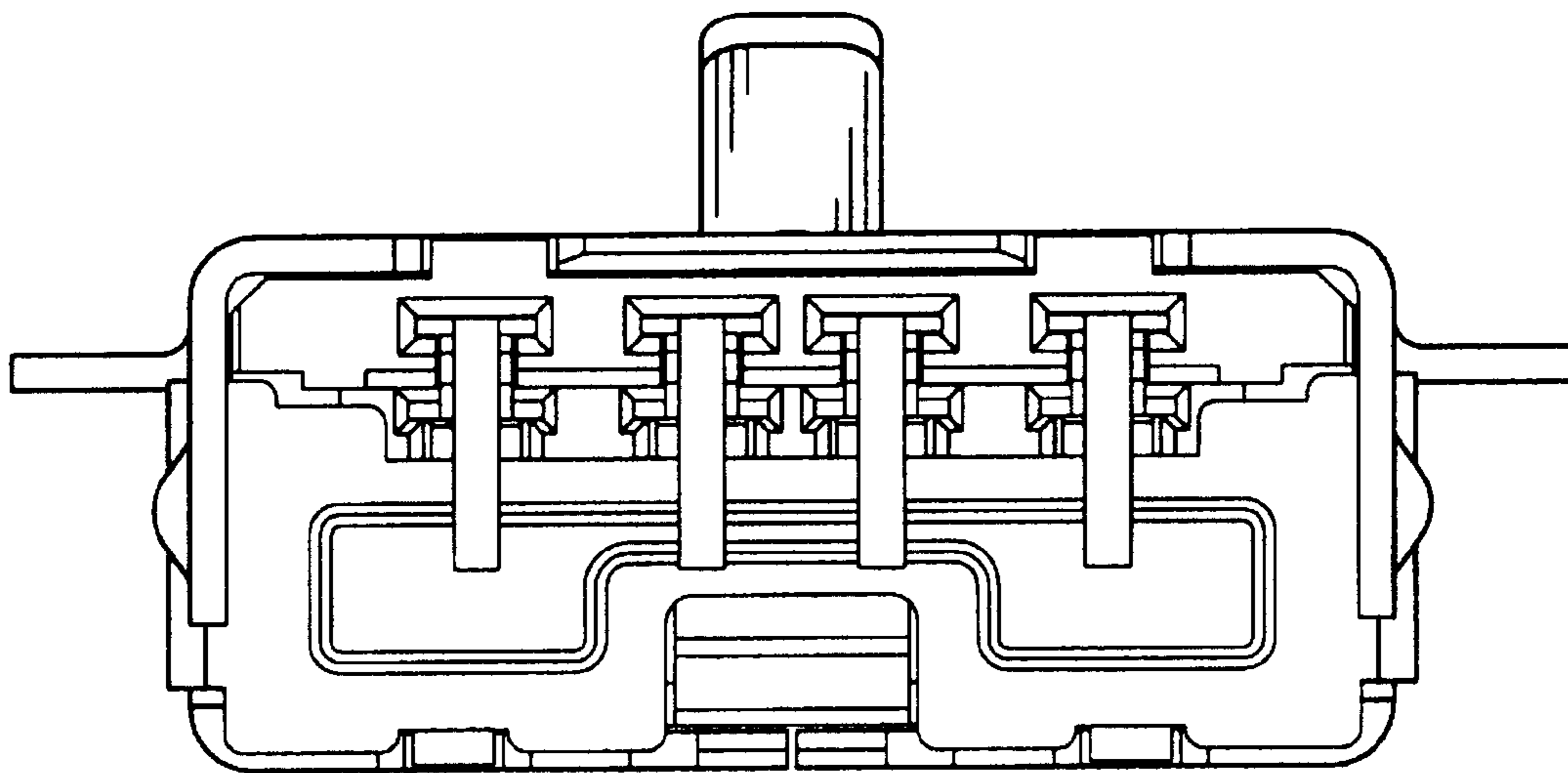


FIG. 3

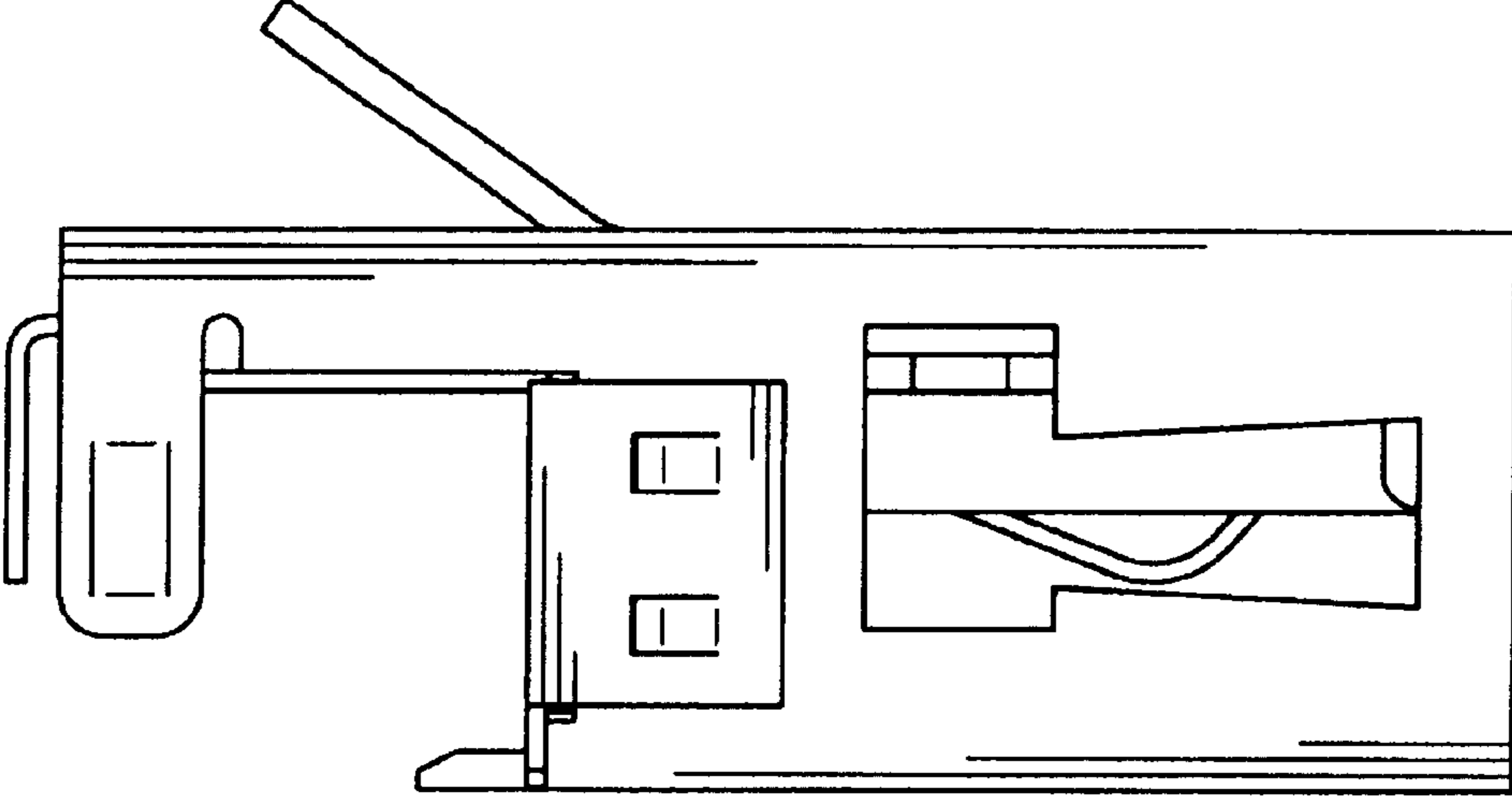


FIG. 4

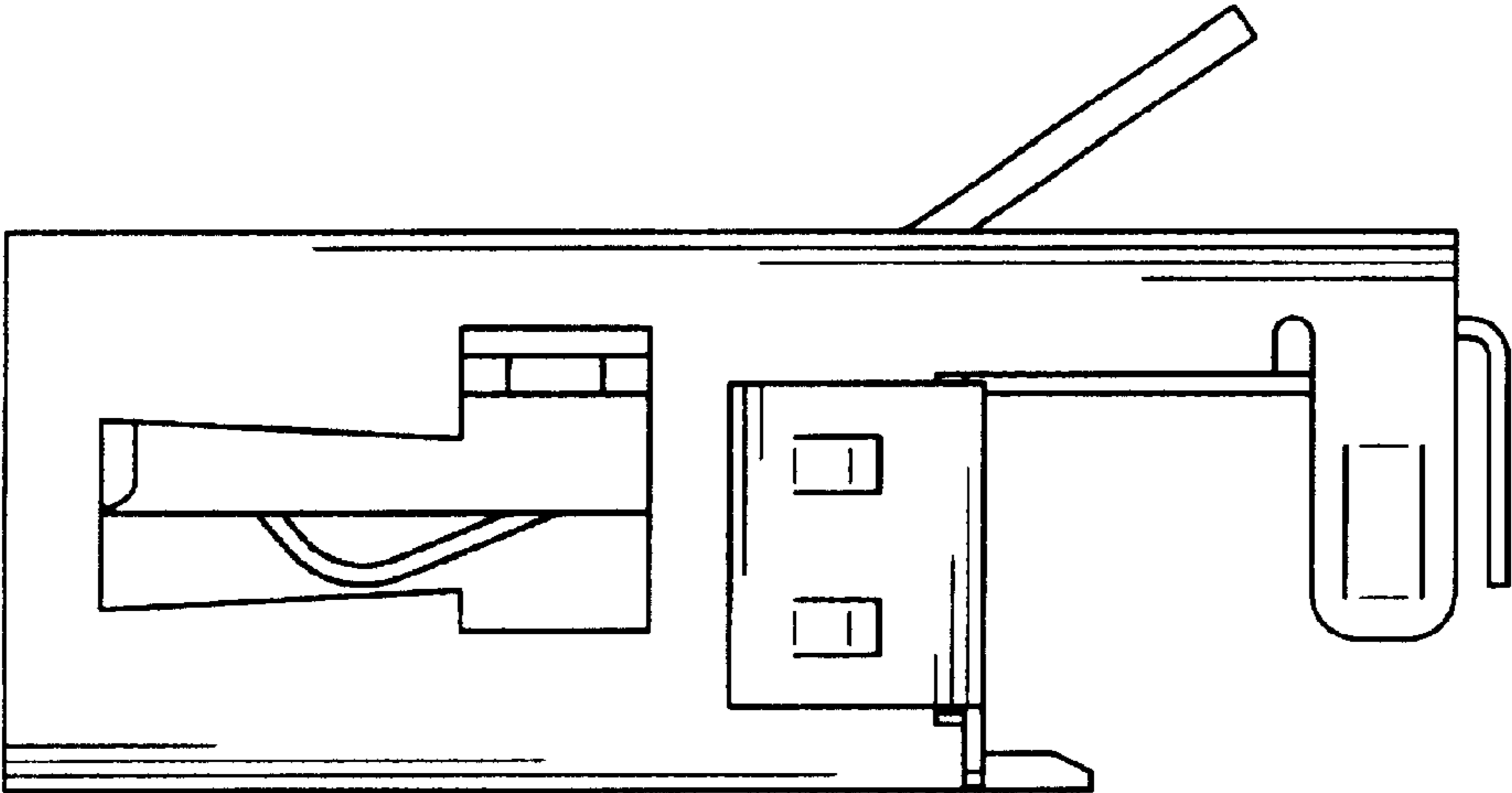


FIG. 5

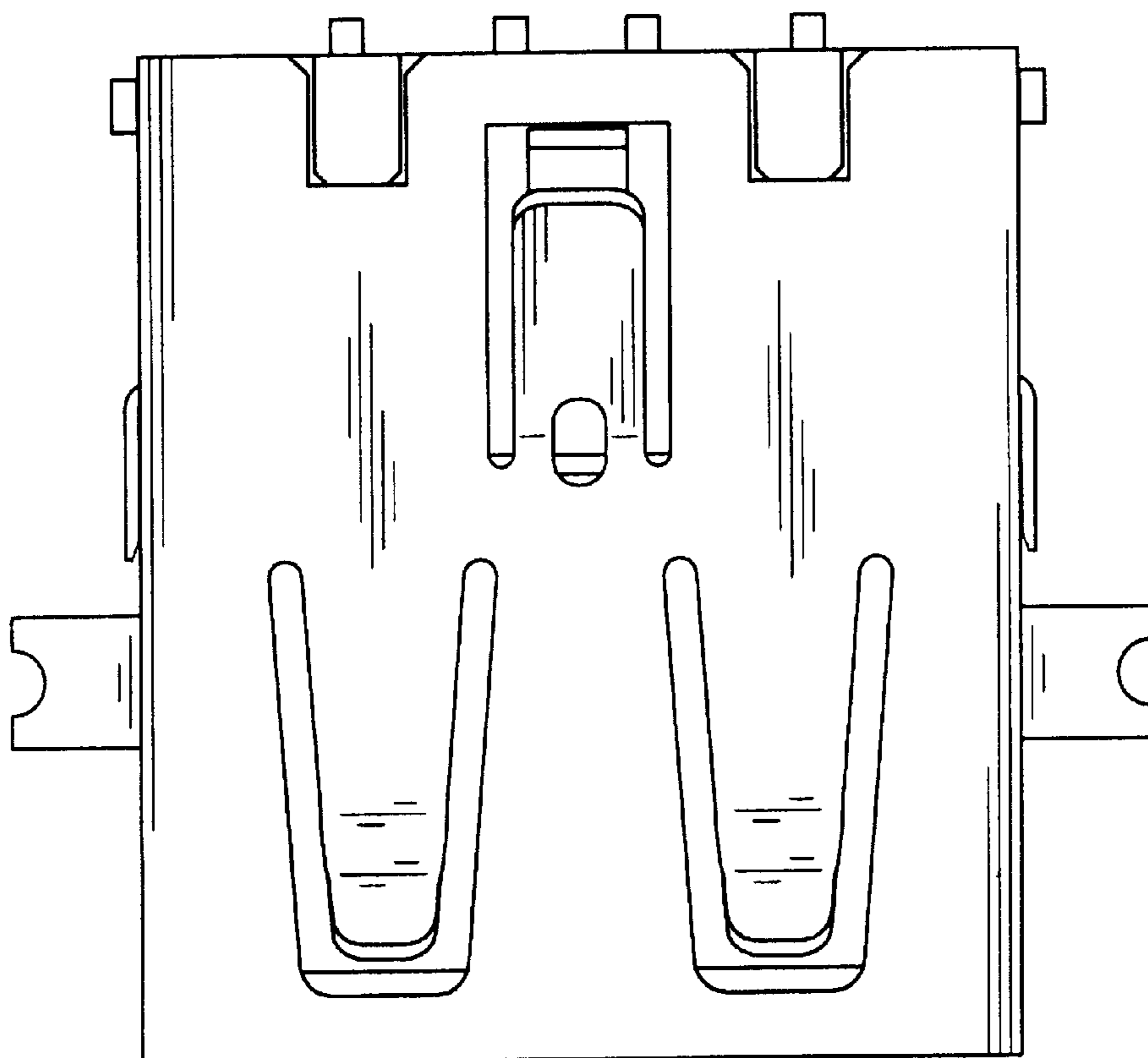


FIG. 6

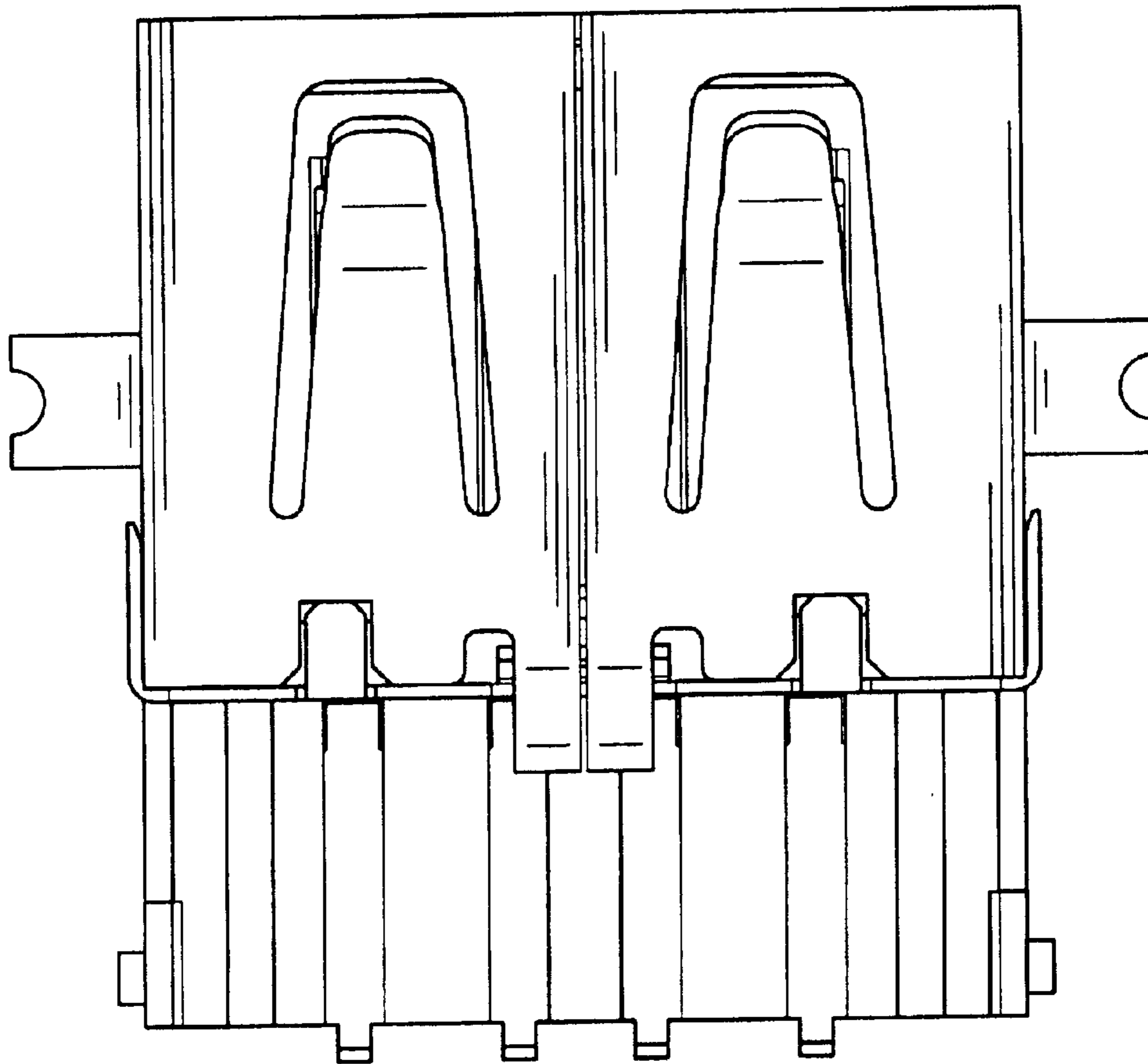


FIG. 7