

US00D509796S

(12) **United States Design Patent**
Tanaka

(10) **Patent No.: US D509,796 S**

(45) **Date of Patent: ** *Sep. 20, 2005**

(54) **ELECTRICAL CONNECTOR**

6,629,859 B2 10/2003 Hoshino et al.
D488,132 S 4/2004 Tanaka

(75) Inventor: **Yukitaka Tanaka**, Tokyo (JP)

FOREIGN PATENT DOCUMENTS

(73) Assignee: **Japan Aviation Electronics Industry, Limited**, Tokyo (JP)

JP	7192813	7/1995
JP	2002231391	8/2002
JP	3495007	11/2003
KR	332379	8/2003

(*) Notice: This patent is subject to a terminal disclaimer.

* cited by examiner

(**) Term: **14 Years**

Primary Examiner—Alan P. Douglas
Assistant Examiner—Susan M. Lee
(74) *Attorney, Agent, or Firm*—Baker Botts L.L.P.

(21) Appl. No.: **29/197,928**

(22) Filed: **Jan. 23, 2004**

(57) **CLAIM**

(30) **Foreign Application Priority Data**

The ornamental design for an electrical connector, as shown and described.

Jul. 24, 2003 (JP) 2003-024877

(51) **LOC (8) Cl.** **13-03**

DESCRIPTION

(52) **U.S. Cl.** **D13/120**

(58) **Field of Search** D30/146-47, 120,
D30/133; 439/352, 359, 362, 610, 607,
609

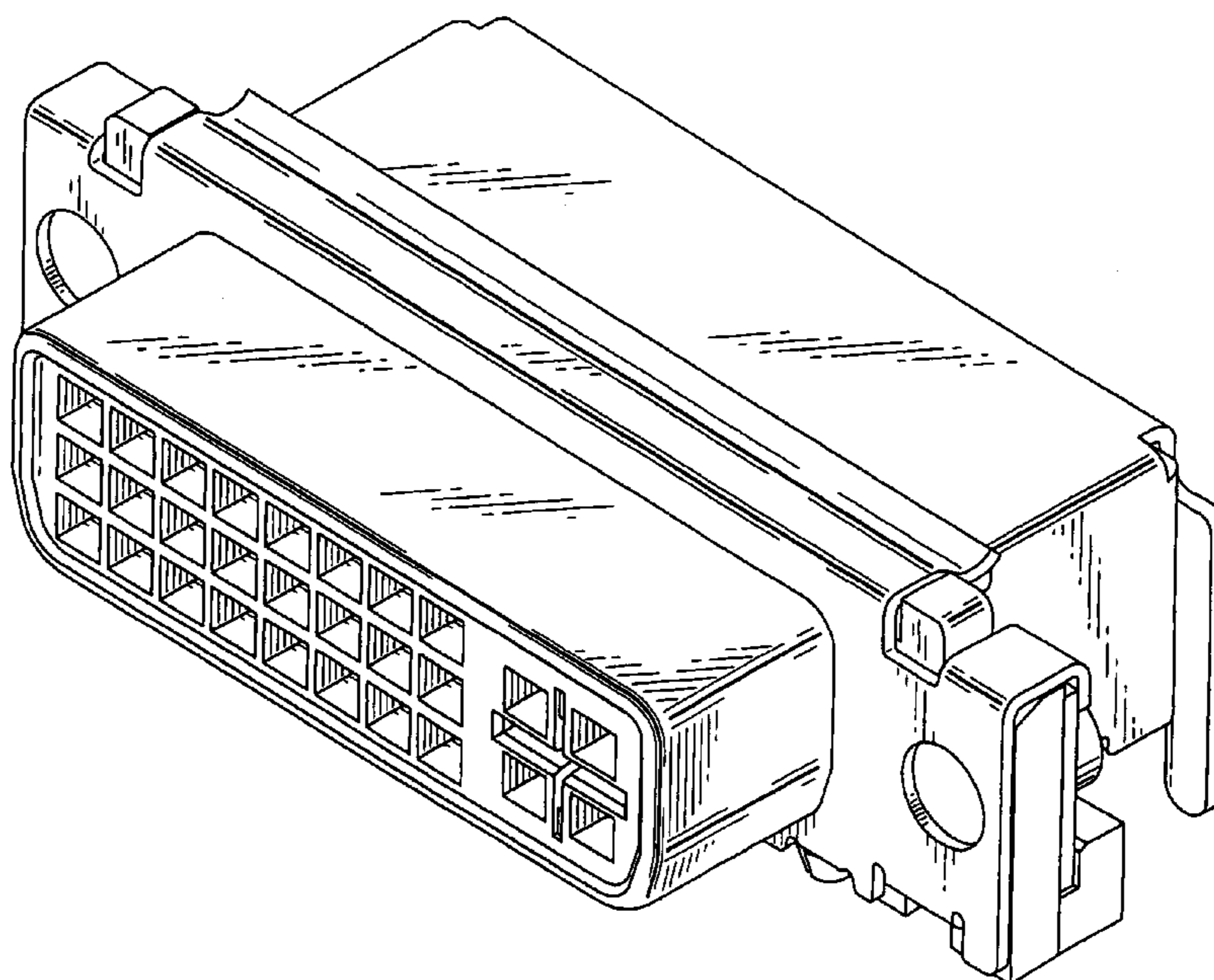
FIG. 1 is a front, top, and right side perspective view of an electrical connector;
FIG. 2 is a rear, bottom, and right side perspective view thereof;
FIG. 3 is a front elevational view thereof;
FIG. 4 is a top plan view thereof;
FIG. 5 is a bottom plan view thereof;
FIG. 6 is a rear elevational view thereof;
FIG. 7 is a right side elevational view thereof; and,
FIG. 8 is a sectional view taken along a line 8-8 of FIG. 3.
A left side elevational view of the electrical connector is omitted because it is presented symmetrical to the right side elevational view of FIG. 7.

(56) **References Cited**

U.S. PATENT DOCUMENTS

5,580,283 A	12/1996	O'Sullivan et al.	
D420,979 S	2/2000	Chang	
6,193,555 B1 *	2/2001	Chang	439/608
6,299,482 B1 *	10/2001	Huang	439/607
D454,336 S	3/2002	Manchester et al.	
D468,693 S *	1/2003	Kuo	D13/147
6,547,595 B2	4/2003	Tanaka	
6,561,847 B1	5/2003	Xiang et al.	
D478,552 S	8/2003	Zhang et al.	

1 Claim, 7 Drawing Sheets



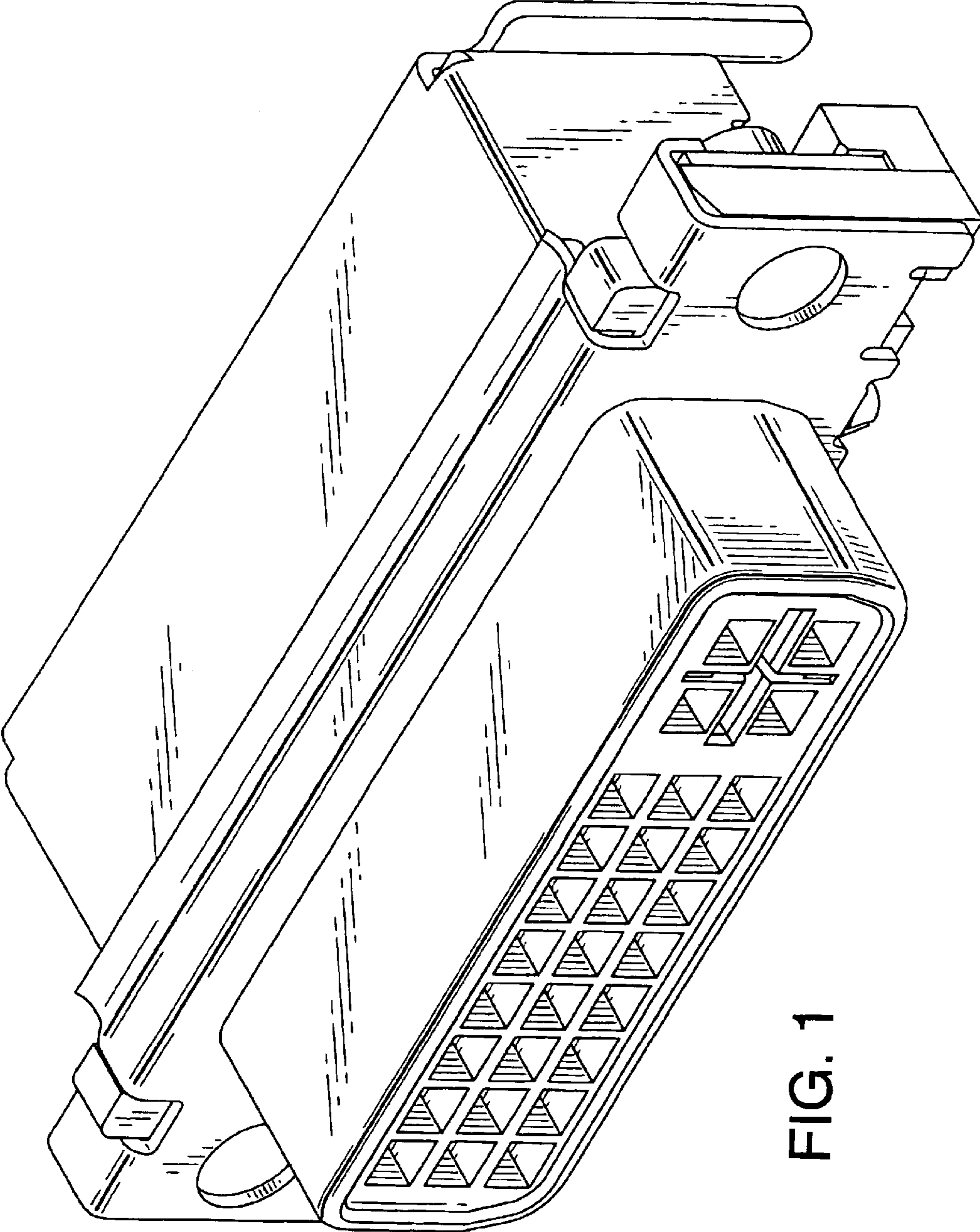


FIG. 1

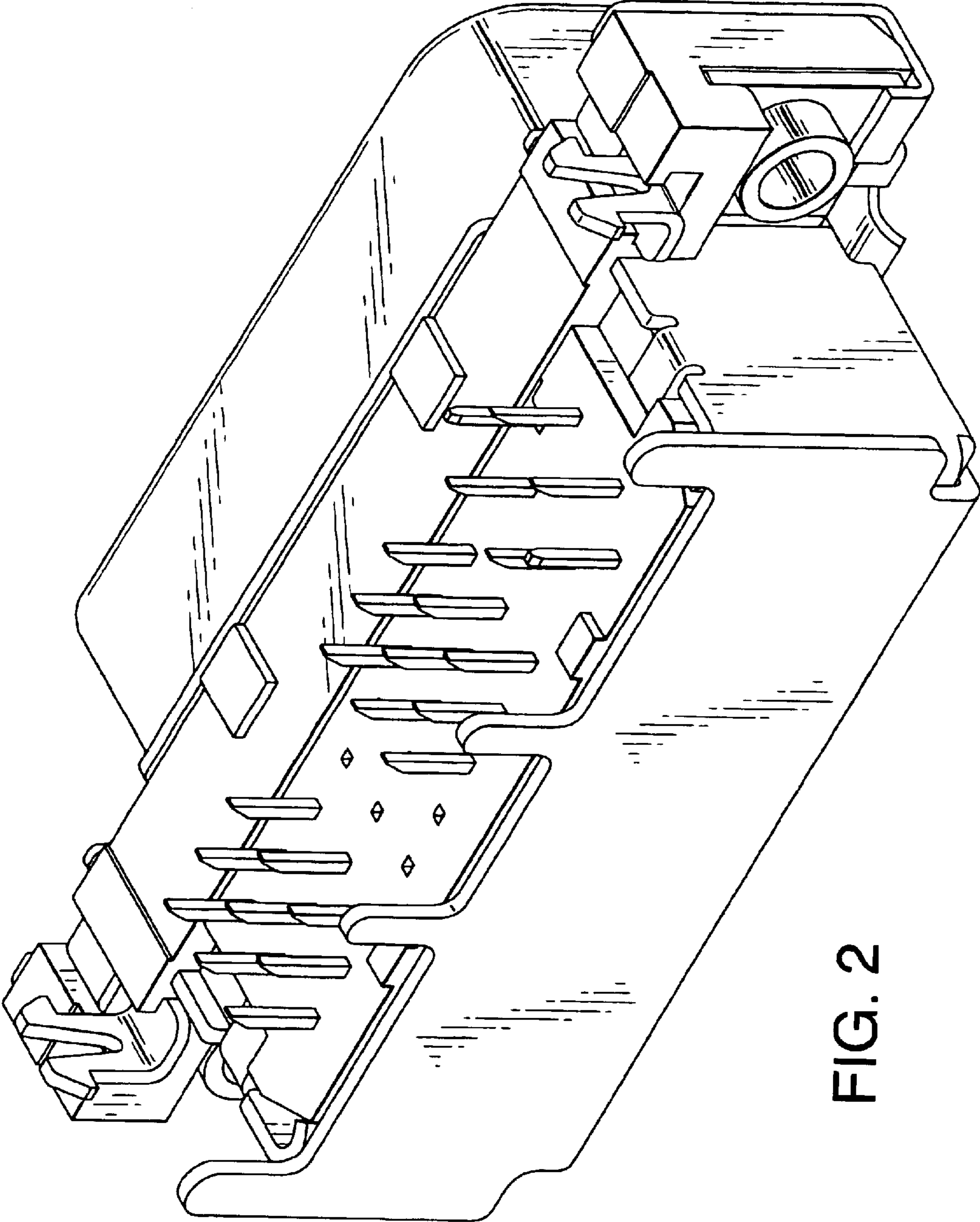


FIG. 2

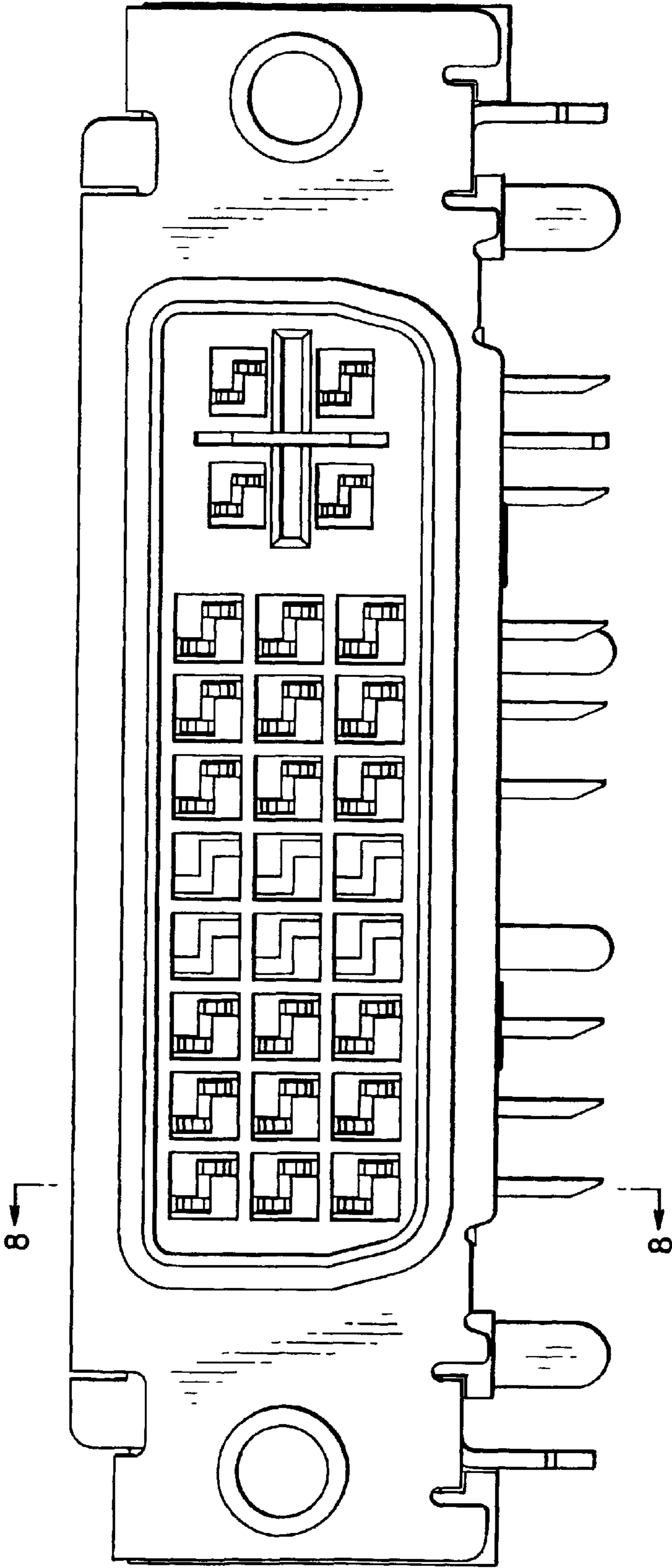


FIG. 3

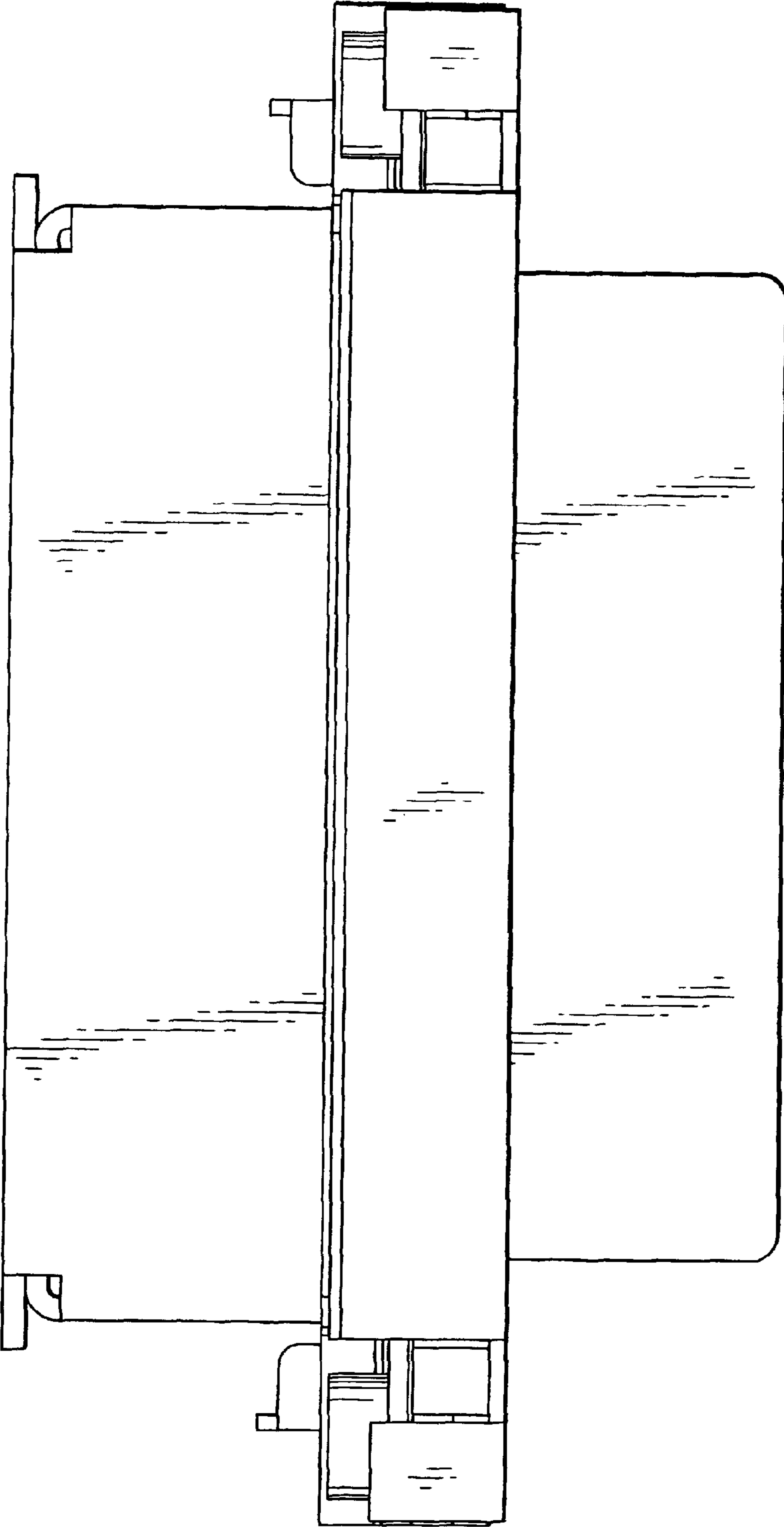


FIG. 4

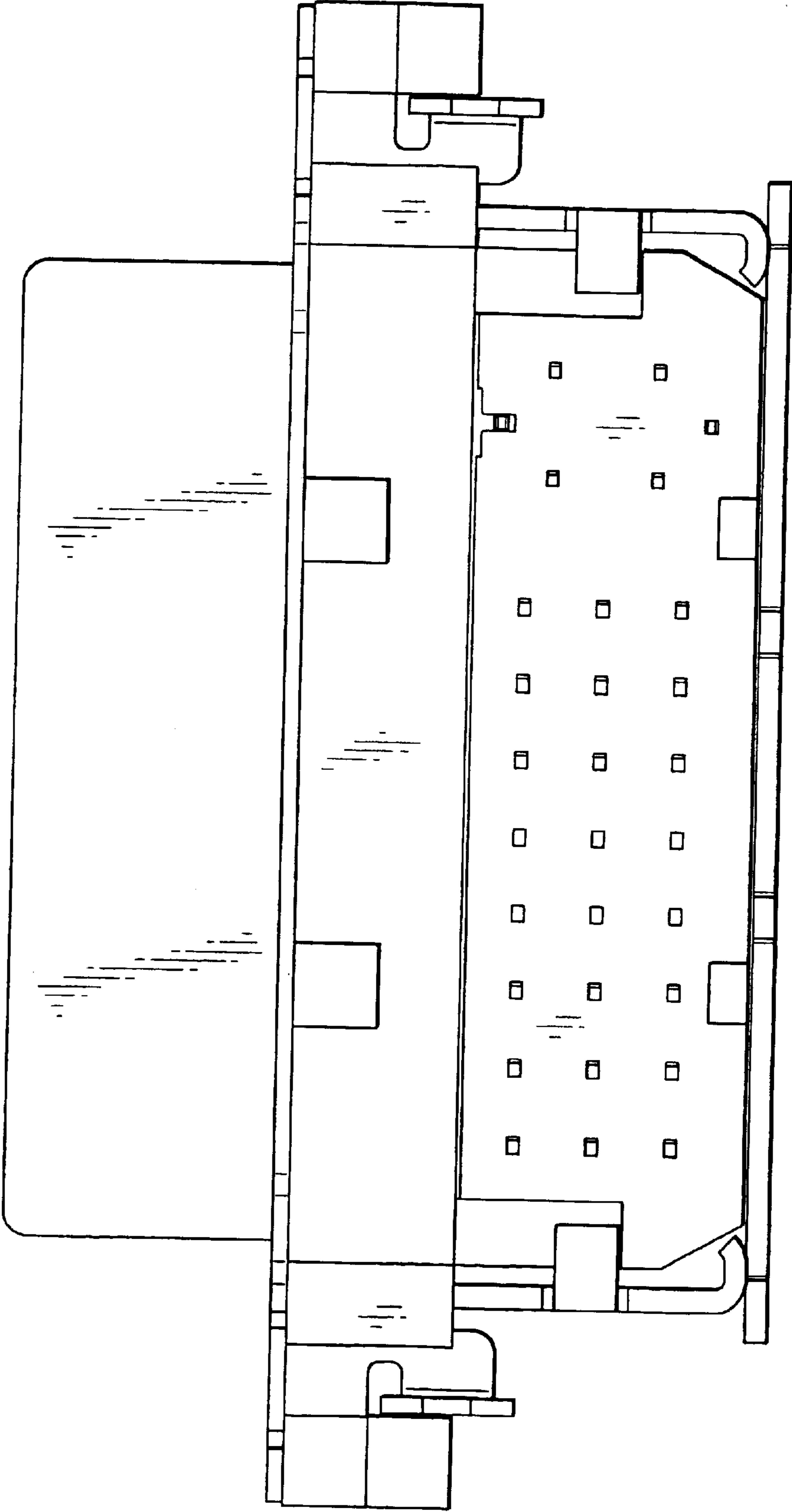


FIG. 5

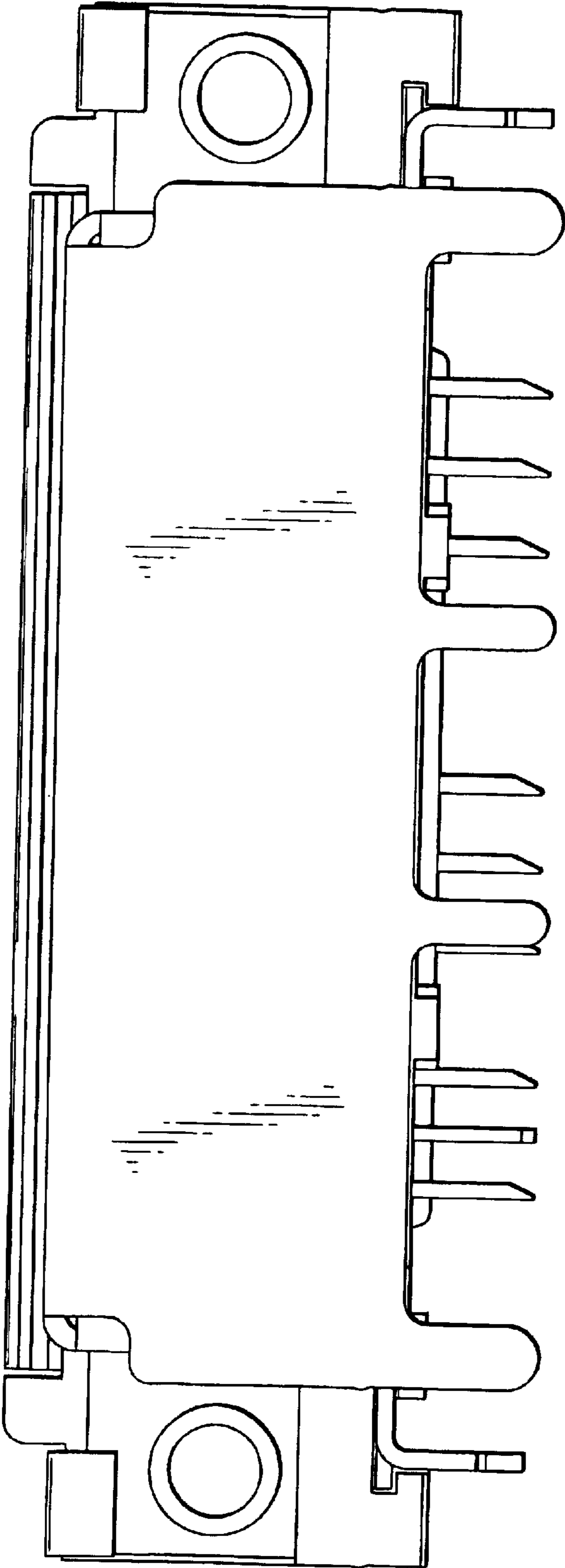


FIG. 6

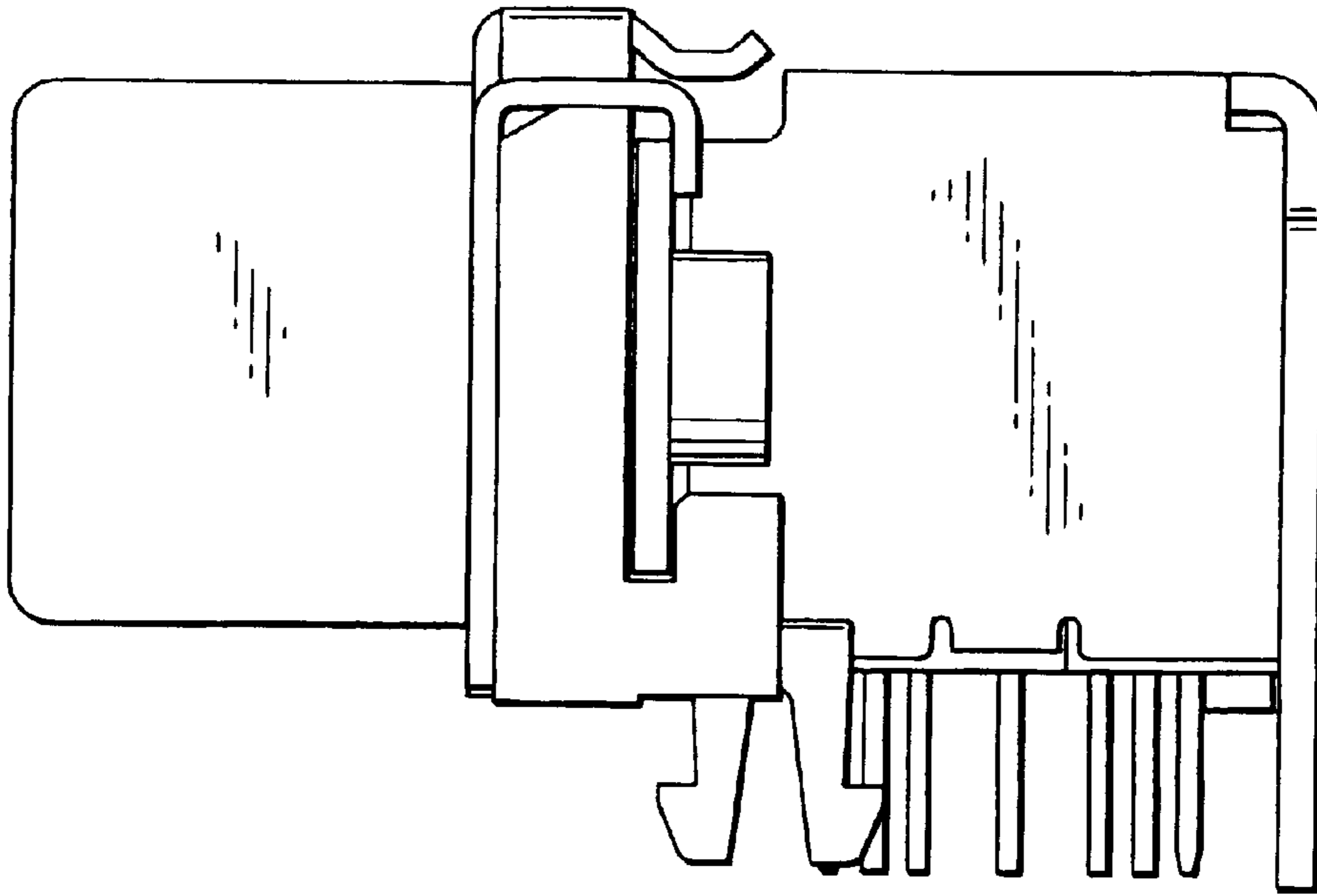


FIG. 7

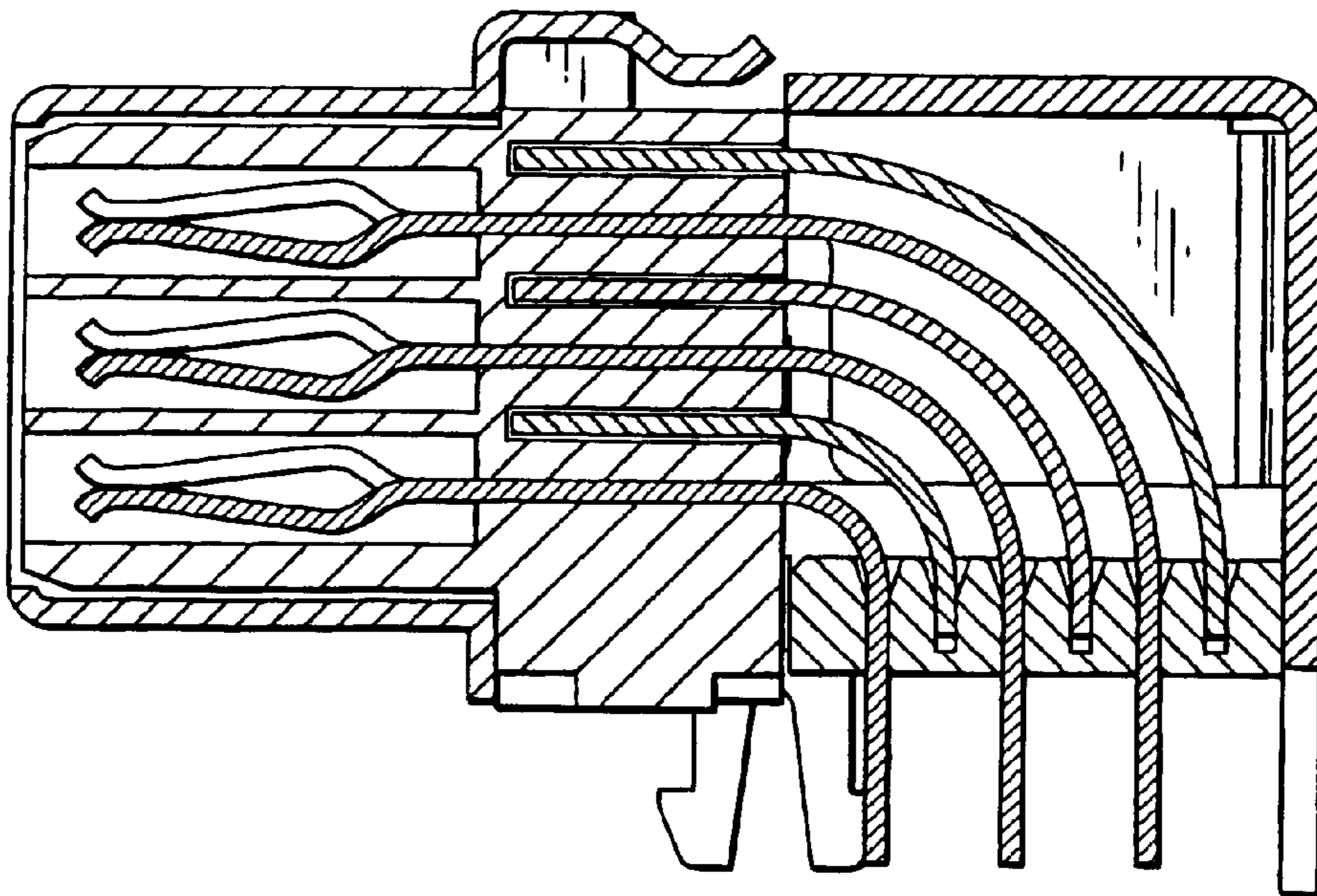


FIG. 8