



US00D509795S

(12) **United States Design Patent**
Buck

(10) **Patent No.:** **US D509,795 S**
(45) **Date of Patent:** **** Sep. 20, 2005**

(54) **PORTABLE ELECTRIC GENERATOR**

(75) Inventor: **John E. Buck**, Cockeysville, MD (US)

(73) Assignee: **Black & Decker Inc.**, Newark, DE (US)

(**) Term: **14 Years**

(21) Appl. No.: **29/209,823**

(22) Filed: **Jul. 22, 2004**

Related U.S. Application Data

(62) Division of application No. 29/148,238, filed on Sep. 17, 2001, now Pat. No. Des. 501,182.

(51) **LOC (8) Cl.** **13-01**

(52) **U.S. Cl.** **D13/116**

(58) **Field of Search** D13/112, 113, D13/114, 116, 199; 123/2-3; 307/150

(56) **References Cited**

U.S. PATENT DOCUMENTS

D135,939 S	7/1943	Worthley	
D138,383 S	* 7/1944	Whitesell et al.	D13/110
D194,490 S	1/1963	Winslow	D77/1
D205,975 S	10/1966	Sato	D77/1
D210,937 S	5/1968	Clark	D14/3

(Continued)

FOREIGN PATENT DOCUMENTS

DE	M8803611	2/1990	D13/1
DE	M9208688	5/1993	D13/1

(Continued)

Primary Examiner—Stella Reid

Assistant Examiner—Daniel Bui

(74) *Attorney, Agent, or Firm*—Michael P. Leary; Charles E. Yocum; Adan Ayala

(57) **CLAIM**

The ornamental design for a portable electric generator, as shown and described.

DESCRIPTION

FIG. 1 is a front perspective view of a first embodiment of a portable electric generator showing my new design;

FIG. 2 is a right side elevational view of the portable electric generator of FIG. 1.

FIG. 3 is a left elevational view of the portable electric generator of FIG. 1.

FIG. 4 is a rear elevational view of the portable electric generator of FIG. 1.

FIG. 5 is a front elevational view of the portable electric generator of FIG. 1.

FIG. 6 is a top plan view of the portable electric generator of FIG. 1.

FIG. 7 is a bottom plan view of the portable electric generator of FIG. 1.

FIG. 8 is a rear perspective view of a second embodiment of a portable electric generator showing my new design.

FIG. 9 is a right side elevational view of the portable electric generator of FIG. 8.

FIG. 10 is a left side elevational view of the portable electric generator of FIG. 8.

FIG. 11 is a rear elevational view of the portable electric generator of FIG. 8.

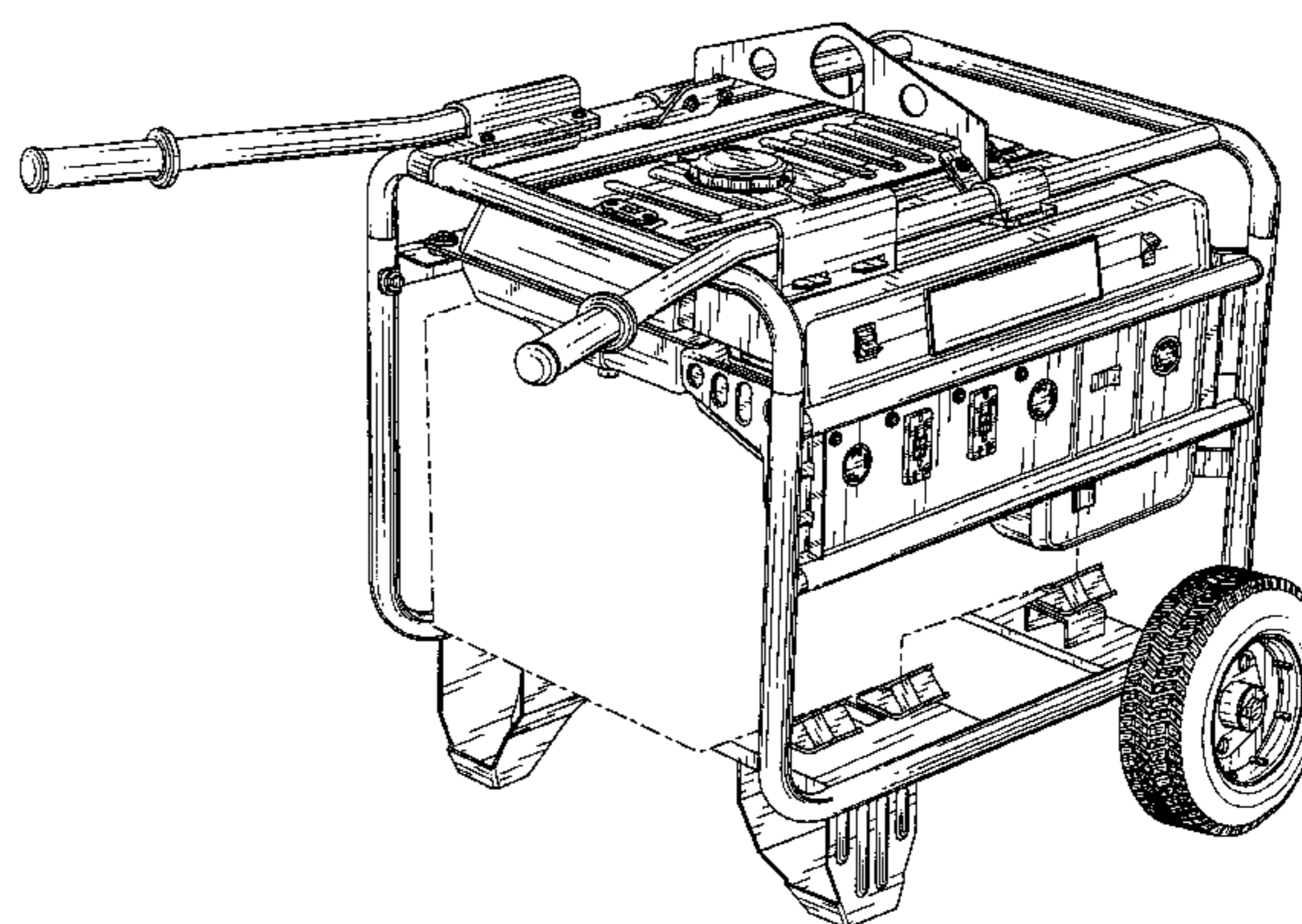
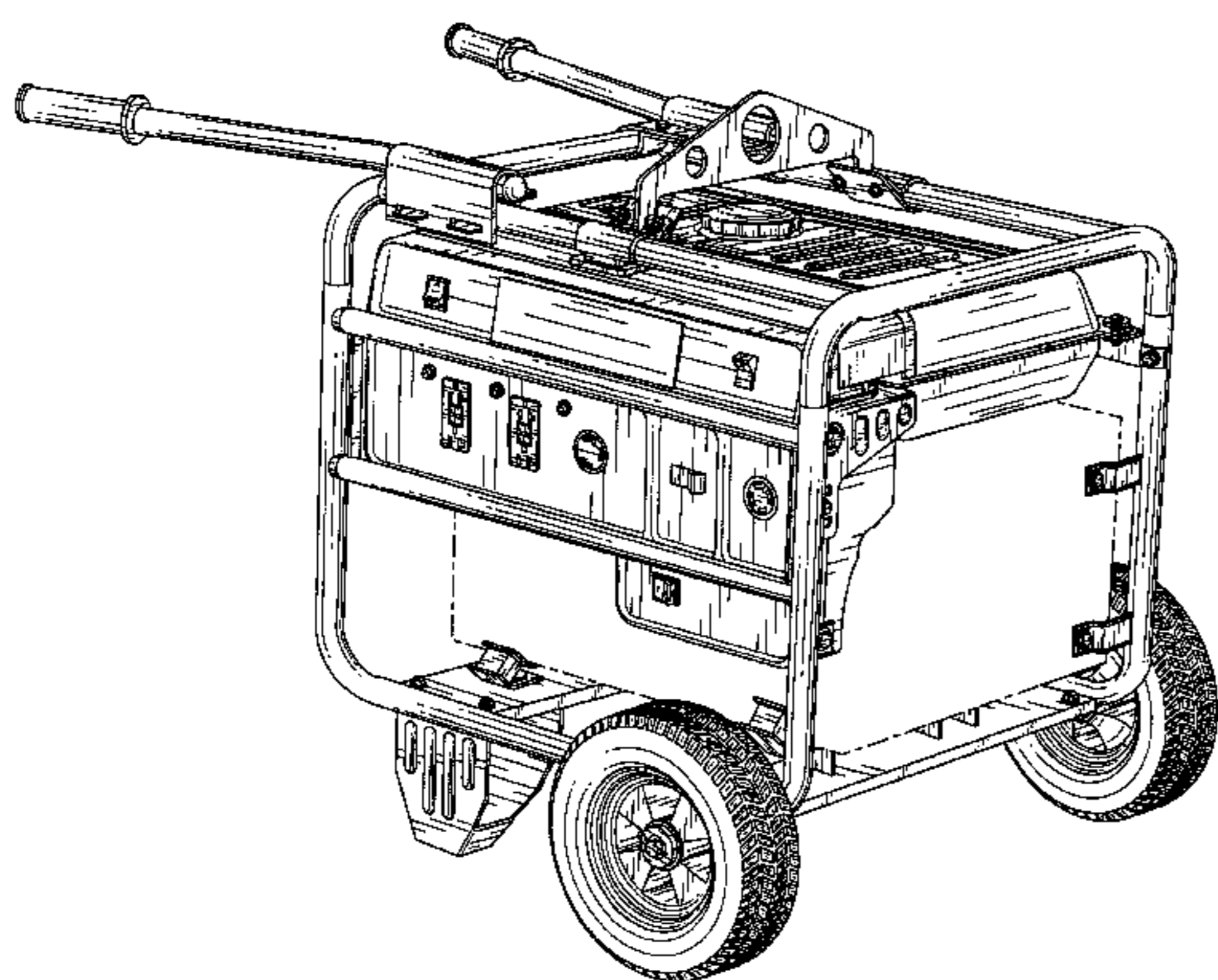
FIG. 12 is a front elevational view of the portable electric generator of FIG. 8.

FIG. 13 is a top plan view of the portable electric generator of FIG. 8; and,

FIG. 14 is a bottom plan view of the portable electric generator of FIG. 8.

The broken lines and the areas within the broken lines are for illustrative purposes only and form no part of the claimed design.

1 Claim, 14 Drawing Sheets



US D509,795 S

Page 2

U.S. PATENT DOCUMENTS

D227,411 S 6/1973 De Bella D13/1
D249,788 S 10/1978 Nanjo D13/3
4,376,250 A 3/1983 Baker, Jr. et al. 307/150
D276,997 S * 1/1985 Mikado D13/116
D277,285 S 1/1985 Lopez D15/1
D277,954 S 3/1985 Mizushima D13/1
D278,425 S * 4/1985 Toshihiko D13/116
D282,734 S 2/1986 Shibuya D13/1
D293,904 S 1/1988 Murakami et al. D13/1
D294,015 S 2/1988 Gomi D13/1
4,914,373 A 4/1990 Rivkine 322/1
D382,853 S * 8/1997 Crawford D13/112
D416,537 S 11/1999 Imai et al. D13/116
D416,858 S 11/1999 Domanski D13/114
D418,809 S * 1/2000 Frank D13/112

D425,018 S 5/2000 Madura et al. D13/110
6,181,019 B1 1/2001 Frank 290/1 A
D489,327 S * 5/2004 Imai D13/116
6,750,556 B2 * 6/2004 Sodemann et al. 290/1 A
D494,929 S * 8/2004 Imai D13/116

FOREIGN PATENT DOCUMENTS

DE M9301671 9/1993 D13/1
DE M9301672 9/1993 D13/1
DE M9805666 2/1999 D13/1
DE 49901937 7/1999 D13/1
DE 49906955 12/1999 D13/1
DE 40001334 6/2000 D13/1
DE 40003903 9/2000 D13/1

* cited by examiner

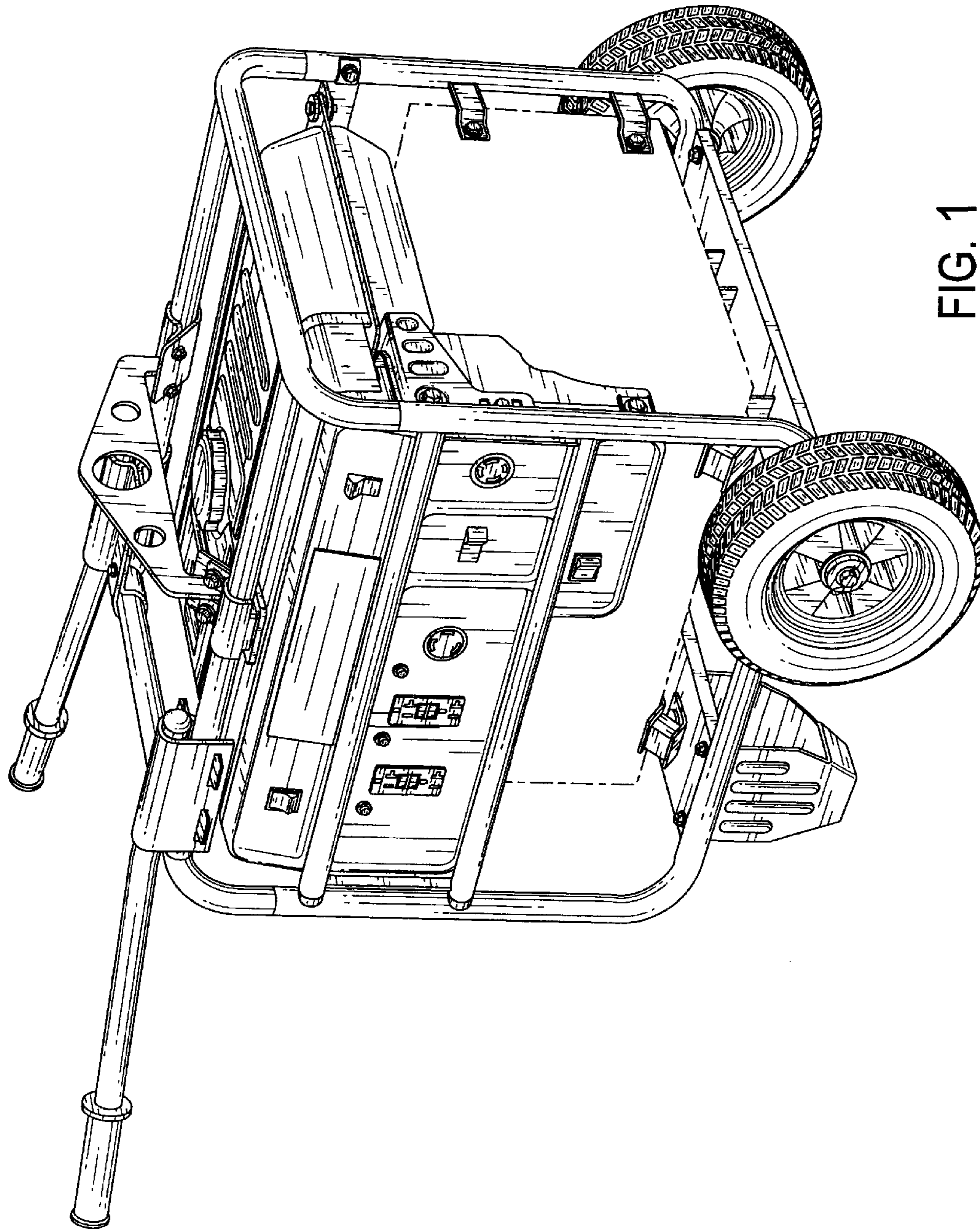


FIG. 1

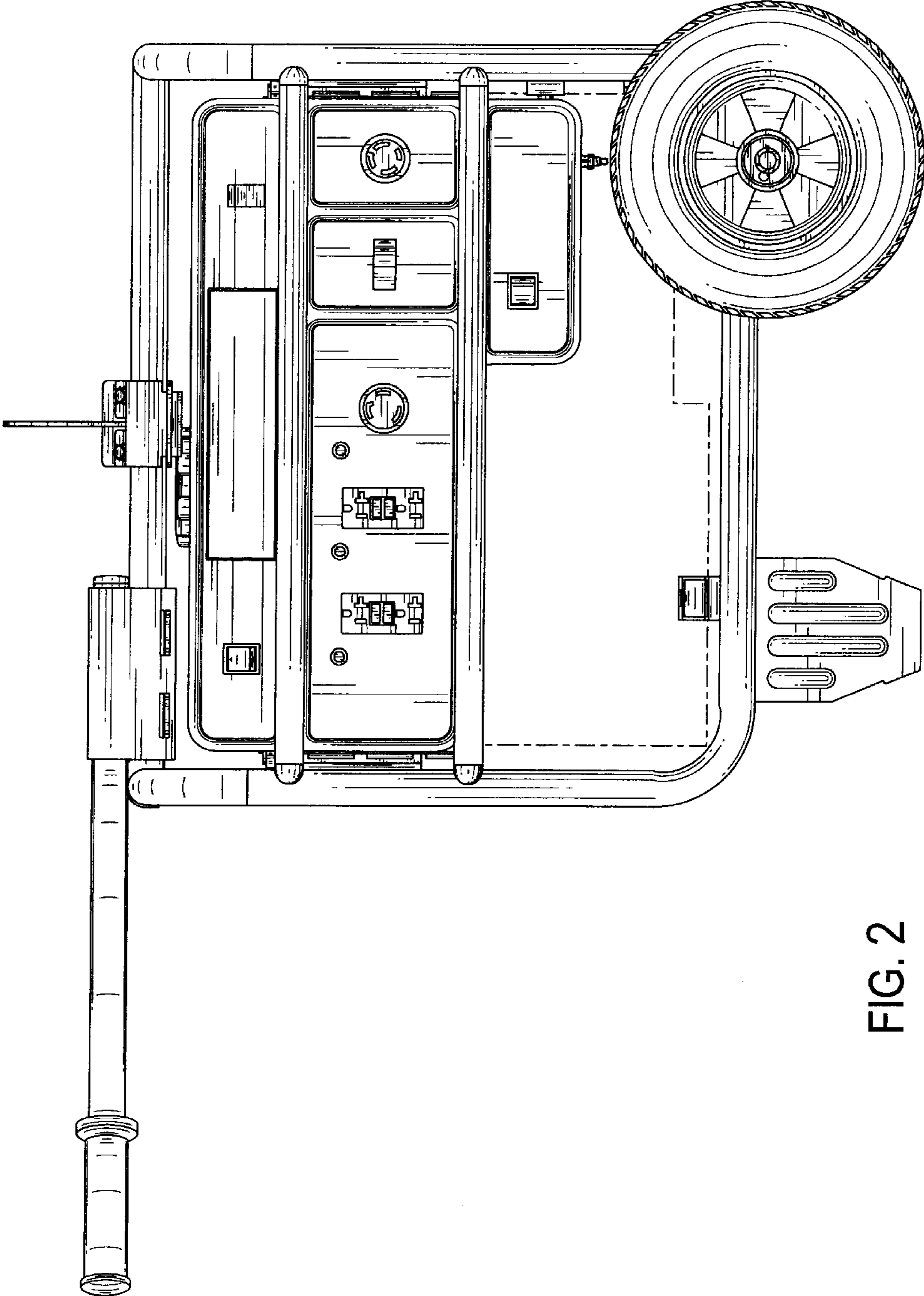


FIG. 2

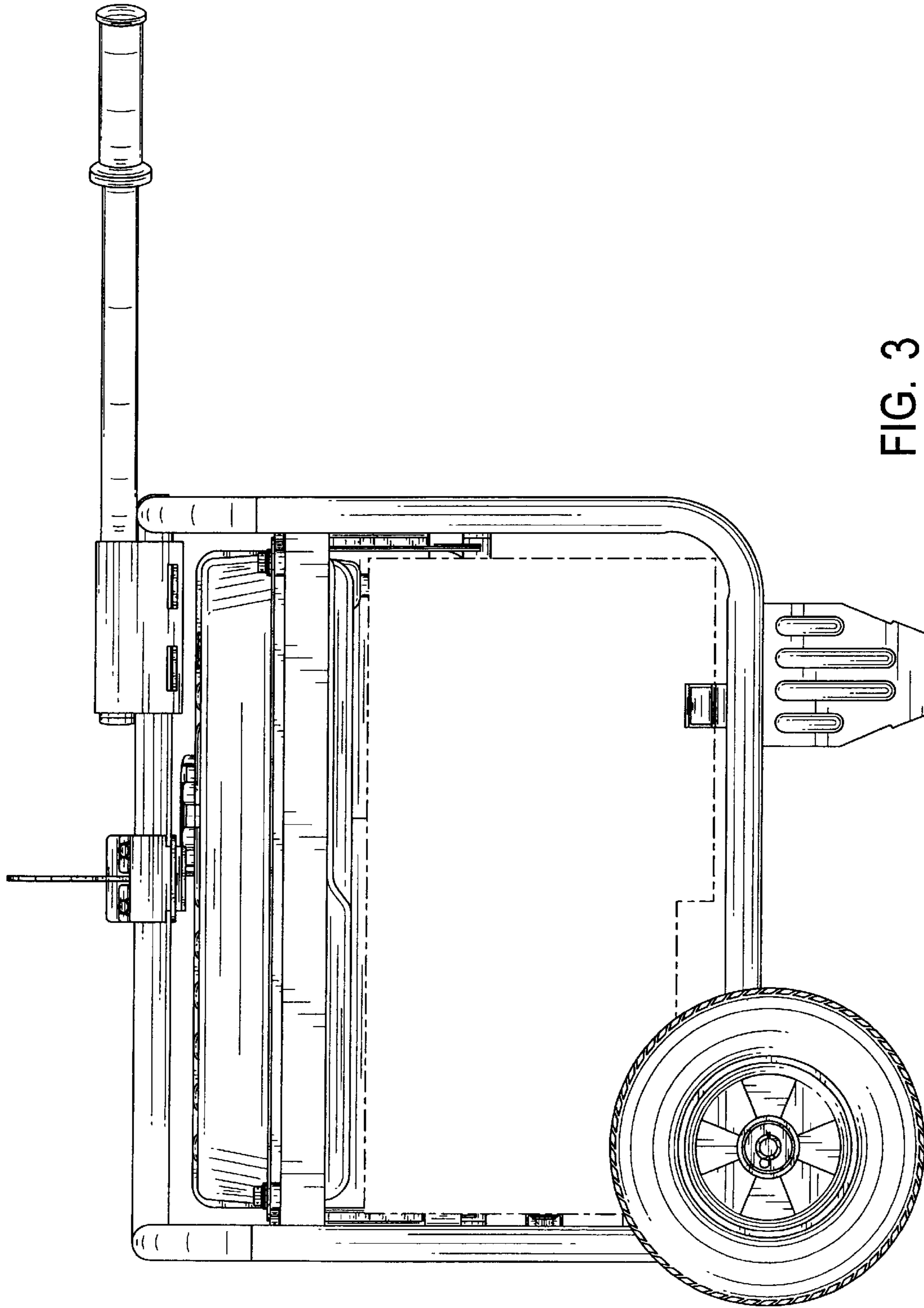


FIG. 3

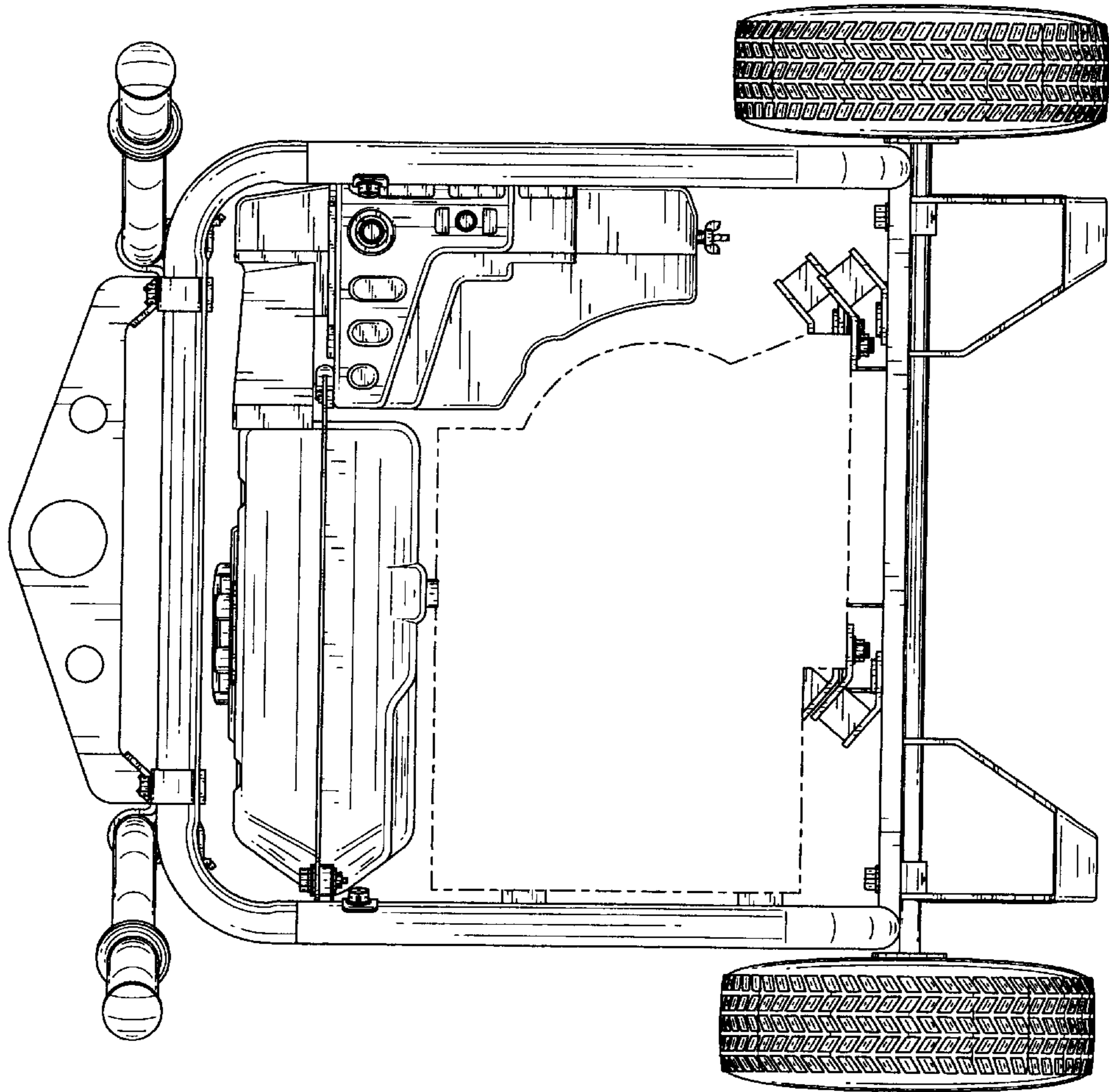


FIG. 4

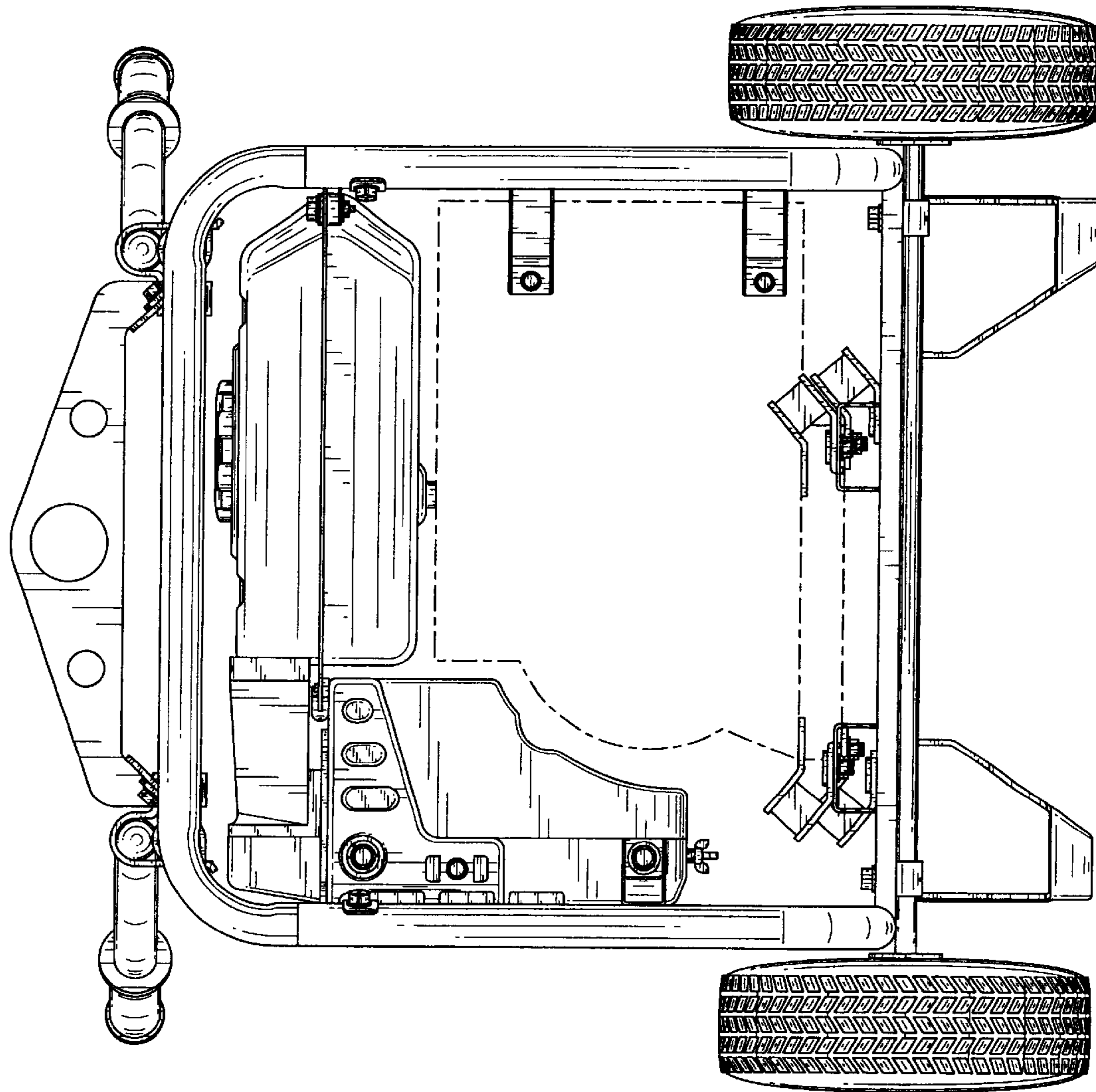


FIG. 5

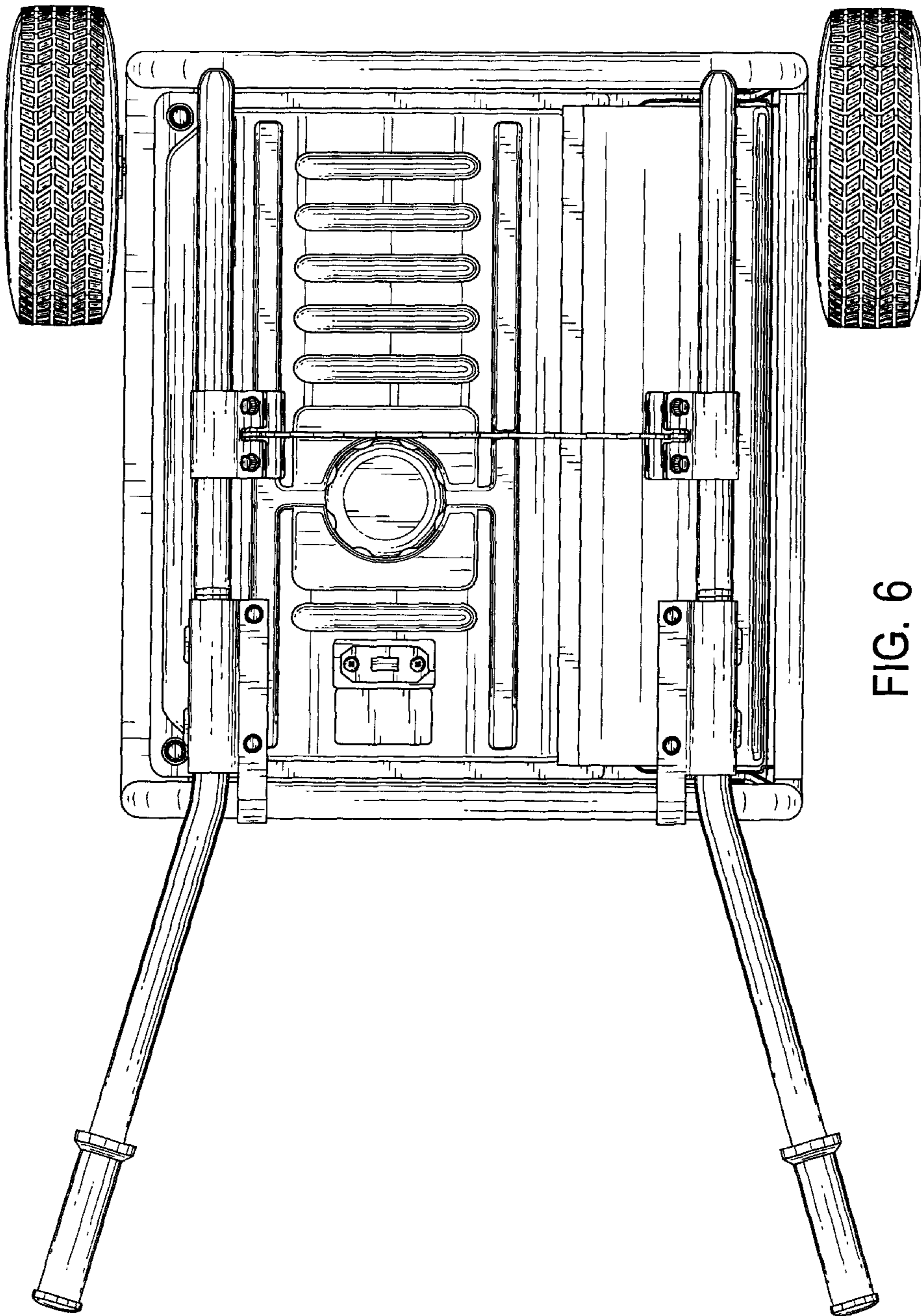


FIG. 6

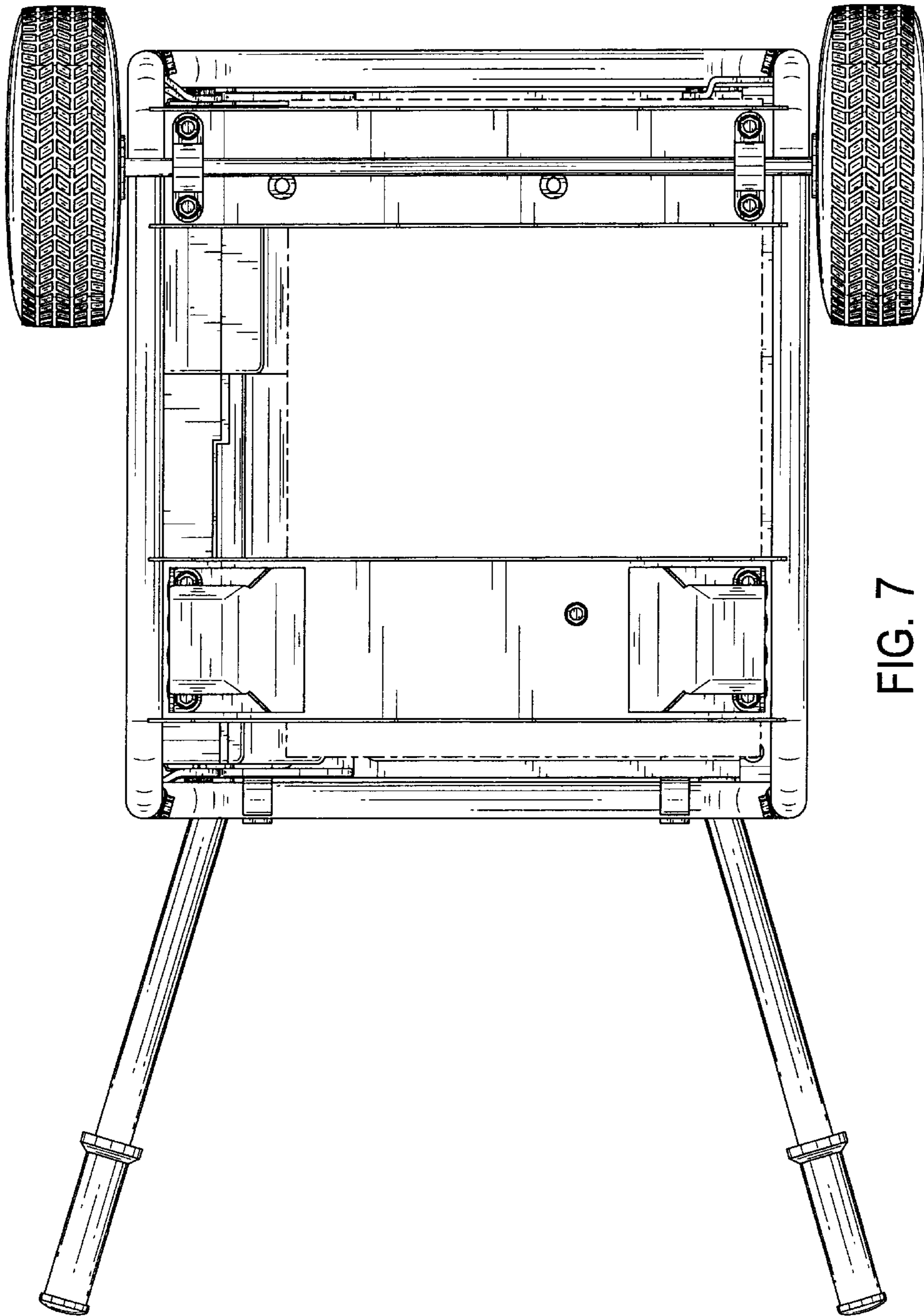


FIG. 7

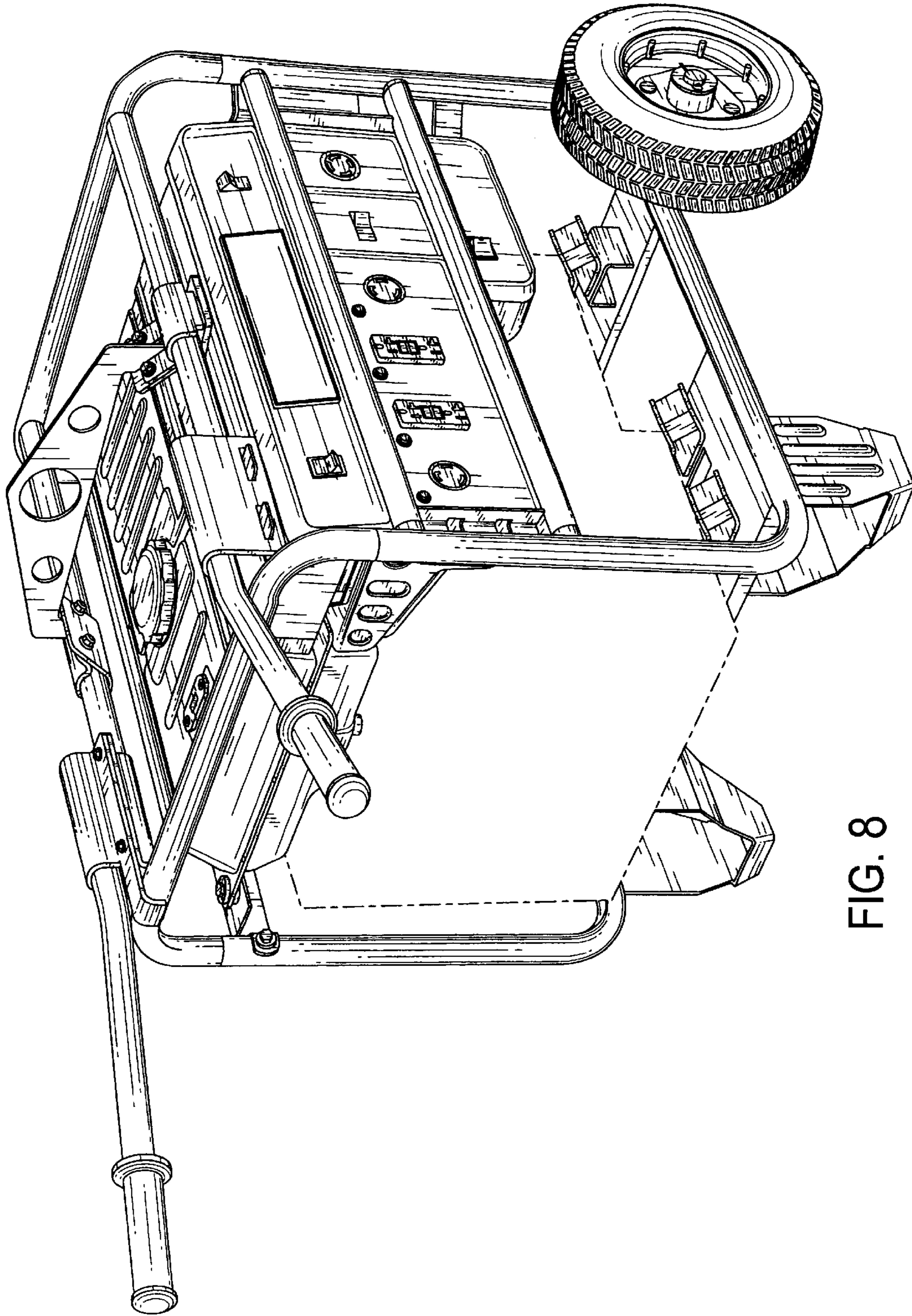


FIG. 8

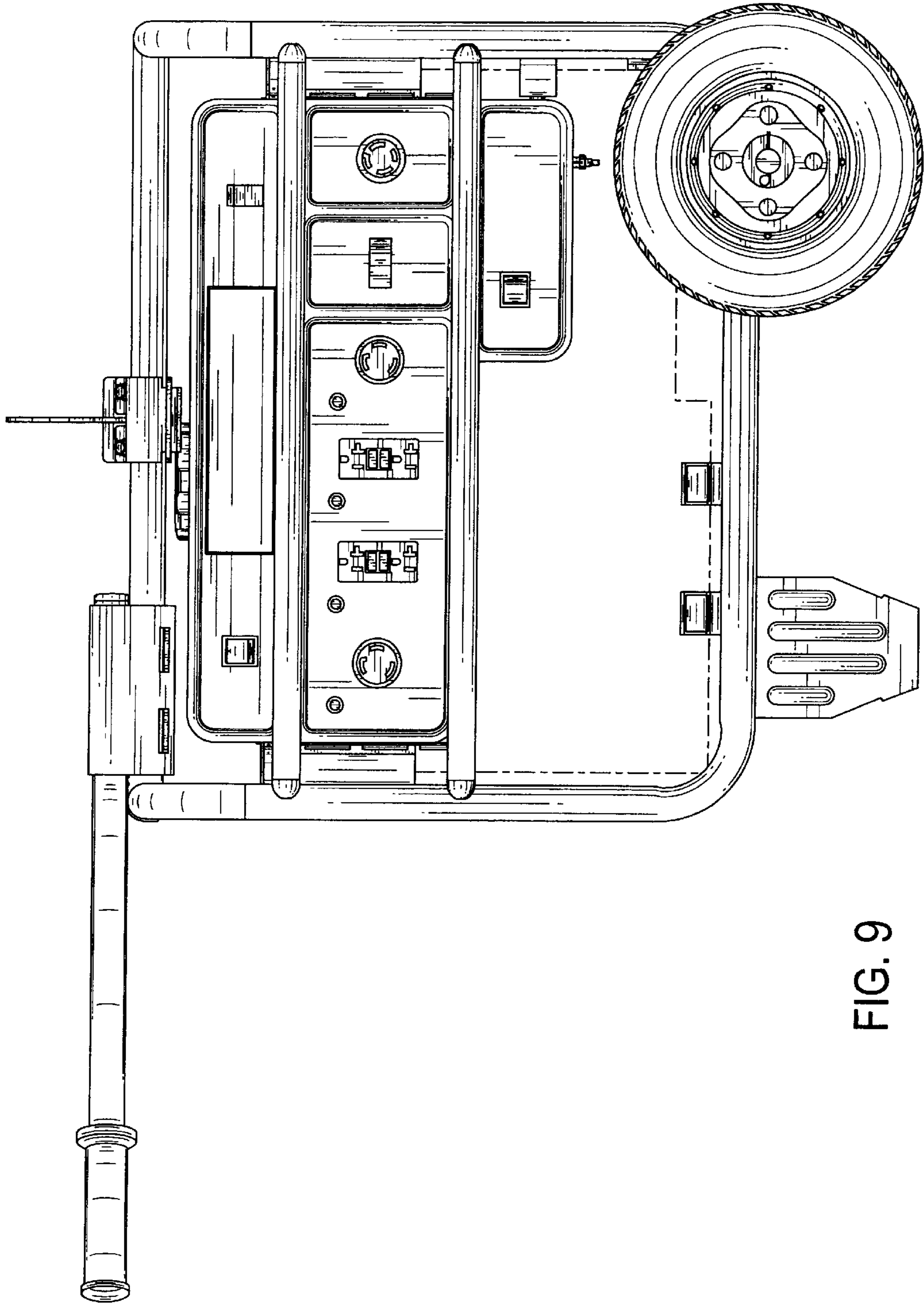


FIG. 9

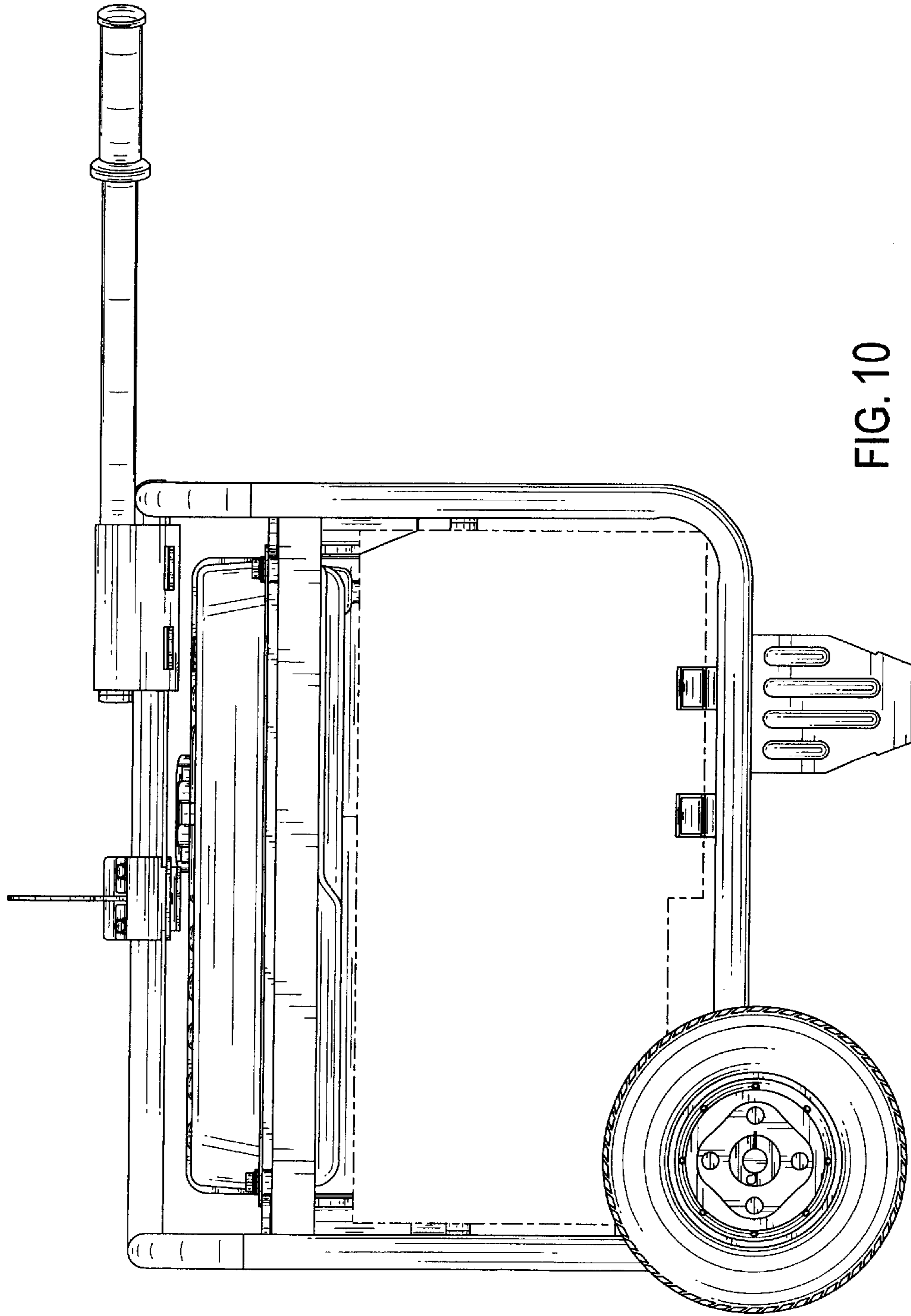


FIG. 10

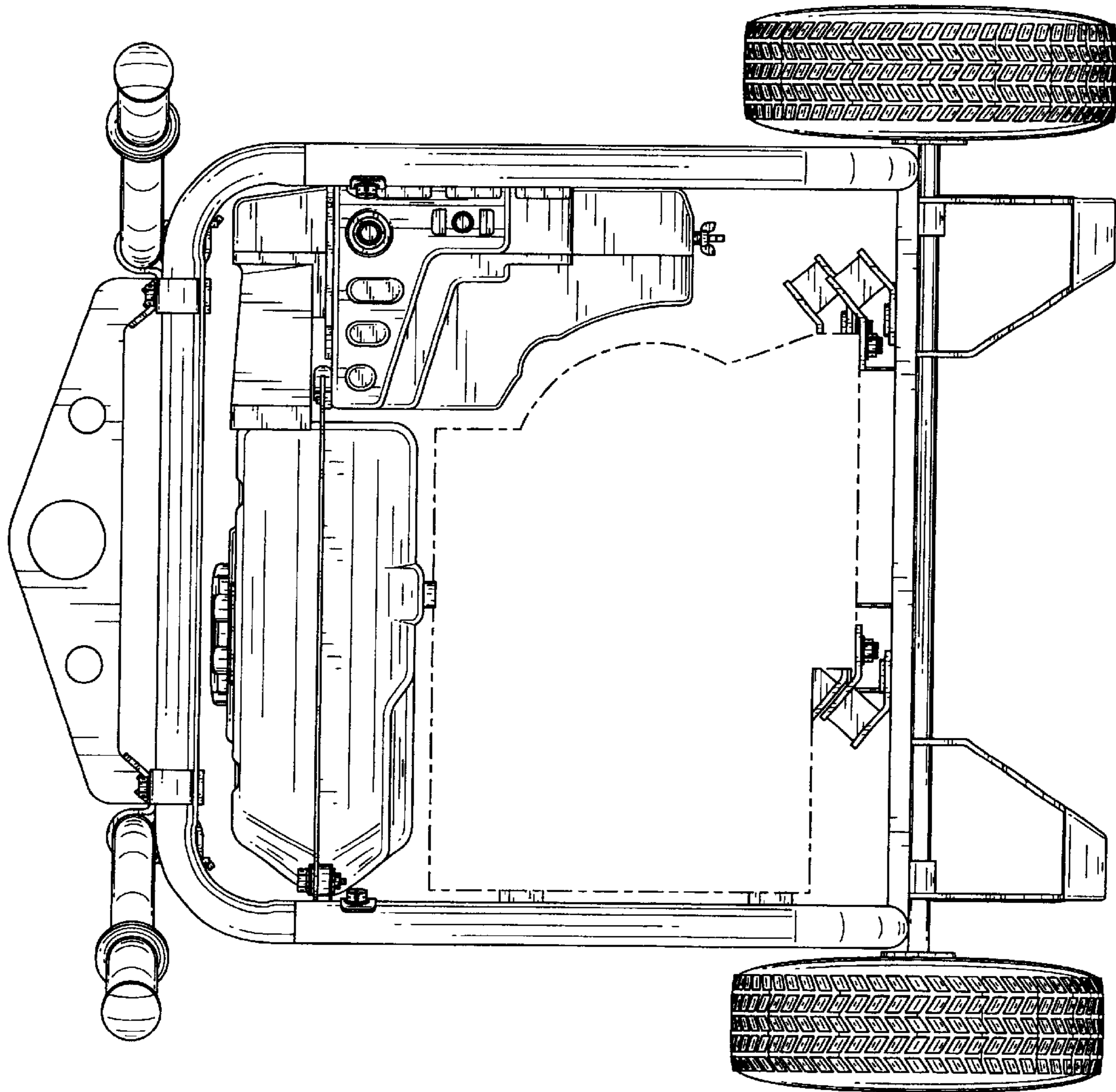


FIG. 11

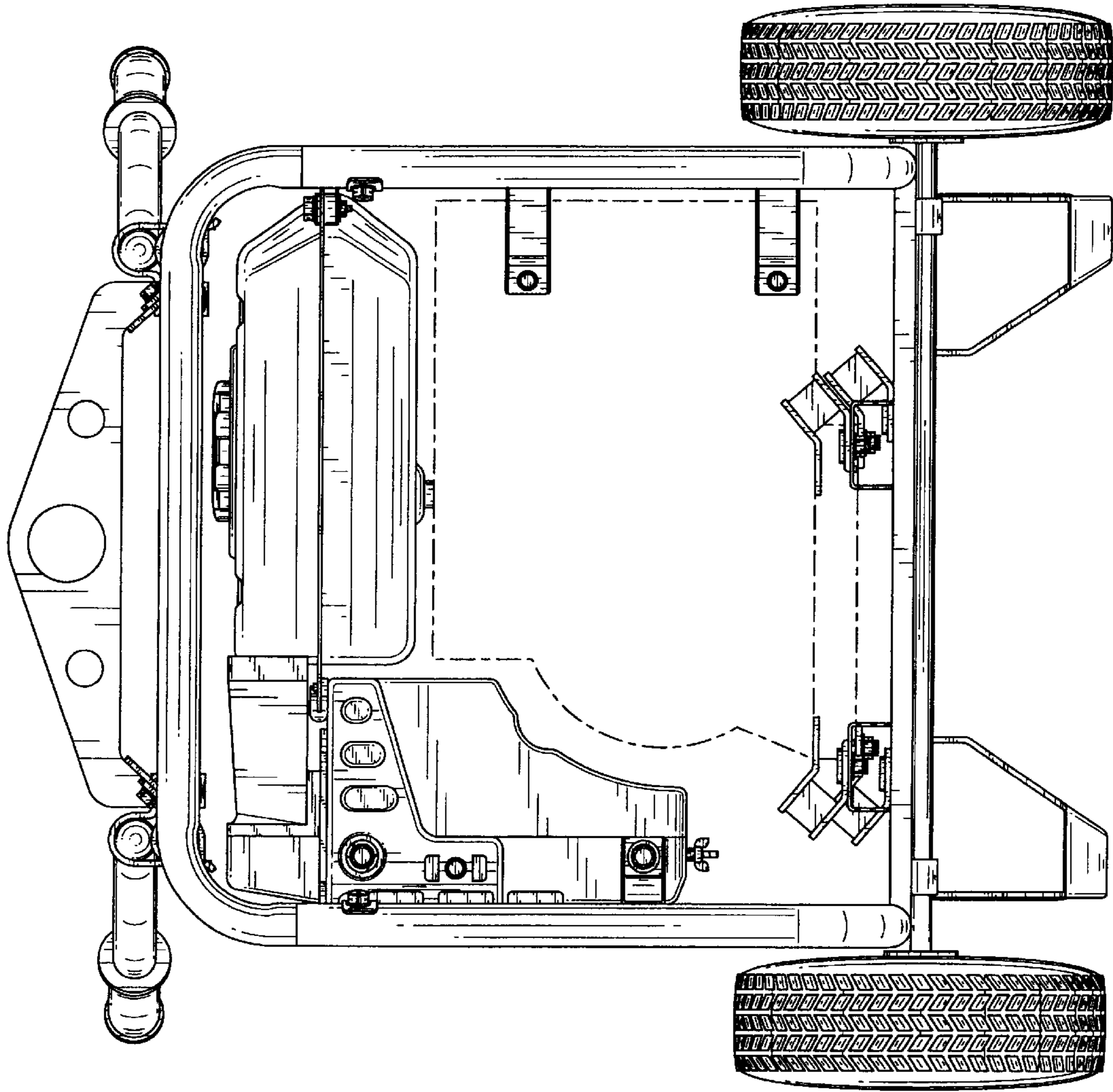


FIG. 12

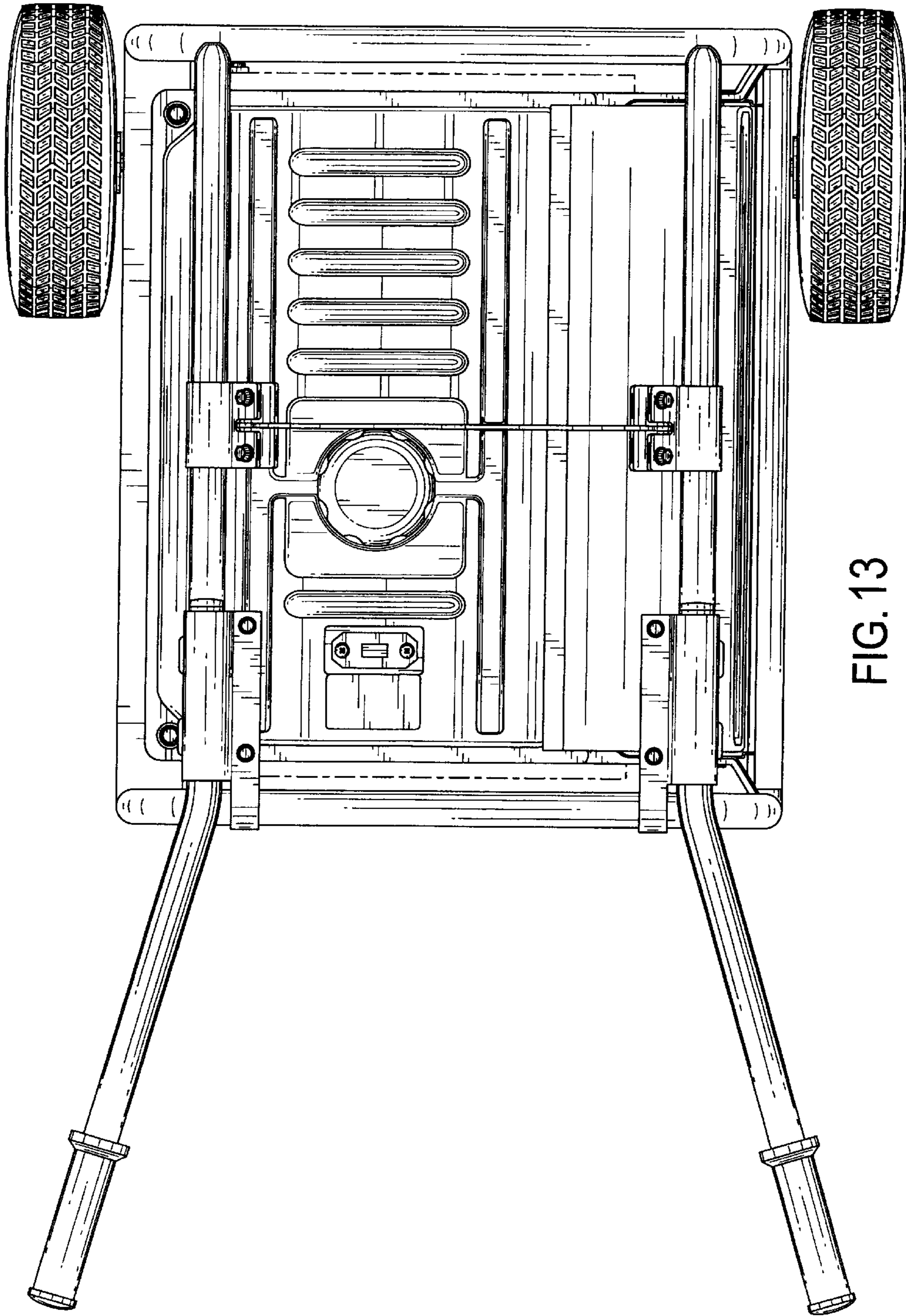


FIG. 13

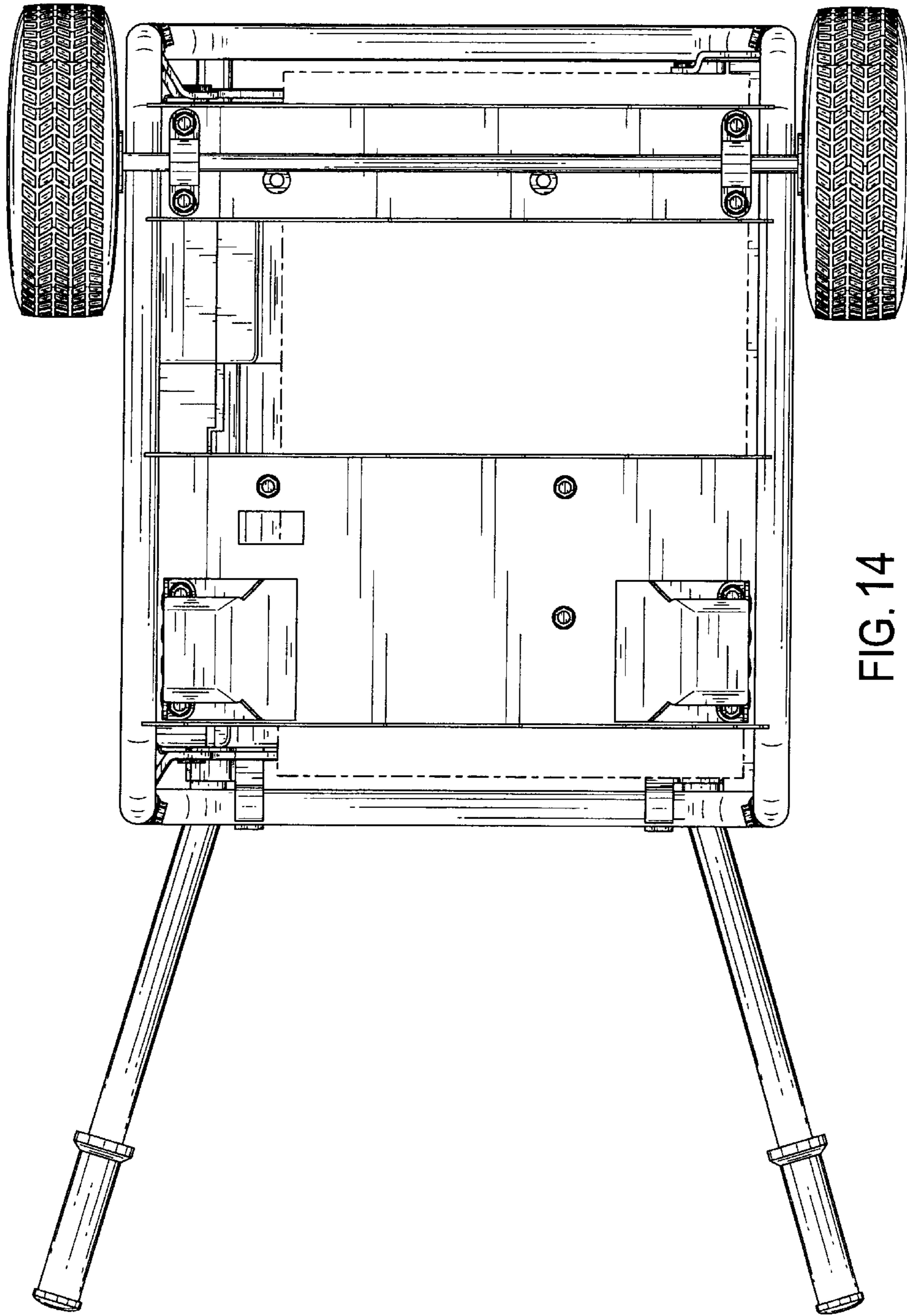


FIG. 14