

US00D509794S

(12) **United States Design Patent** (10) **Patent No.:** **US D509,794 S**
Okubo et al. (45) **Date of Patent:** **** Sep. 20, 2005**

(54) **WIND POWER GENERATOR**

(75) Inventors: **Kazuo Okubo**, Ise (JP); **Kazumichi Kato**, Ise (JP); **Toshio Miki**, Ise (JP); **Hiroo Mike**, Ise (JP); **Junichi Kurokawa**, Ise (JP)

(73) Assignee: **Shinko Electric Co., Ltd.** (JP)

(**) Term: **14 Years**

(21) Appl. No.: **29/201,603**

(22) Filed: **Mar. 18, 2004**

(30) **Foreign Application Priority Data**

Oct. 1, 2003 (JP) 2003-028960

(51) **LOC (8) Cl.** **13-01**

(52) **U.S. Cl.** **D13/115**

(58) **Field of Search** D13/110-118,
D13/184, 199; 290/43-44, 52-55; 415/2.1,
3.1, 122.1, 209.1; 416/176-177

(56) **References Cited**

U.S. PATENT DOCUMENTS

1,076,713	A *	10/1913	Southwick	416/119
3,918,839	A *	11/1975	Blackwell et al.	416/175
4,247,253	A *	1/1981	Seki et al.	416/44
4,318,019	A *	3/1982	Teasley et al.	310/156.35
4,414,477	A *	11/1983	Mewburn-Crook et al.	...	290/55
5,518,367	A *	5/1996	Verastegui	416/119
6,853,096	B1 *	2/2005	Yu et al.	290/55
2003/0030283	A1 *	2/2003	Lusk	290/44
2003/0185666	A1 *	10/2003	Ursua	415/4.2
2004/0036297	A1 *	2/2004	Rowe	290/55
2004/0228729	A1 *	11/2004	Migler	416/119
2005/0019151	A1 *	1/2005	Bezemer	415/4.4

* cited by examiner

Primary Examiner—Stella Reid

Assistant Examiner—Daniel Bui

(74) *Attorney, Agent, or Firm*—Steptoe & Johnson LLP

(57) **CLAIM**

The ornamental design for a wind power generator, as shown and described.

DESCRIPTION

FIG. 1 is a perspective view of a wind power generator.

FIG. 2 is a front elevation view thereof.

FIG. 3 is a rear elevation view thereof.

FIG. 4 is a top plan view thereof.

FIG. 5 is a bottom plan view thereof.

FIG. 6 is a left side elevation view thereof.

FIG. 7 is a right side elevation view thereof.

FIG. 8 is an enlarged cross-sectional view, taking along line 8—8 in FIG. 2;

FIG. 9 is an enlarged cross-sectional view, taking along line 9—9 in FIG. 4, which omits the part below line A—A in FIG. 2;

FIG. 10 is an enlarged cross-sectional view, taking along line 10—10 in FIG. 4, which omits the part below line A—A in FIG. 2;

FIG. 11 is an enlarged cross-sectional view, taking along line 11—11 in FIG. 4, which omits the part below line A—A in FIG. 2;

FIG. 12 is an enlarged front elevation view thereof and omits the part below line I—I in FIG. 2;

FIG. 13 is an enlarged top plan view thereof;

FIG. 14 is an enlarged bottom plan view thereof; and,

FIG. 15 is an enlarged cross-sectional view, taking along line 15—15 in FIG. 2.

1 Claim, 15 Drawing Sheets

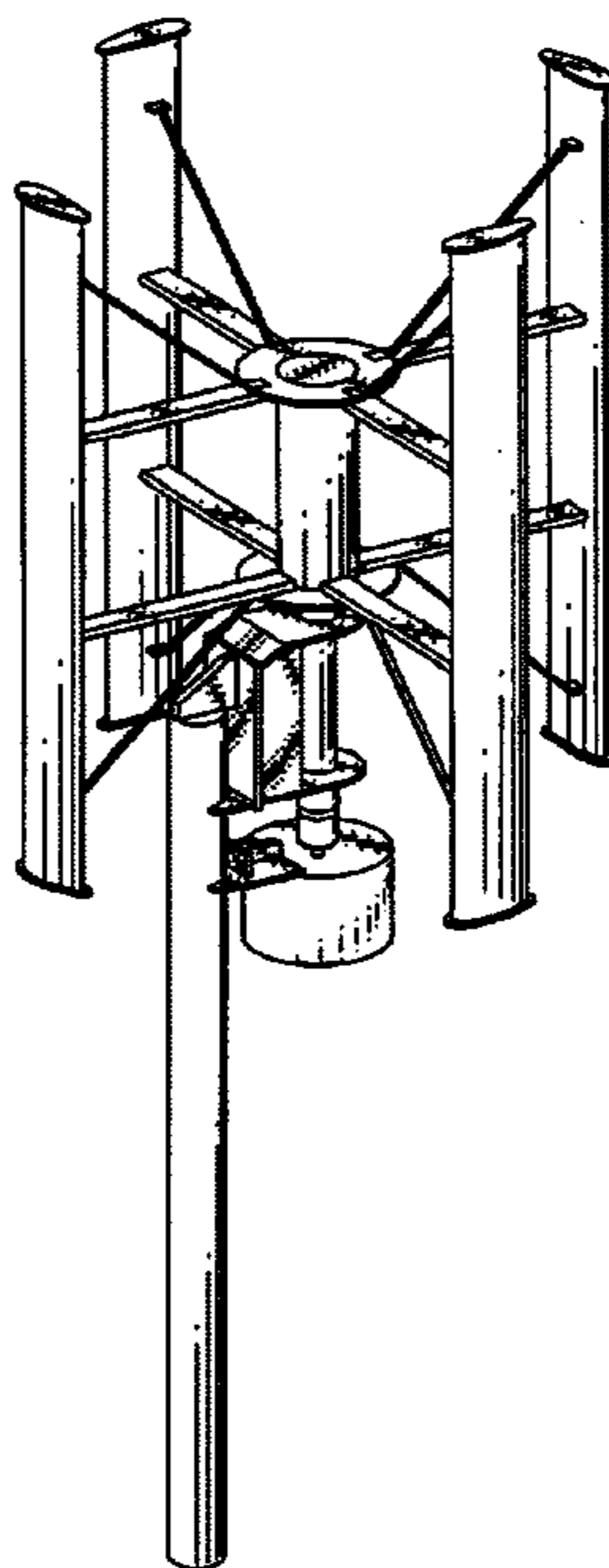


FIG. 1

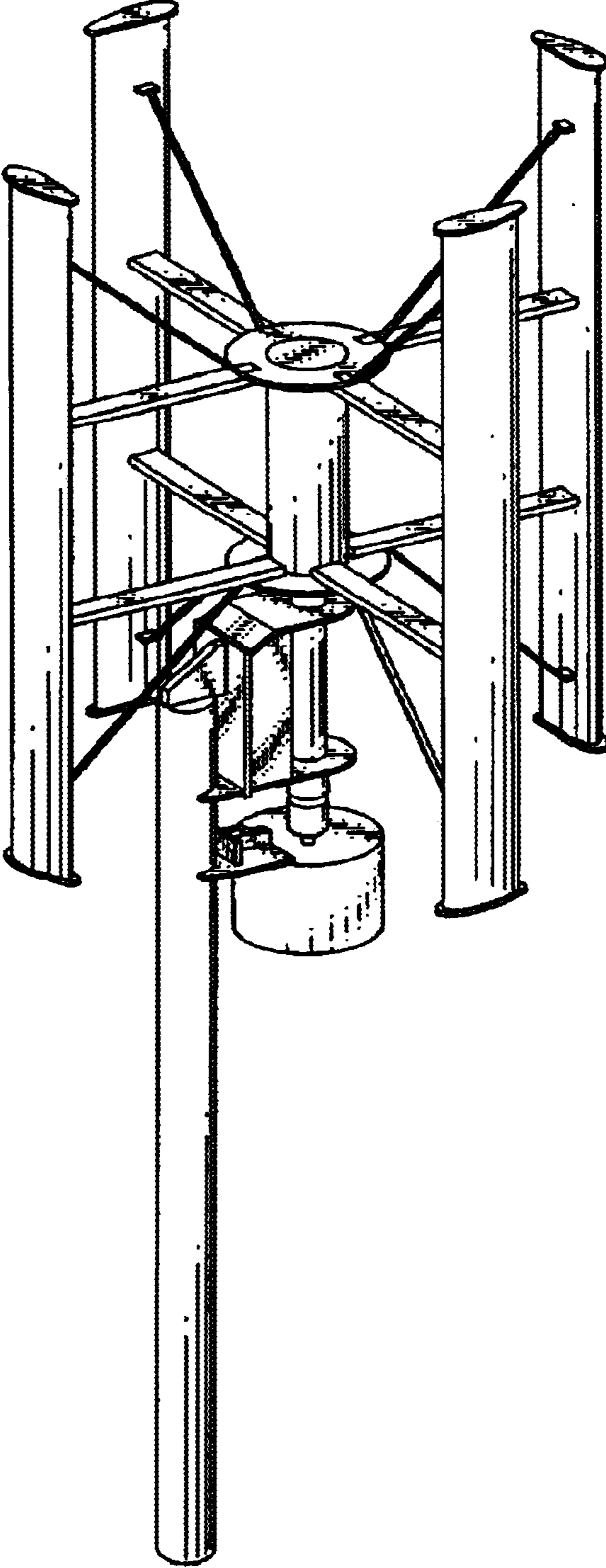


FIG. 2

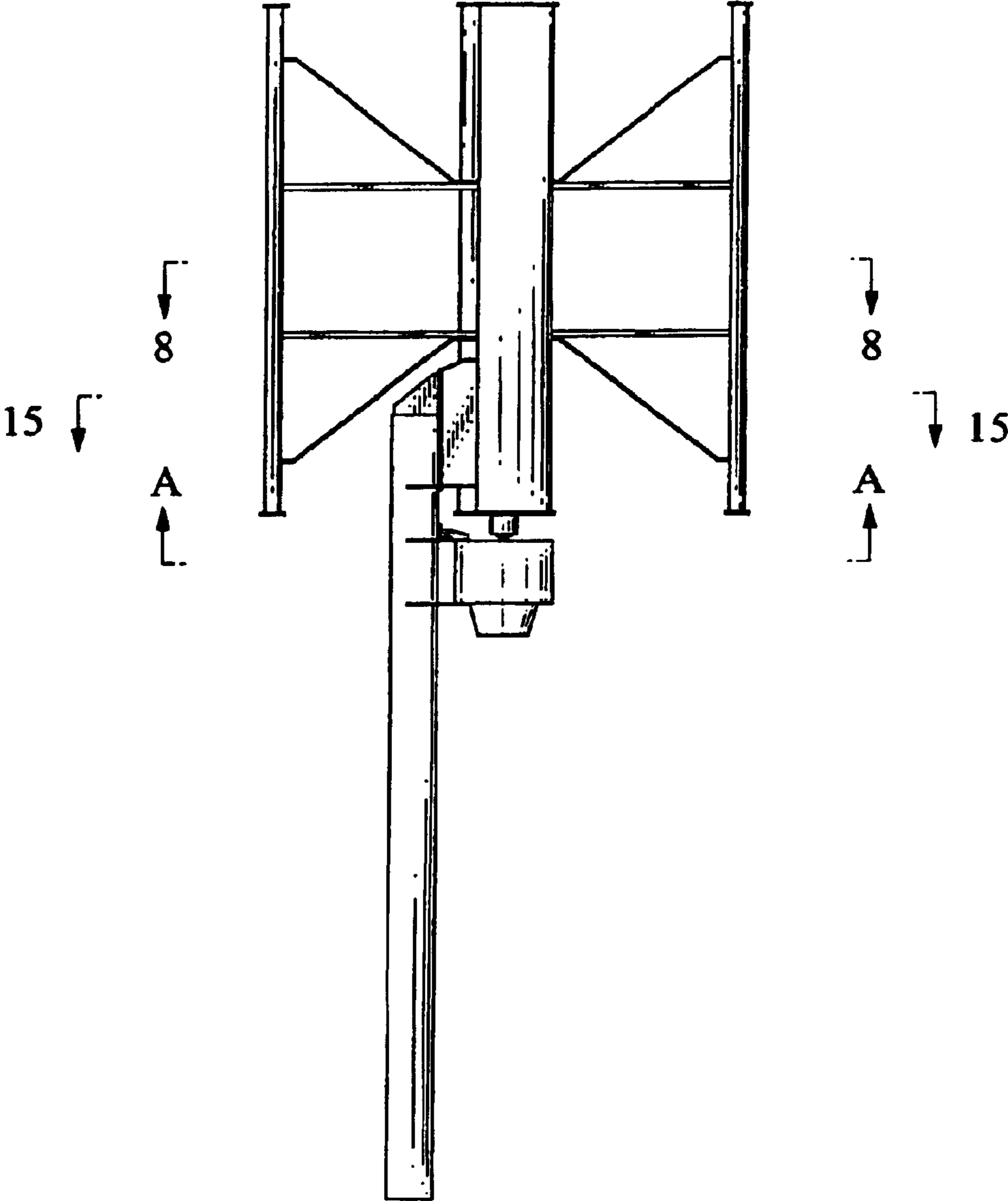


FIG. 3

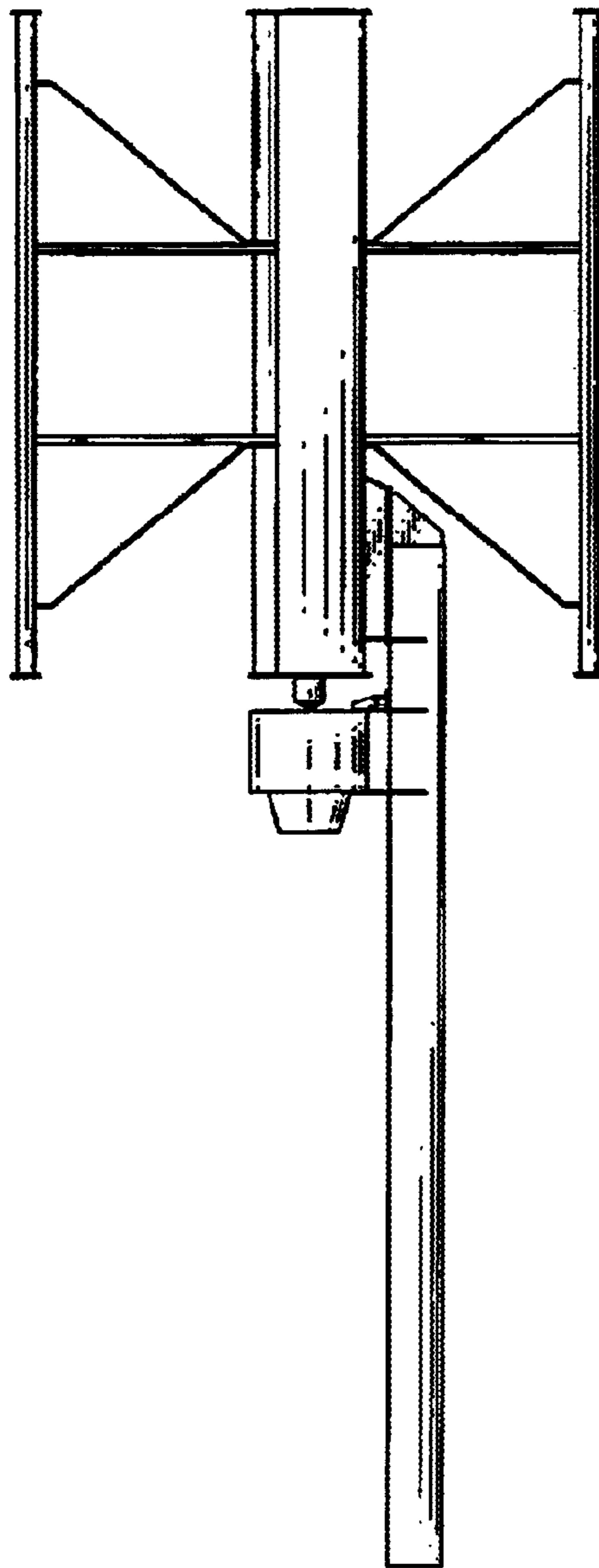


FIG. 4

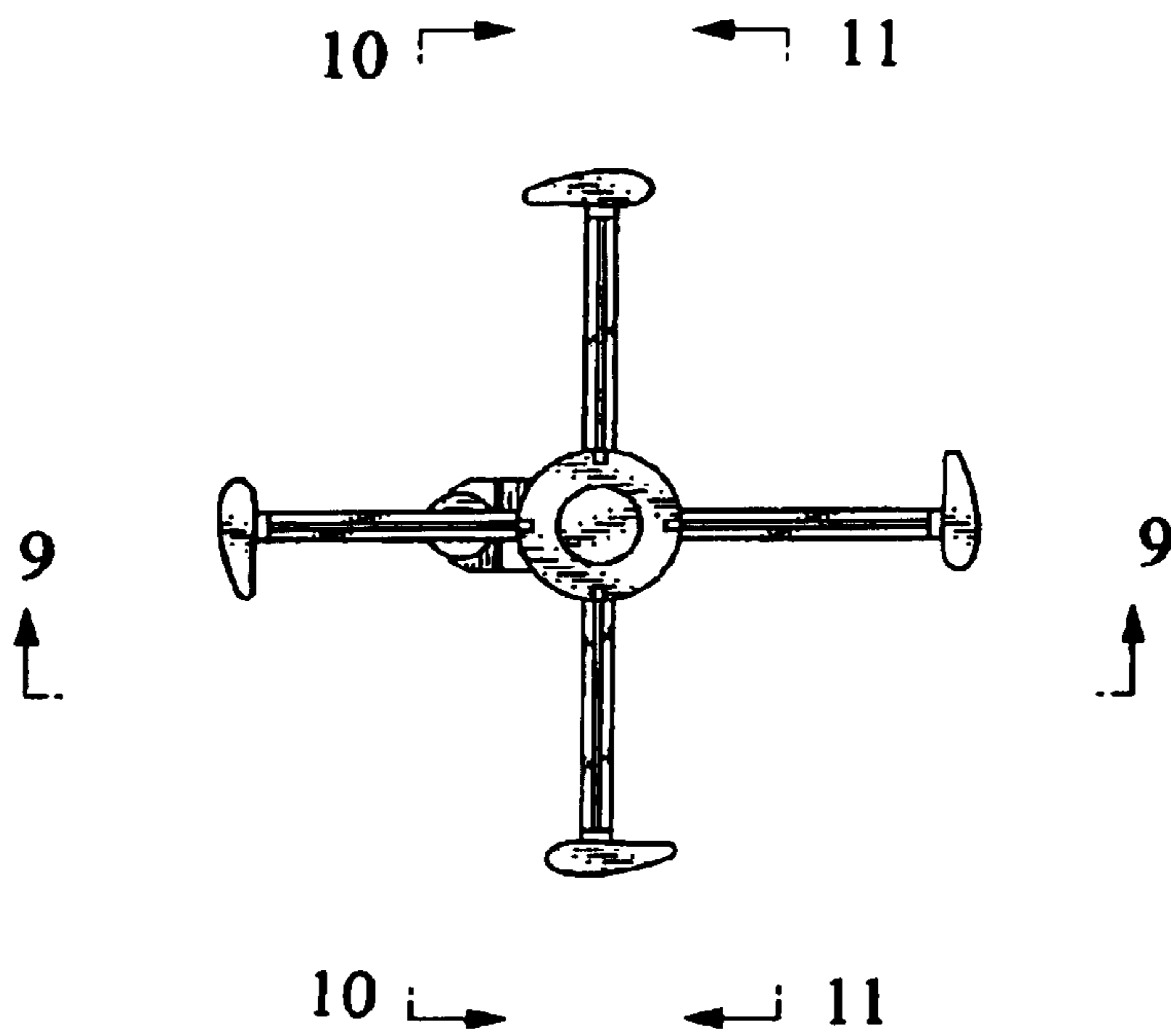


FIG. 5

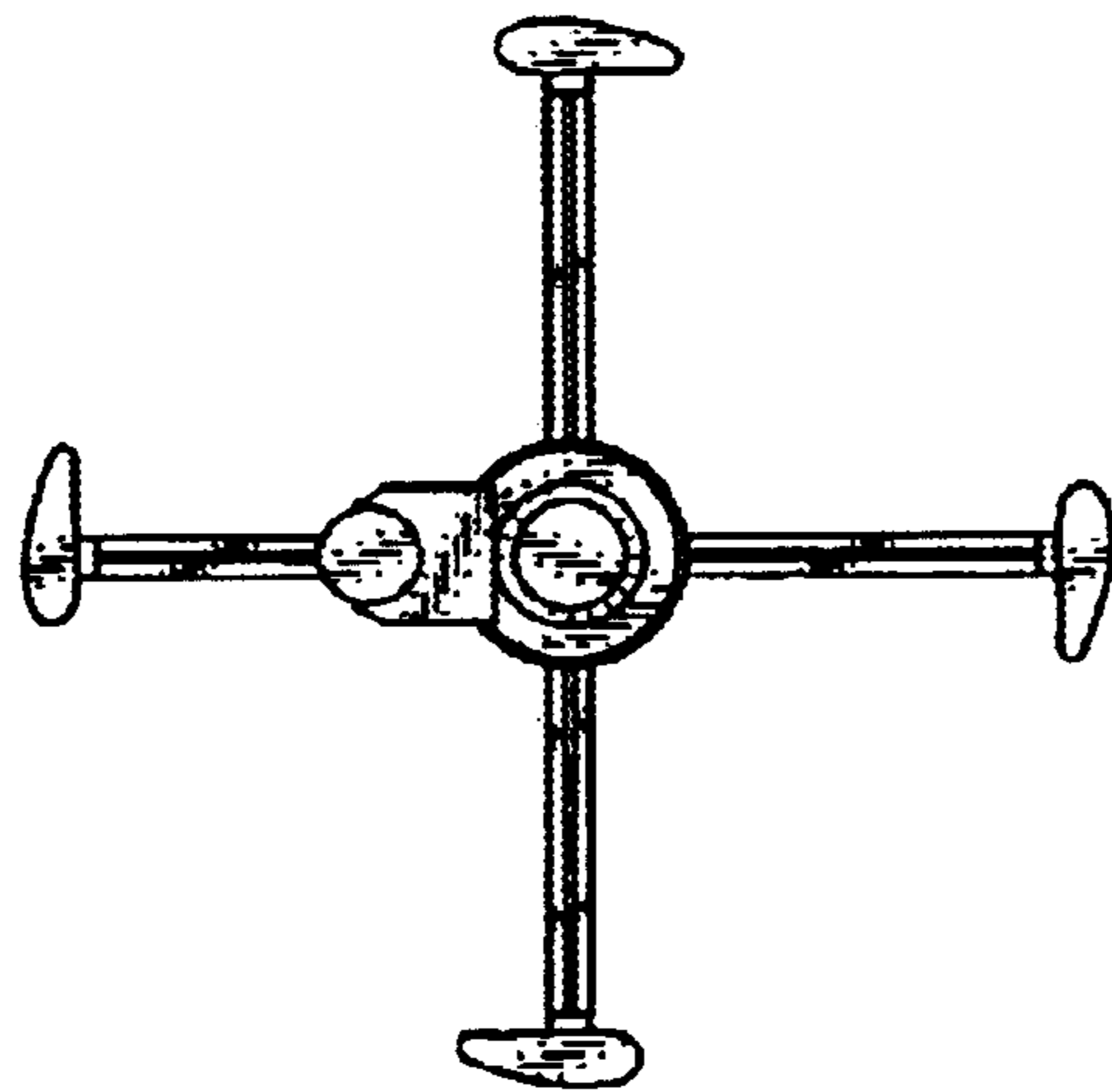


FIG. 6

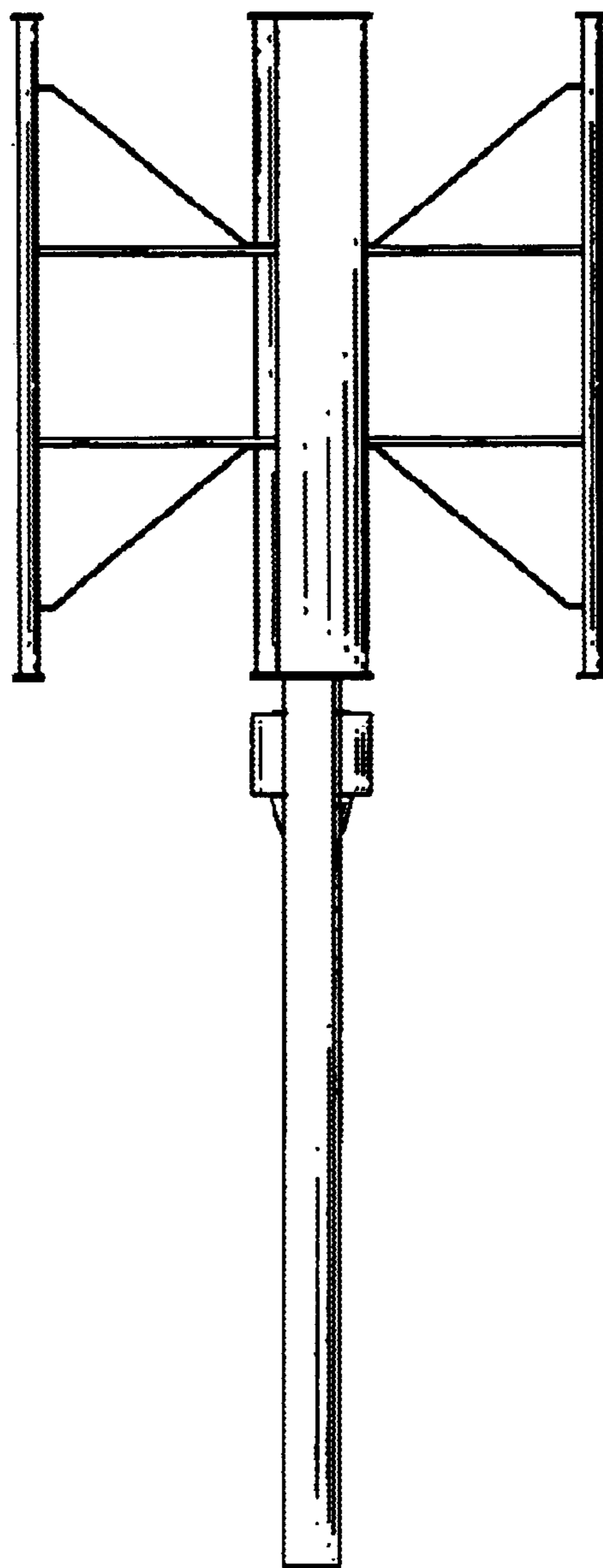


FIG. 7

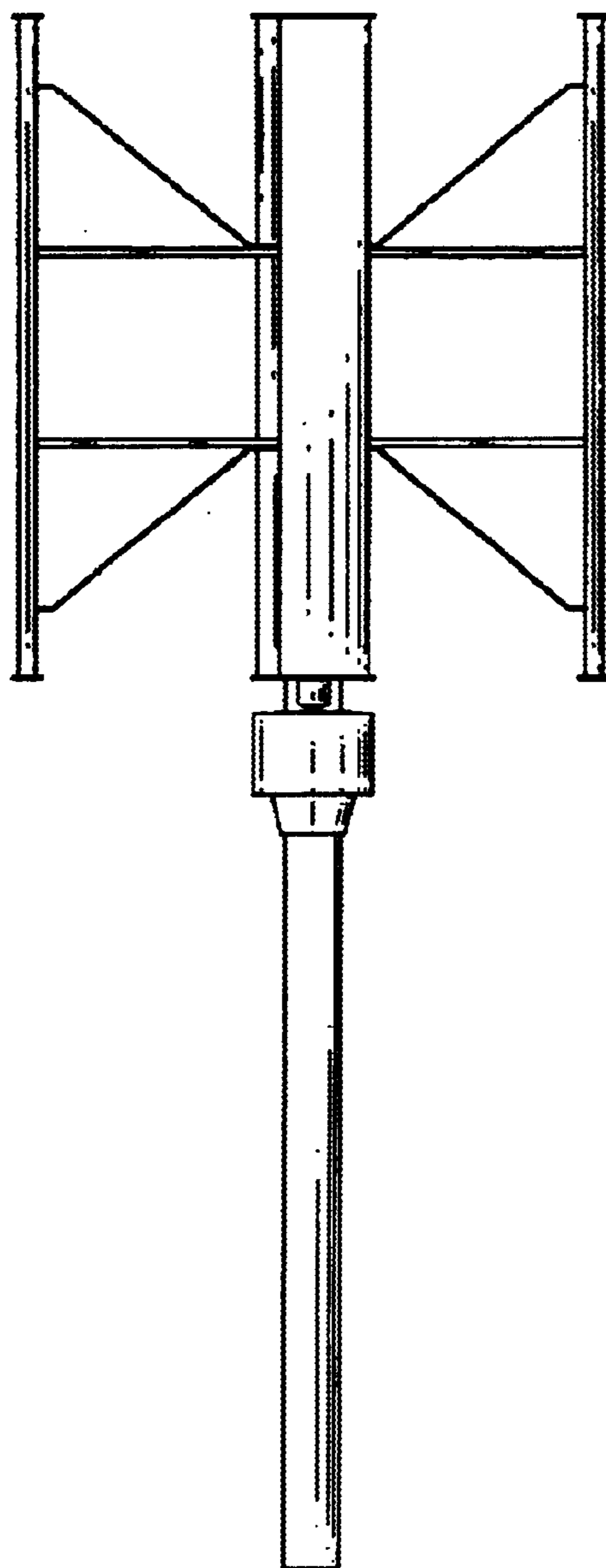


FIG. 8

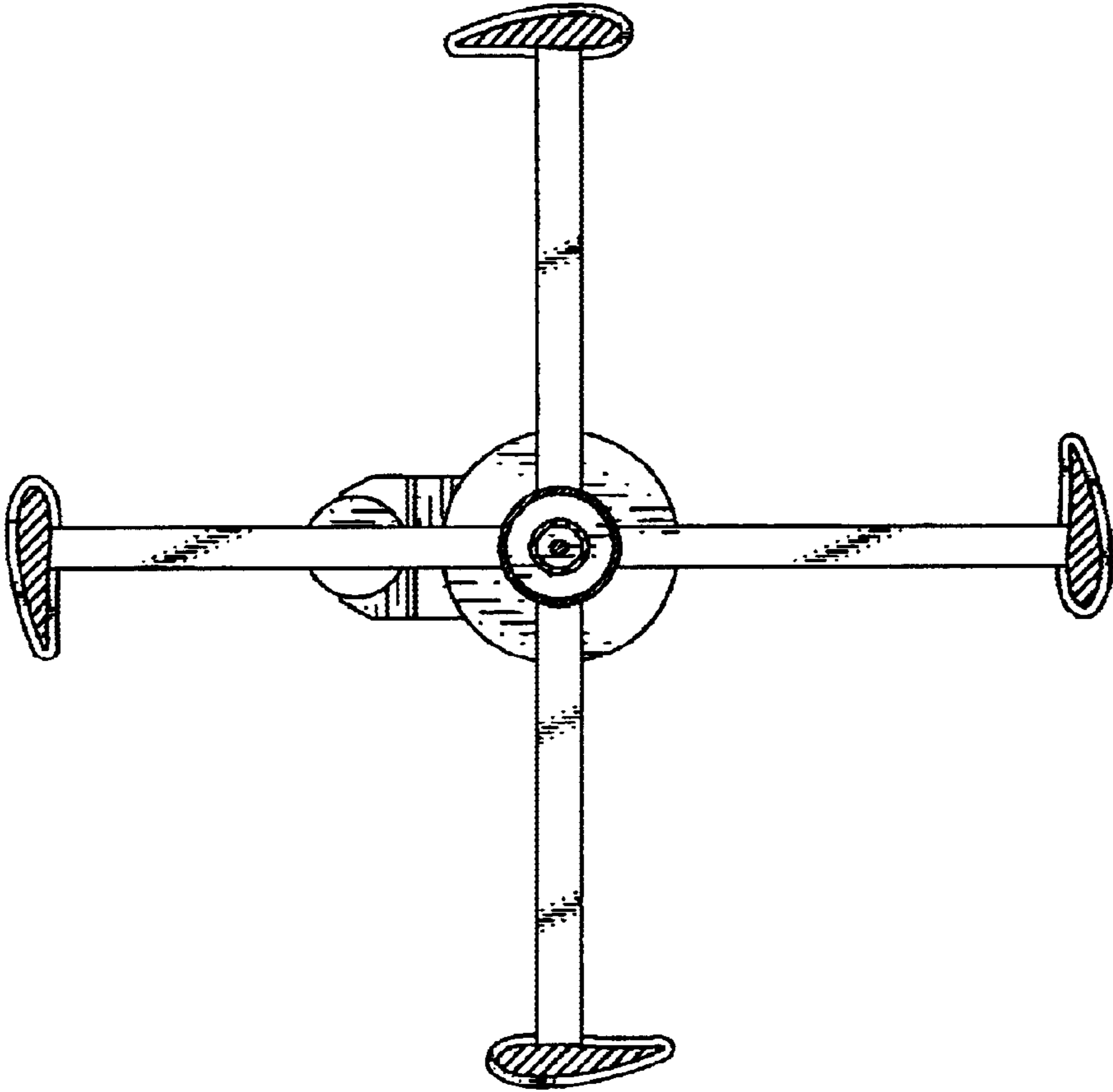


FIG. 9

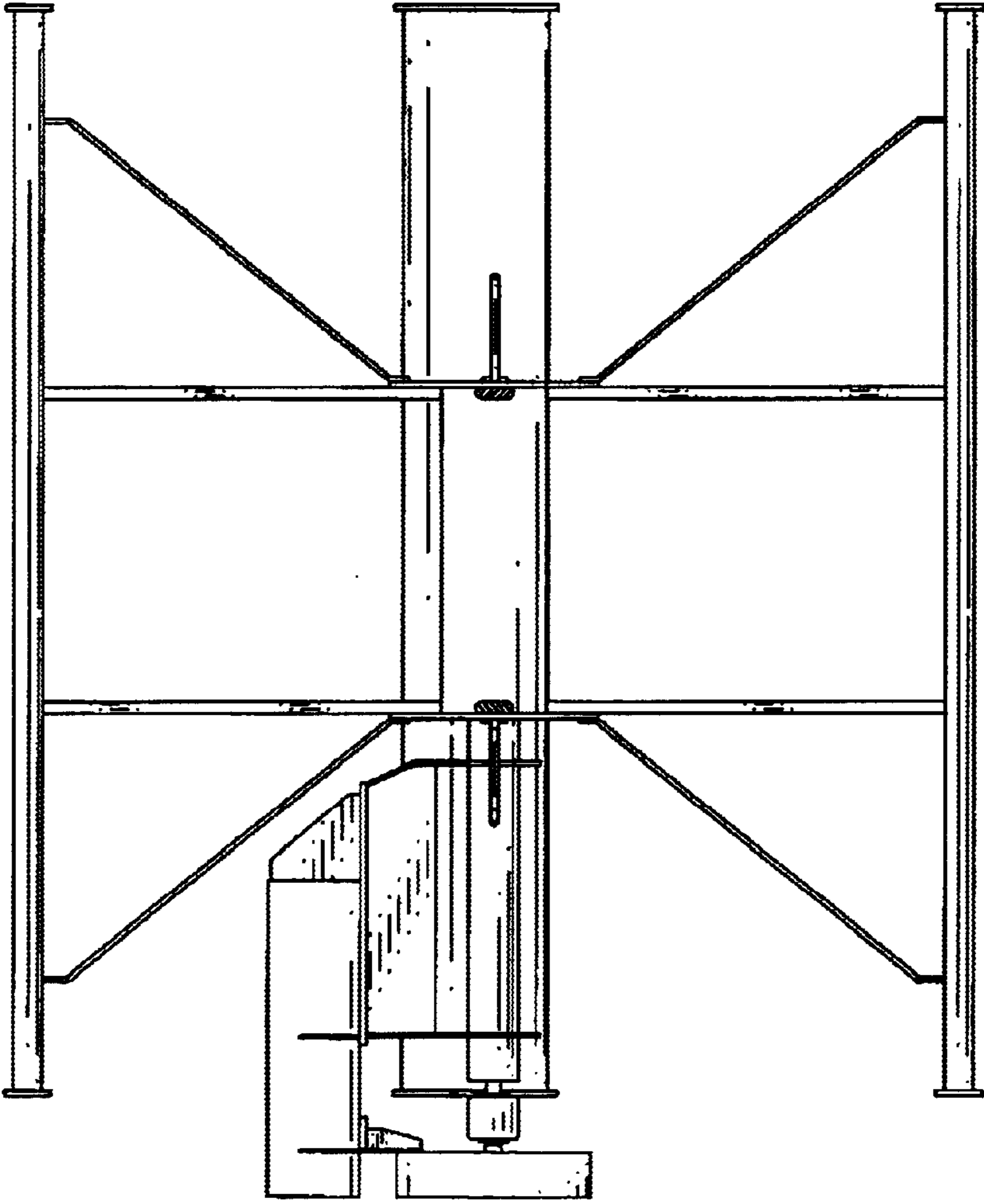


FIG. 10

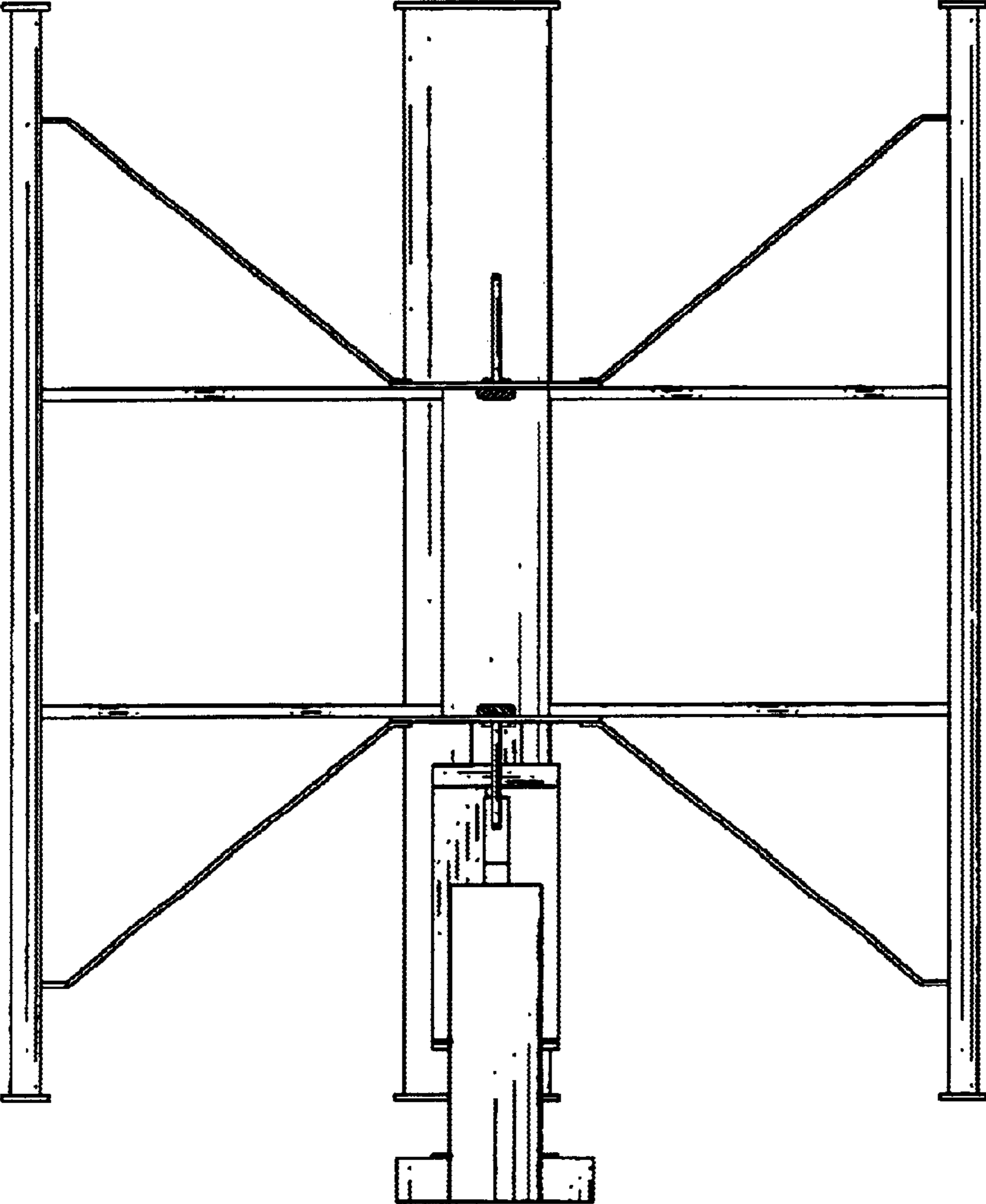


FIG. 11

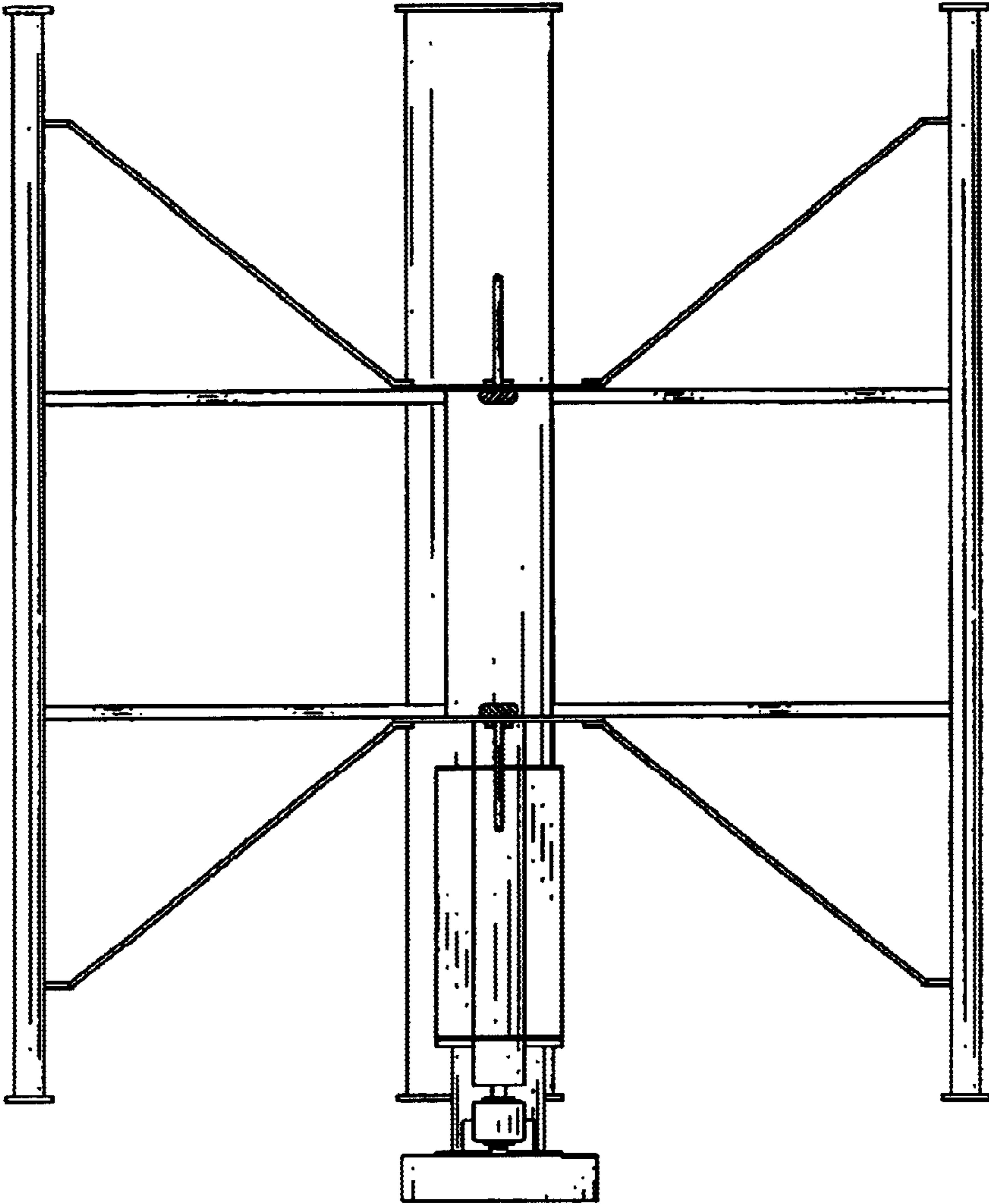


FIG. 12

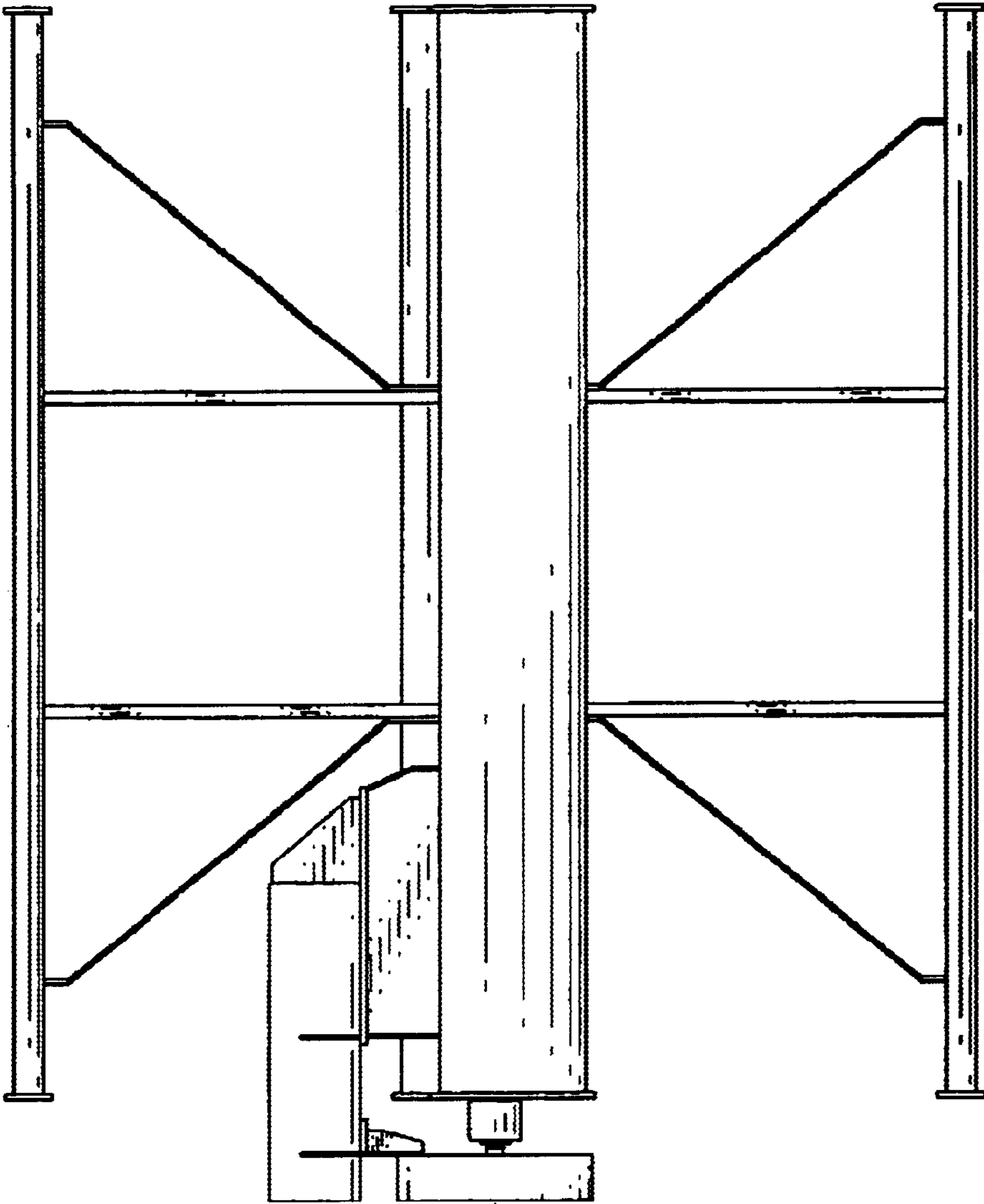


FIG. 13

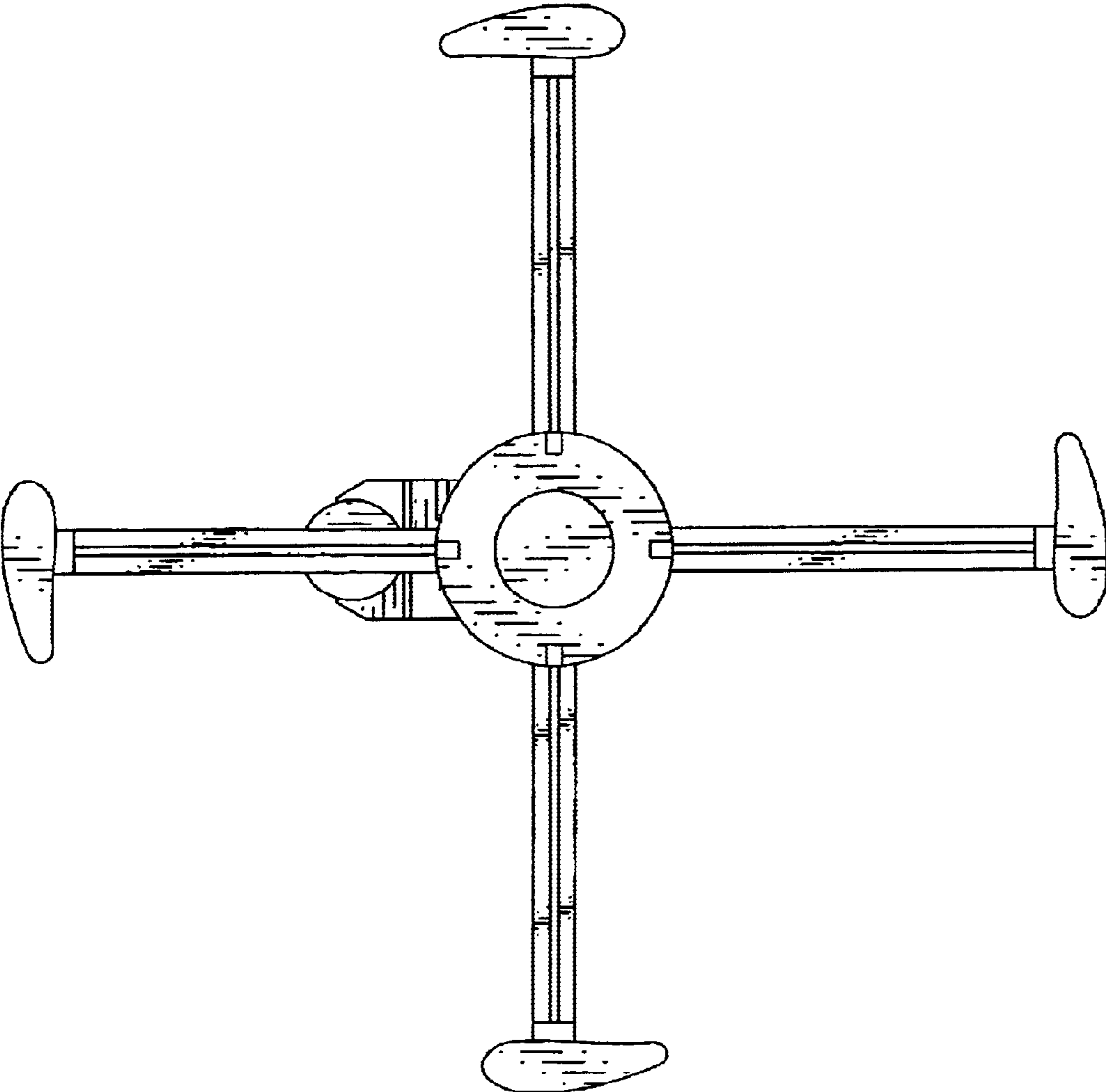


FIG. 14

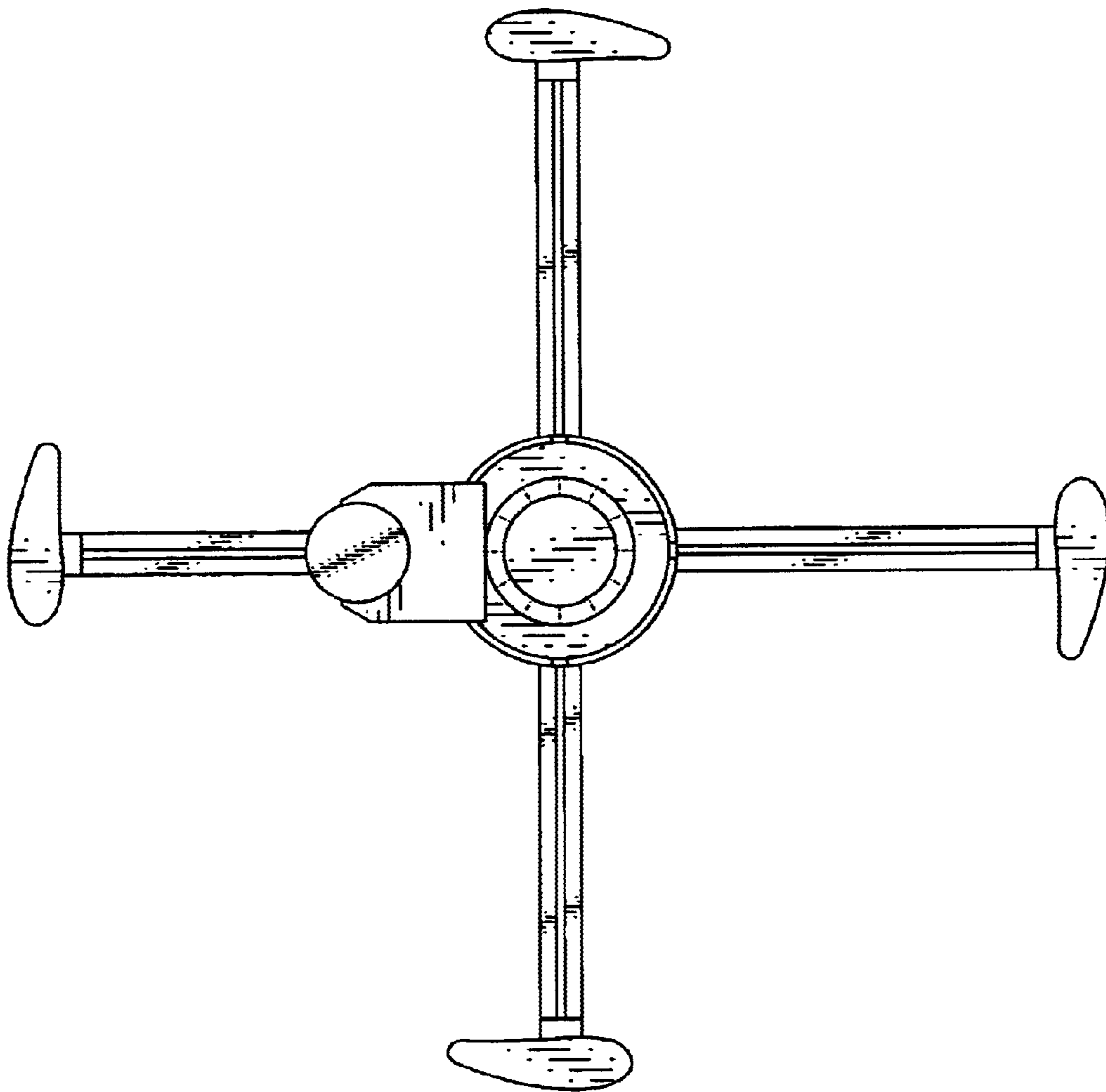


FIG. 15

