

US00D509793S

(12) **United States Design Patent**  
**Suzuki et al.**

(10) **Patent No.:** **US D509,793 S**  
(45) **Date of Patent:** **\*\* Sep. 20, 2005**

(54) **VIBRATION MOTOR**

(75) Inventors: **Toshio Suzuki**, Tokyo (JP); **Hidehiro Uchiumi**, Tokyo (JP)

(73) Assignee: **Namiki Precision Jewel Co., Ltd.**, Tokyo (JP)

(\*\*) Term: **14 Years**

(21) Appl. No.: **29/201,599**

(22) Filed: **Mar. 16, 2004**

(51) **LOC (8) Cl.** ..... **13-01**

(52) **U.S. Cl.** ..... **D13/114; D13/112**

(58) **Field of Search** ..... D13/112-114,  
D13/118, 184, 199; 310/15, 27, 29, 80-81,  
248; 433/118, 125

(56) **References Cited**

**U.S. PATENT DOCUMENTS**

4,335,323	A	*	6/1982	Kebbon et al.	.....	310/40 R
D372,457	S	*	8/1996	Okuyama et al.	.....	D13/112
5,909,074	A	*	6/1999	Takaya et al.	.....	310/81
5,952,745	A	*	9/1999	Yasuda	.....	310/40 MM
6,081,055	A	*	6/2000	Narusawa	.....	310/81
6,133,657	A	*	10/2000	Semenik et al.	.....	310/81
6,227,901	B1	*	5/2001	Pupkiewicz et al.	.....	439/500
6,271,610	B1	*	8/2001	Ibata et al.	.....	310/81
6,323,757	B1	*	11/2001	Nagai	.....	340/407.1

D464,621	S	*	10/2002	Segawa	.....	D13/112
2002/0158528	A1	*	10/2002	Tsuzaki et al.	.....	310/81

**FOREIGN PATENT DOCUMENTS**

JP	2002-44904	2/2002
JP	1189826	11/2003

\* cited by examiner

*Primary Examiner*—Stella Reid  
*Assistant Examiner*—Daniel Bui  
(74) *Attorney, Agent, or Firm*—Alston & Bird LLP

(57) **CLAIM**

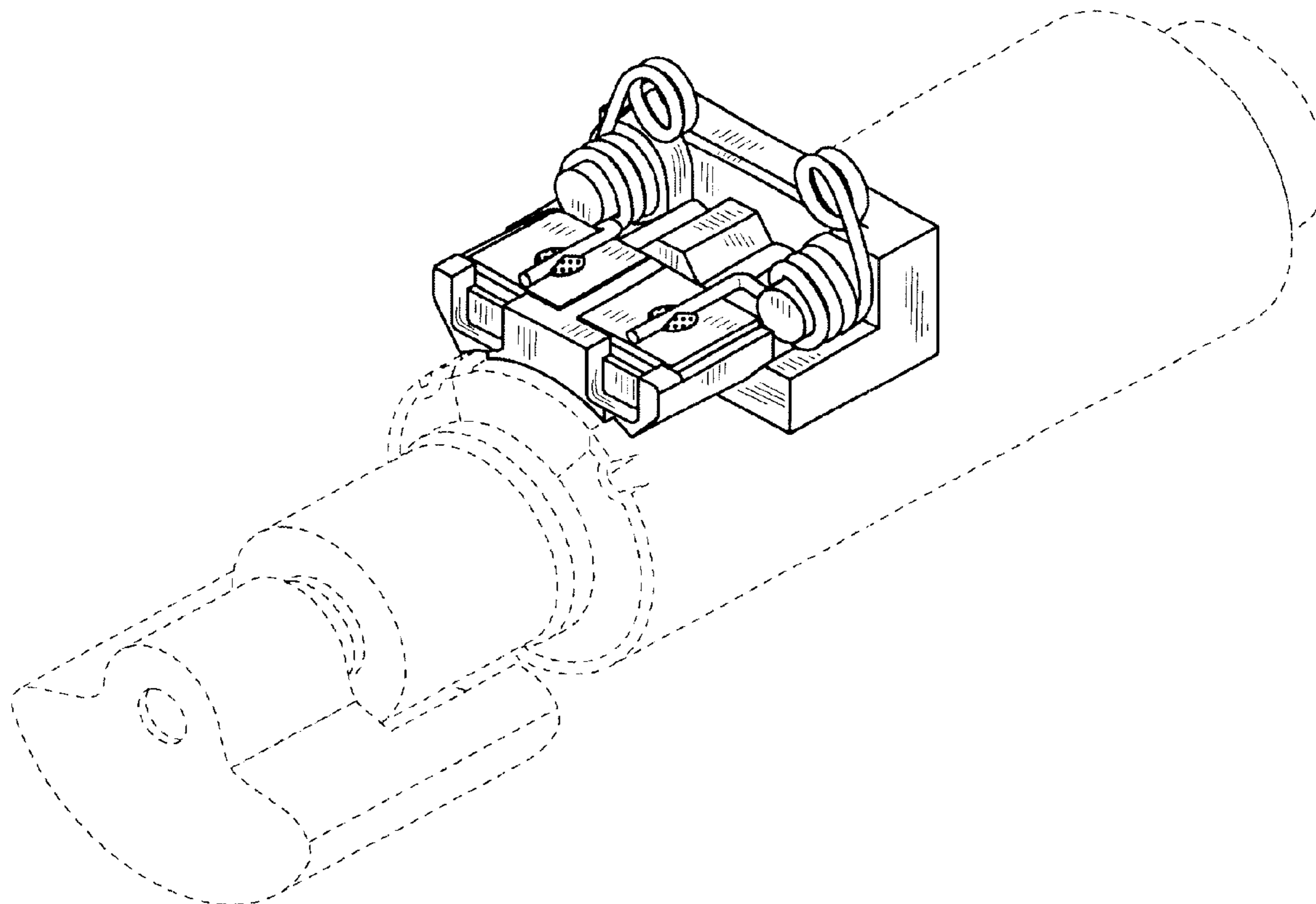
The ornamental design for a vibration motor, as shown and described.

**DESCRIPTION**

FIG. 1 is a perspective view of a vibration motor, showing our new design;  
FIG. 2 is a front elevational view thereof;  
FIG. 3 is a rear elevational view thereof;  
FIG. 4 is a left side elevational view thereof;  
FIG. 5 is a right side elevational view thereof;  
FIG. 6 is a top plan view thereof; and,  
FIG. 7 is a bottom plan view thereof.

The broken line showing of the environment is for illustrative purposes only and forms no part of the claimed design.

**1 Claim, 3 Drawing Sheets**



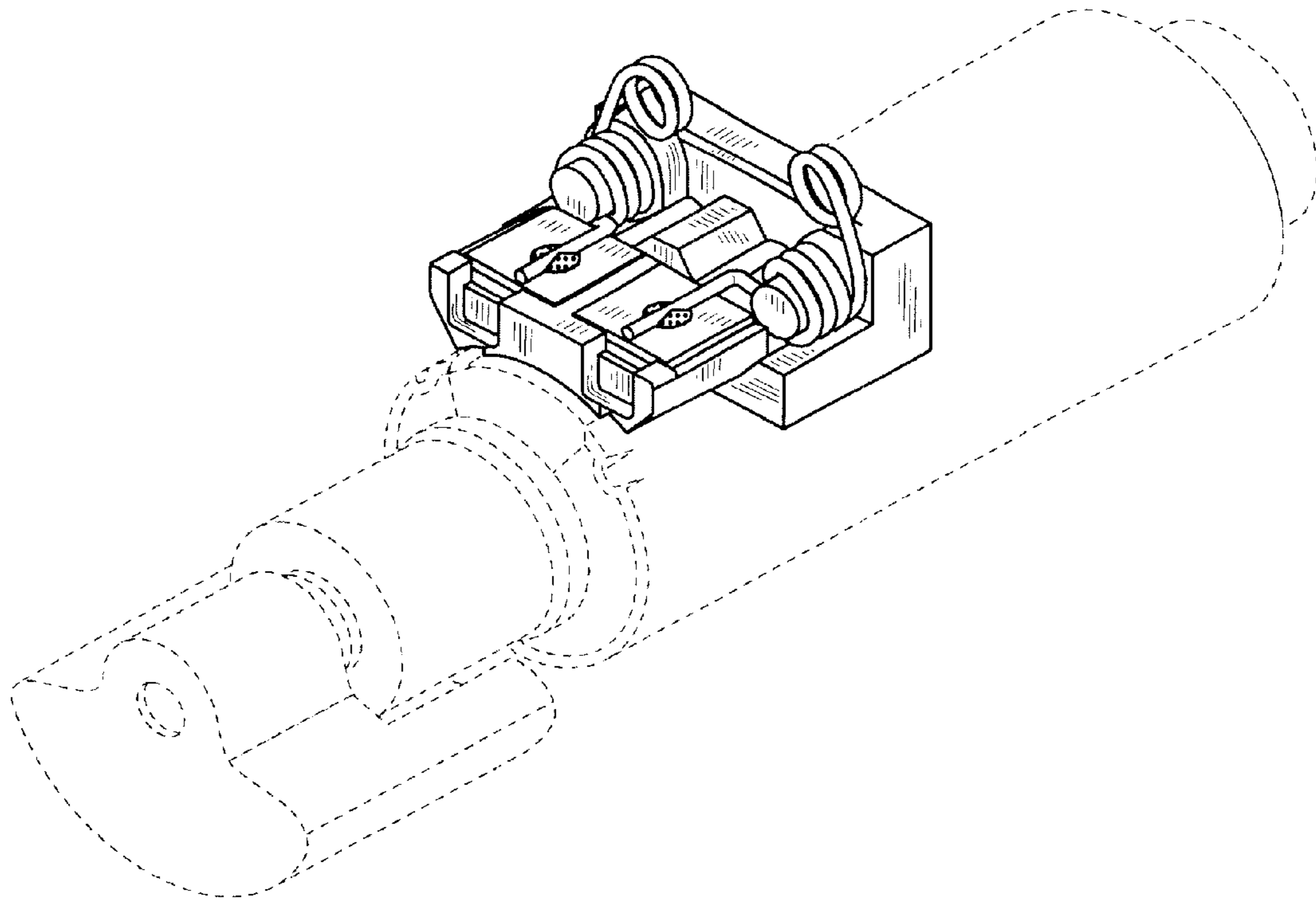


FIG. 1

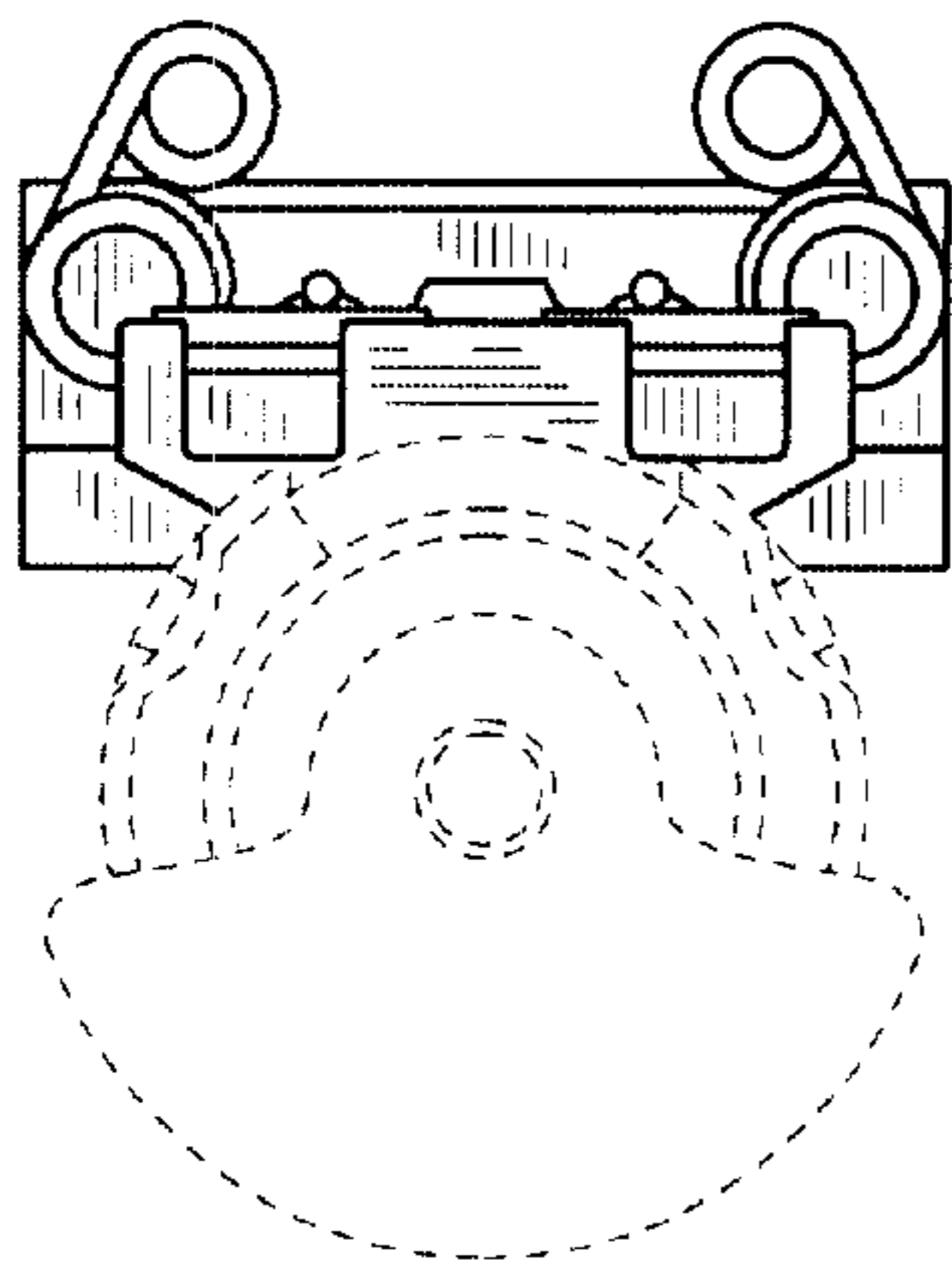


FIG. 2

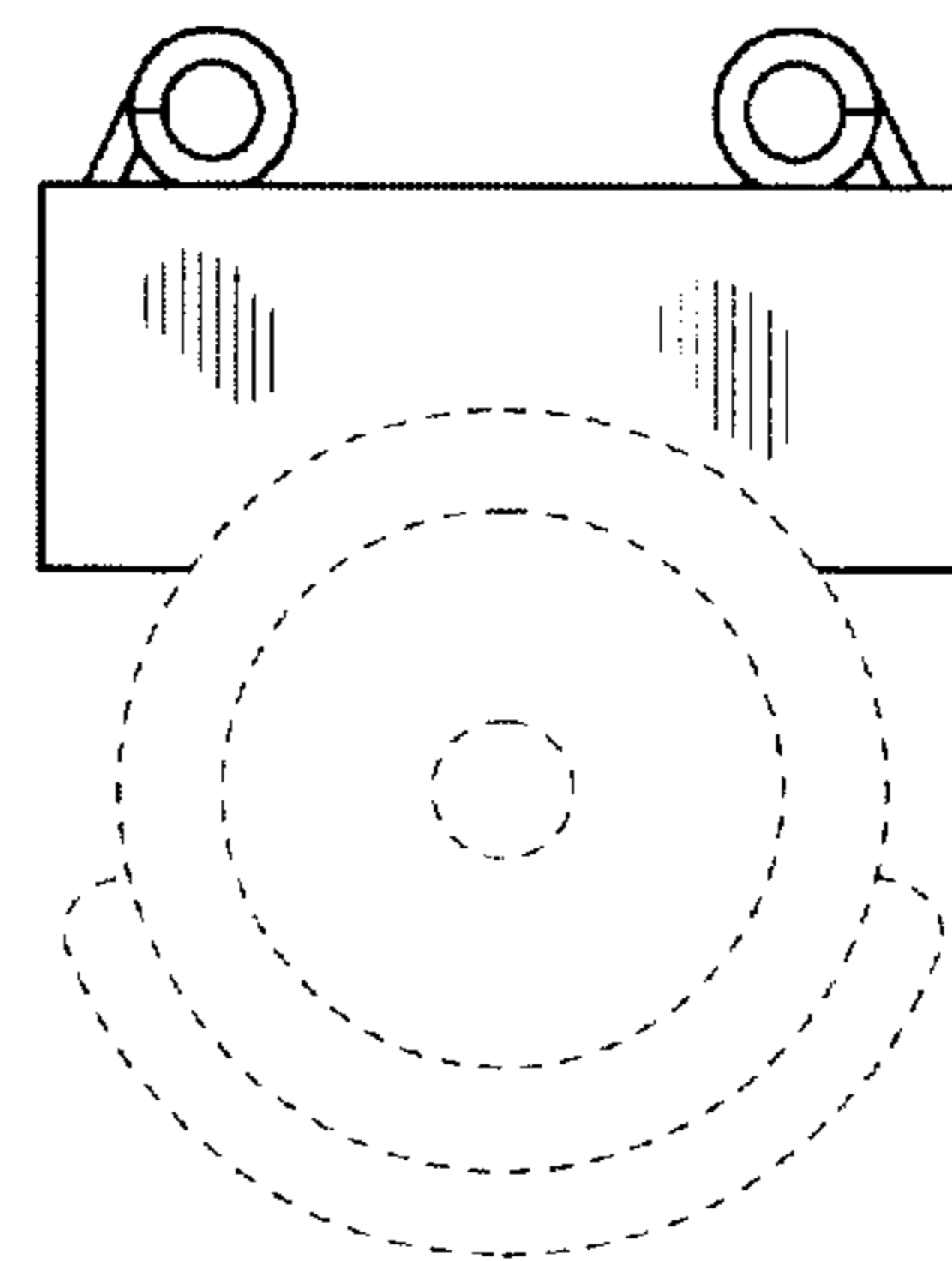


FIG. 3

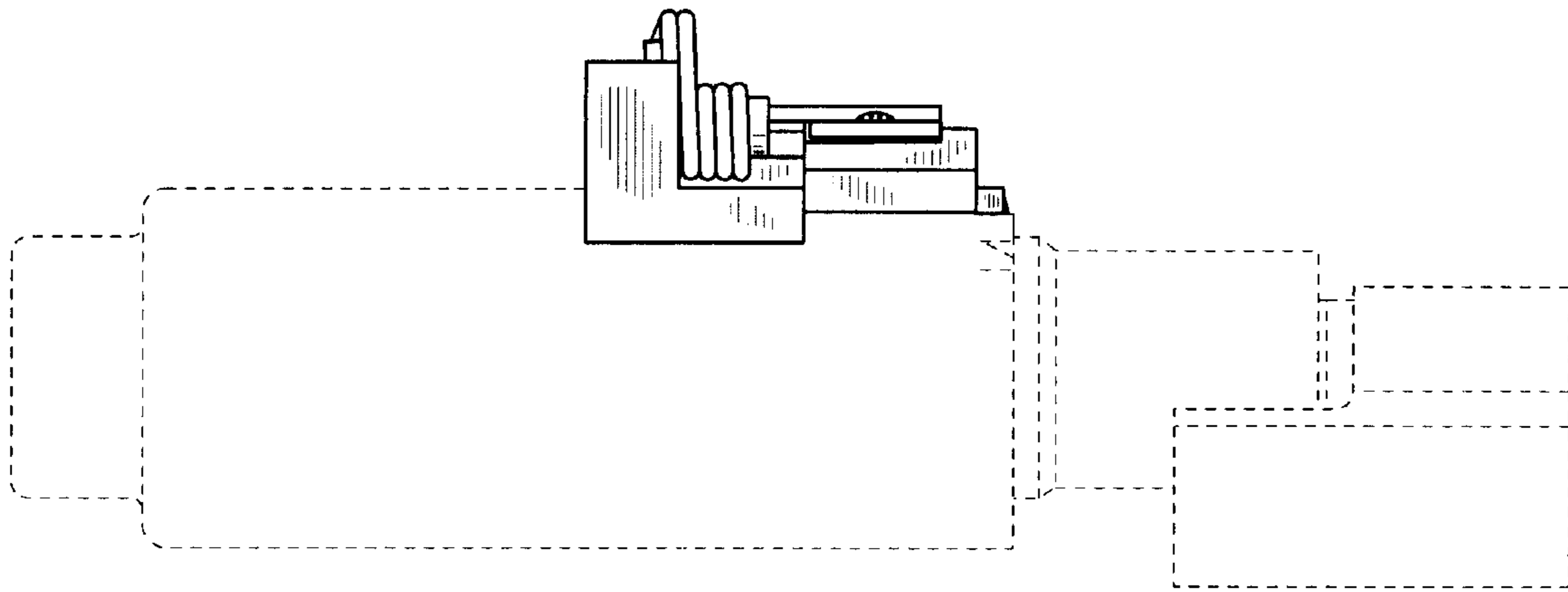


FIG. 4

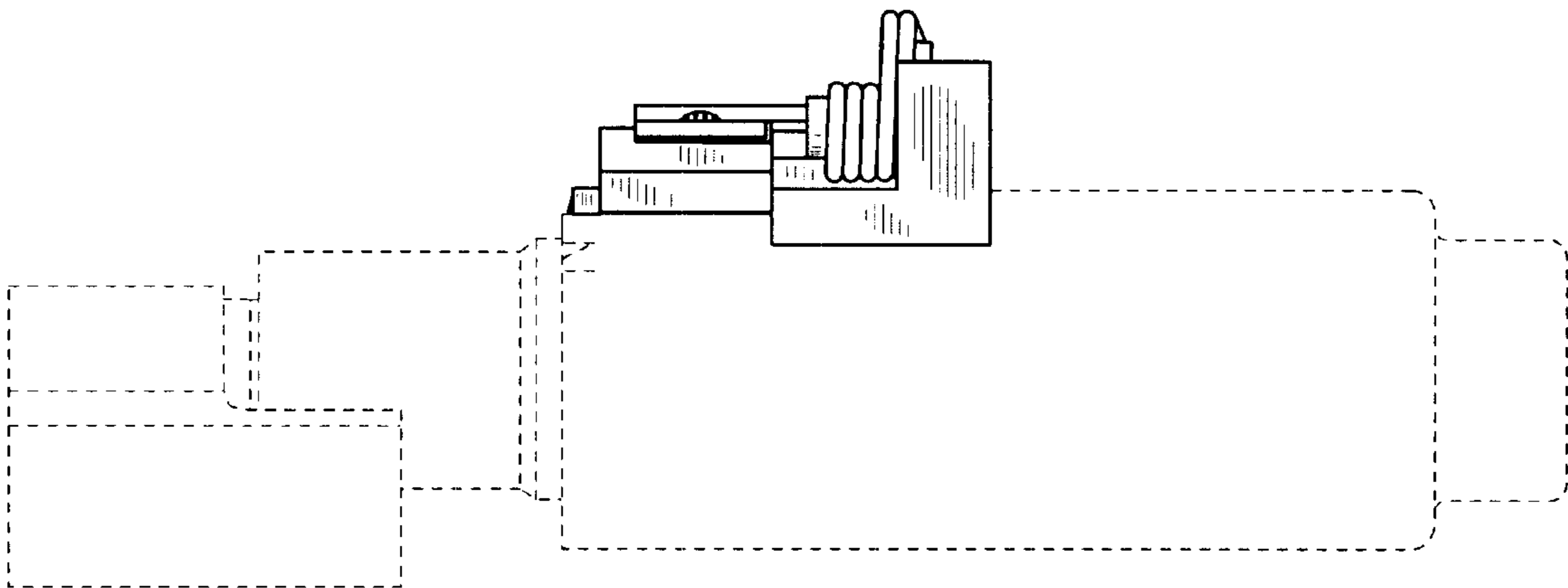


FIG. 5

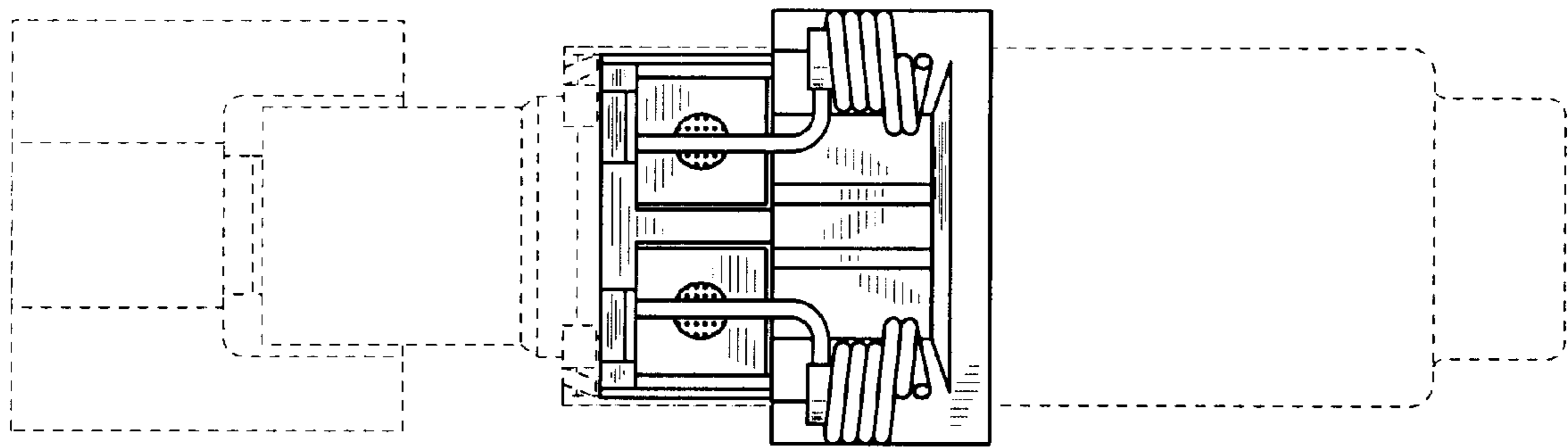


FIG. 6

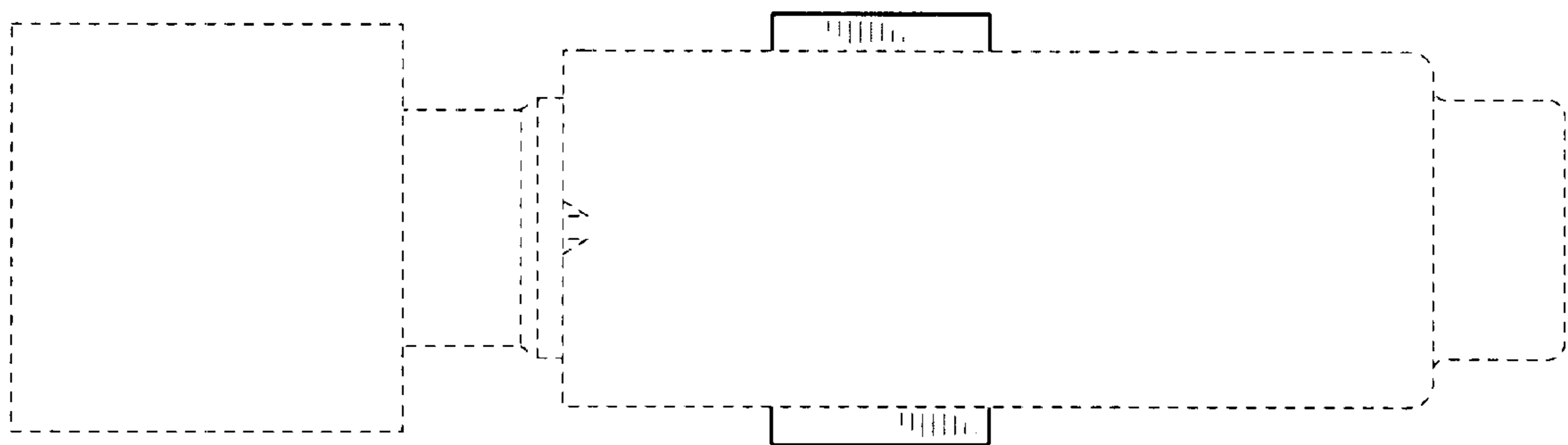


FIG. 7