



US00D509790S

(12) **United States Design Patent**
Sakai

(10) **Patent No.: US D509,790 S**

(45) **Date of Patent: ** Sep. 20, 2005**

(54) **BATTERY CHARGER FOR ELECTRONIC CAMERA**

(75) **Inventor: Masayuki Sakai, Tokyo (JP)**

(73) **Assignee: Fuji Photo Film Co., Ltd., Kanagawa (JP)**

(**) **Term: 14 Years**

(21) **Appl. No.: 29/218,358**

(22) **Filed: Dec. 2, 2004**

(30) **Foreign Application Priority Data**

Jun. 4, 2004 (JP) 2004-016672

(51) **LOC (8) Cl. 13-02**

(52) **U.S. Cl. D13/108**

(58) **Field of Search** D13/107-110,
D13/118-119, 184; D14/251, 253; D16/219,
237, 242; 320/107-115

(56) **References Cited**

U.S. PATENT DOCUMENTS

D277,662 S	*	2/1985	Huntington et al.	D13/107
D281,064 S	*	10/1985	Scheid	D13/107
D297,827 S	*	9/1988	Lay	D13/108
D307,016 S	*	4/1990	Watanabe	D14/240
D349,125 S	*	7/1994	Wilson et al.	D16/208

D390,824 S	*	2/1998	Foster et al.	D13/108
D404,357 S	*	1/1999	Foster et al.	D13/108
D472,896 S	*	4/2003	Peiker	D14/253
D474,737 S	*	5/2003	Yoshida	D13/108
D483,052 S	*	12/2003	Utsunomiya	D16/242
D488,440 S	*	4/2004	Senda	D13/108
D489,323 S	*	5/2004	Yoshida	D13/108

* cited by examiner

Primary Examiner—Alan P. Douglas

Assistant Examiner—Rosemary Tarcza

(74) *Attorney, Agent, or Firm*—Young & Thompson

(57) **CLAIM**

The ornamental design for a battery charger for electronic camera, as shown.

DESCRIPTION

FIG. 1 is a top, front and side perspective view of a battery charger for electronic camera, showing my new design;
 FIG. 2 is a front elevational view thereof;
 FIG. 3 is a rear elevational view thereof;
 FIG. 4 is a top plan view thereof;
 FIG. 5 is a bottom plan view thereof;
 FIG. 6 is a side elevational view thereof from the left of FIG. 2; and,
 FIG. 7 is a side elevational view thereof from the right of FIG. 2.

1 Claim, 4 Drawing Sheets

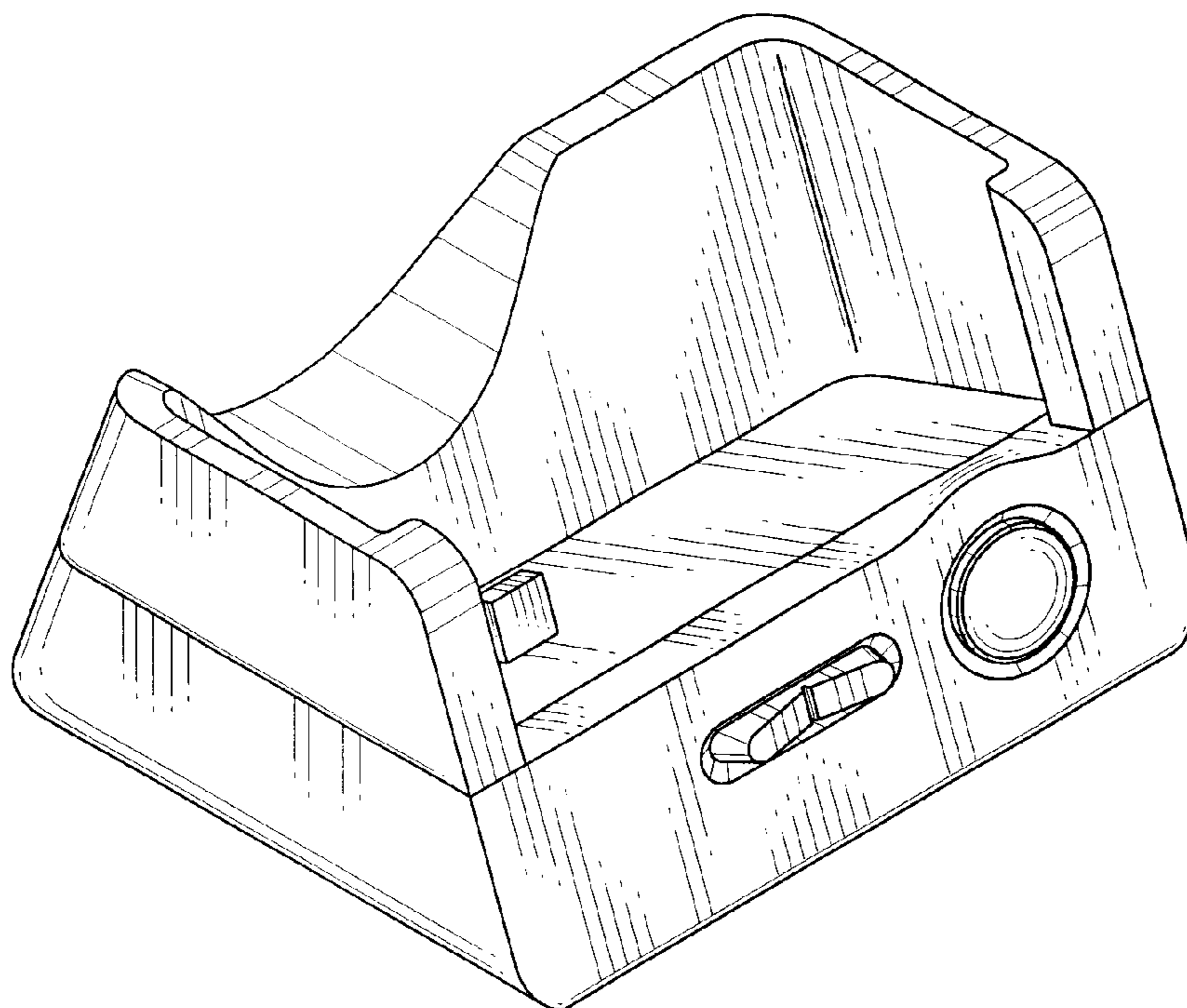


FIG. 1

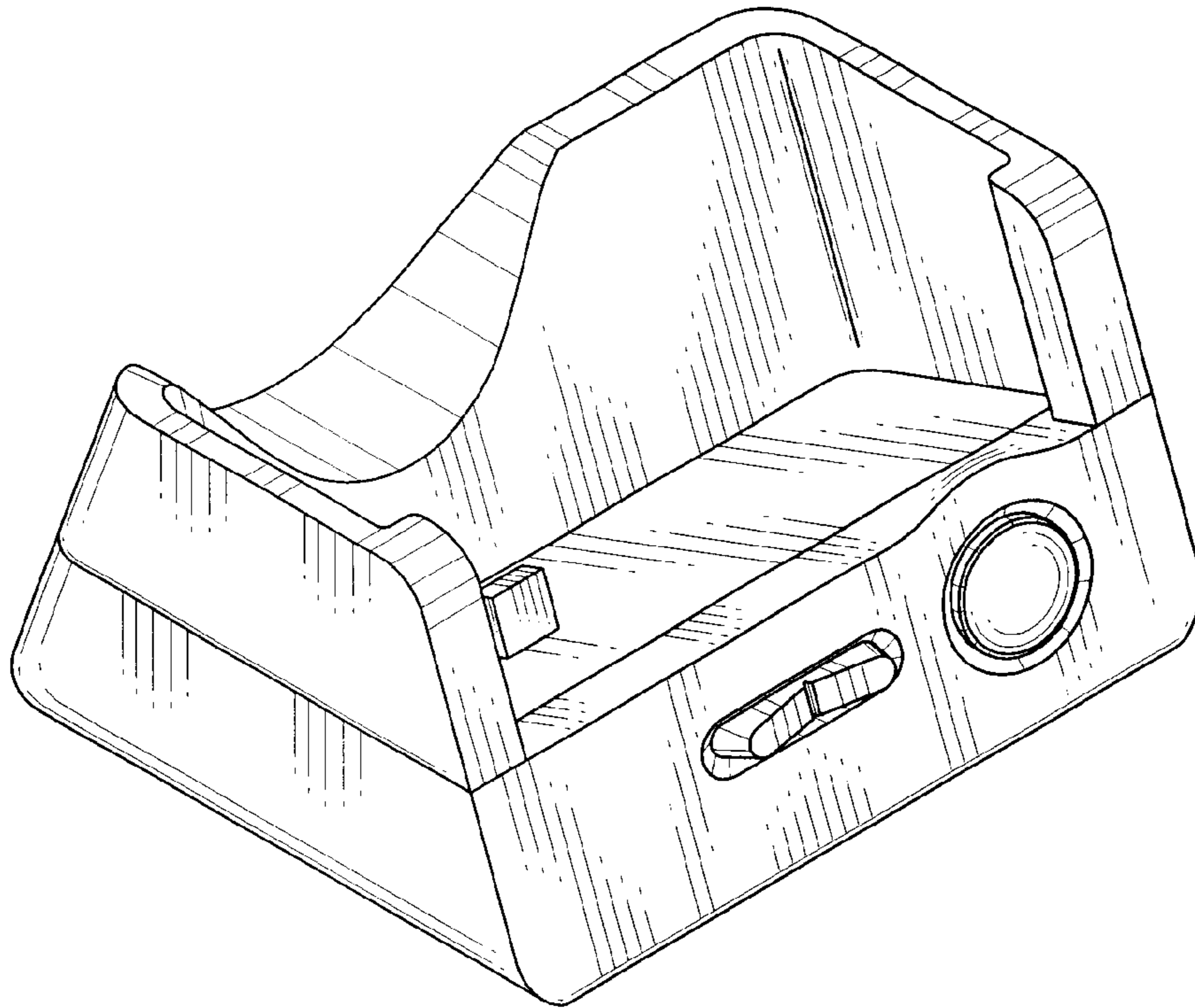


FIG. 2

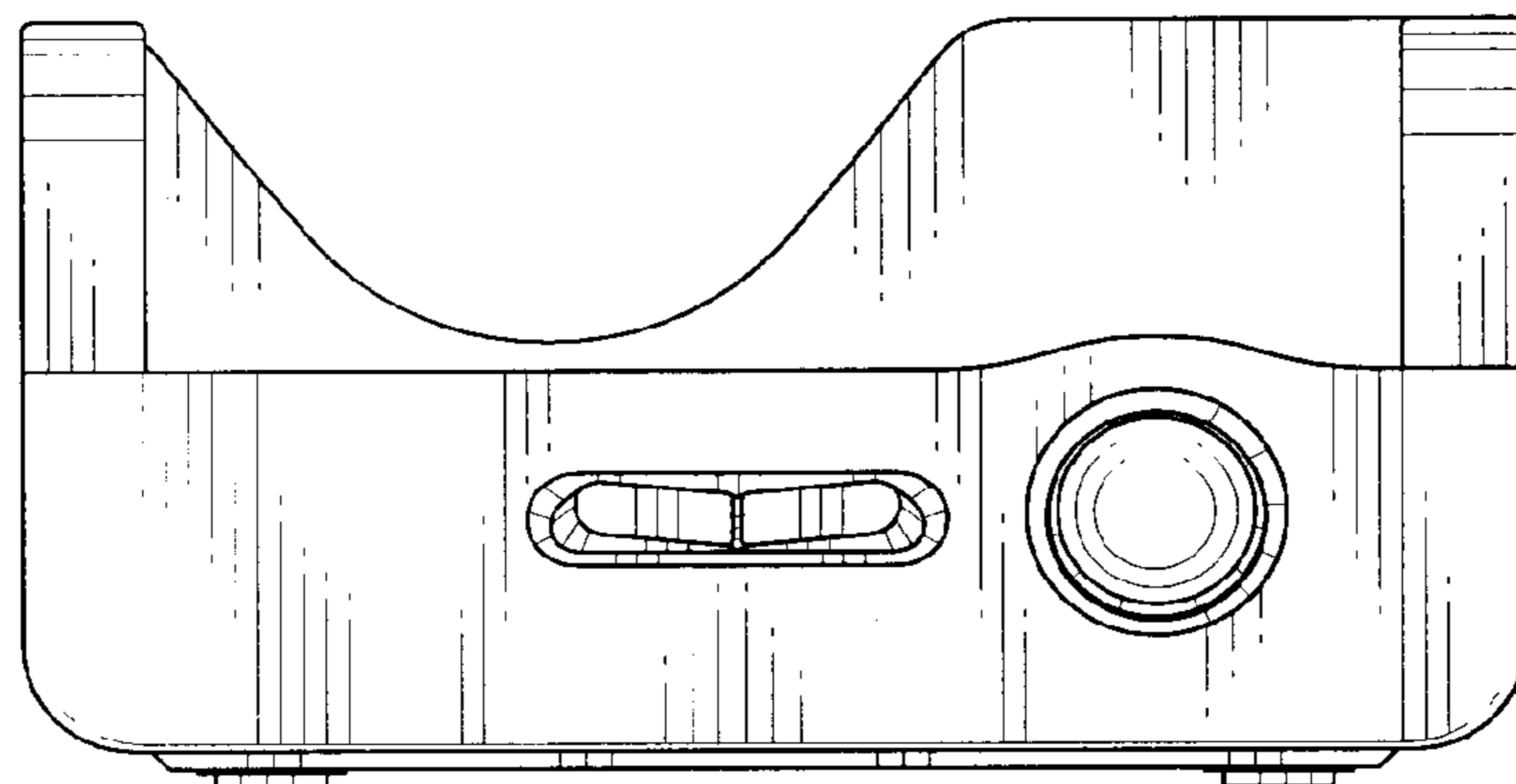


FIG.3

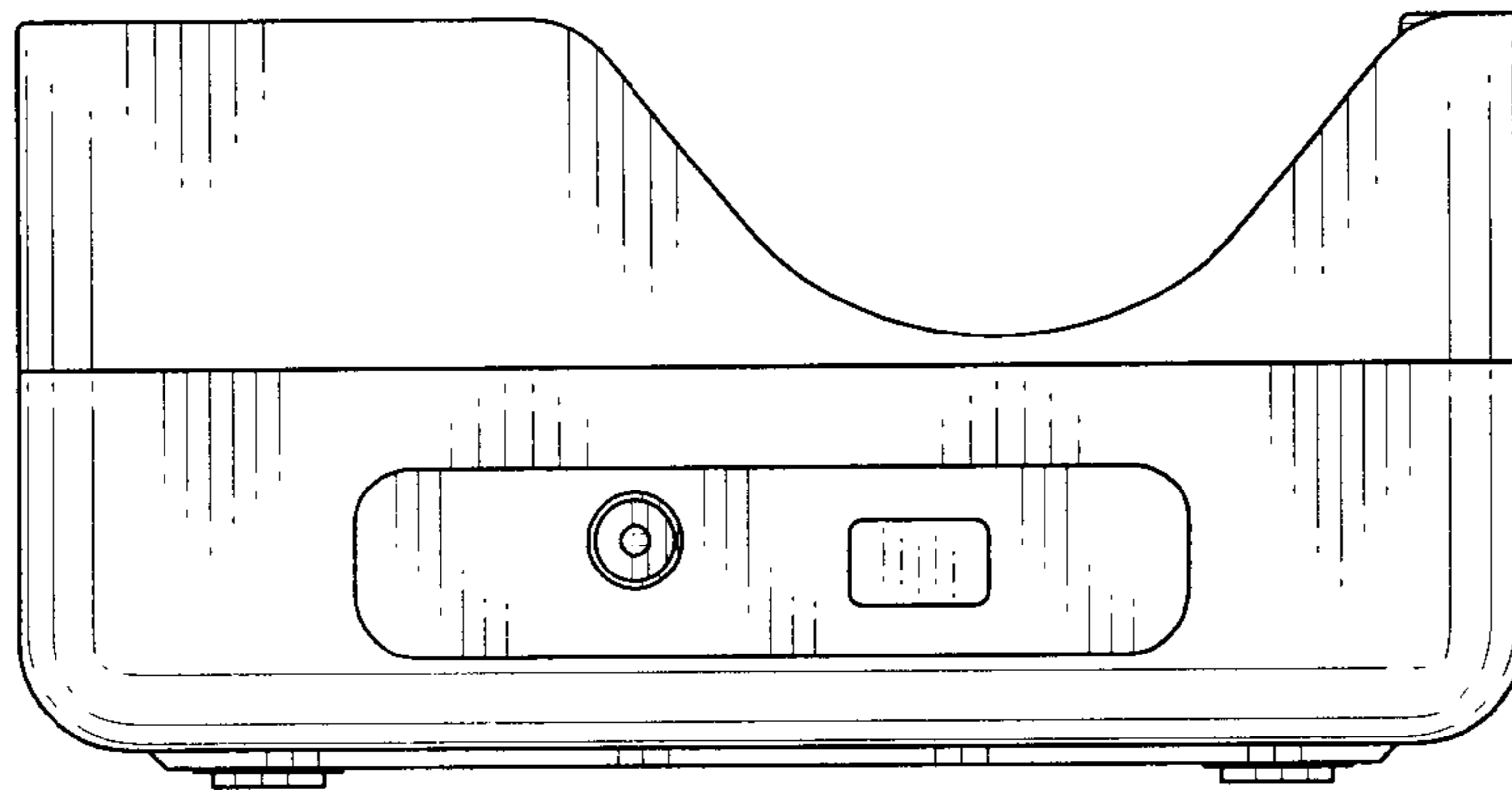


FIG.4

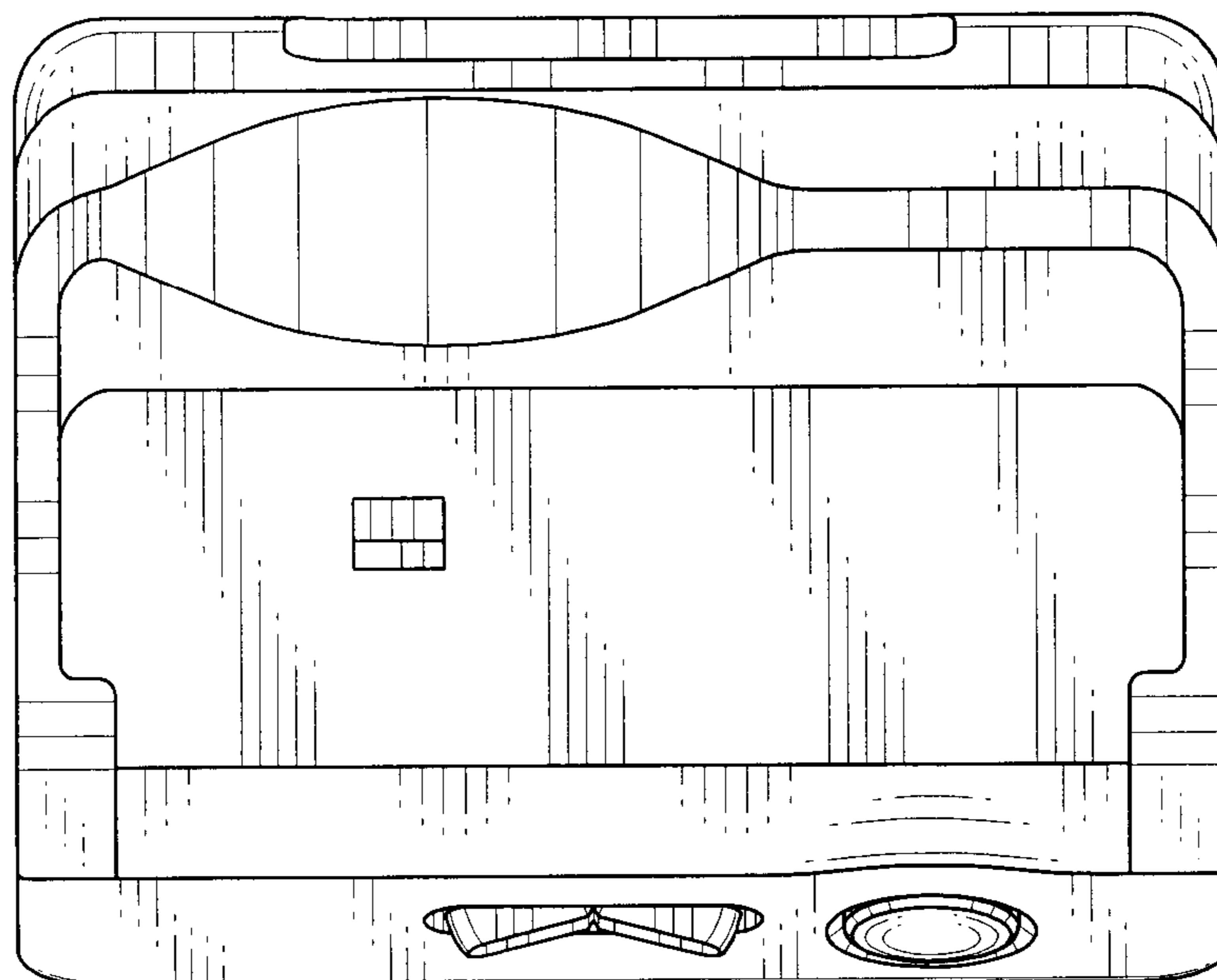


FIG. 5

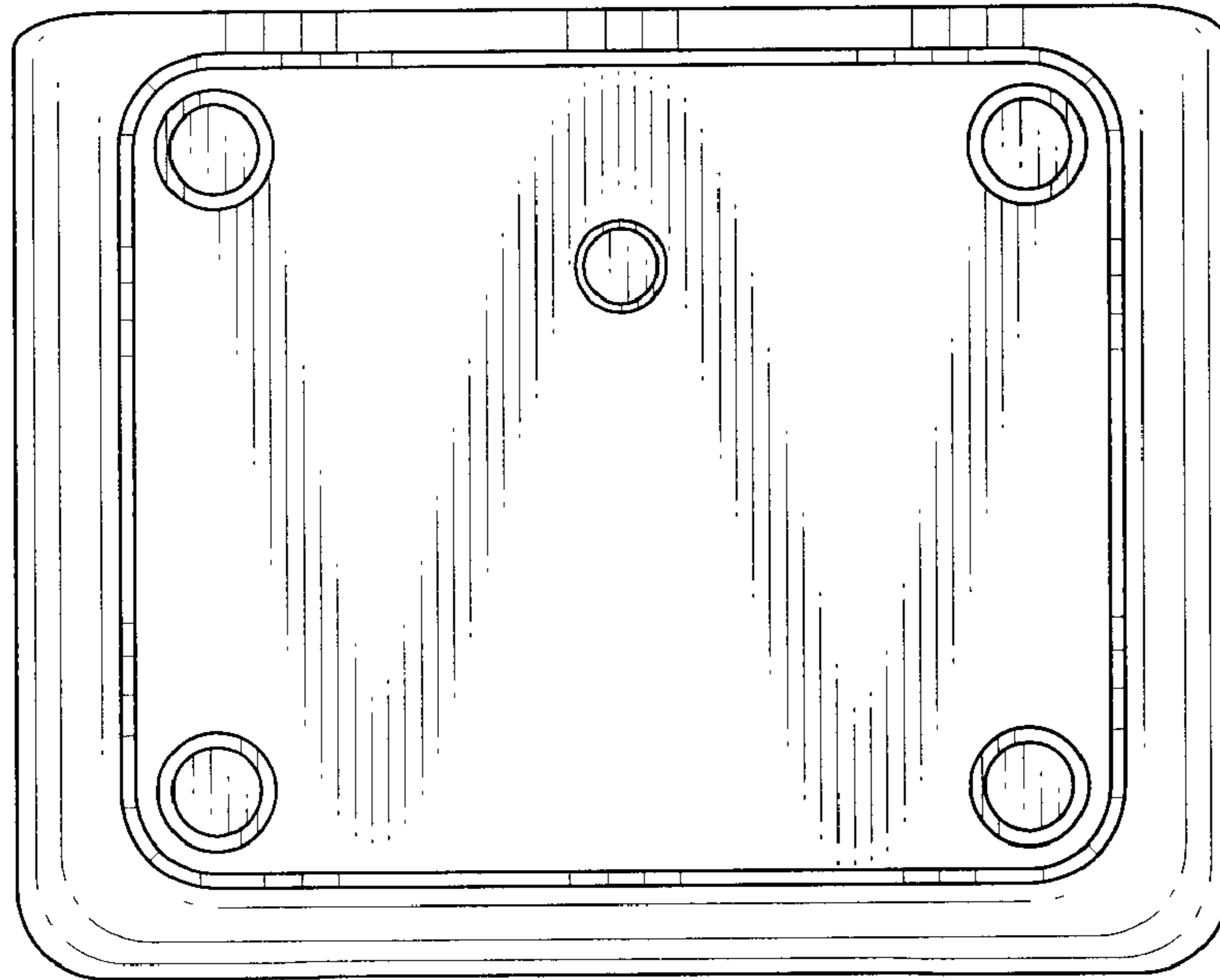


FIG. 6

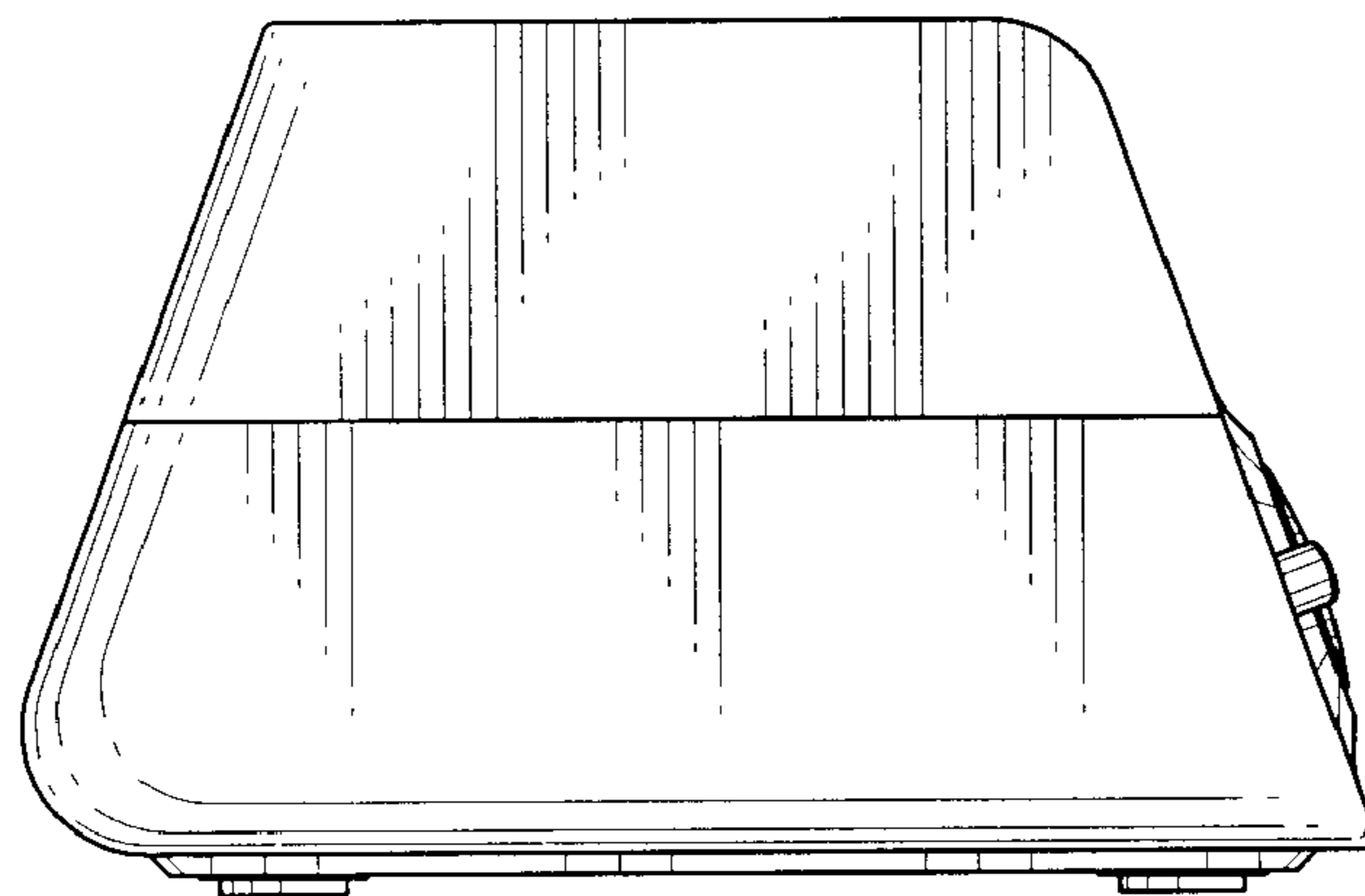


FIG. 7

