



US00D509789S

(12) **United States Design Patent**
Motoishi

(10) **Patent No.: US D509,789 S**

(45) **Date of Patent: ** Sep. 20, 2005**

(54) **COMBINED CHARGER AND INFRARED RAY EMITTER FOR HEADPHONE**

D483,328 S * 12/2003 Suzuki D13/108
D489,324 S * 5/2004 Suzuki D13/108

(75) Inventor: **Takuya Motoishi**, Tokyo (JP)

(73) Assignee: **Sony Corporation**, Tokyo (JP)

(**) Term: **14 Years**

(21) Appl. No.: **29/216,542**

(22) Filed: **Nov. 5, 2004**

(51) **LOC (8) Cl. 13-02**

(52) **U.S. Cl. D13/108; D14/155**

(58) **Field of Search D13/107-110,
D13/118-119, 184; D14/137, 155, 168,
251, 253; 320/107-115**

(56) **References Cited**

U.S. PATENT DOCUMENTS

D278,508 S	*	4/1985	Kafka	D7/386
5,095,382 A	*	3/1992	Abe	398/202
D325,578 S	*	4/1992	Daido et al.	D14/155
D350,956 S	*	9/1994	Sumikawa	D14/155
D355,913 S	*	2/1995	Chong	D14/168
D357,248 S	*	4/1995	Cheng	D14/137
D358,817 S	*	5/1995	Chong	D14/205
D456,351 S	*	4/2002	Yoneda	D13/108
D467,539 S	*	12/2002	Kataoka	D13/108
D483,327 S	*	12/2003	Matsuoka	D13/108

OTHER PUBLICATIONS

Webpage "MDR-DS300," www.yodobashi.com, 1 sheet (Sep. 2004).

Webpage "MDR-IF540RK," www.yodobashi.com, 1 sheet (Sep. 2004).

* cited by examiner

Primary Examiner—Alan P. Douglas

Assistant Examiner—Rosemary Tarca

(74) *Attorney, Agent, or Firm*—Rader, Fishman & Grauer PLLC

(57) **CLAIM**

The ornamental design for a combined charger and infrared ray emitter for headphone, as shown.

DESCRIPTION

FIG. 1 is a perspective view of a combined charger and infrared ray emitter for headphone showing my new design; FIG. 2 is a front elevational view thereof; FIG. 3 is a rear elevational view thereof; FIG. 4 is a left side elevational view thereof; FIG. 5 is a right side elevational view thereof; FIG. 6 is a top plan view thereof; and, FIG. 7 is a bottom plan view thereof.

1 Claim, 4 Drawing Sheets

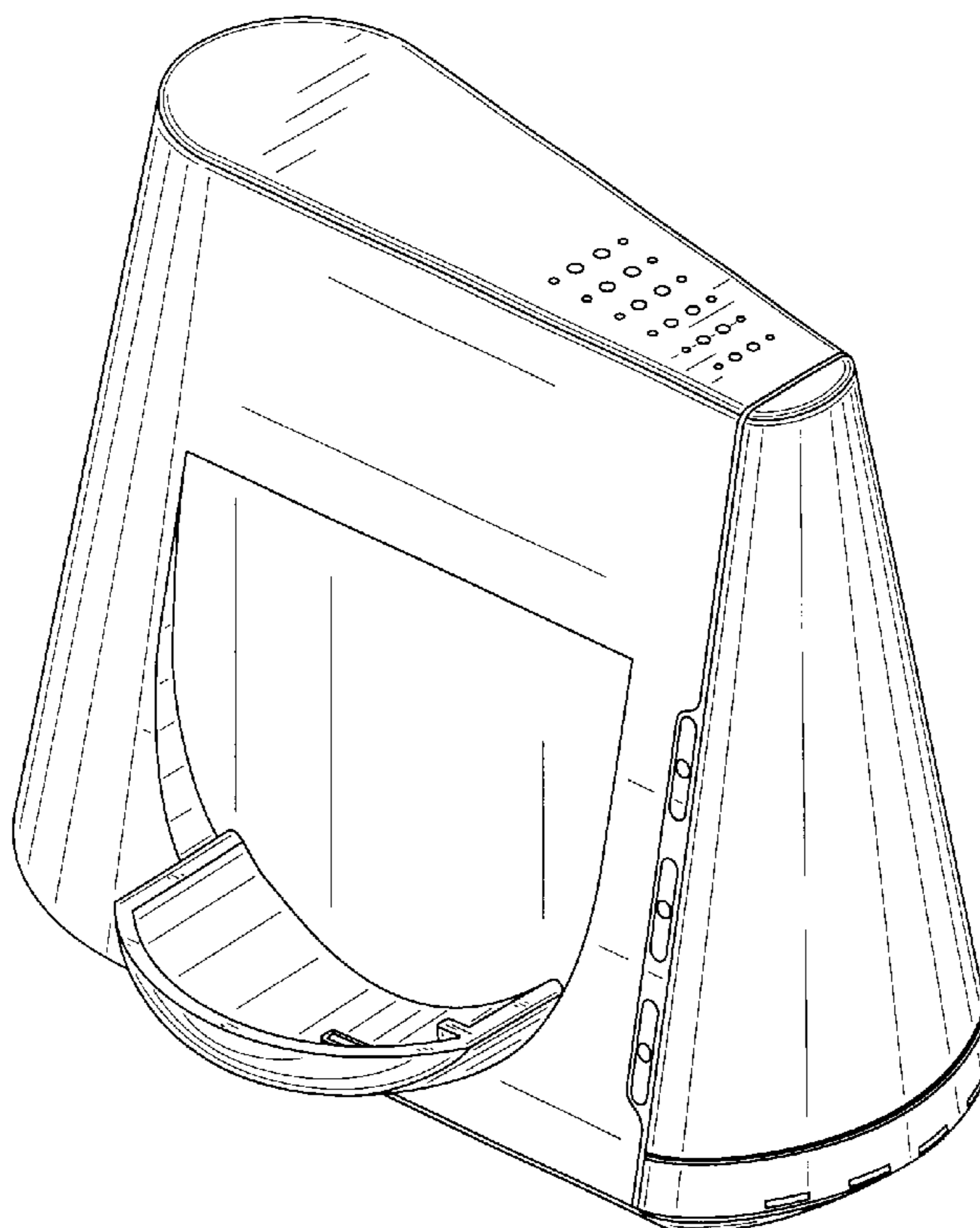


Fig.1

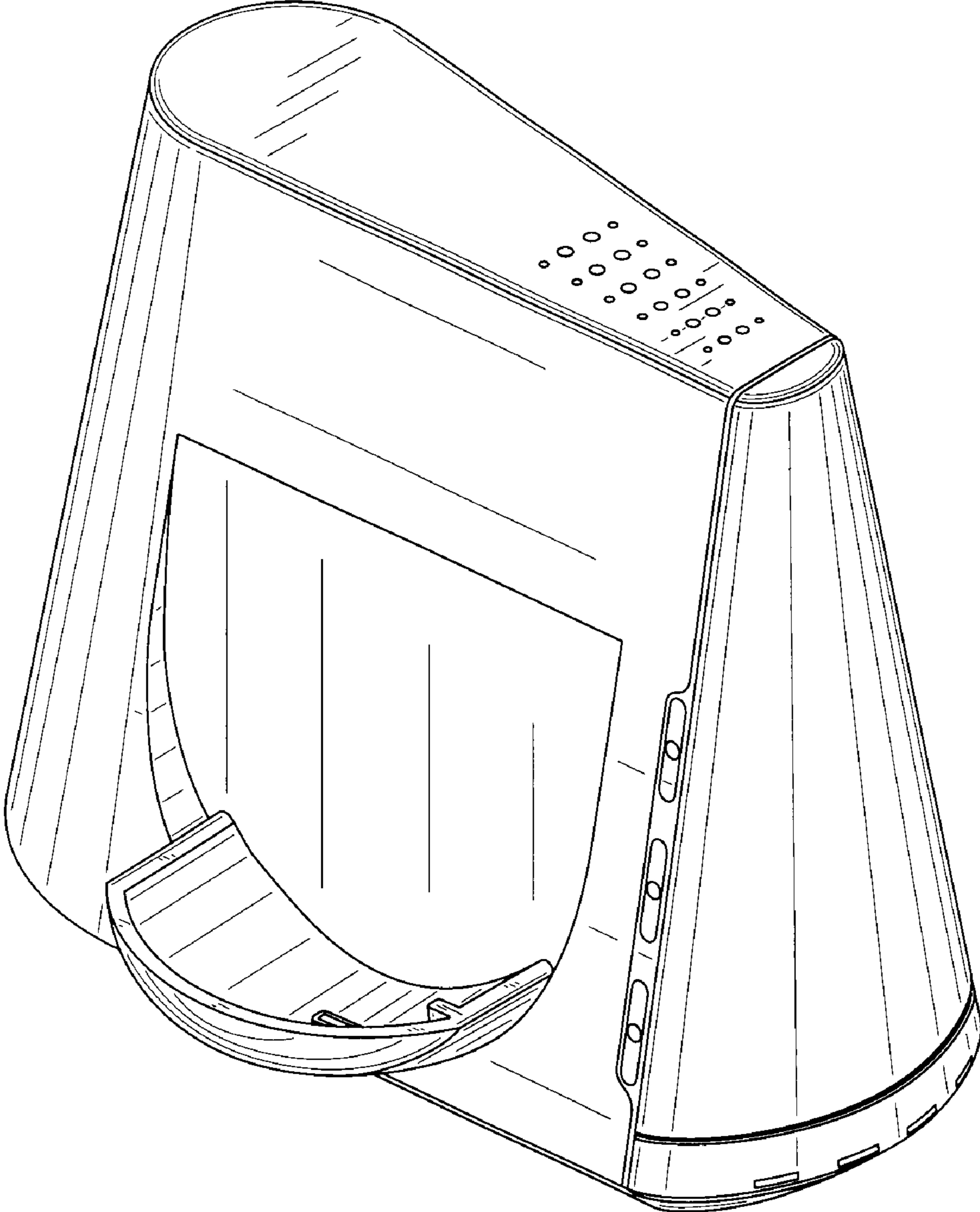


Fig.2

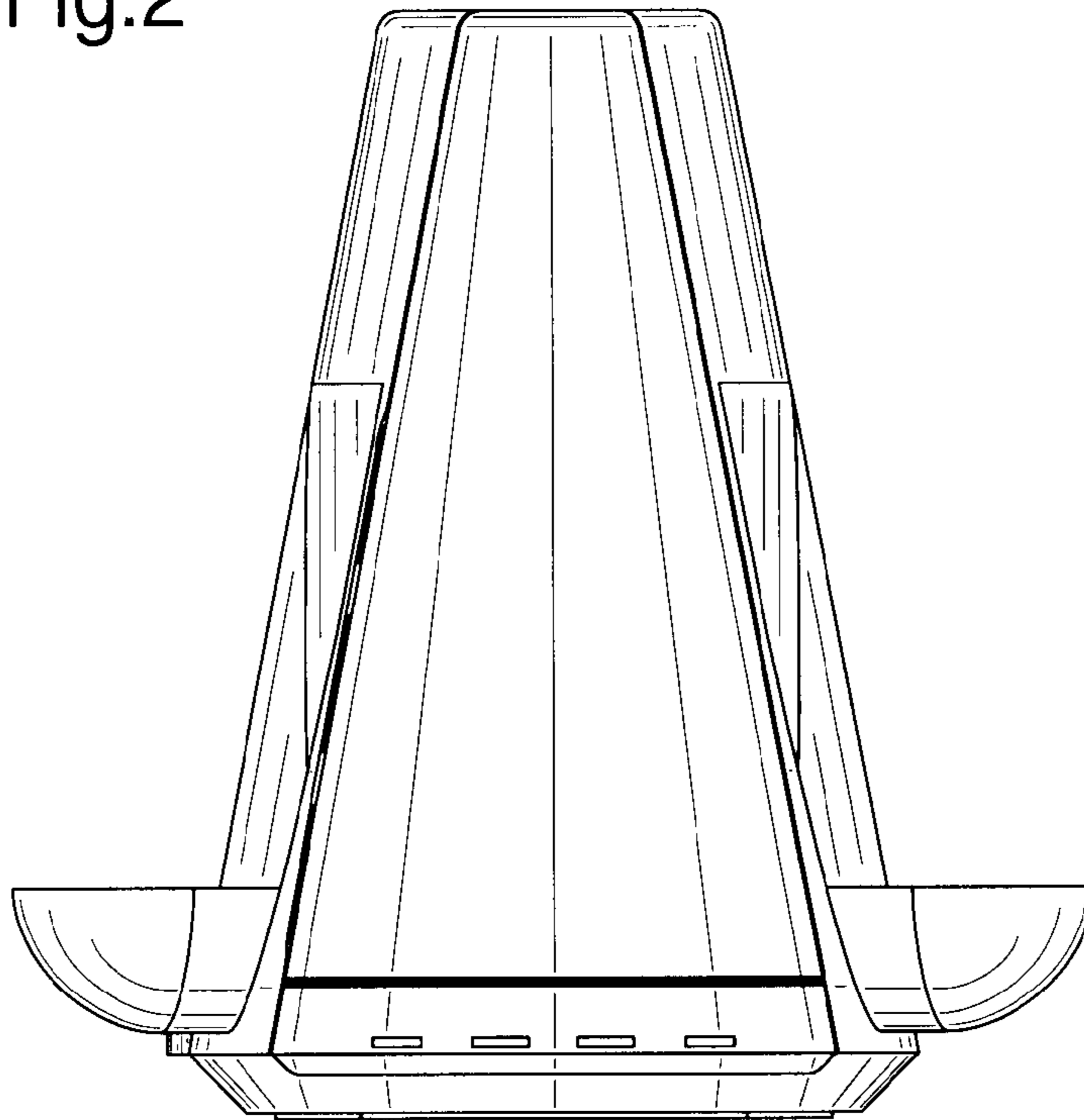


Fig.3

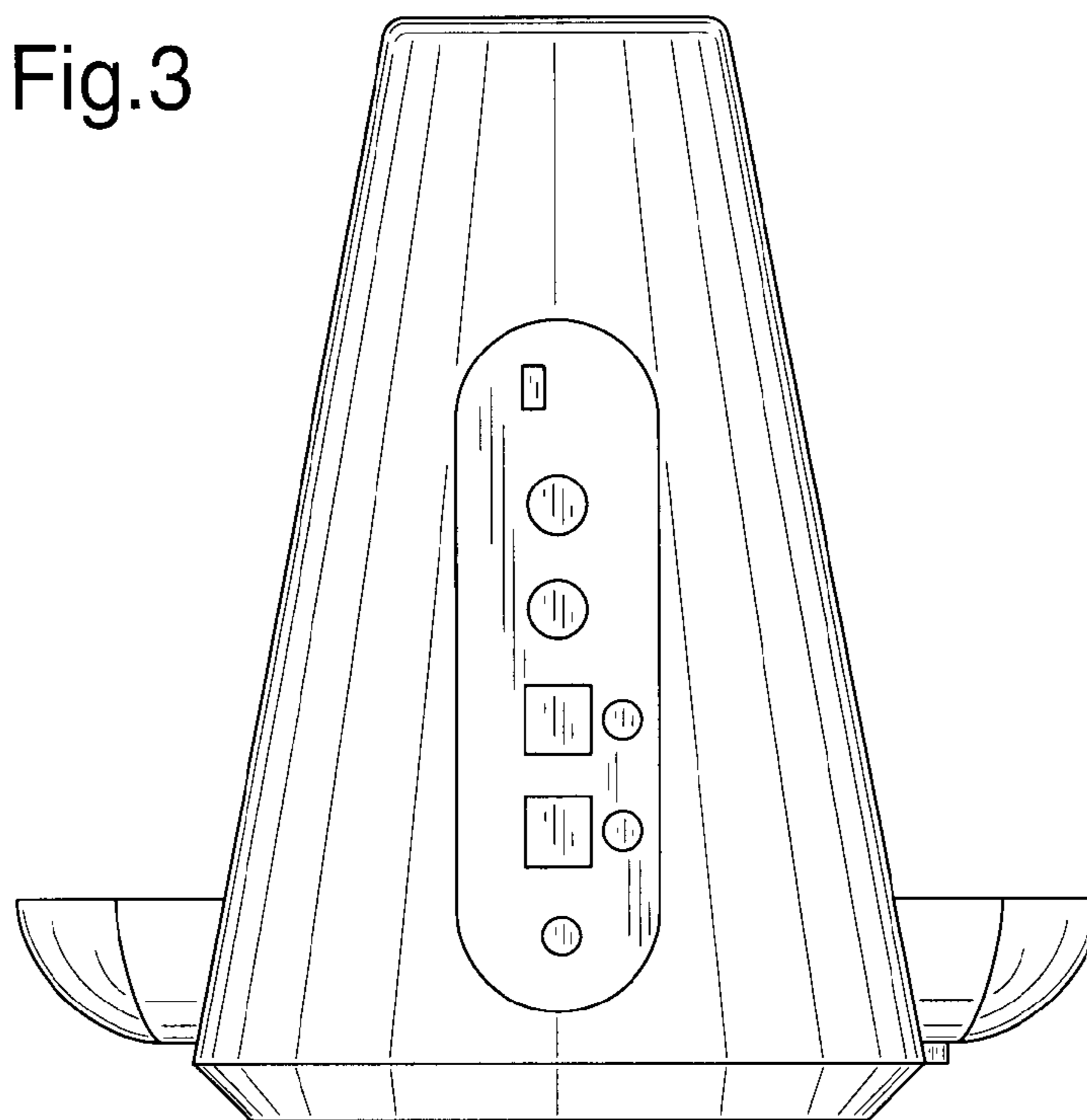


Fig.4

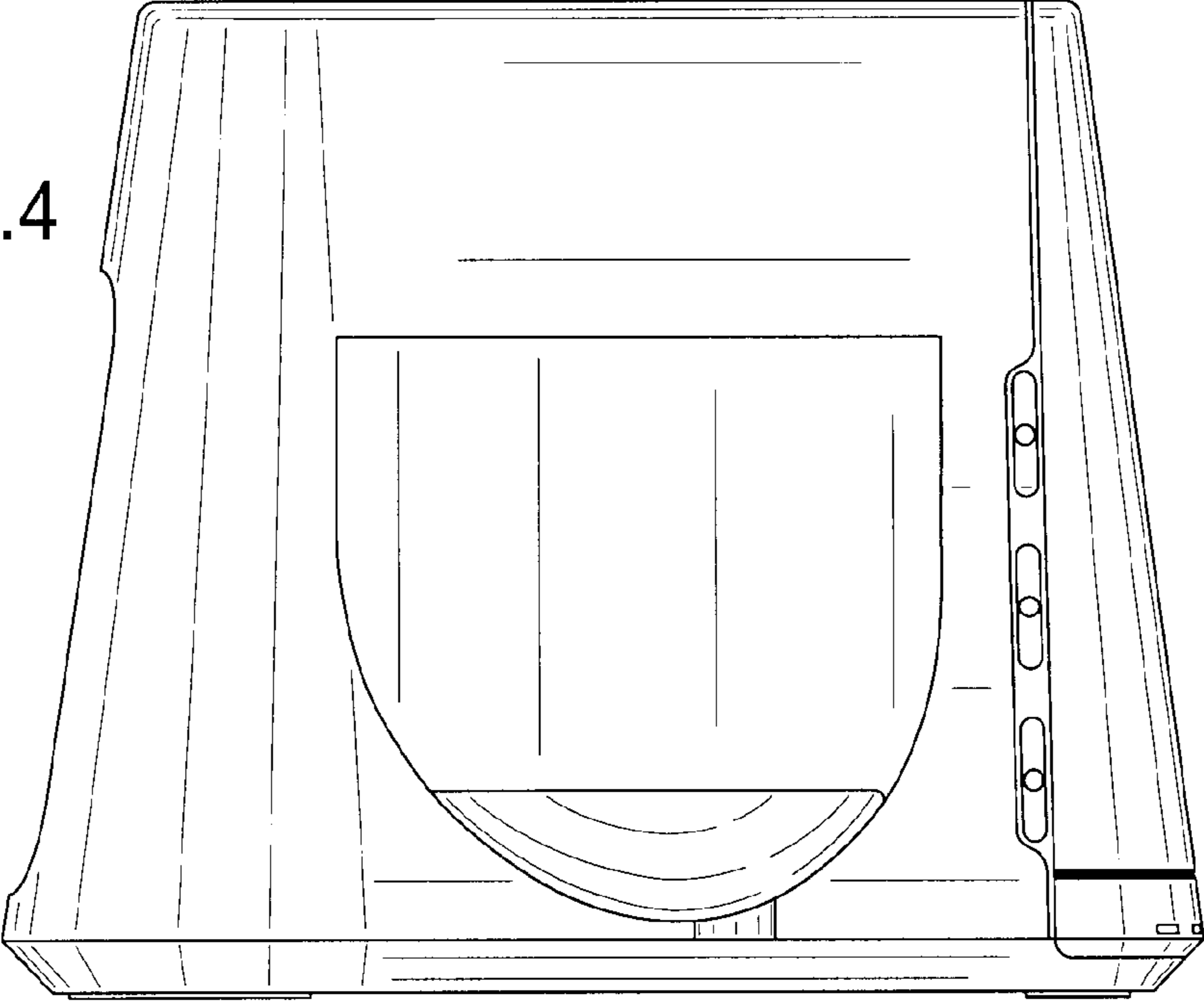


Fig.5

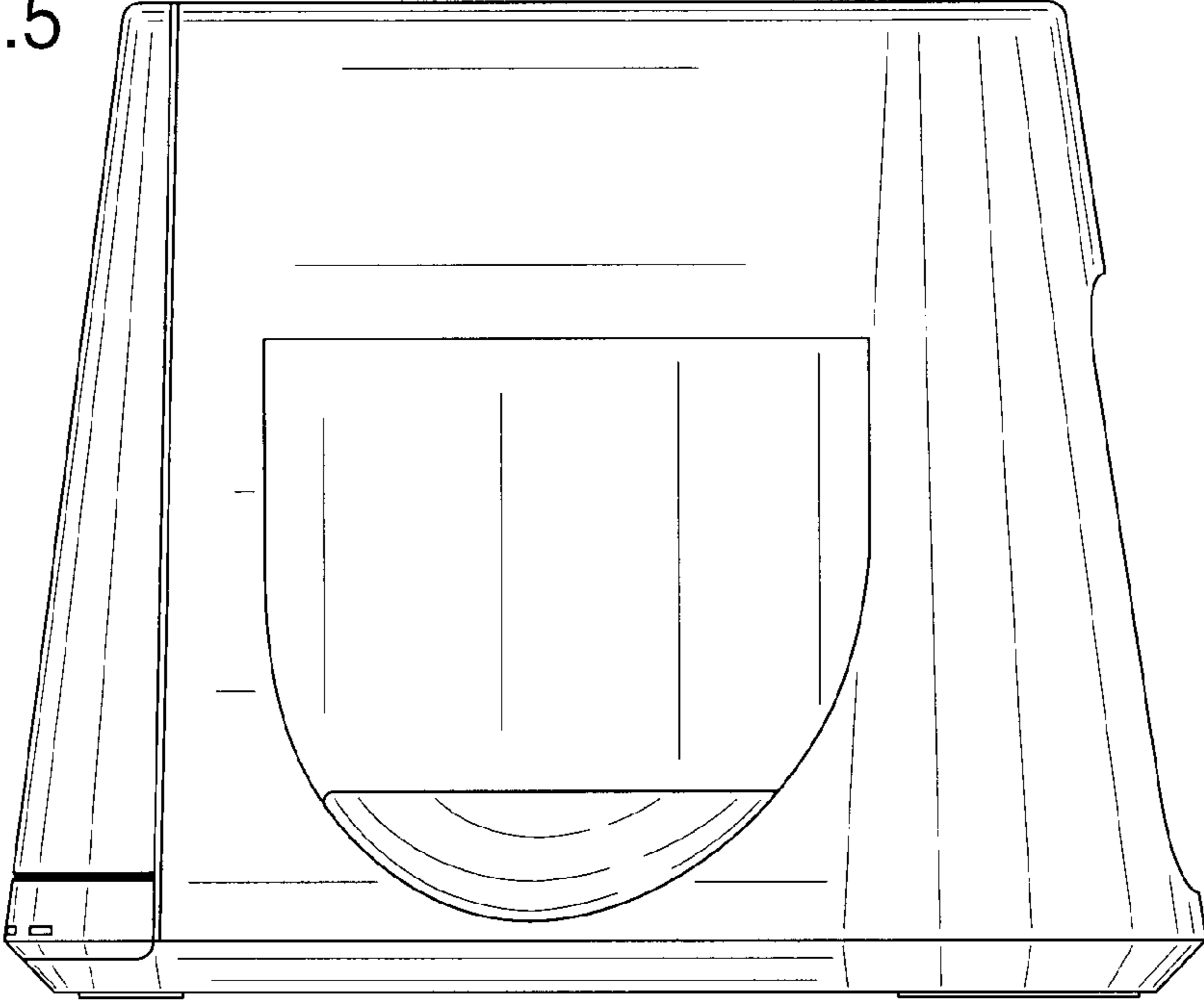


Fig.6

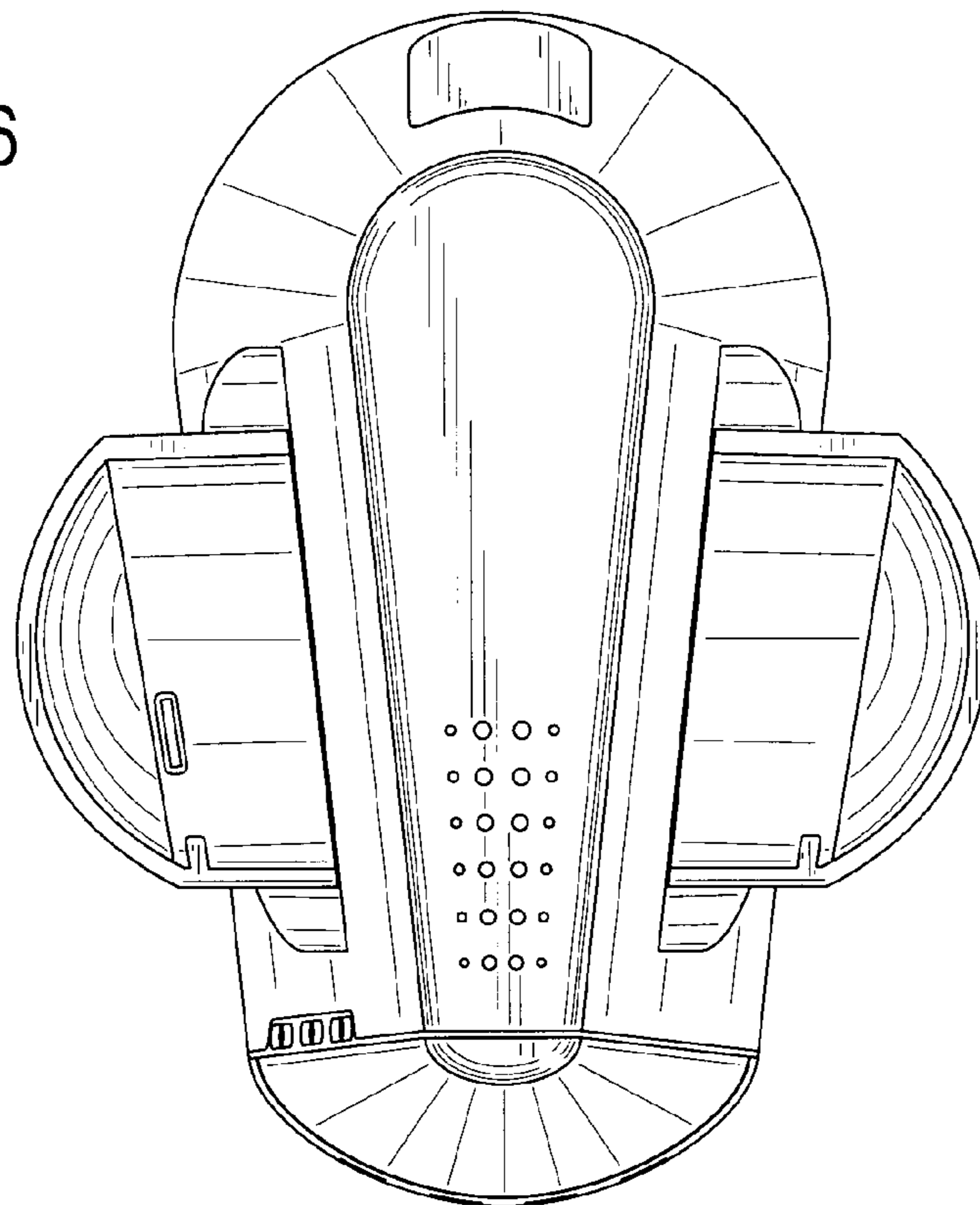


Fig.7

