



US00D509782S

(12) **United States Design Patent**
Pollmann

(10) **Patent No.:** **US D509,782 S**

(45) **Date of Patent:** **** Sep. 20, 2005**

(54) **FRONT FACE OF A VEHICLE WHEEL**

(75) **Inventor:** **Gert Pollmann, Boehmfeld (DE)**

(73) **Assignee:** **Bayerische Motoren Werke
Aktiengesellschaft, Munich (DE)**

(**) **Term:** **14 Years**

(21) **Appl. No.:** **29/211,174**

(22) **Filed:** **Aug. 12, 2004**

(30) **Foreign Application Priority Data**

Feb. 13, 2004 (DE) 404 00 998

(51) **LOC (8) Cl.** **12-16**

(52) **U.S. Cl.** **D12/209**

(58) **Field of Search** D12/204-213;
301/37.101, 64.101, 65

(56) **References Cited**

U.S. PATENT DOCUMENTS

- D433,374 S * 11/2000 Wang D12/209
- D437,819 S * 2/2001 Brown et al. D12/209
- D454,527 S * 3/2002 Bhambra D12/209
- D471,502 S * 3/2003 McMath D12/209

- D476,283 S * 6/2003 Baumgartner D12/211
- D484,839 S * 1/2004 Scheu D12/209
- D487,418 S * 3/2004 Hieke D12/211
- D488,420 S * 4/2004 Murkett et al. D12/209
- D491,871 S * 6/2004 Kang D12/209
- D493,403 S * 7/2004 Kataoka D12/209
- D496,622 S * 9/2004 Cheng D12/209
- D500,277 S * 12/2004 Kataoka D12/209
- D500,723 S * 1/2005 Alimchandani D12/209

* cited by examiner

Primary Examiner—Stacia Cadmus

(74) *Attorney, Agent, or Firm*—Crowell & Moring LLP

(57) **CLAIM**

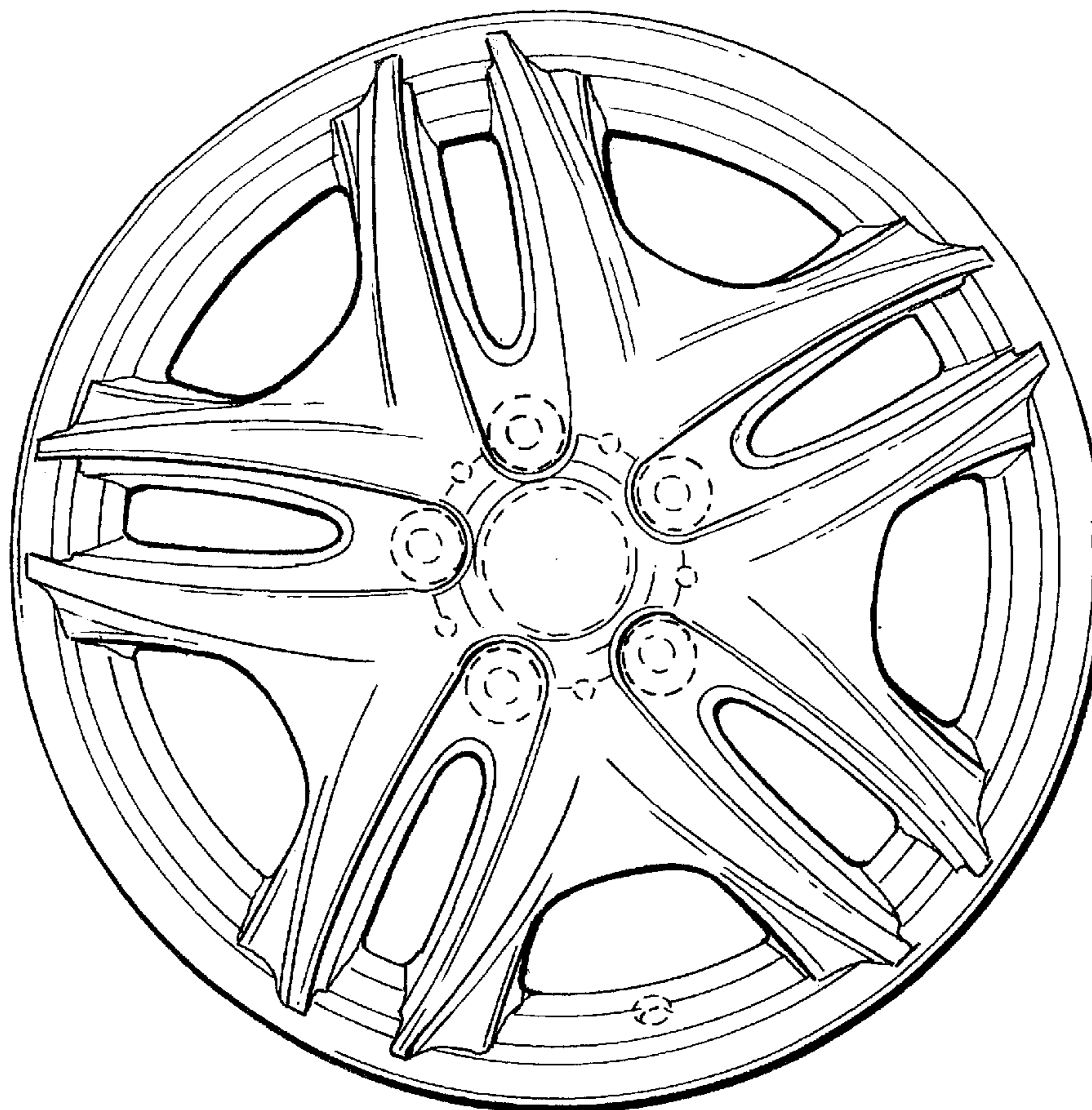
The ornamental design for a front face of a vehicle wheel, as shown and described.

DESCRIPTION

FIG. 1 is a front view of a front face of a vehicle wheel according to my novel design; and, FIG. 2 is a perspective view of the front face of a vehicle wheel according to my novel design.

The broken lines are for illustrative purposes only and form no part of the claimed design.

1 Claim, 1 Drawing Sheet



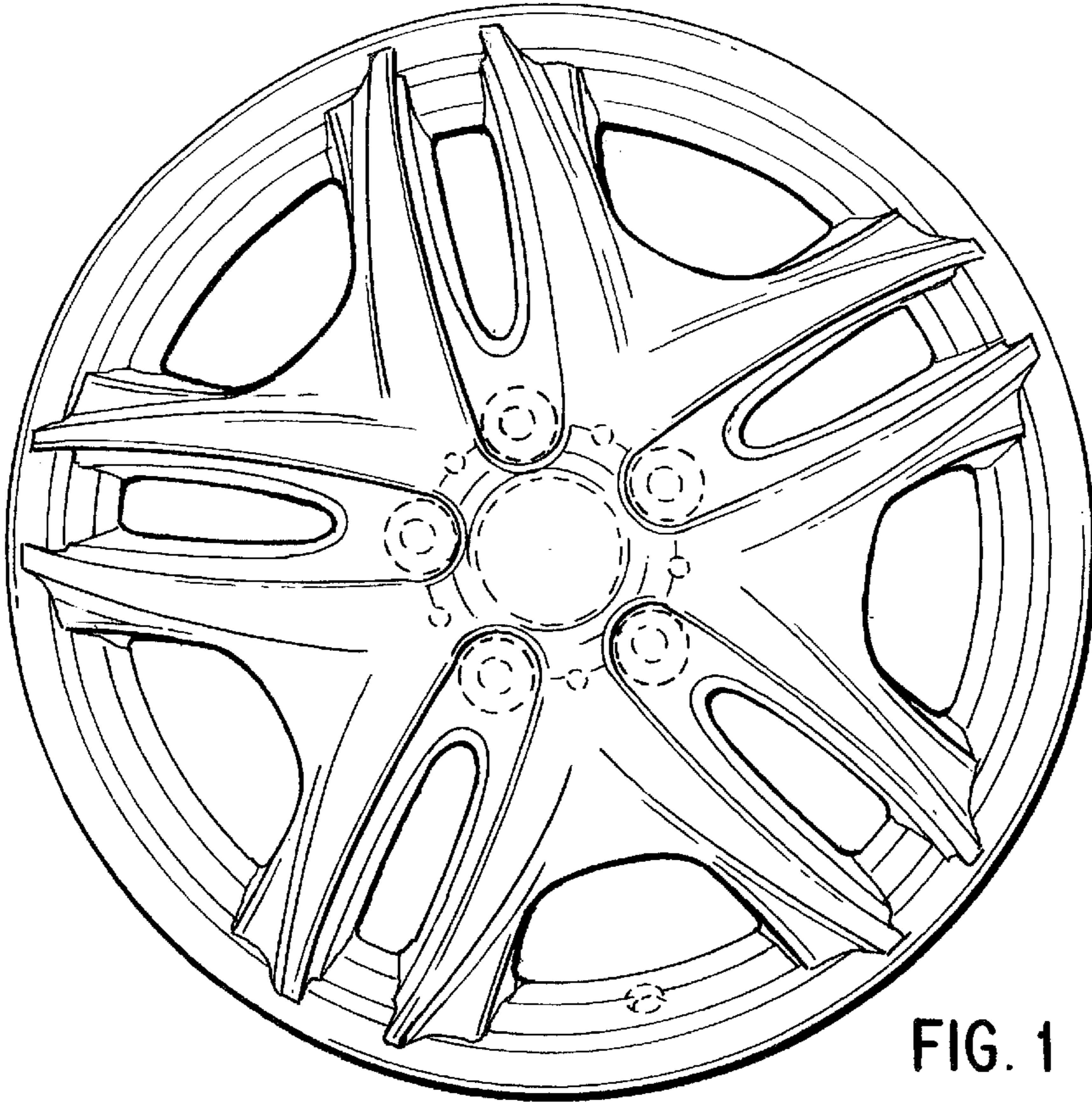


FIG. 1

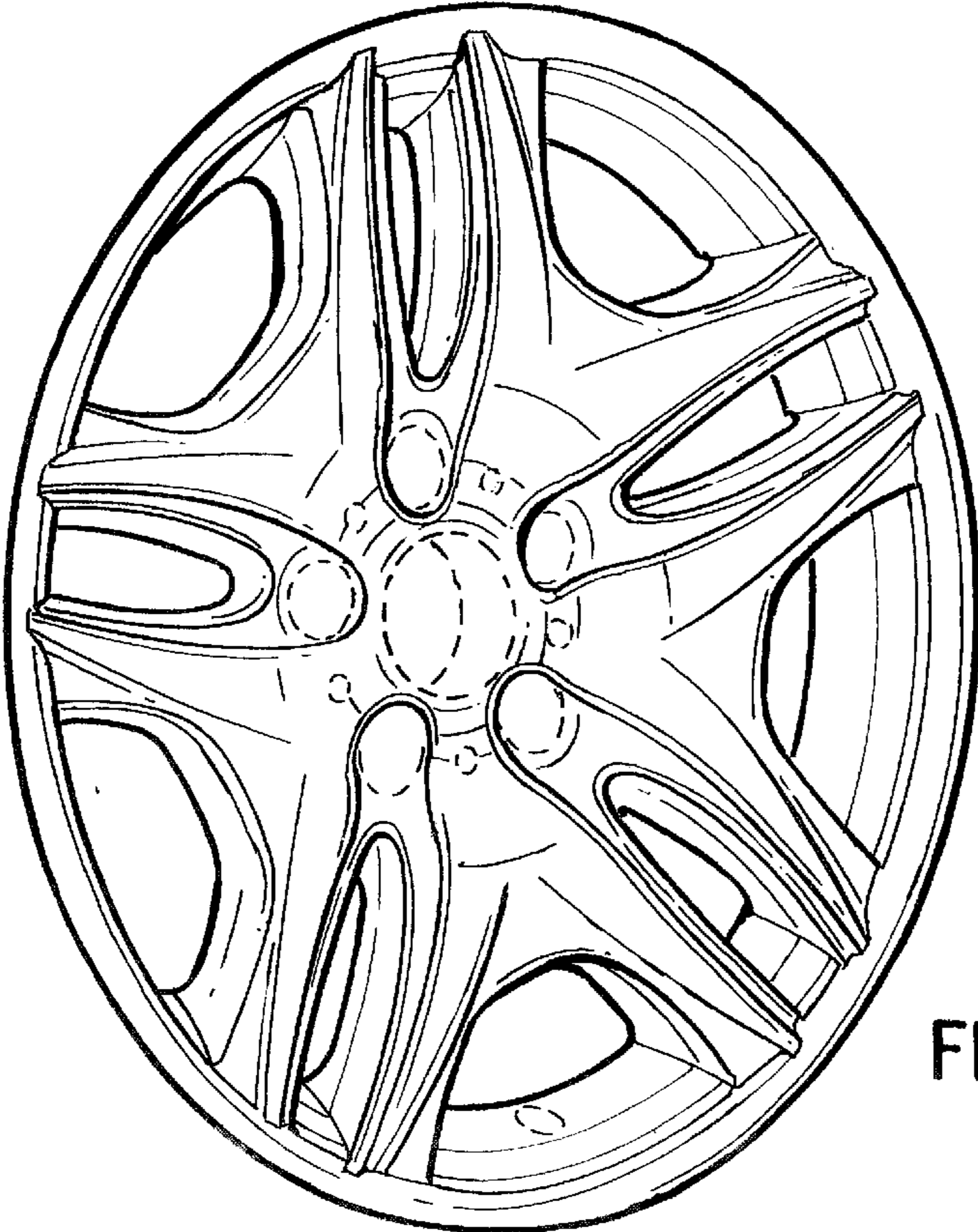


FIG. 2