

US00D509777S

(12) **United States Design Patent**
Hakamata

(10) **Patent No.:** **US D509,777 S**

(45) **Date of Patent:** **** Sep. 20, 2005**

(54) **BUMPER FOR AN AUTOMOBILE**

(75) Inventor: **Hiroaki Hakamata**, Aichi-ken (JP)

(73) Assignee: **Toyota Jidosha Kabushiki Kaisha** (JP)

(**) Term: **14 Years**

(21) Appl. No.: **29/189,640**

(22) Filed: **Sep. 9, 2003**

(51) **LOC (8) Cl.** **12-16**

(52) **U.S. Cl.** **D12/169**

(58) **Field of Search** D12/90-92, 86,
D12/169, 196, 163; 296/180.1, 180.2; 293/102,
113, 115, 117, 120

(56) **References Cited**

U.S. PATENT DOCUMENTS

D435,814 S	*	1/2001	Gabath	D12/169
D436,067 S	*	1/2001	Okano et al.	D12/169
D497,580 S	*	10/2004	Aikawa	D12/169
D498,716 S	*	11/2004	Maeda et al.	D12/169

OTHER PUBLICATIONS

Nissan BASSARA Prototype; Motor Fun; Nov. 23, 1999; p. 55.

Daihatsu YRV Prototype; Motor Fun; Nov. 23, 1999; p. 112.

* cited by examiner

Primary Examiner—Melody N. Brown

(74) *Attorney, Agent, or Firm*—SAIDMAN DesignLaw Group

(57) **CLAIM**

The ornamental design for a bumper for an automobile, as shown and described.

DESCRIPTION

FIG. 1 is a perspective view of a bumper for an automobile showing my new design;

FIG. 2 is a front view thereof;

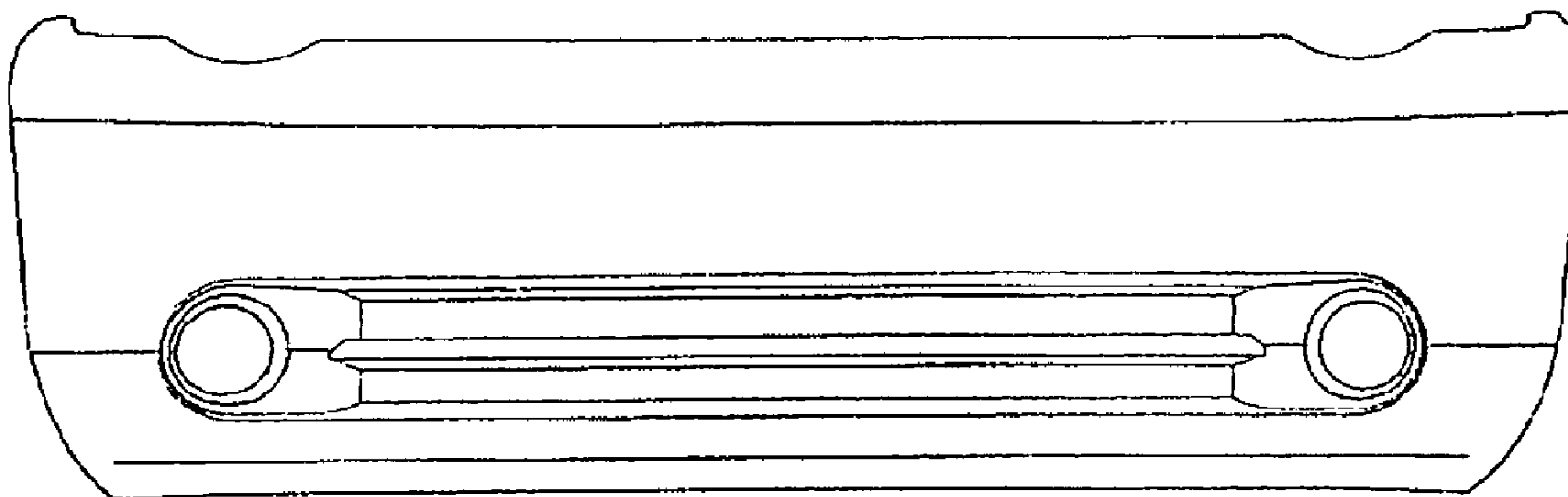
FIG. 3 is a rear view thereof;

FIG. 4 is a right-side view thereof, with the left-side being a mirror image;

FIG. 5 is a bottom view thereof; and,

FIG. 6 is a top view thereof.

1 Claim, 4 Drawing Sheets



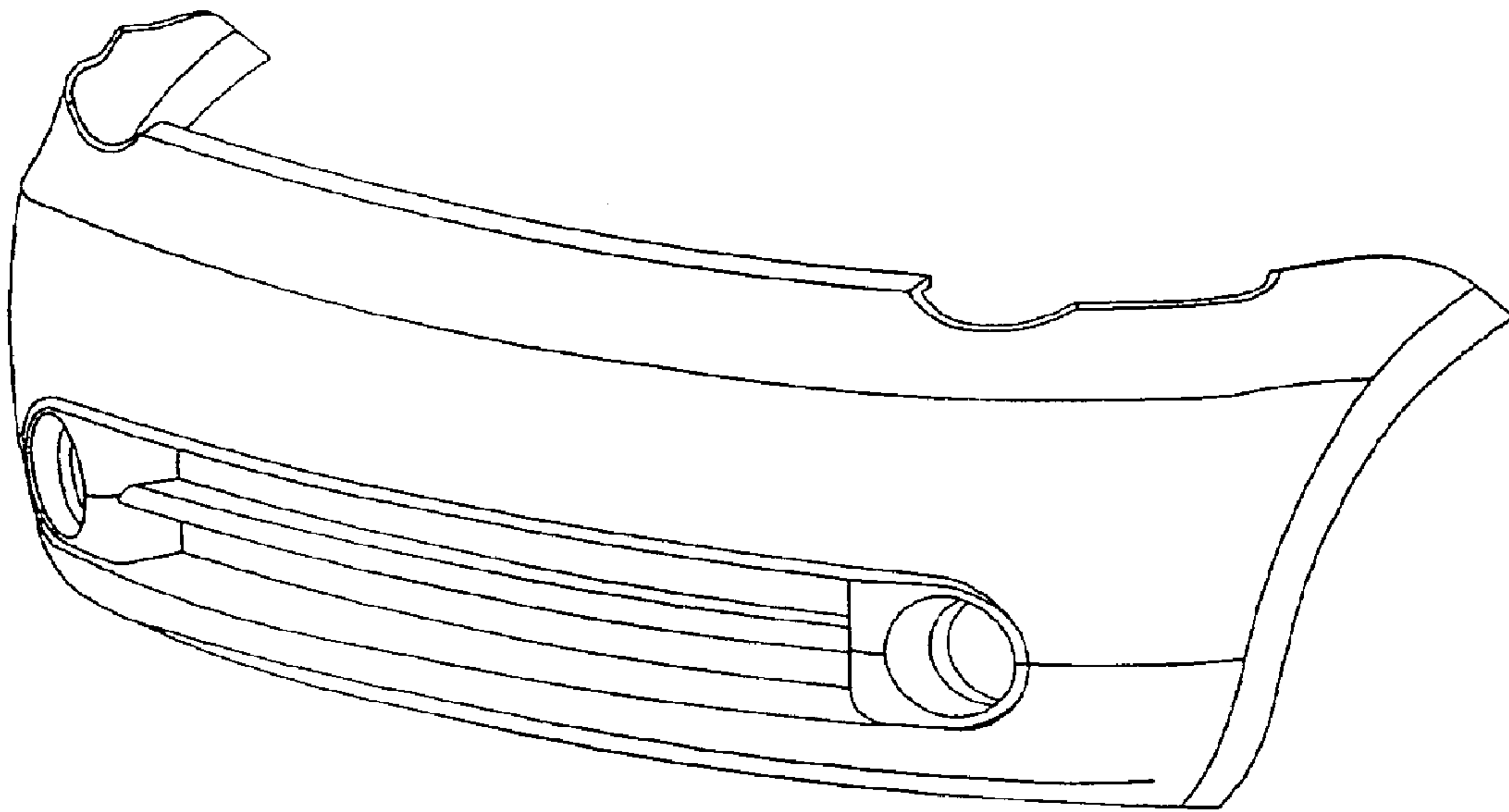


FIG. 1

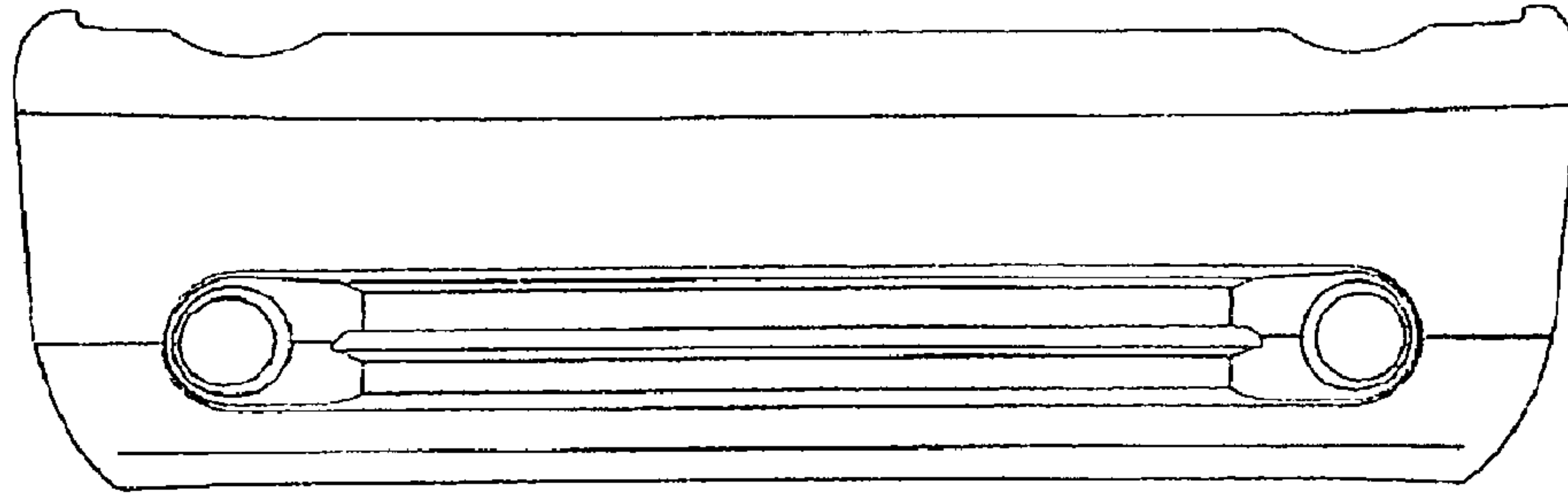


FIG. 2

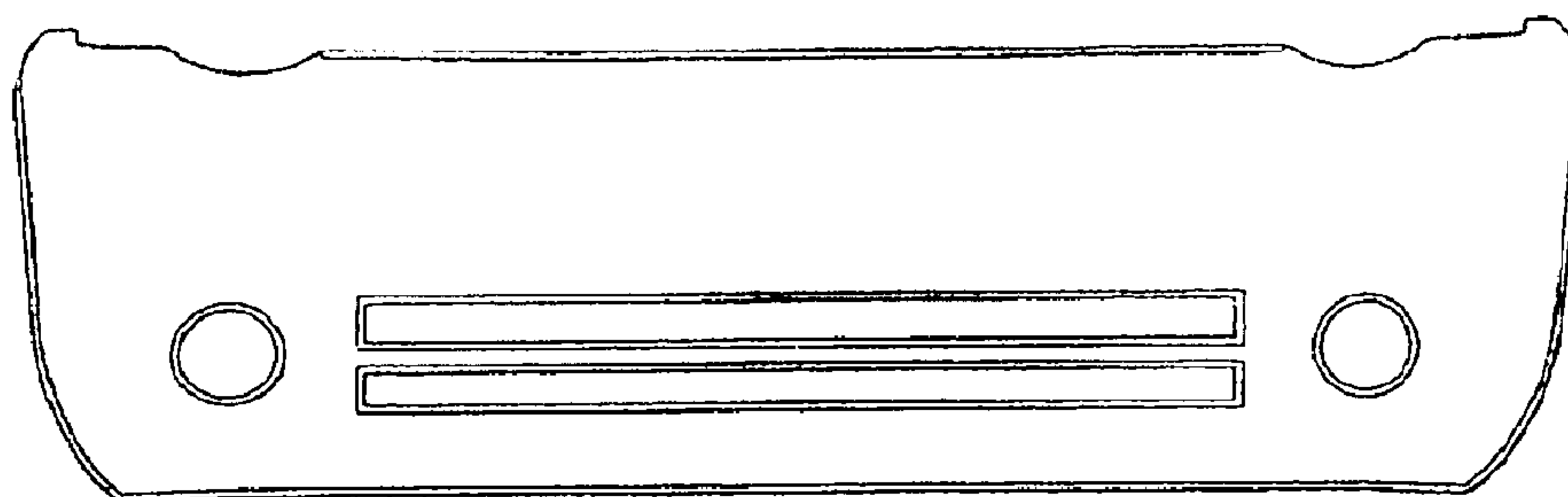


FIG. 3

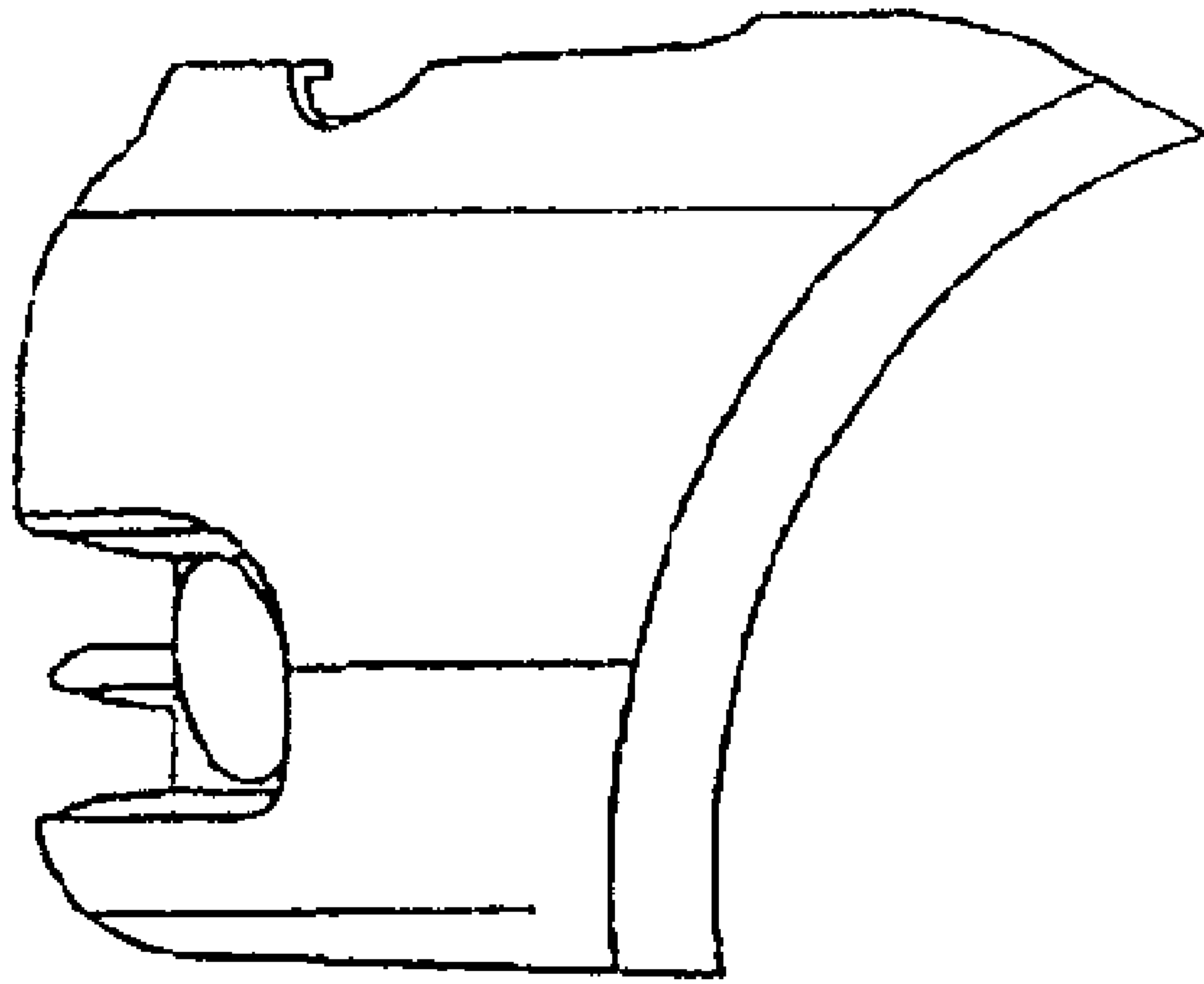


FIG. 4



FIG. 5

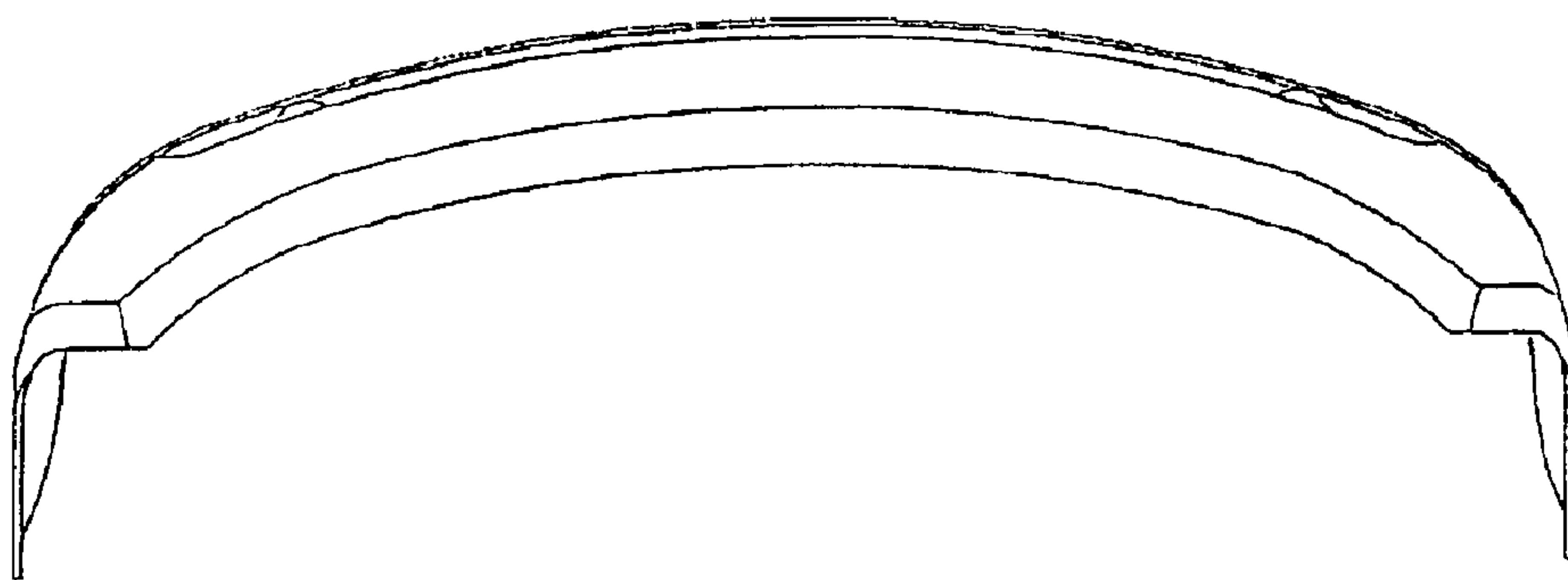


FIG. 6