

US00D509776S

(12) **United States Design Patent**
Stettler

(10) **Patent No.:** **US D509,776 S**

(45) **Date of Patent:** **** Sep. 20, 2005**

(54) **TRAILER HITCH SYSTEM**

(75) **Inventor:** **Dana Stettler, Corona, CA (US)**

(73) **Assignee:** **Pivit Hitch, Inc., Riverside, CA (US)**

(**) **Term:** **14 Years**

(21) **Appl. No.:** **29/177,253**

(22) **Filed:** **Mar. 5, 2003**

(51) **LOC (8) Cl.** **12-16**

(52) **U.S. Cl.** **D12/162**

(58) **Field of Search** D12/162, 400,
D12/223; D15/28; 280/507-513, 491.1-491.3,
415.1, 482; D8/349, 354

(56) **References Cited**

U.S. PATENT DOCUMENTS

D192,998 S	*	6/1962	Goldberg	D12/162
D318,038 S	*	7/1991	Goettker	D12/162
D320,777 S	*	10/1991	Goettker	D12/162
D351,604 S	*	10/1994	Eudy	D15/28
D361,541 S	*	8/1995	Denny	D12/162

D369,580 S	*	5/1996	Hartwig	D12/162
D379,609 S	*	6/1997	Nease, III	D12/162
D449,268 S	*	10/2001	Hanson et al.	D12/223

* cited by examiner

Primary Examiner—Stacia Cadmus

(74) *Attorney, Agent, or Firm*—Fish & Richardson P.C.;
Fred C. Hernandez

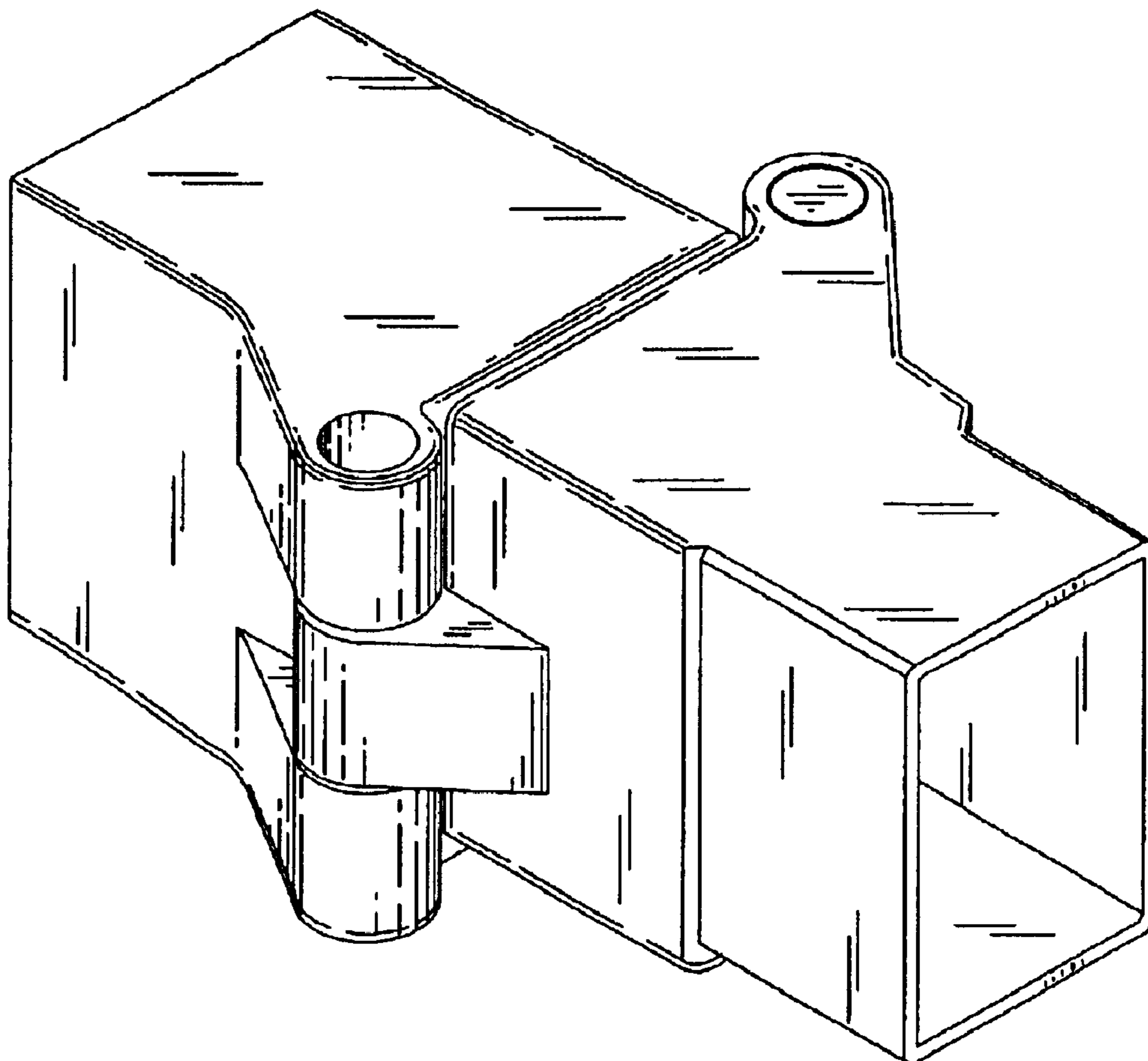
(57) **CLAIM**

The ornamental design for a trailer hitch system, as shown and described.

DESCRIPTION

FIG. 1 is a front perspective view of a trailer hitch system of the present invention;
FIG. 2 is a top plan view thereof;
FIG. 3 is a left-side elevational view thereof;
FIG. 4 is a right-side elevational view thereof;
FIG. 5 is a bottom plan view thereof.
FIG. 6 is a rear elevational view thereof; and,
FIG. 7 is front elevational view thereof.

1 Claim, 2 Drawing Sheets



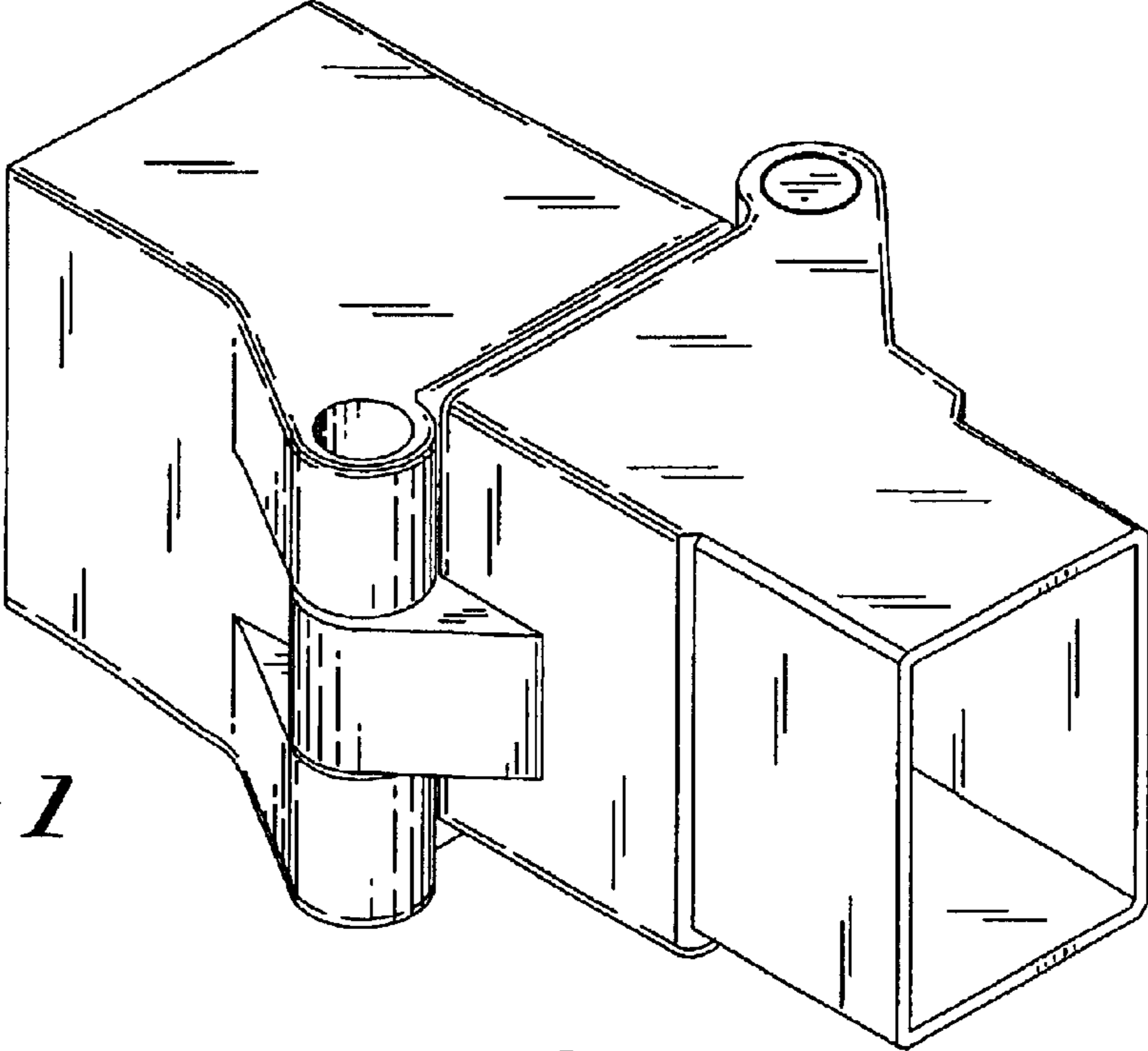


Fig. 1

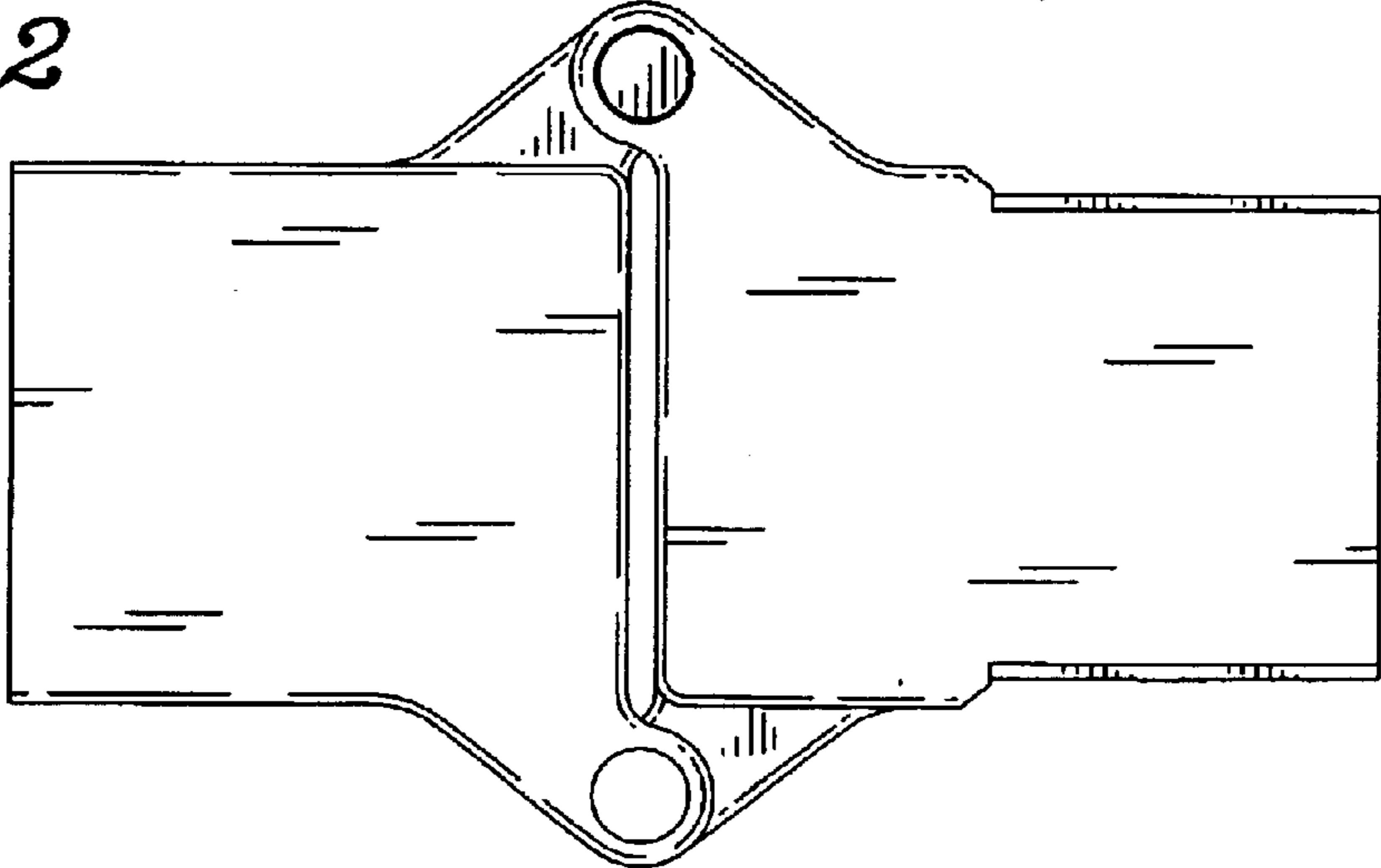


Fig. 2

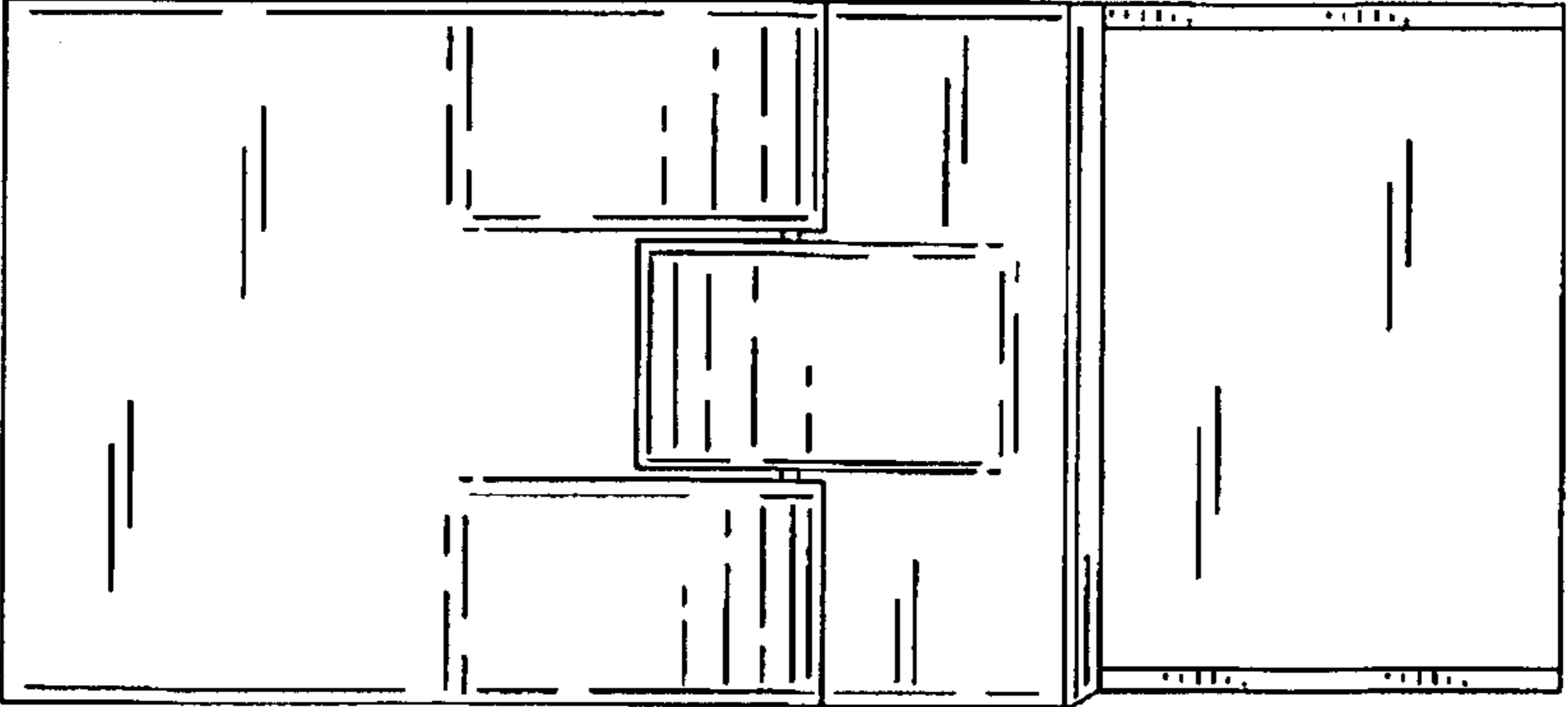


Fig. 3

Fig. 4

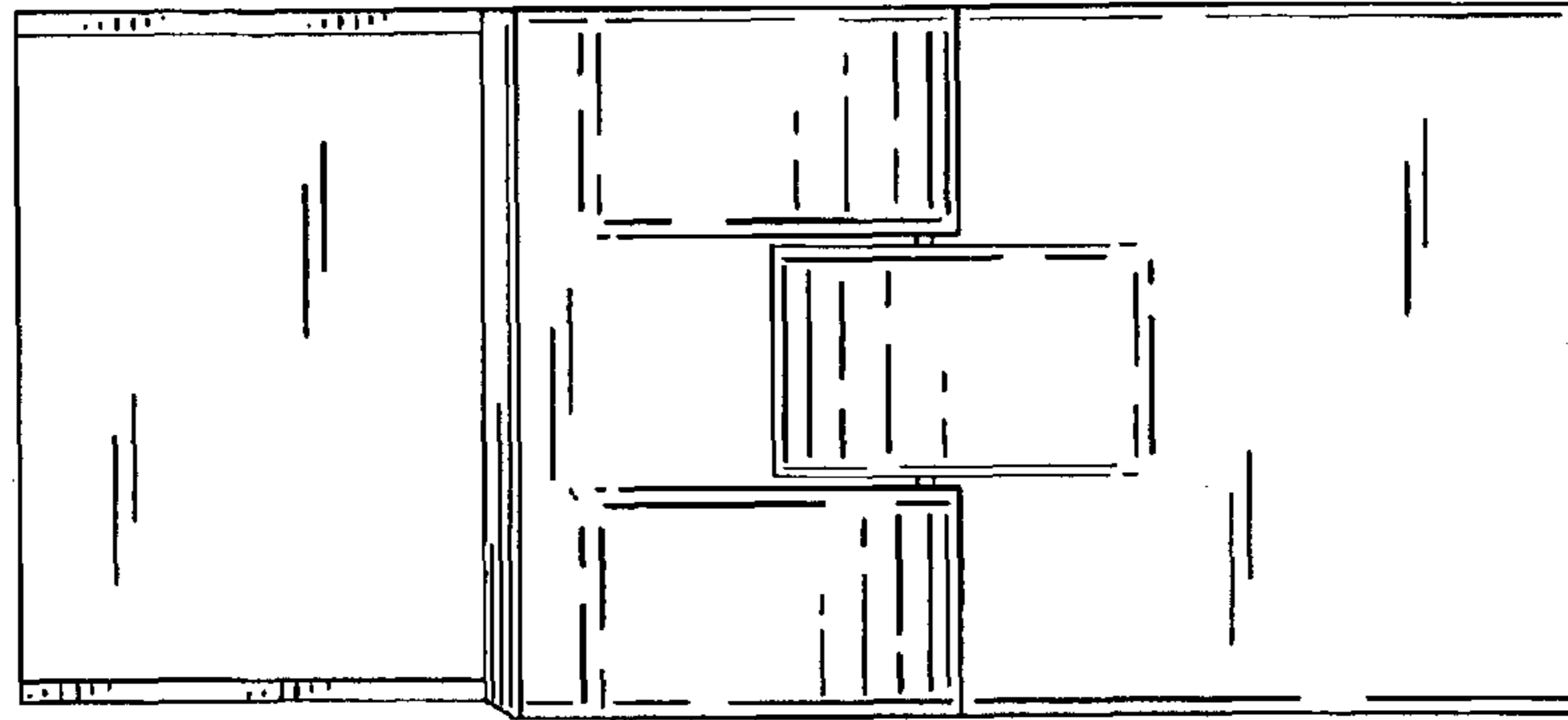


Fig. 5

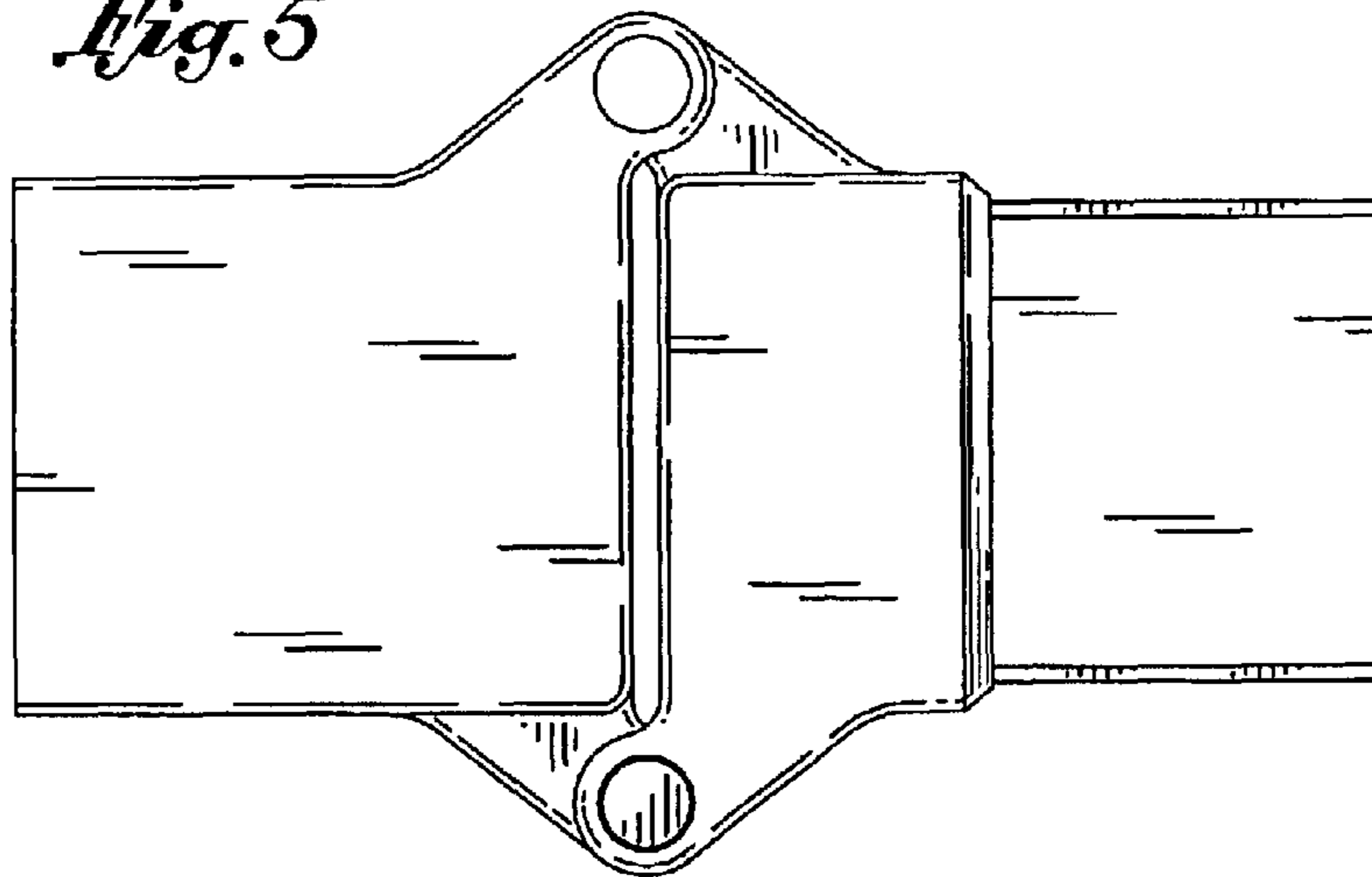


Fig. 6

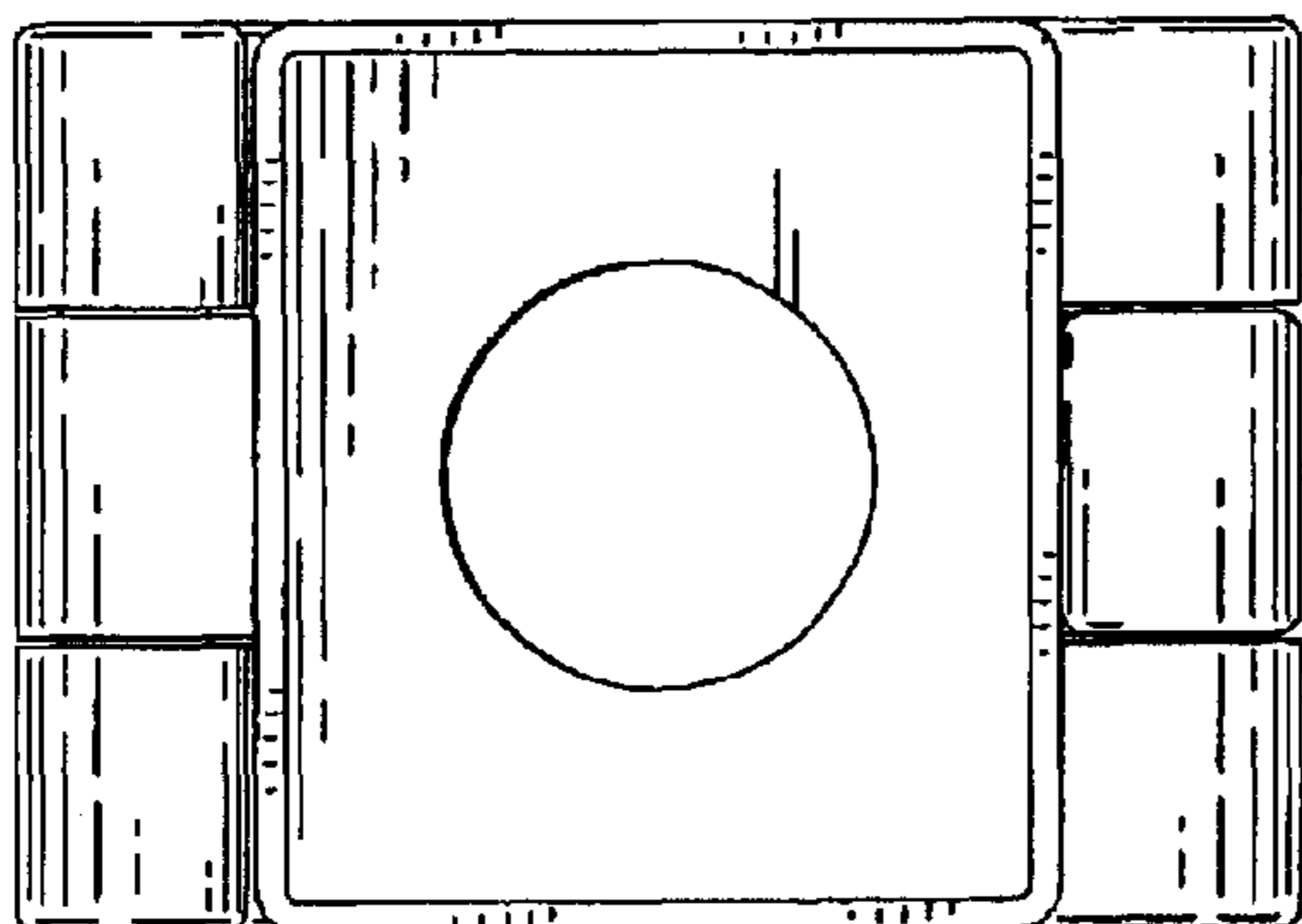


Fig. 7

