

US00D509769S

(12) **United States Design Patent**
Krauss

(10) **Patent No.:** **US D509,769 S**

(45) **Date of Patent:** **** Sep. 20, 2005**

(54) **STRAP ADJUSTING BUCKLE**

(76) **Inventor:** **Mark J. Krauss**, 88 Century Dr.,
Woonsocket, RI (US) 02895

(**) **Term:** **14 Years**

(21) **Appl. No.:** **29/200,410**

(22) **Filed:** **Feb. 25, 2004**

(51) **LOC (8) Cl.** **02-07**

(52) **U.S. Cl.** **D11/218**

(58) **Field of Search** D11/200, 201,
D11/208-210, 212-218, 220, 230-234,
237, 86-87, 94; 63/15.2, 15; 24/307, 625,
616, 200, 196, 171, 169, 112

(56) **References Cited**

U.S. PATENT DOCUMENTS

D352,254 S	*	11/1994	Prosser	D11/218
D458,870 S	*	6/2002	Anscher	D11/218
D467,838 S	*	12/2002	Yoshiguchi	D11/218
D496,605 S	*	9/2004	Anscher et al.	D11/218

* cited by examiner

Primary Examiner—Ralf Seifert

(74) *Attorney, Agent, or Firm*—Kenton L. Freudenberg

(57) **CLAIM**

What is claimed is the ornamental design for a strap adjusting buckle, as shown and described herein.

DESCRIPTION

FIG. 1 is a perspective view of a strap buckle showing the preferred embodiment of the new design.

FIG. 2 is a top view of the embodiment shown in FIG. 1.

FIG. 3 is a slight perspective side view of the embodiment shown in FIG. 1.

FIG. 4 is a side view of the embodiment shown in FIG. 1, with the front of the buckle to the left.

FIG. 5 is a front view of the embodiment shown in FIG. 1.

FIG. 6 is a perspective view showing an alternative embodiment of the new design.

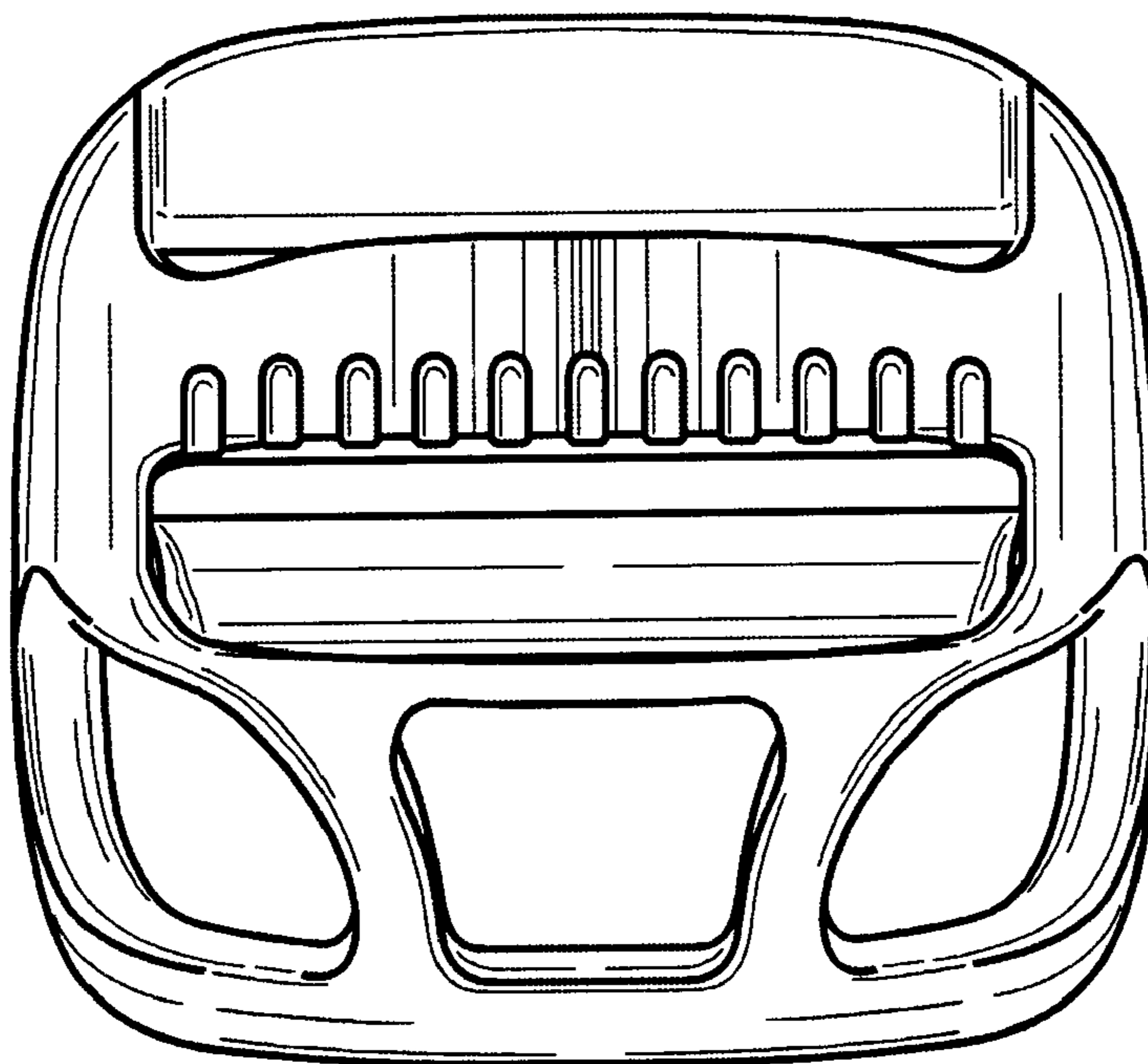
FIG. 7 is a side view of the embodiment shown in FIG. 6, with the front of the buckle to the left.

FIG. 8 is a top view of the embodiment shown in FIG. 6; and,

FIG. 9 is another perspective view of the embodiment shown in FIG. 6.

In the device as shown, views from the right side are mirror images of the corresponding views from the left side and vice versa. The views of the buckle shown in FIGS. 2, 5 and 8 have mirrored right/left symmetry.

1 Claim, 3 Drawing Sheets



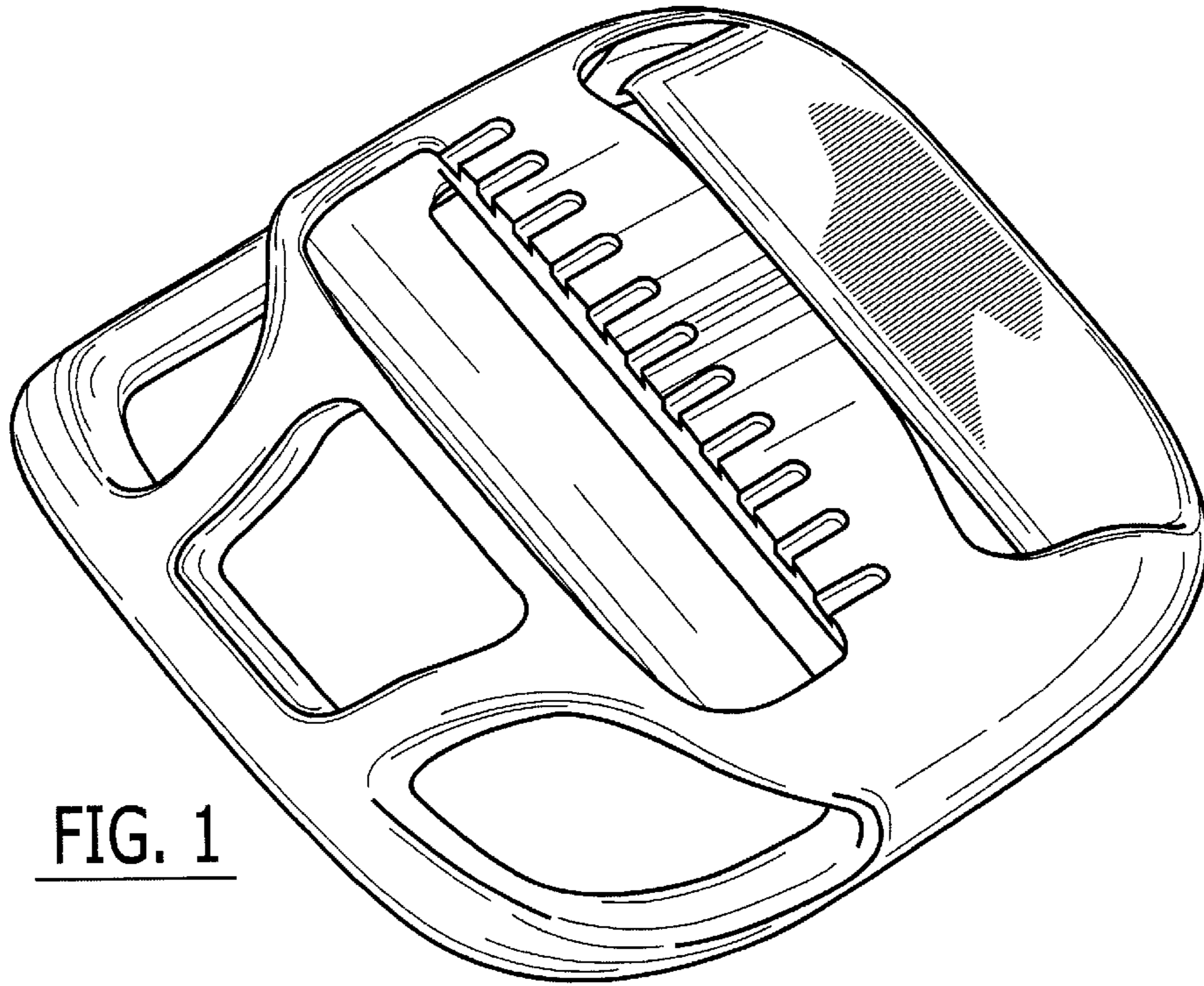


FIG. 1

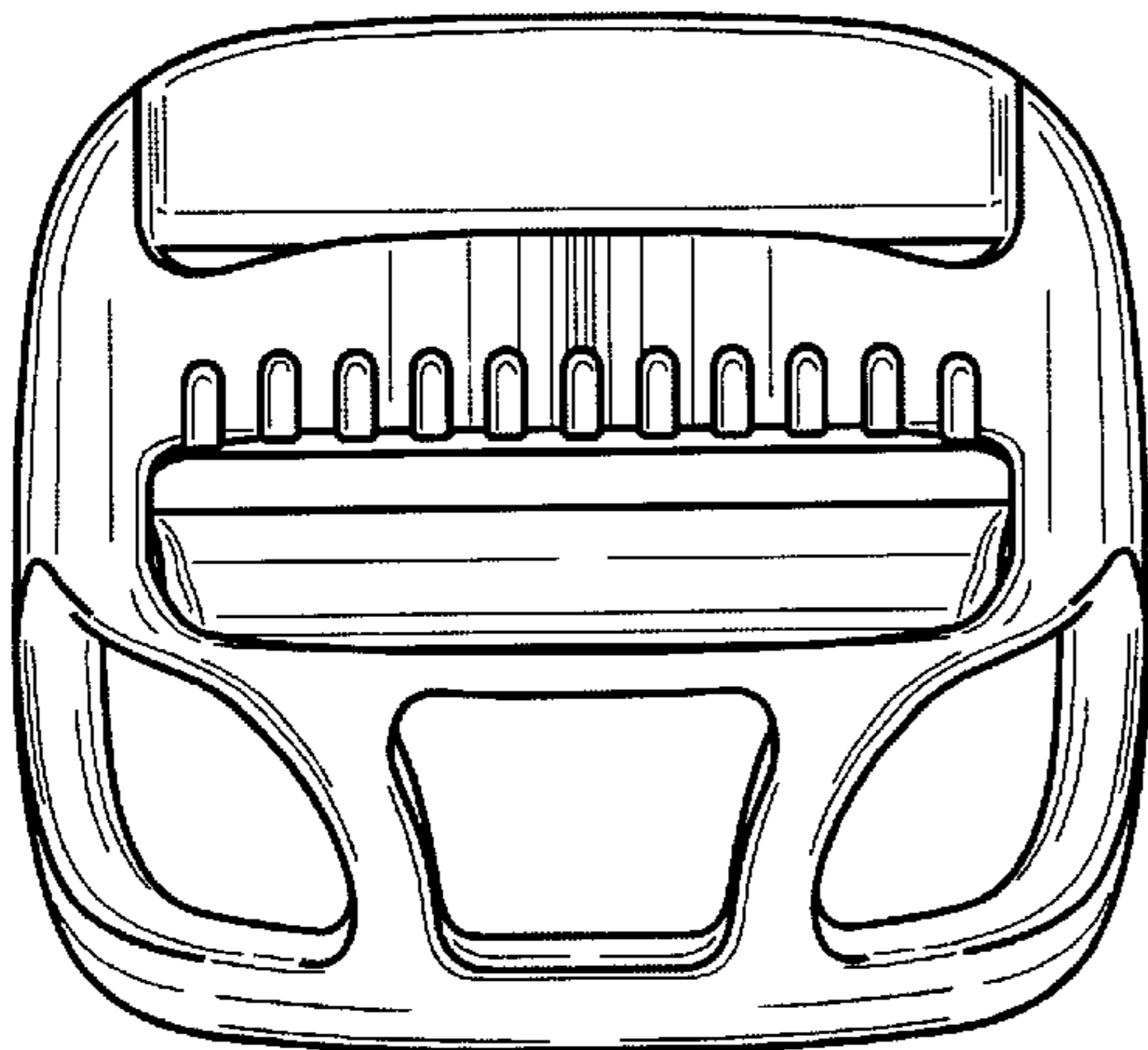


FIG. 2

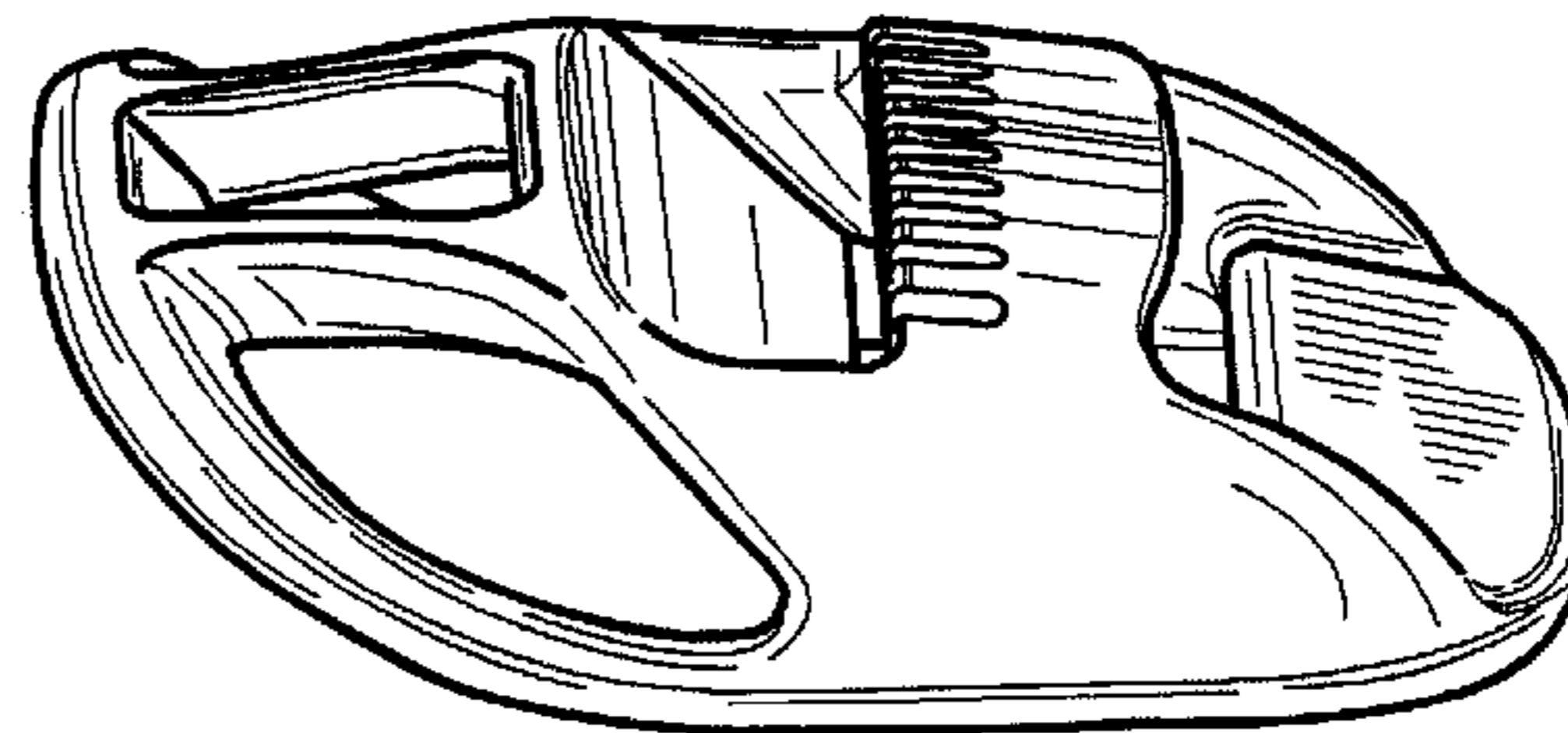
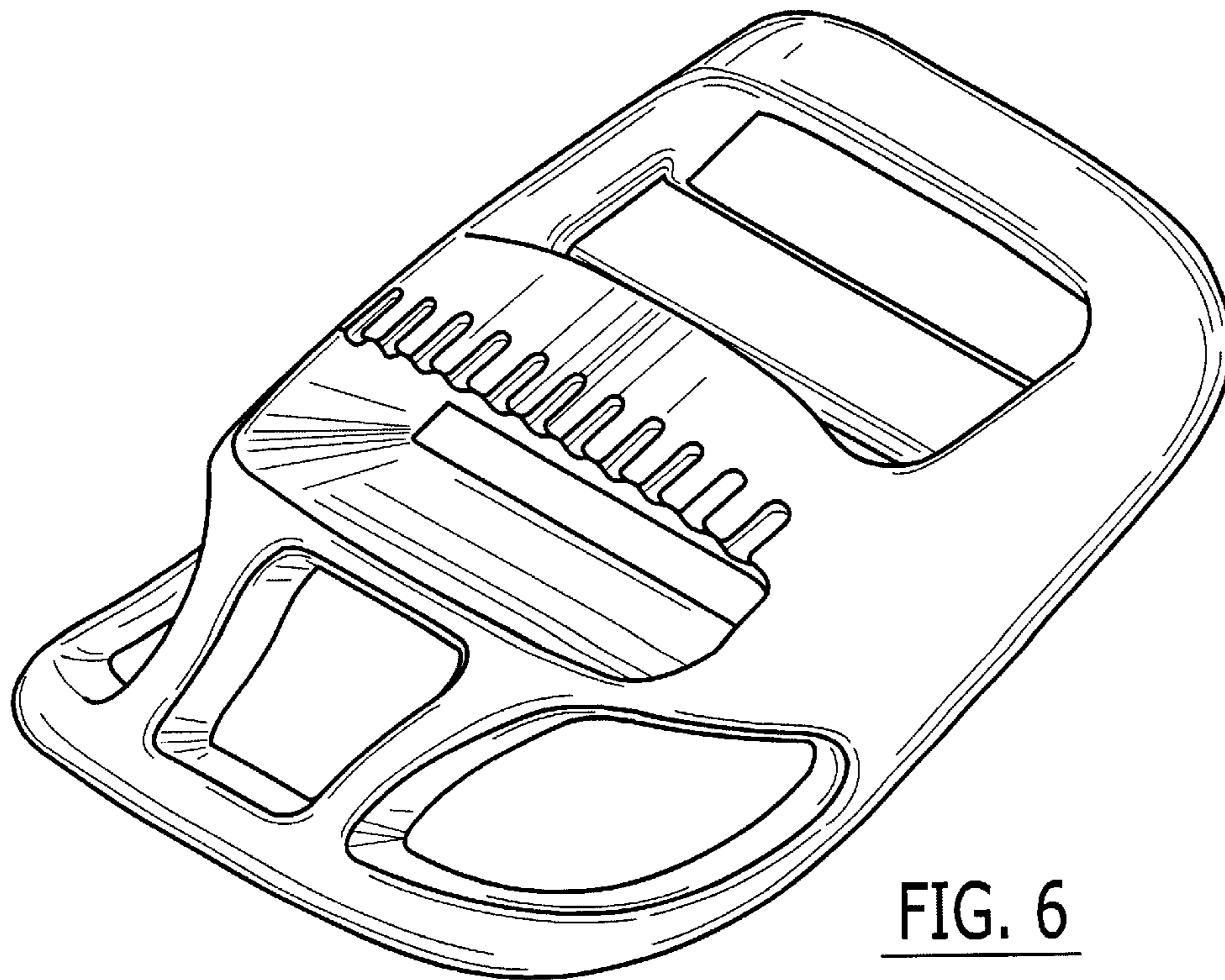
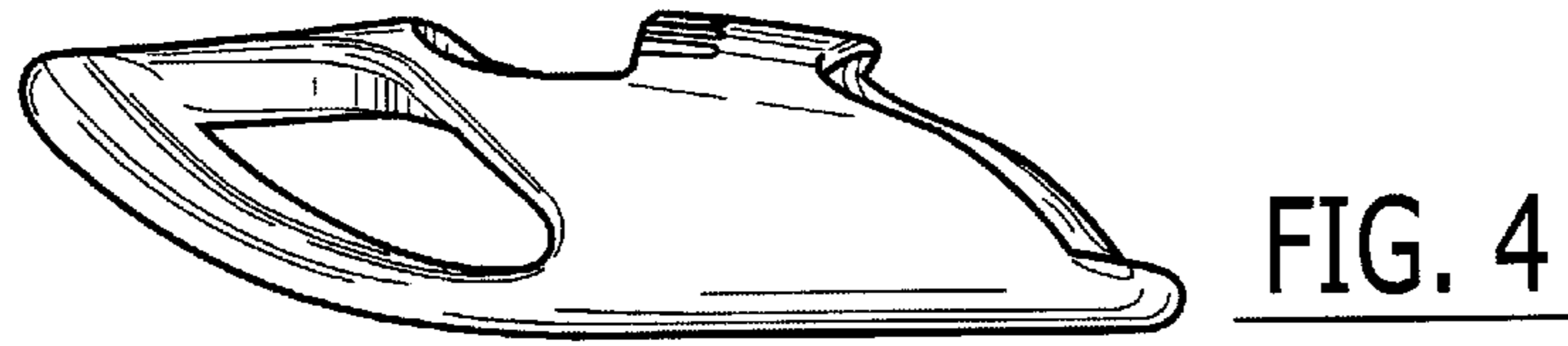


FIG. 3



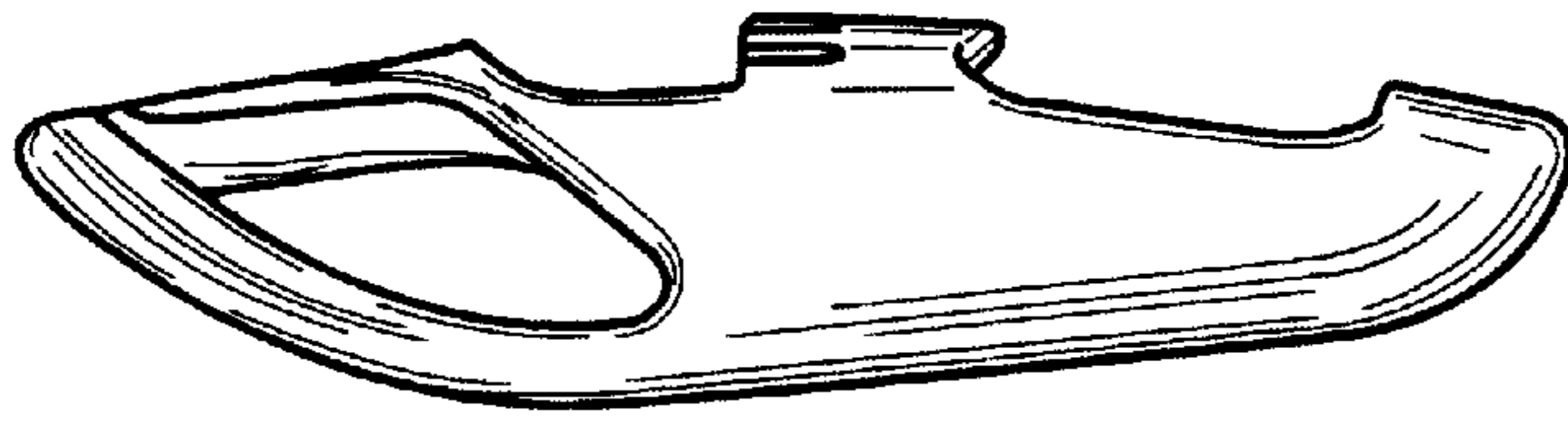


FIG. 7

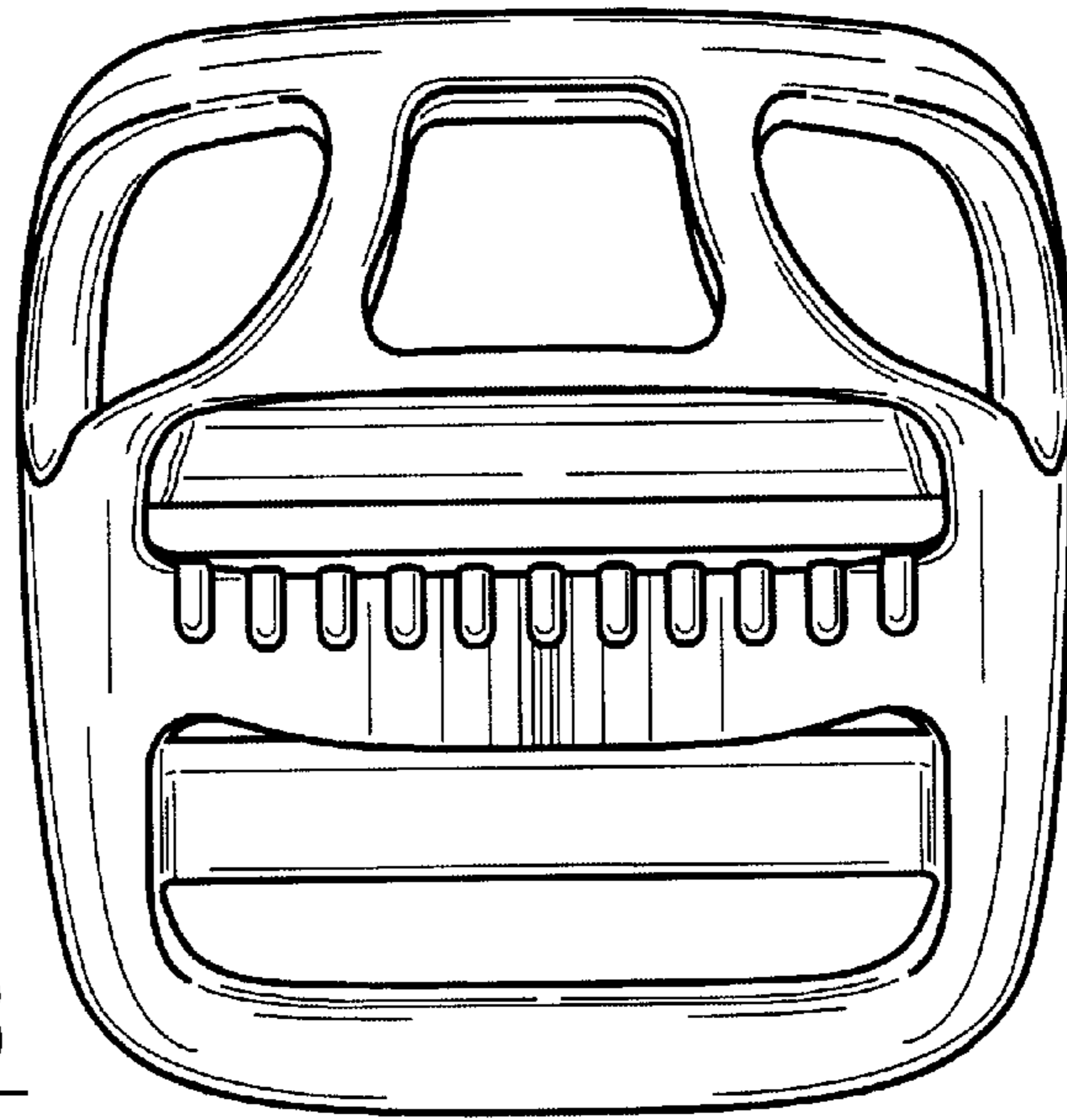


FIG. 8

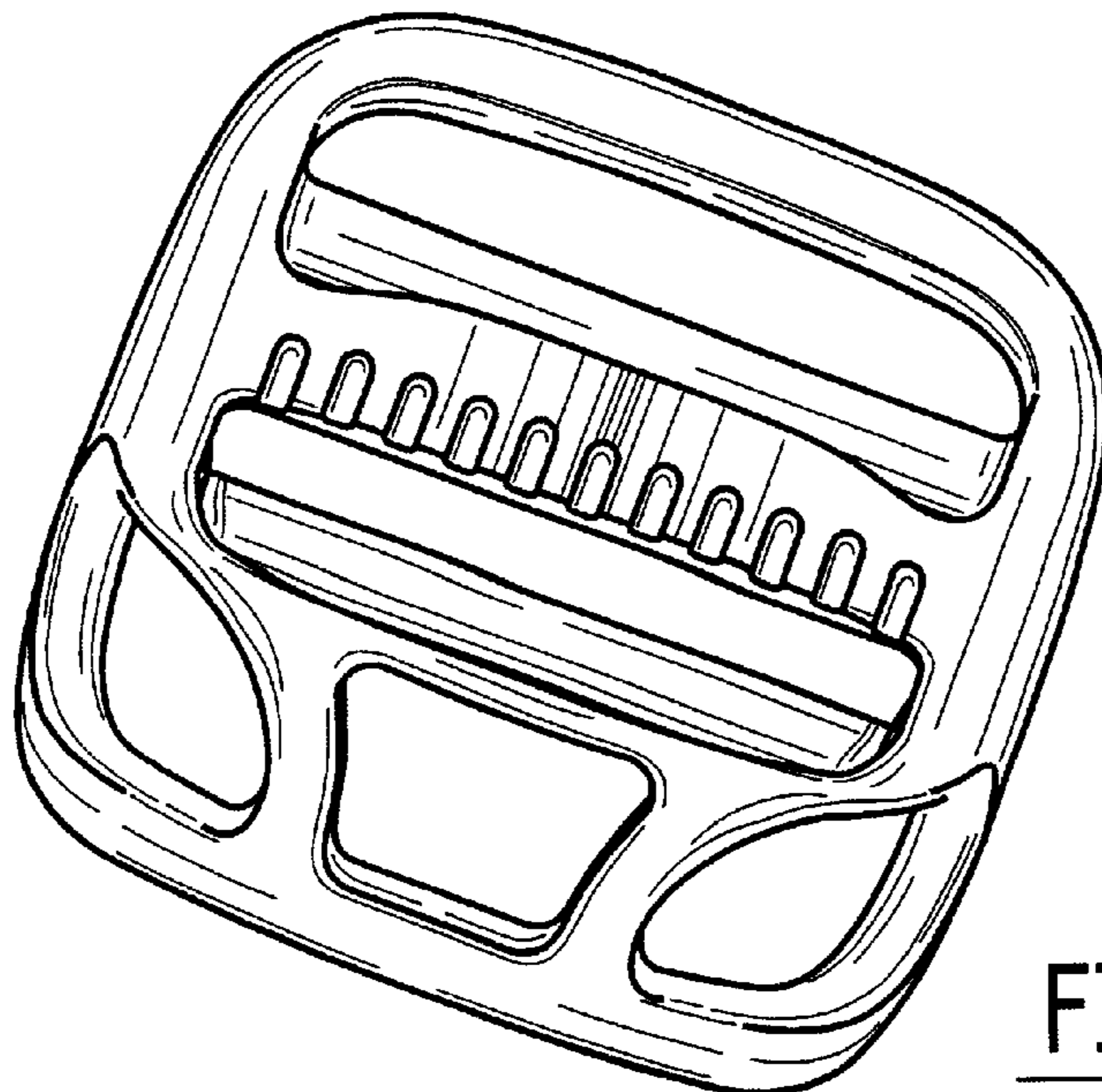


FIG. 9