

US00D509768S

(12) **United States Design Patent**  
**Tassone**

(10) **Patent No.:** **US D509,768 S**

(45) **Date of Patent:** **\*\* Sep. 20, 2005**

(54) **ORNAMENTAL GARDEN CANNON**

(76) **Inventor:** **Vincent Tassone**, Rte. 49, West  
Monroe, NY (US) 13167

(\*\*) **Term:** **14 Years**

(21) **Appl. No.:** **29/209,731**

(22) **Filed:** **Jul. 21, 2004**

(51) **LOC (8) Cl.** ..... **11-02**

(52) **U.S. Cl.** ..... **D11/157; D21/569**

(58) **Field of Search** ..... D11/131, 131.1,  
D11/141, 157, 163; D21/483, 557, 567,  
569, 570; D22/100, 101, 108, 109; D19/34.3,  
36, 42, 68, 77, 80, 82, 84, 94, 95, 97; D9/680;  
D8/1, 2; D10/45, 54, 59; D20/12, 19, 20,  
21, 29, 34, 35; D12/12; D26/57, 94, 97,  
125, 146, 147, 156; D27/106, 121, 178,  
182, 188, 192; D23/215, 222; D34/13,  
14, 24; 428/15, 542.2, 542.4; 446/23, 25,  
297, 398-401, 405, 409, 411, 429, 435,  
473; 124/29; 42/55

(56) **References Cited**

**U.S. PATENT DOCUMENTS**

79,073 A \* 6/1868 Hutchinson ..... 124/29  
D16,856 S \* 8/1886 Bishop ..... D21/569  
538,131 A \* 4/1895 Shimer ..... 42/55

D25,239 S \* 3/1896 Ives ..... D21/569  
681,079 A \* 8/1901 Short ..... 42/55  
1,151,663 A \* 8/1915 Carter ..... 124/29  
1,183,940 A \* 5/1916 Wikette ..... 124/29  
1,260,633 A \* 3/1918 Burgher ..... 124/29  
1,333,405 A \* 3/1920 Gardner ..... 42/55  
1,362,171 A \* 12/1920 Minnich ..... 124/26  
1,508,439 A \* 9/1924 Beraha ..... 73/379.01  
1,533,332 A \* 4/1925 Norris ..... 446/10  
1,591,180 A \* 7/1926 Pfeifer ..... 42/55

\* cited by examiner

*Primary Examiner*—Catherine Tuttle

(74) *Attorney, Agent, or Firm*—Bernhard P. Molldrem, Jr.

(57) **CLAIM**

The ornamental design for an ornamental garden cannon, as shown and described.

**DESCRIPTION**

FIG. 1 is a perspective view of an ornamental garden cannon, showing my new design;  
FIG. 2 is a front elevational view thereof;  
FIG. 3 is a rear elevational view thereof;  
FIG. 4 is a left side elevation thereof, the right side elevation being a mirror image;  
FIG. 5 is a top plan view thereof; and,  
FIG. 6 is a bottom view thereof.

**1 Claim, 2 Drawing Sheets**

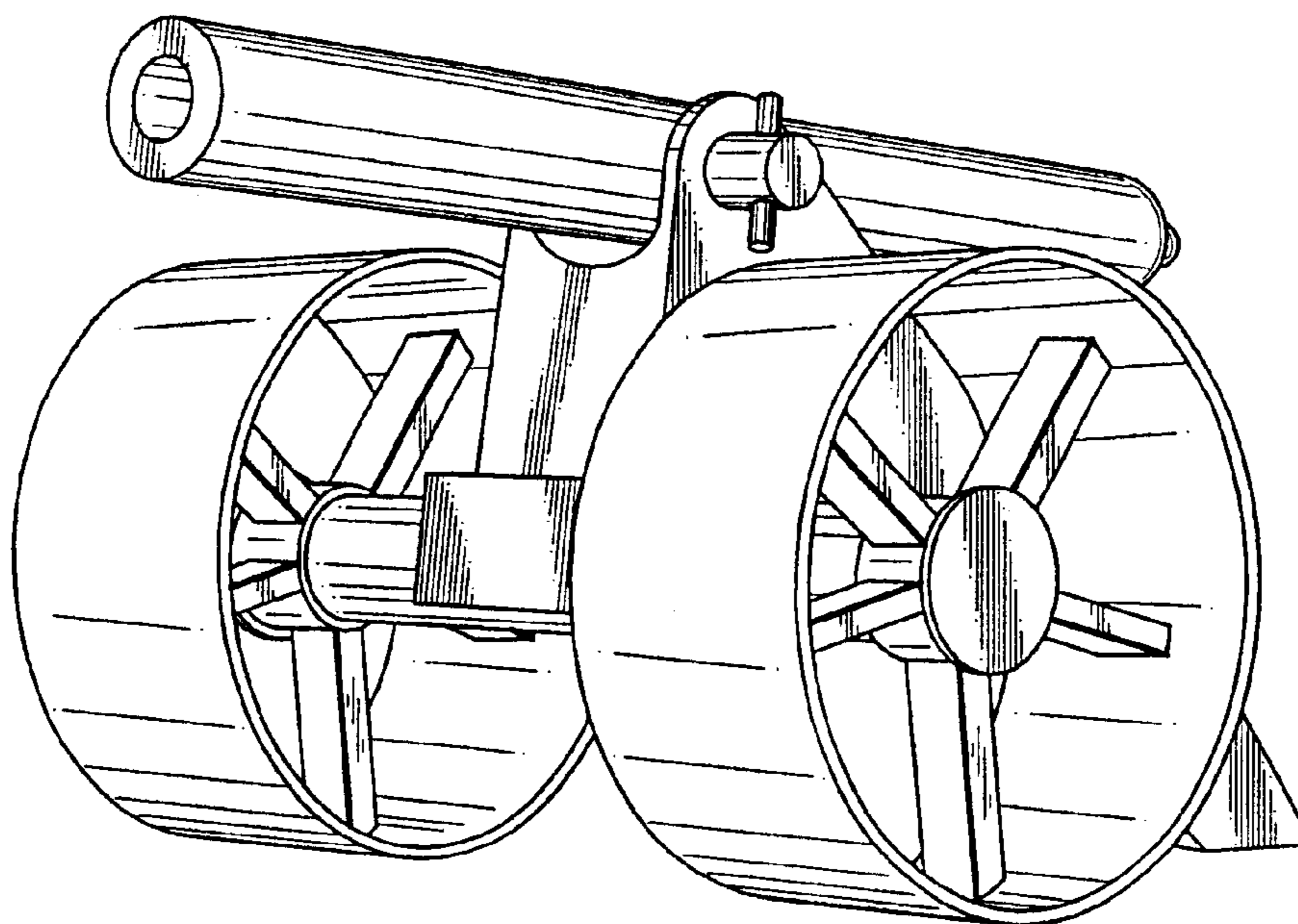


FIG.1

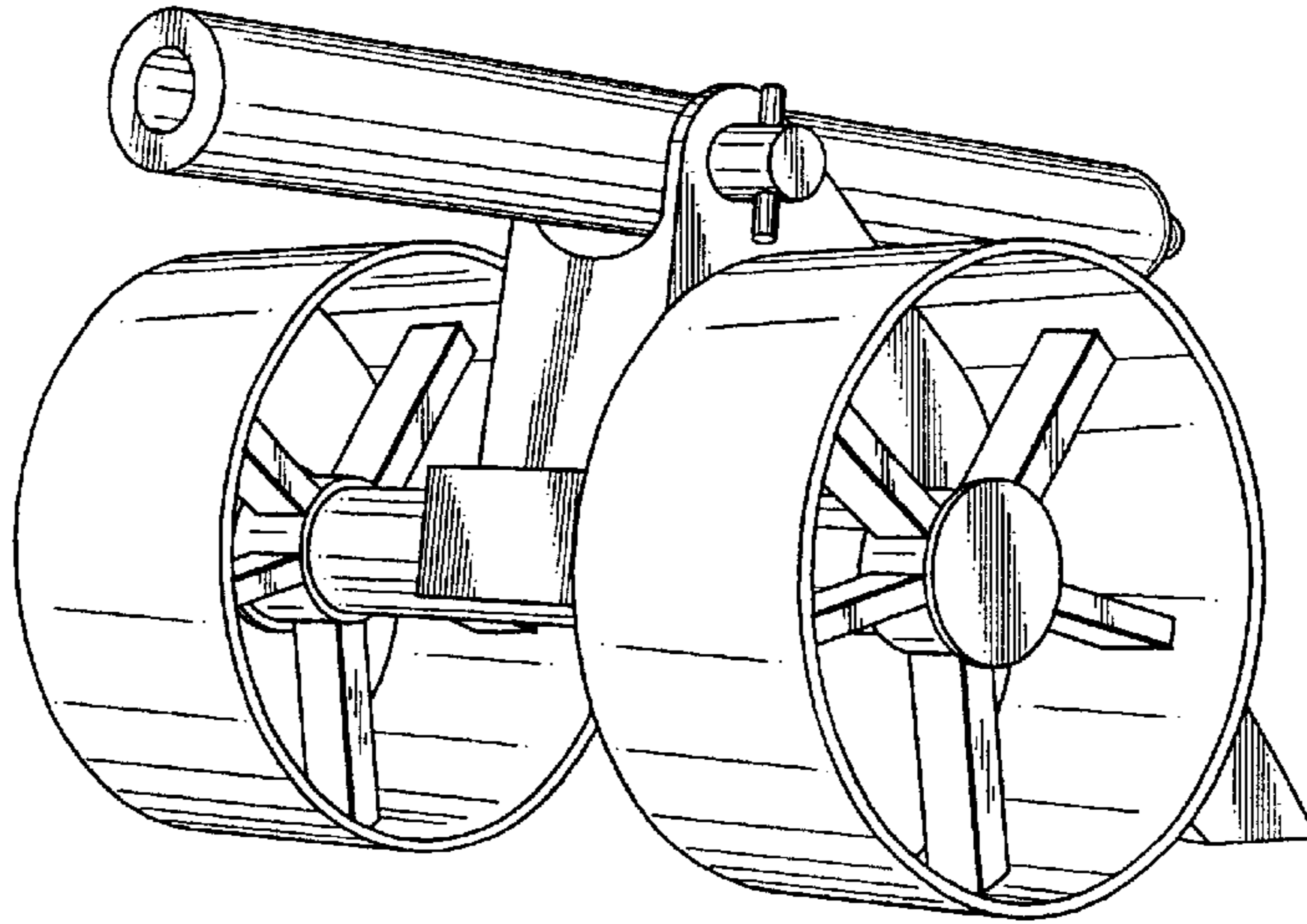


FIG.2

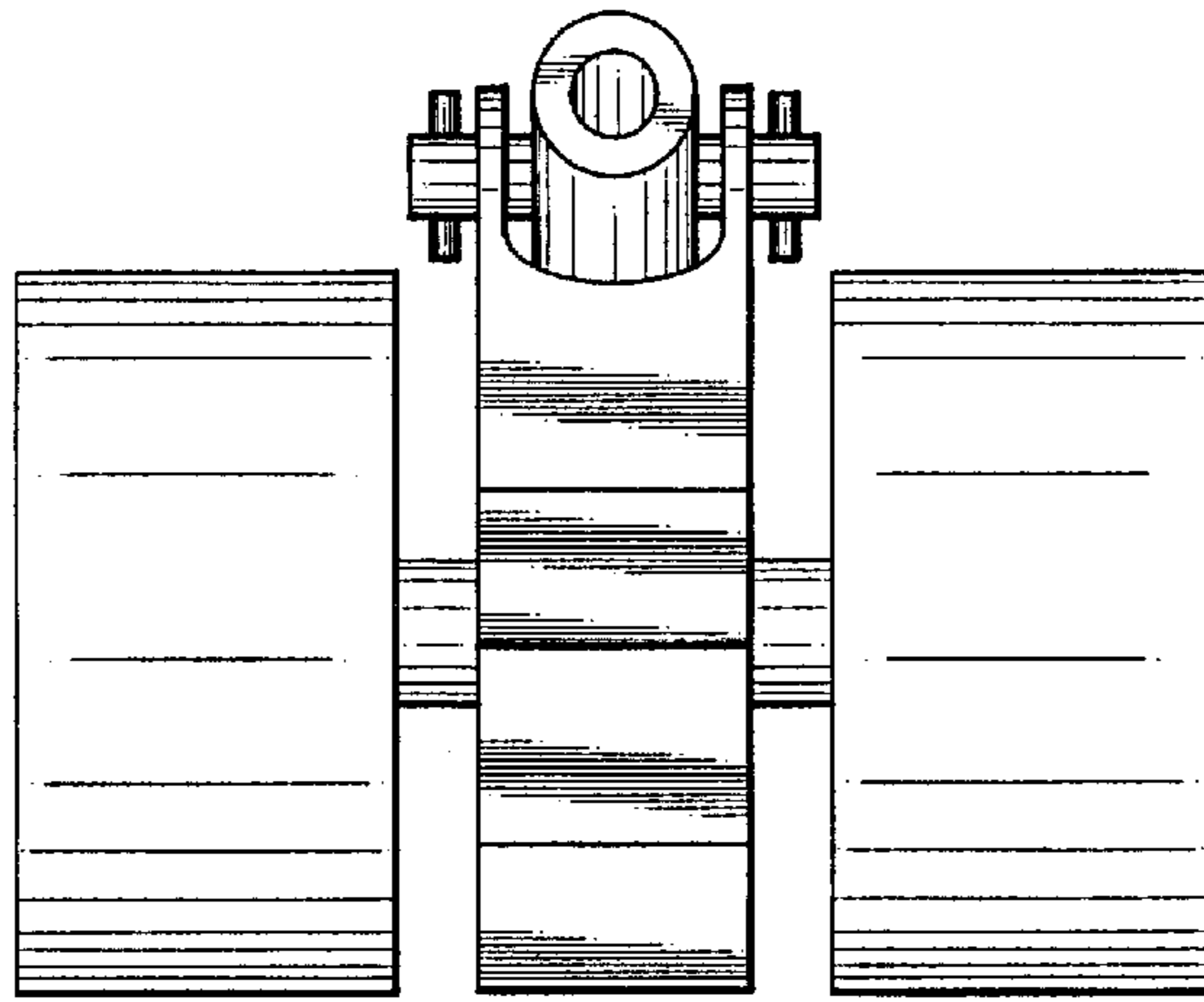


FIG.3

