



US00D509763S

(12) **United States Design Patent** (10) **Patent No.:** **US D509,763 S**  
**Dipasquale et al.** (45) **Date of Patent:** **\*\* Sep. 20, 2005**

(54) **OPTICAL INSTRUMENT**

(75) Inventors: **Kathy E. Dipasquale**, Baltimore, MD (US); **Daniel N. Lopano**, Towson, MD (US)

(73) Assignee: **Black & Decker Inc.**, Newark, DE (US)

(\*\*) Term: **14 Years**

(21) Appl. No.: **29/181,859**

(22) Filed: **May 16, 2003**

(51) **LOC (8) Cl.** ..... **10-04**

(52) **U.S. Cl.** ..... **D10/70**

(58) **Field of Search** ..... D10/66; 33/290-299

(56) **References Cited**

**U.S. PATENT DOCUMENTS**

D235,318 S	*	6/1975	Kooi	.....	D10/66
D235,319 S	*	6/1975	Kooi	.....	D10/66
D235,375 S	*	6/1975	Kooi et al.	.....	D10/66
D235,524 S	*	6/1975	Kooi et al.	.....	D10/66
D235,525 S	*	6/1975	Kooi et al.	.....	D10/66
D333,276 S	*	2/1993	Donn	.....	D10/66
D386,993 S	*	12/1997	Fujii et al.	.....	D10/66

\* cited by examiner

*Primary Examiner*—Antoine D. Davis

(74) *Attorney, Agent, or Firm*—Adan Ayala

(57) **CLAIM**

The ornamental design for an optical instrument, as shown and described.

**DESCRIPTION**

FIG. 1 is a left side elevational view of an embodiment of an optical instrument according to the invention.

FIG. 2 is a right side elevational view of the embodiment.

FIG. 3 is a perspective view from the front and left side of the embodiment.

FIG. 4 is a perspective view from the rear and left side of the embodiment.

FIG. 5 is a perspective view from the rear and right side of the embodiment.

FIG. 6 is a perspective view from the front and right side of the embodiment.

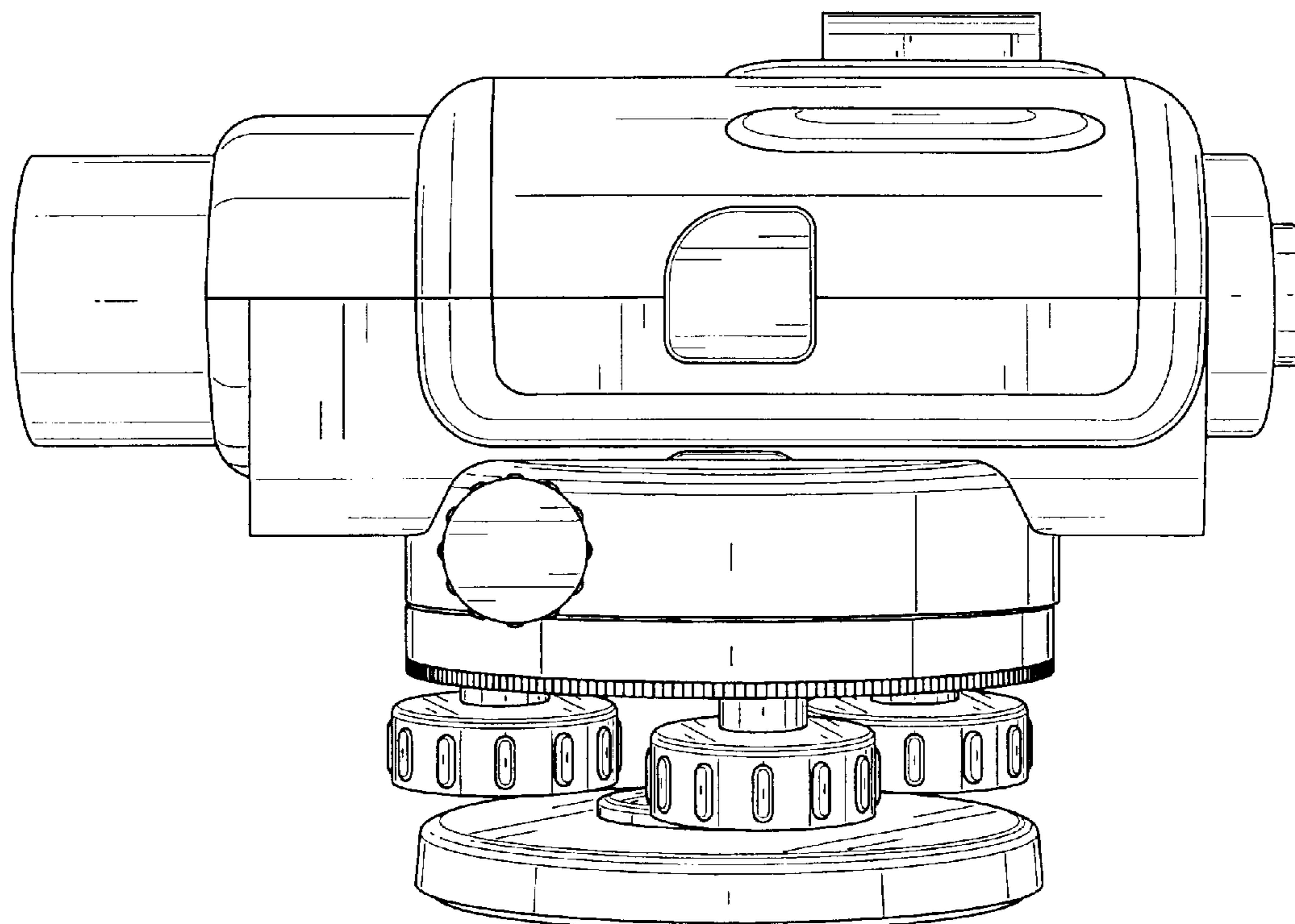
FIG. 7 is a top plan view of the embodiment.

FIG. 8 is a front elevational view of the embodiment; and,

FIG. 9 is a rear elevational view of the embodiment.

In the above drawings, any wording, measuring indicia or numerals shown therein does not form a part of the invention. Furthermore, any views not shown do not form a part of the invention.

**1 Claim, 9 Drawing Sheets**



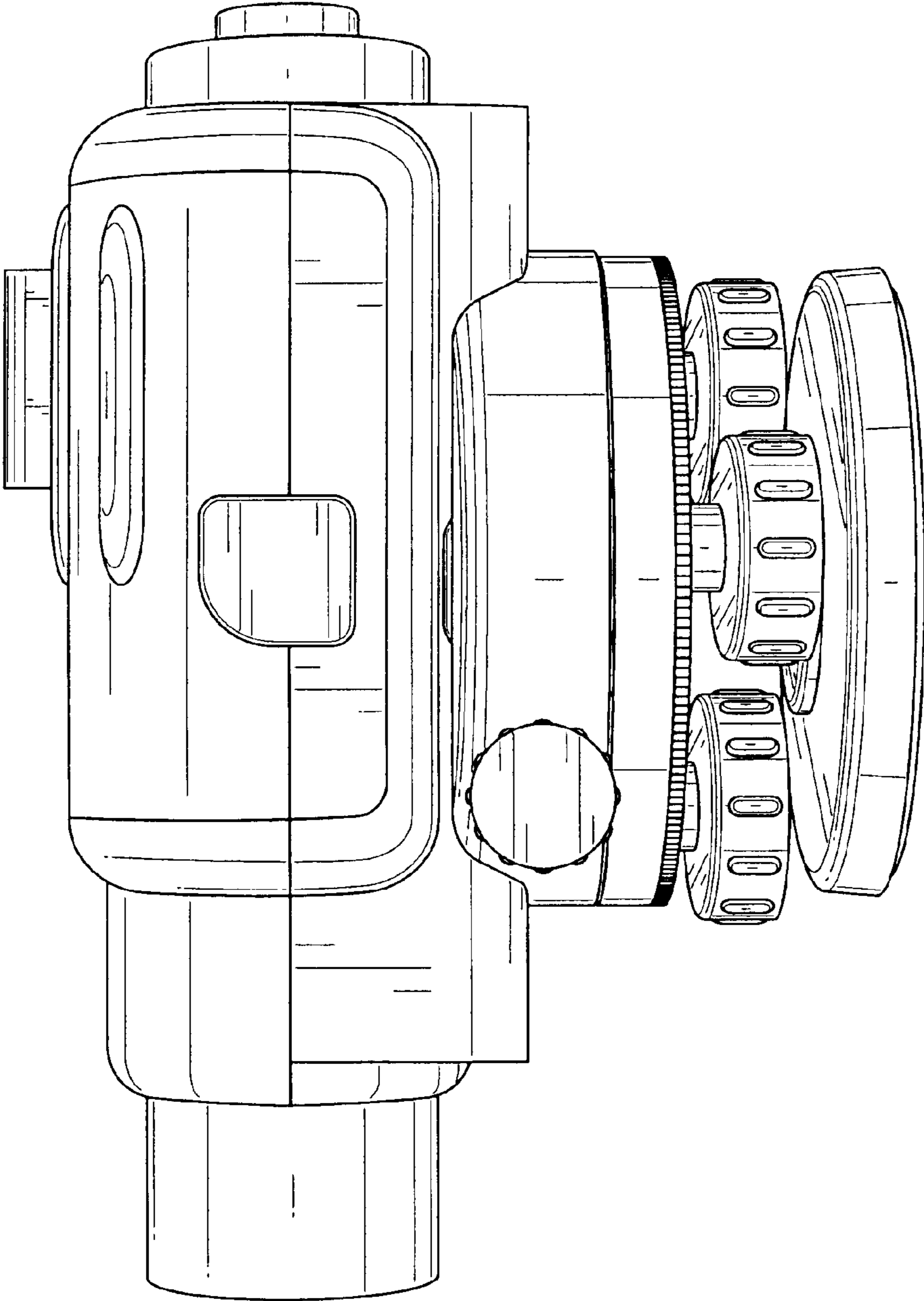


FIG. 1

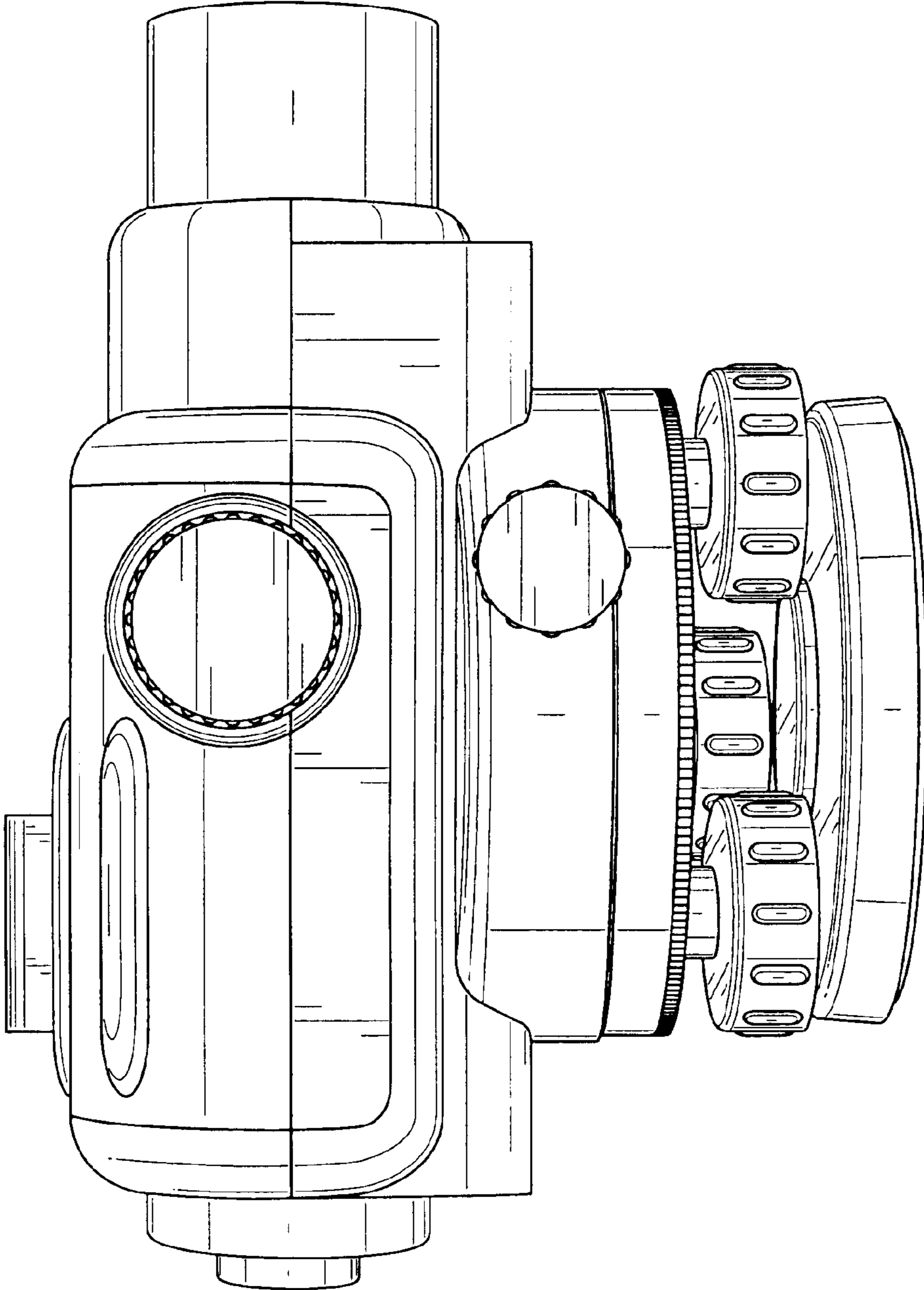


FIG. 2

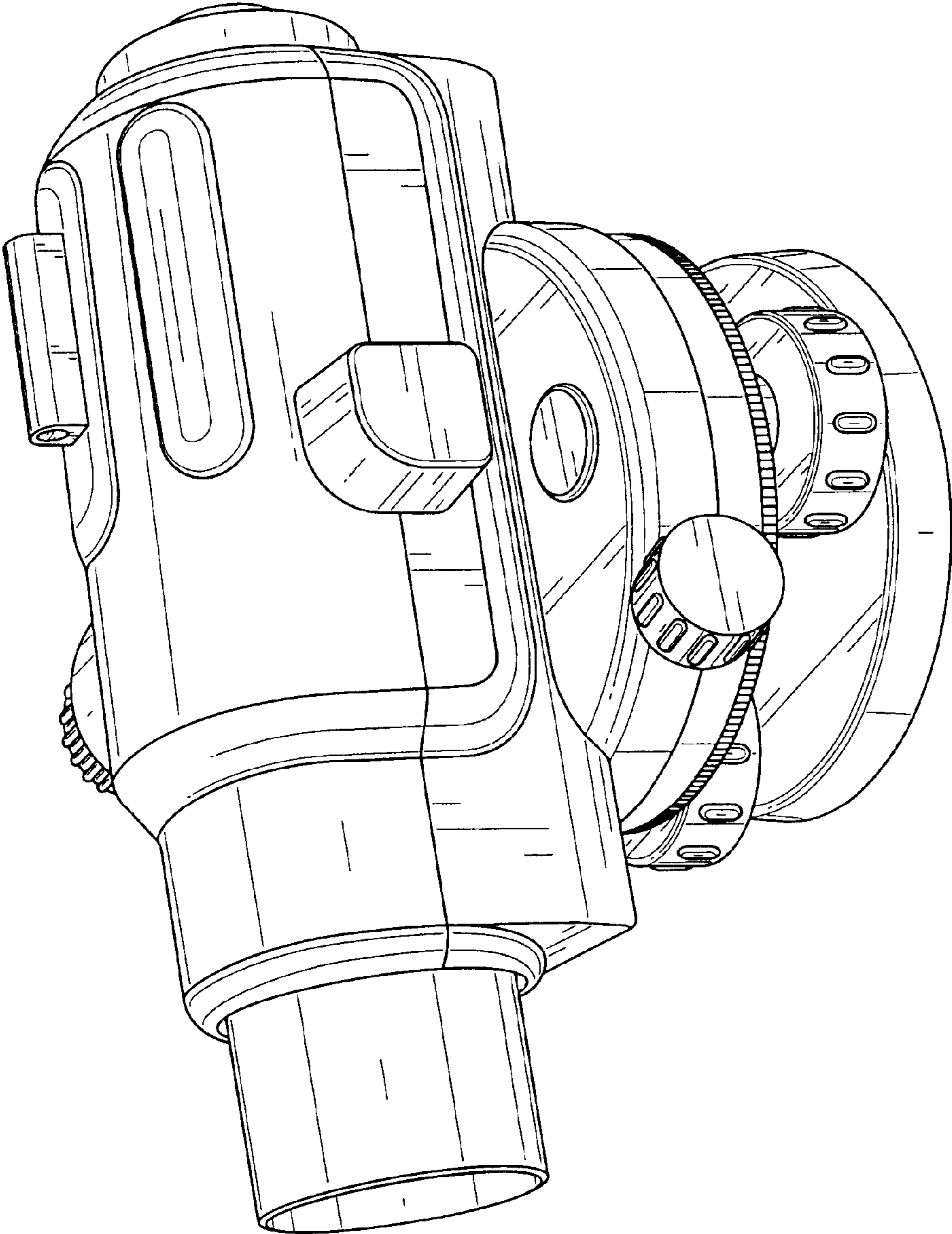


FIG. 3



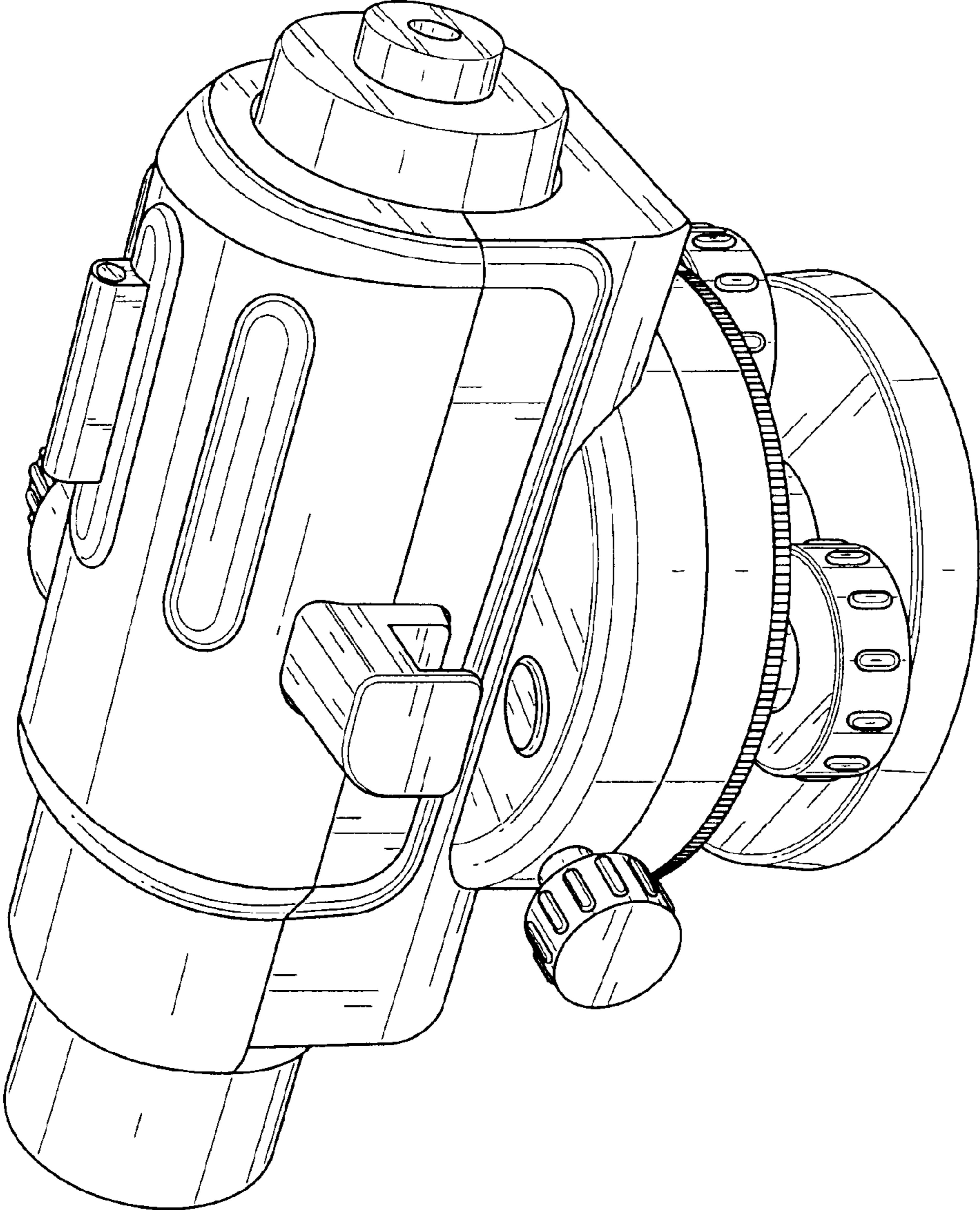


FIG. 4

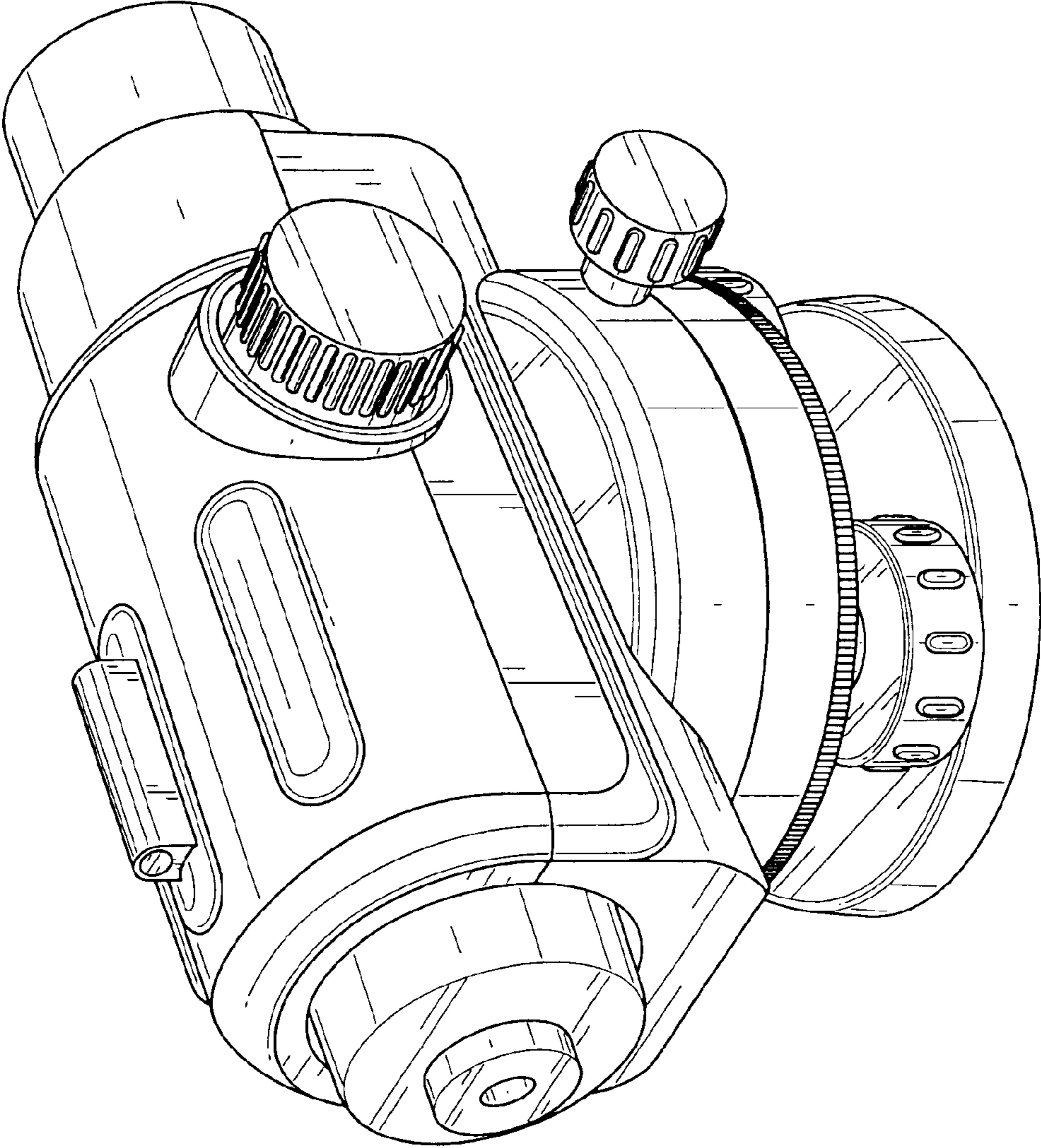


FIG. 5

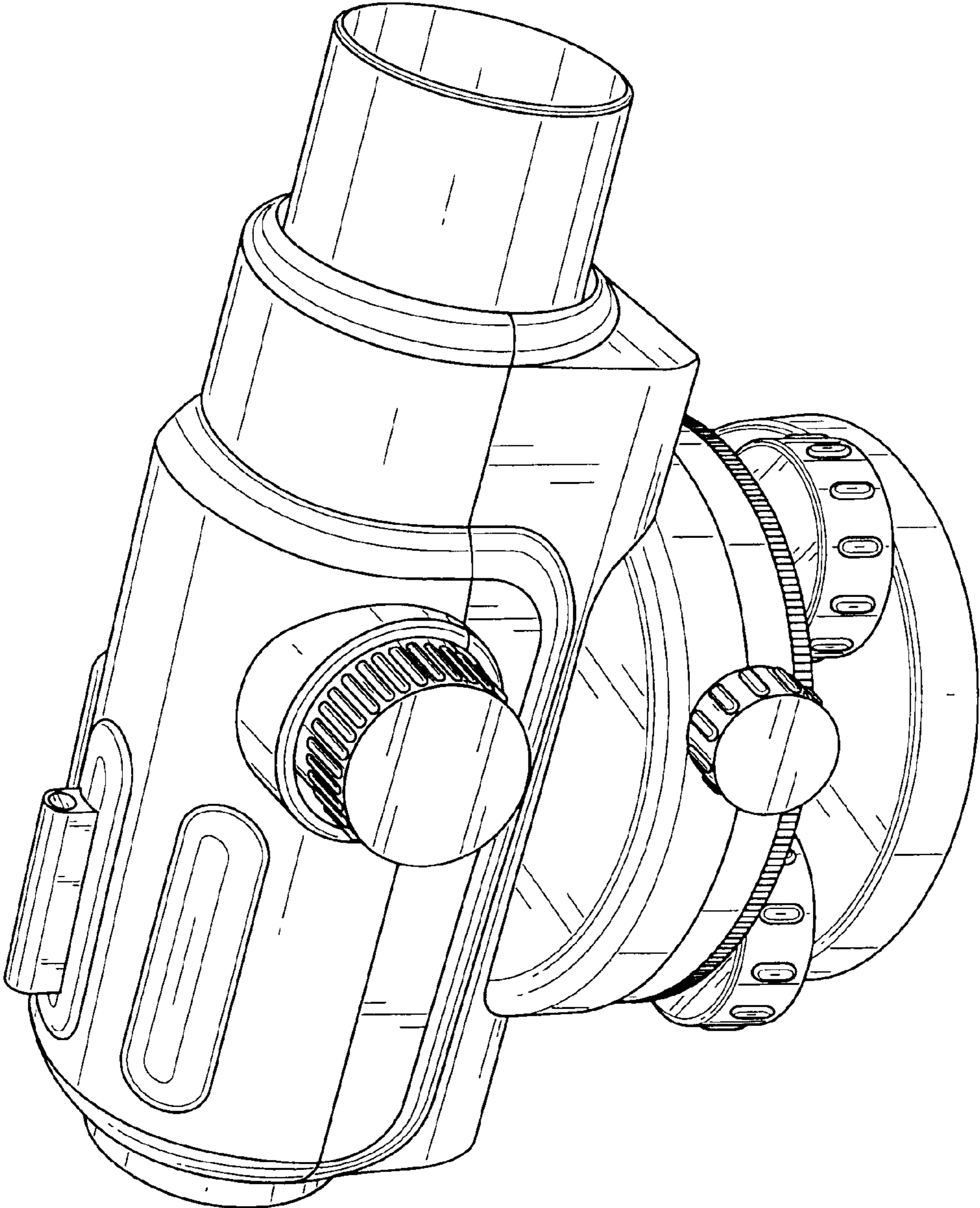


FIG. 6

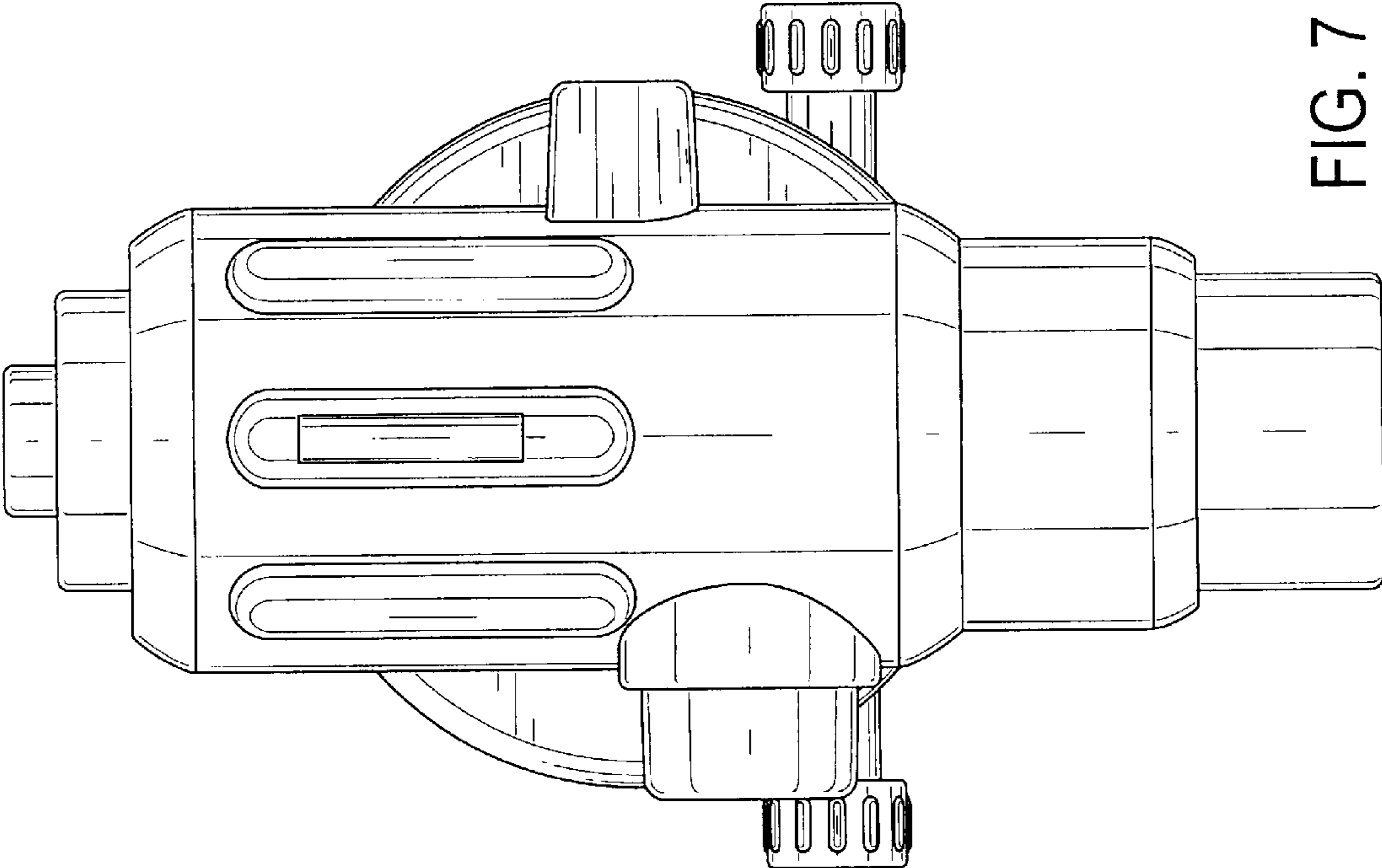


FIG. 7



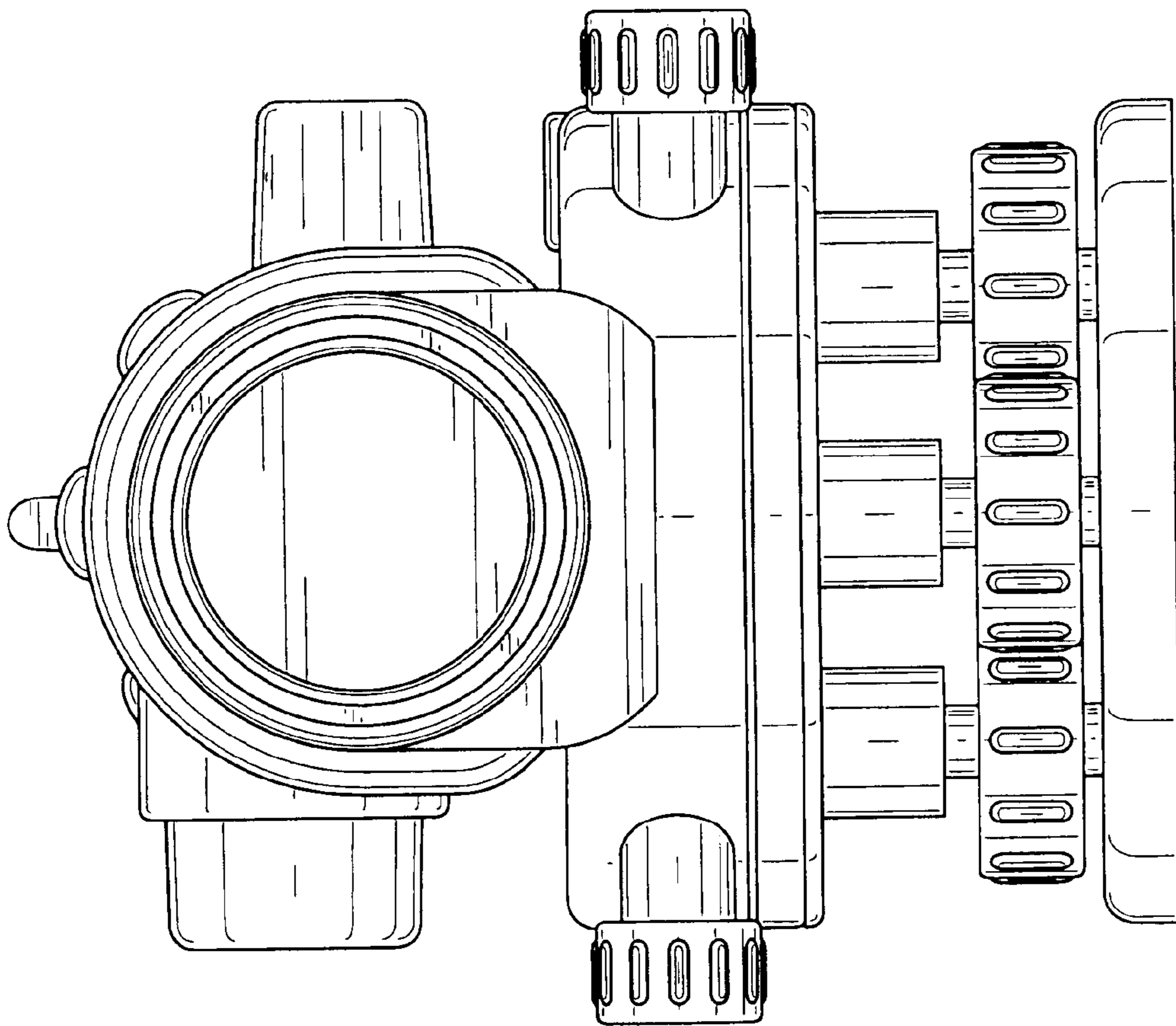


FIG. 8

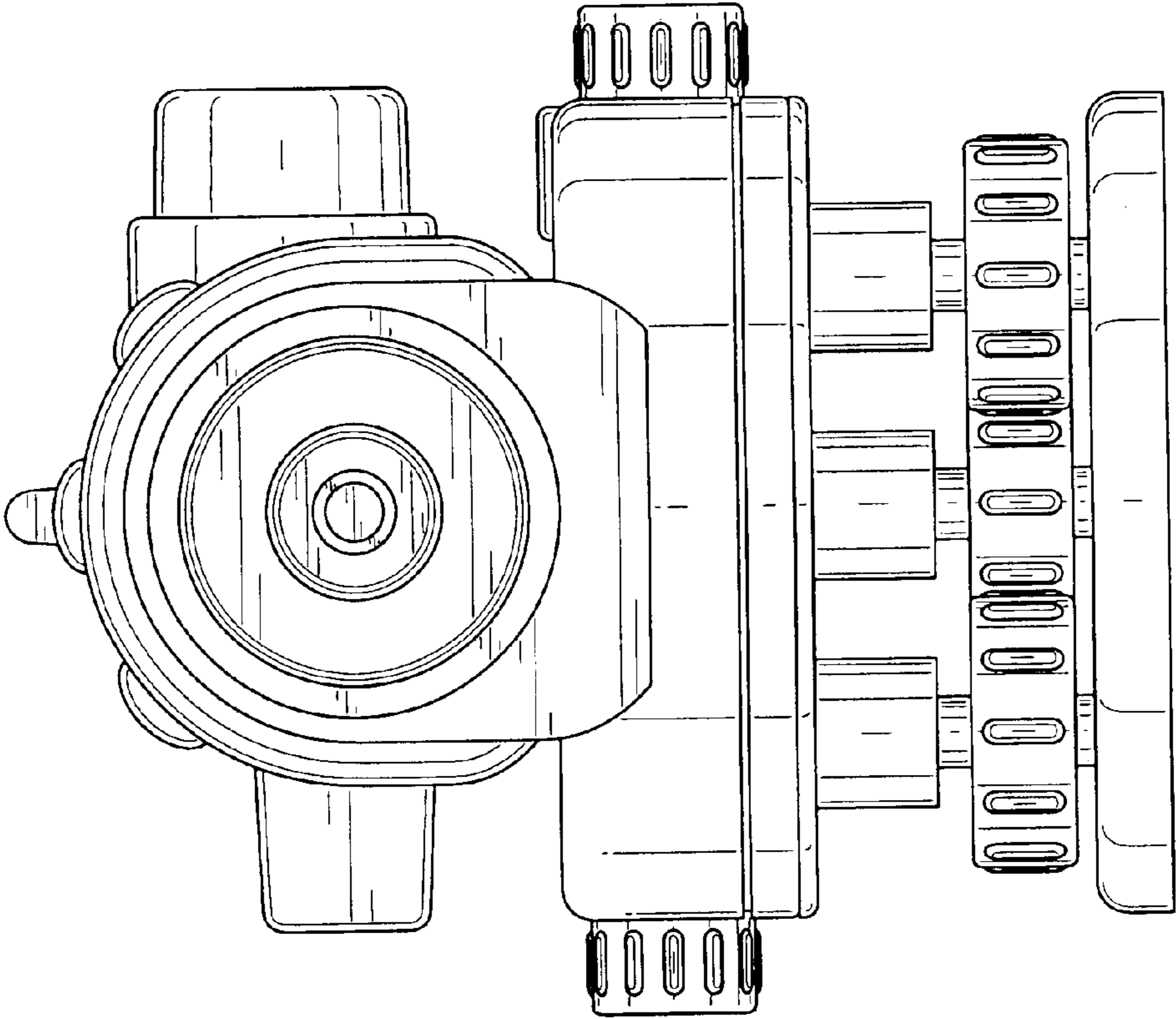


FIG. 9