

US00D509762S

(12) **United States Design Patent**  
**Scheyer**

(10) **Patent No.:** **US D509,762 S**  
(45) **Date of Patent:** **\*\* Sep. 20, 2005**

(54) **LEVEL**

(75) **Inventor:** **Wolfgang Scheyer, Götzis (AT)**

(73) **Assignee:** **SOLA-Messwerkzeuge GmbH, Götzis (AT)**

(\*\*) **Term:** **14 Years**

(21) **Appl. No.:** **29/210,298**

(22) **Filed:** **Jul. 28, 2004**

(30) **Foreign Application Priority Data**

Feb. 2, 2004 (EM) ..... 136437

(51) **LOC (8) Cl.** ..... **10-04**

(52) **U.S. Cl.** ..... **D10/69**

(58) **Field of Search** ..... D10/69; 33/365-390

(56) **References Cited**

**U.S. PATENT DOCUMENTS**

D498,152 S \* 11/2004 Hickey ..... D10/69

\* cited by examiner

*Primary Examiner*—Antoine D. Davis

(74) *Attorney, Agent, or Firm*—Friedrich Kueffner

(57) **CLAIM**

The ornamental design for a level, as shown and described.

**DESCRIPTION**

FIG. 1 is a side view of a level showing my new design;

FIG. 2 is a top view thereof;

FIG. 3 is a another side view thereof;

FIG. 4 is a bottom view thereof;

FIG. 5 is a front view thereof;

FIG. 6 is a rear view thereof;

FIG. 7 is a perspective top view thereof;

FIG. 8 is, on a larger scale, a perspective view of an end of the level;

FIG. 9 is a side view of another embodiment of a level;

FIG. 10 is a top view thereof;

FIG. 11 is a another side view thereof;

FIG. 12 is a bottom view thereof;

FIG. 13 is a front view thereof;

FIG. 14 is a rear view thereof;

FIG. 15 is a perspective top view thereof;

FIG. 16 is, on a larger scale, a perspective view of an end of the level;

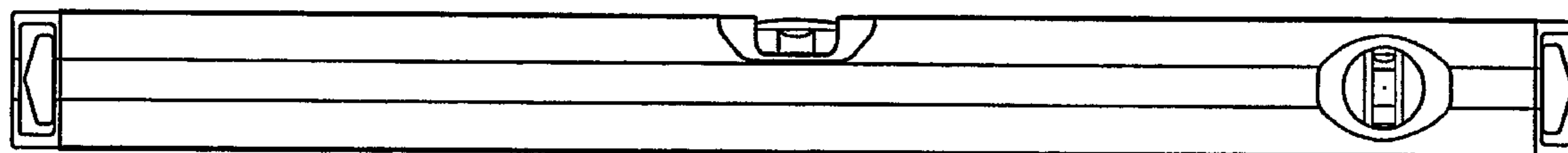
FIG. 17 is a perspective view of another embodiment of the level;

FIG. 18 is a another perspective view thereof;

FIG. 19 is a perspective view of another embodiment of the level; and,

FIG. 20 is a another perspective view thereof.

**1 Claim, 6 Drawing Sheets**



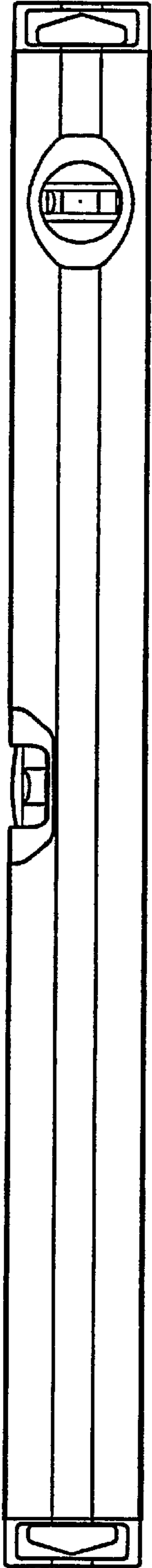


FIG. 1



FIG. 2

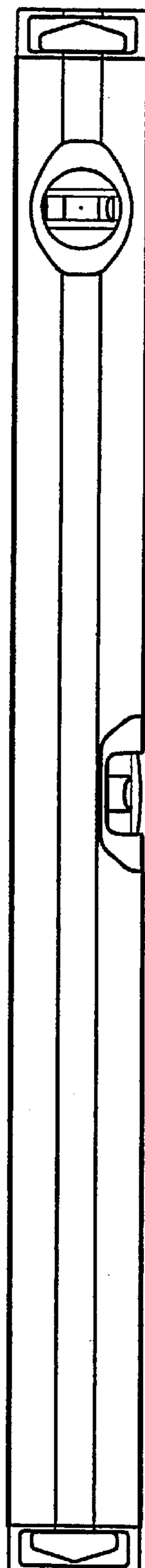


FIG. 3



FIG. 4



FIG. 5

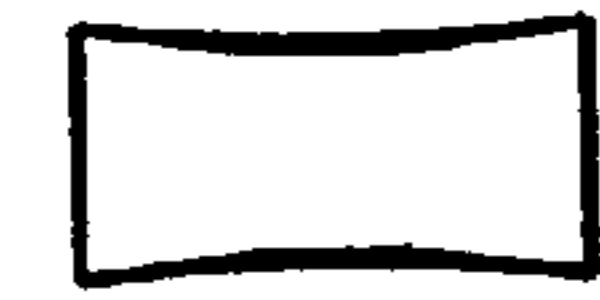


FIG. 6

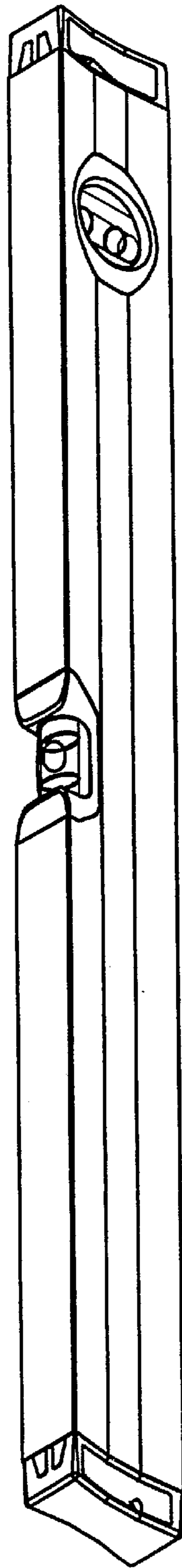
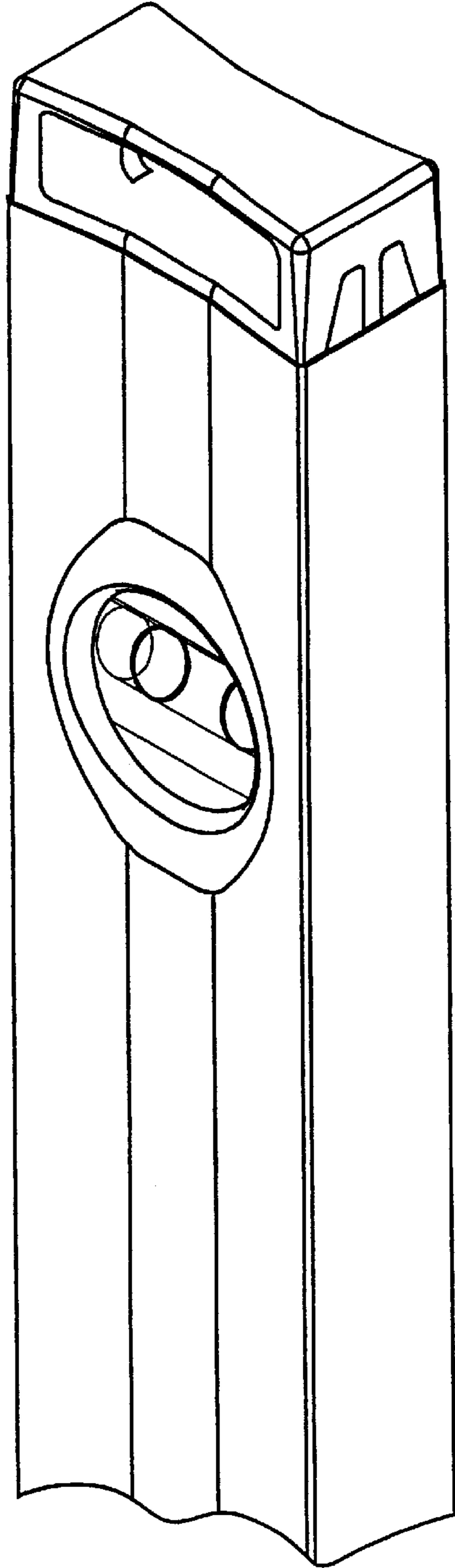


FIG. 7

FIG. 8



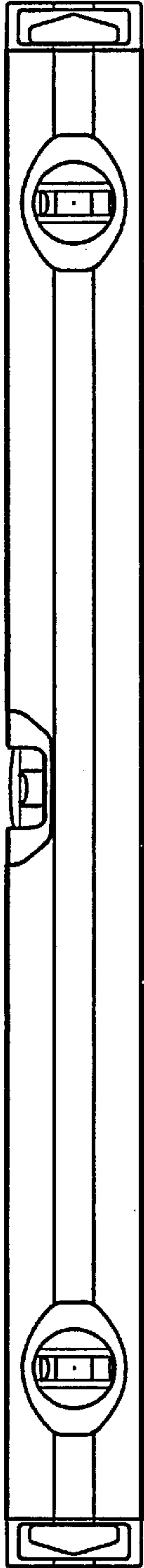


FIG. 9



FIG. 10

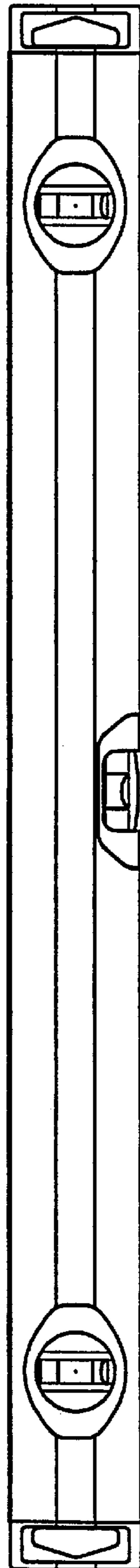


FIG. 11

FIG. 12





FIG. 13



FIG. 14

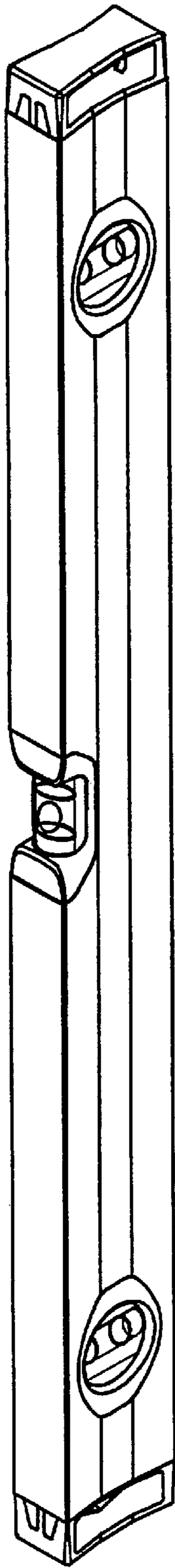
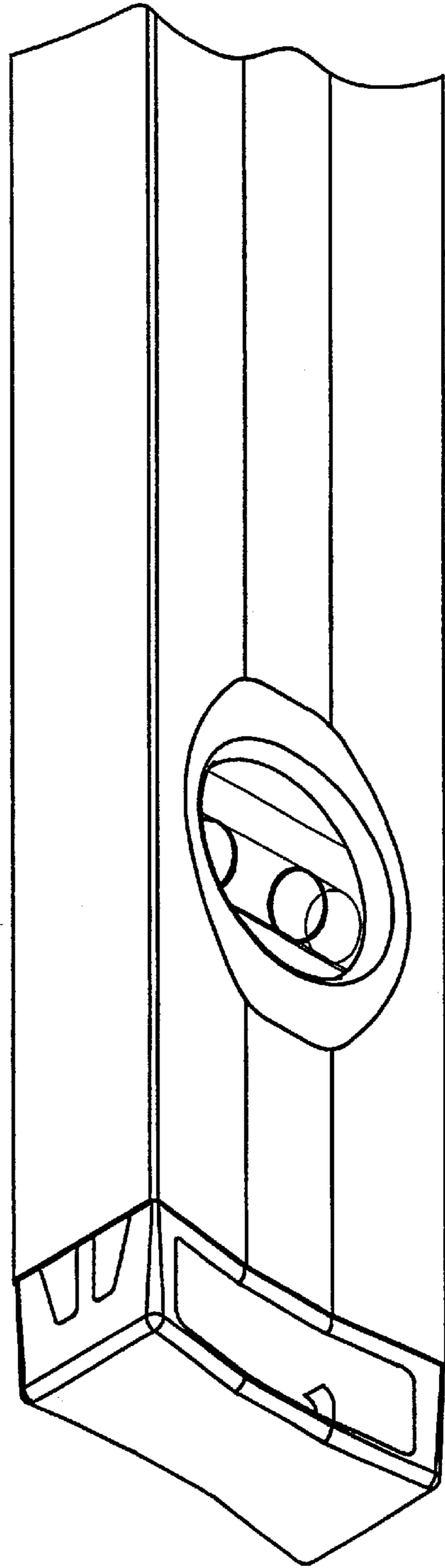


FIG. 15

FIG. 16



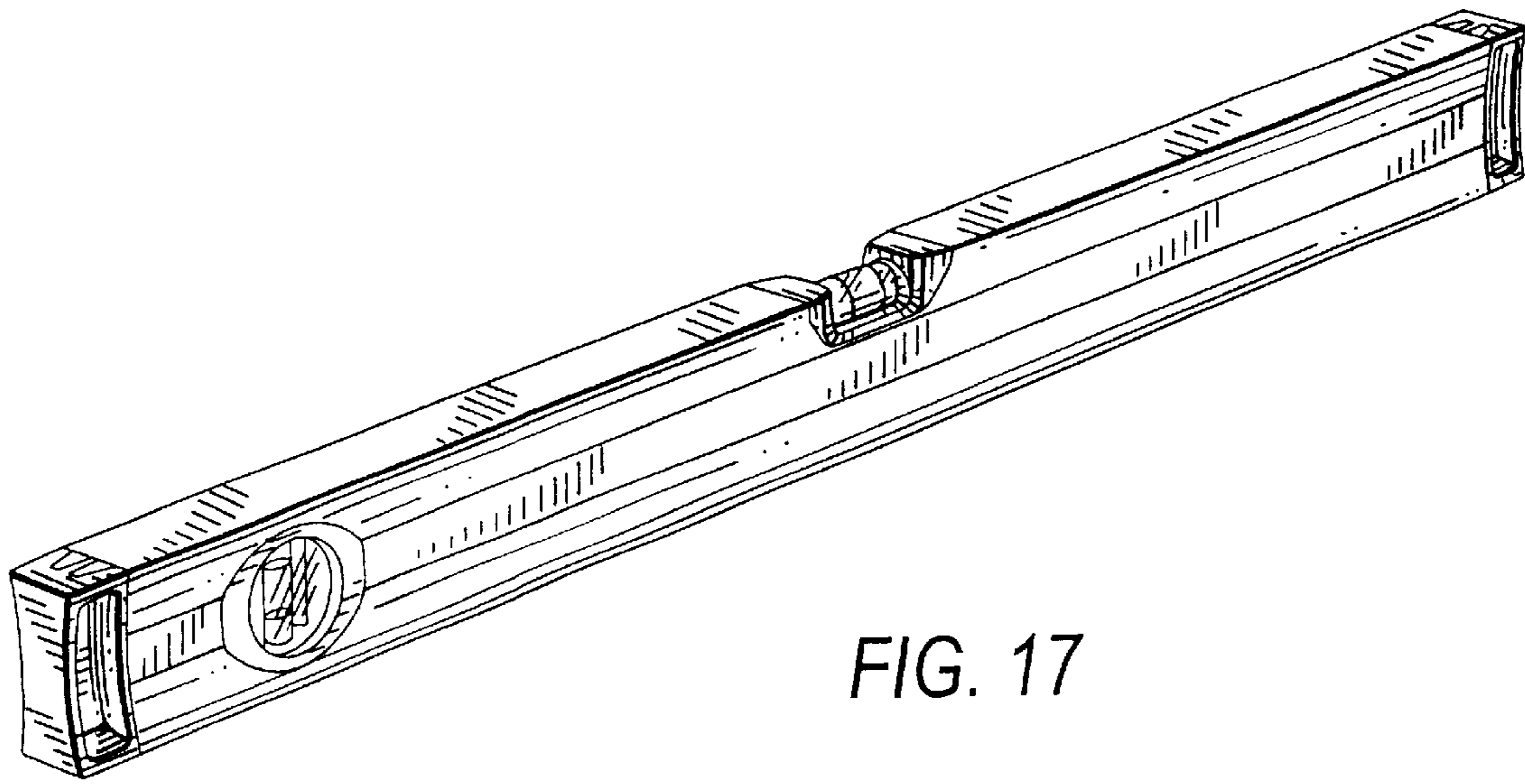


FIG. 17

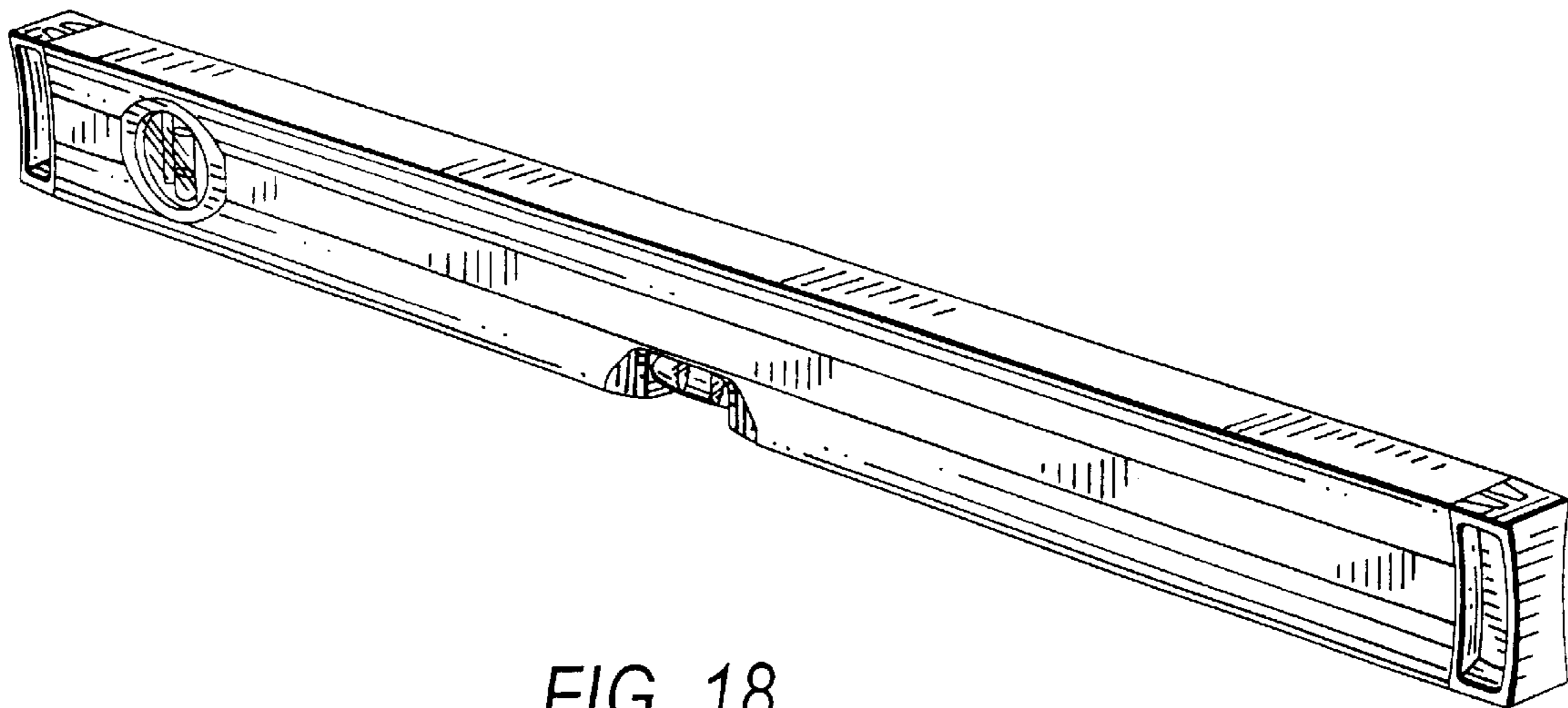


FIG. 18



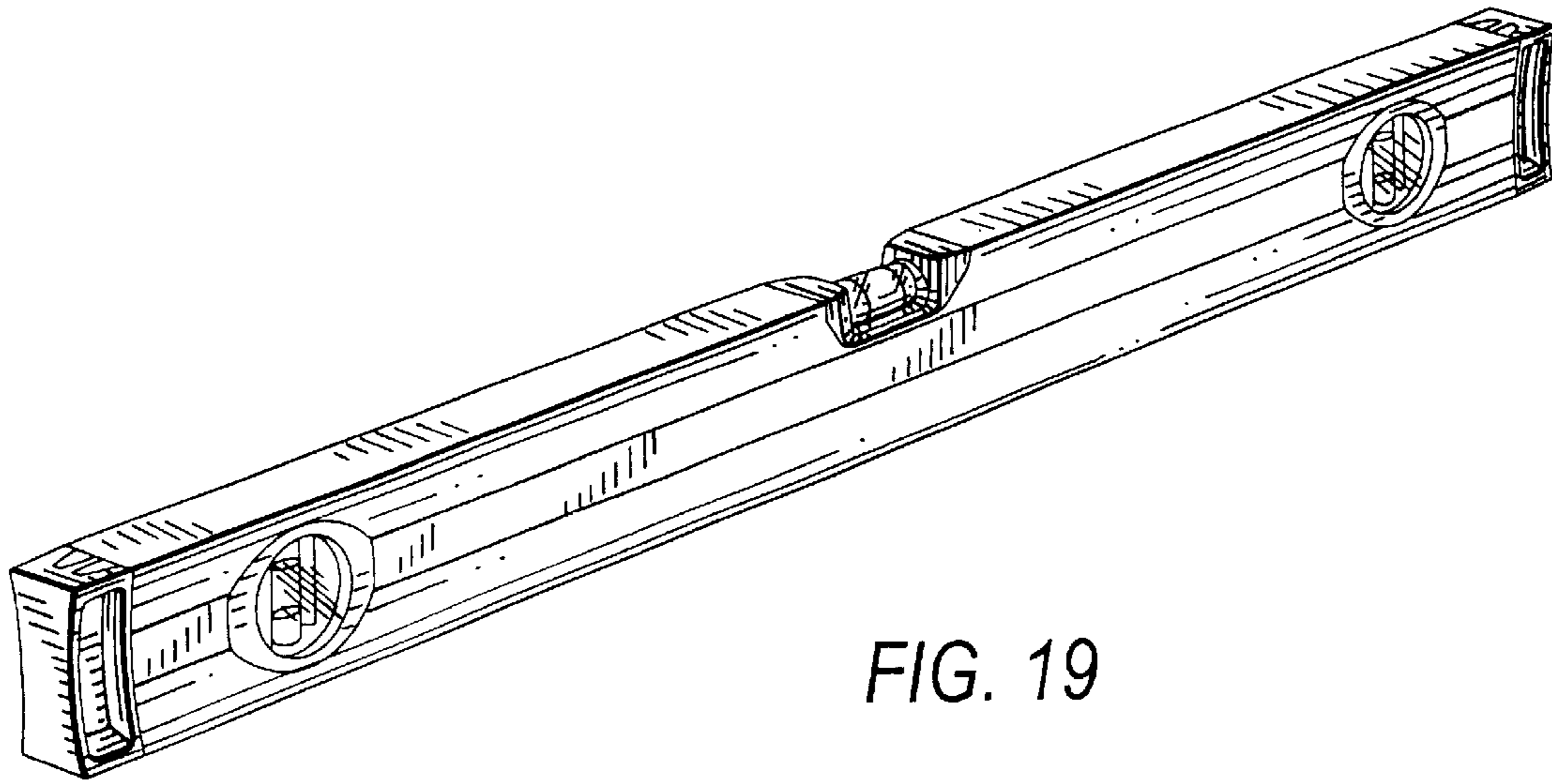


FIG. 19

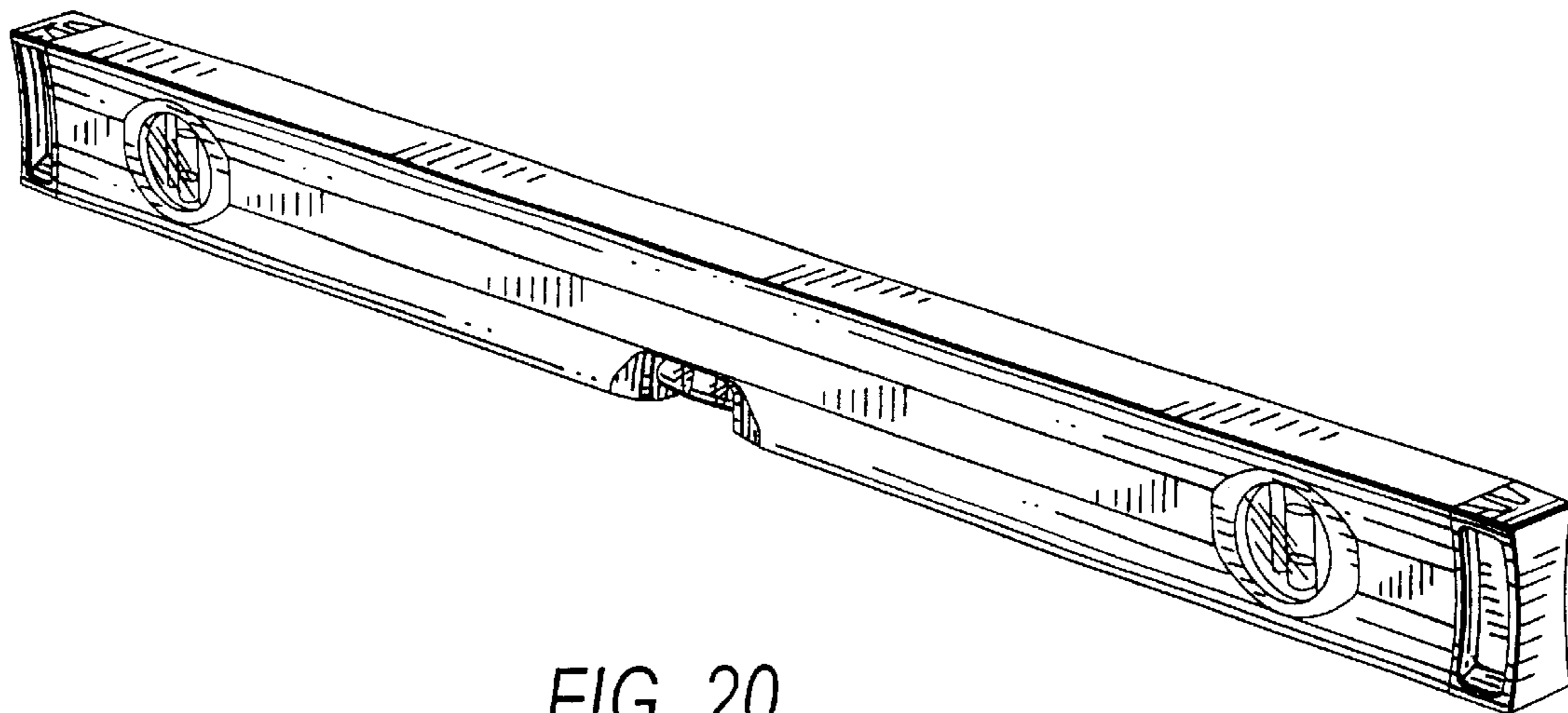


FIG. 20