

US00D509761S

(12) **United States Design Patent**
Kallabis

(10) **Patent No.:** **US D509,761 S**
(45) **Date of Patent:** **** Sep. 20, 2005**

(54) **LASER LEVEL**

(75) Inventor: **Gabriel Kallabis**, Spirkelbach (DE)

(73) Assignee: **Stabila-Messgerate Gustav Ullrich GmbH**, Annweiler am Trifels (DE)

(**) Term: **14 Years**

(21) Appl. No.: **29/181,439**

(22) Filed: **May 10, 2003**

(30) **Foreign Application Priority Data**

Nov. 11, 2002 (WO) DM/062 125

(51) **LOC (8) Cl.** **10-04**

(52) **U.S. Cl.** **D10/69**

(58) **Field of Search** D10/69, 65, 74;
33/285, 286, 290, 291, 292, 348, 348.2,
379-383; 356/247, 248, 249, 250, 138

(56) **References Cited**

U.S. PATENT DOCUMENTS

3,663,111	A	*	5/1972	Tsuda et al.	356/250
5,666,736	A	*	9/1997	Wen	33/291
5,960,551	A	*	10/1999	Nishi et al.	33/292
D418,432	S	*	1/2000	Krantz	D10/69
6,035,540	A	*	3/2000	Wu et al.	33/286
6,128,326	A	*	10/2000	Kousek et al.	372/109
D461,135	S	*	8/2002	Watson et al.	D10/69
D469,369	S	*	1/2003	Durkin	D10/69

OTHER PUBLICATIONS

Gempler's, 2002, p. 315, levels,[retrieved on Apr. 7, 2004]. Retrieved from internet using Google Advanced catalog Search, <URL: www.gemplers.com>.*

Surplus Center, 2003, p. 161, levels [retrieved on Apr. 7, 2004]. Retrieved from internet using Google Advanced Catalog searc <URL: www.surpluscenter.com>.*

* cited by examiner

Primary Examiner—Lucy Lieberman

(74) *Attorney, Agent, or Firm*—Friedrich Kueffner

(57) **CLAIM**

The ornamental design for a laser level, as shown and described.

DESCRIPTION

FIG. 1 is a top view of another embodiment of a laser level showing my new design;

FIG. 2 is a front view thereof;

FIG. 3 is a side view thereof;

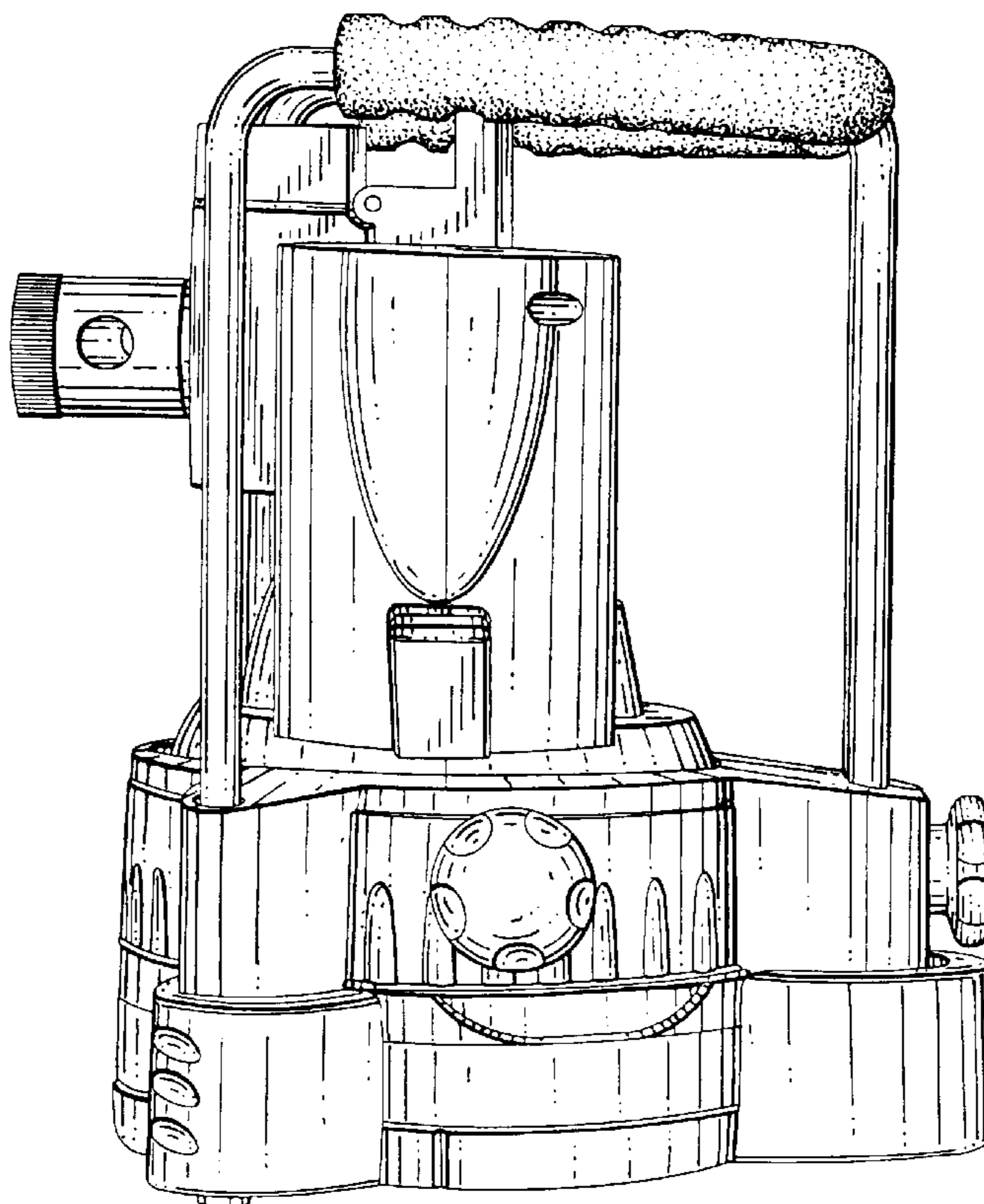
FIG. 4 is another side view thereof;

FIG. 5 is a rear view thereof; and,

FIG. 6 is a bottom view thereof.

The broken lines shown in FIGS. 1, 5 and 6 are for illustrative purposes only and do not form part of the claimed design.

1 Claim, 6 Drawing Sheets



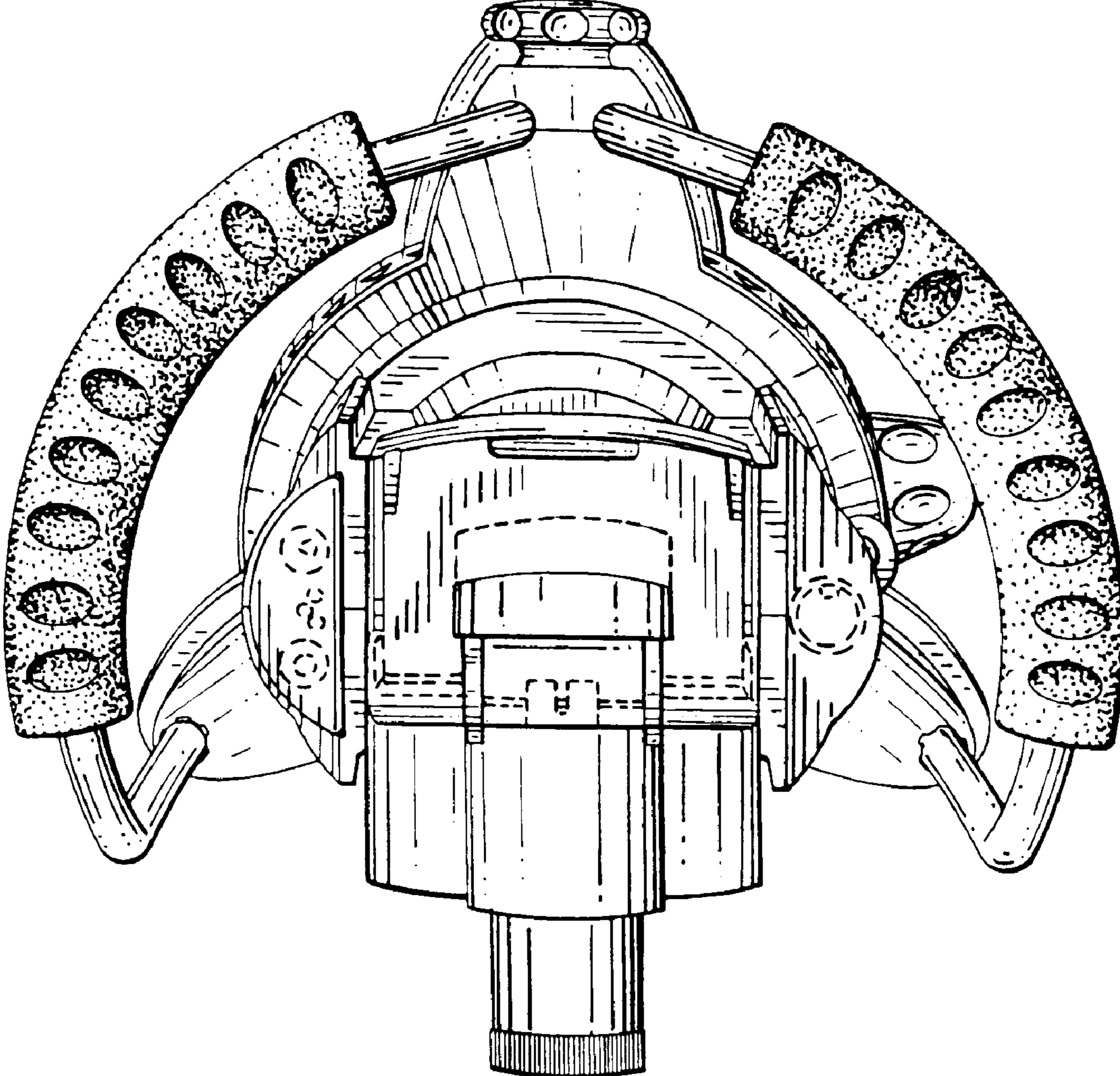


FIG. 1

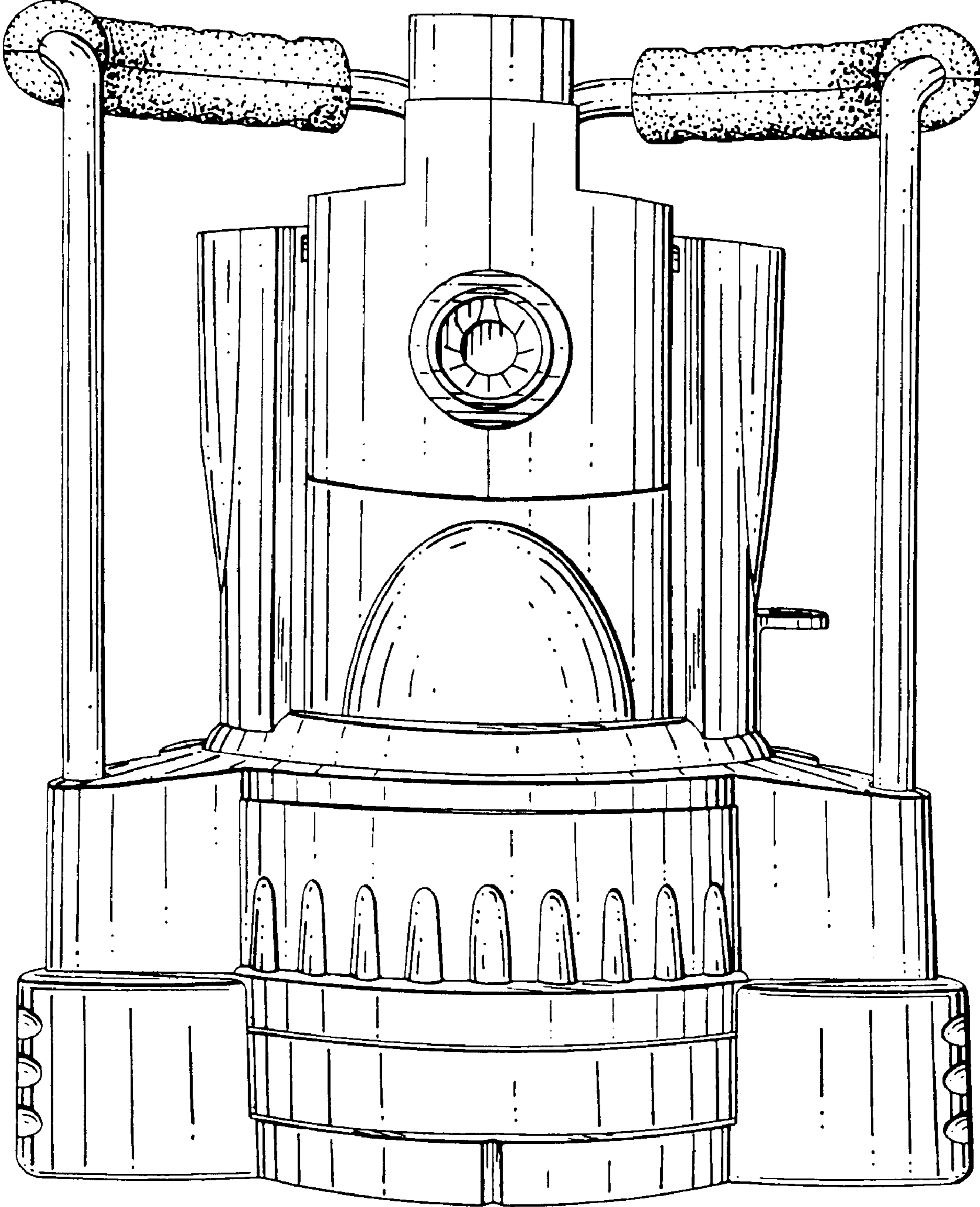


FIG. 2

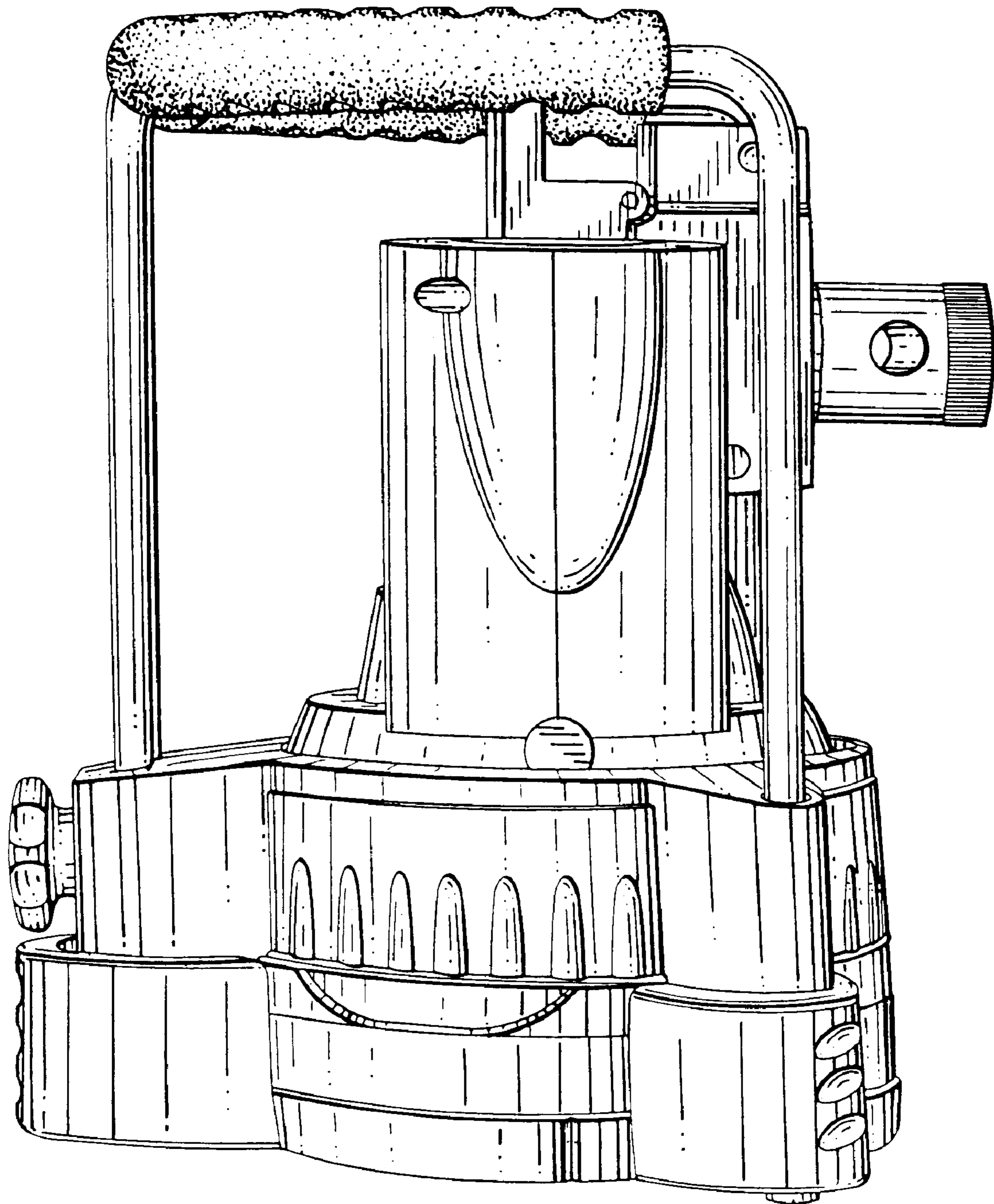


FIG. 3

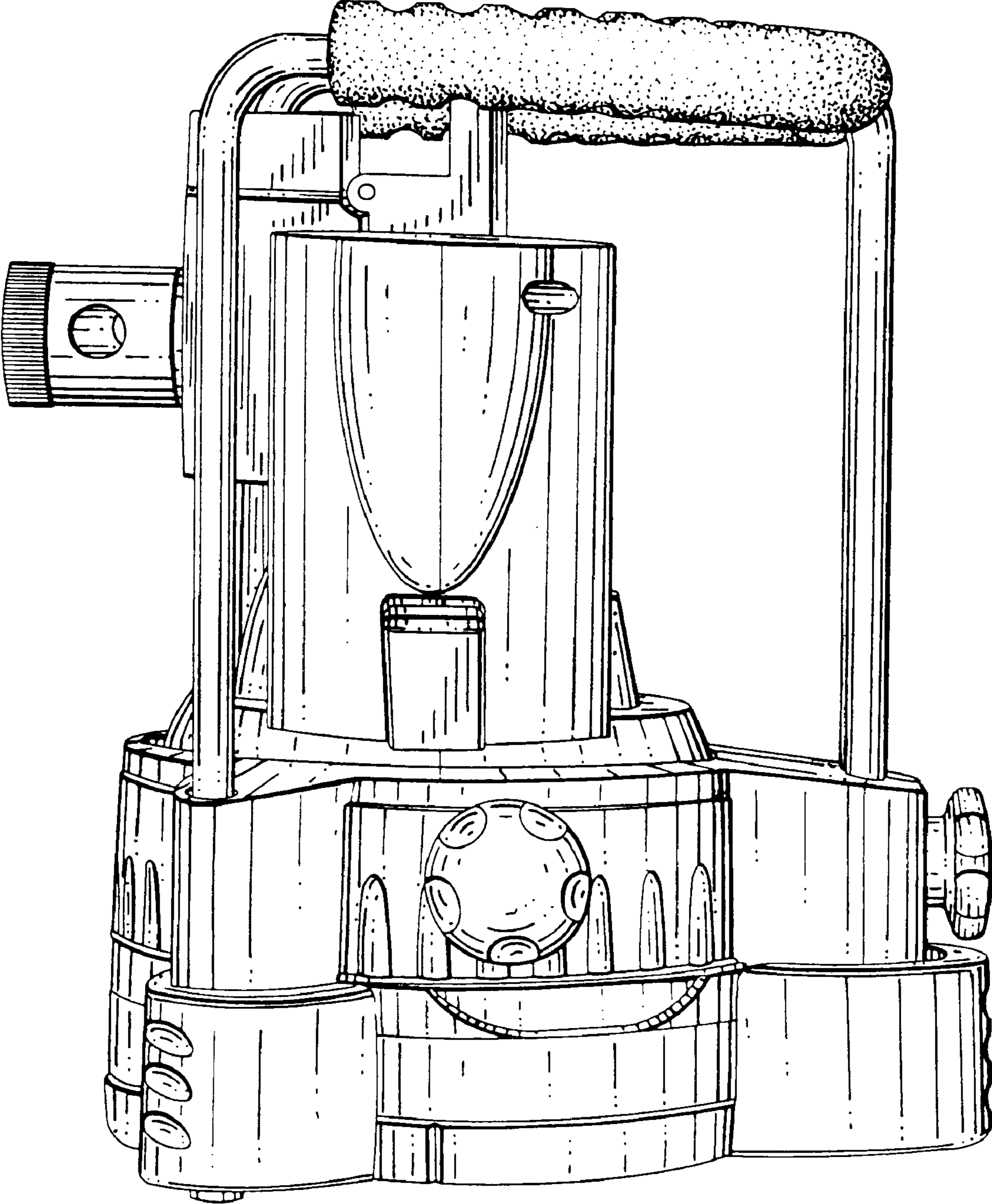


FIG. 4

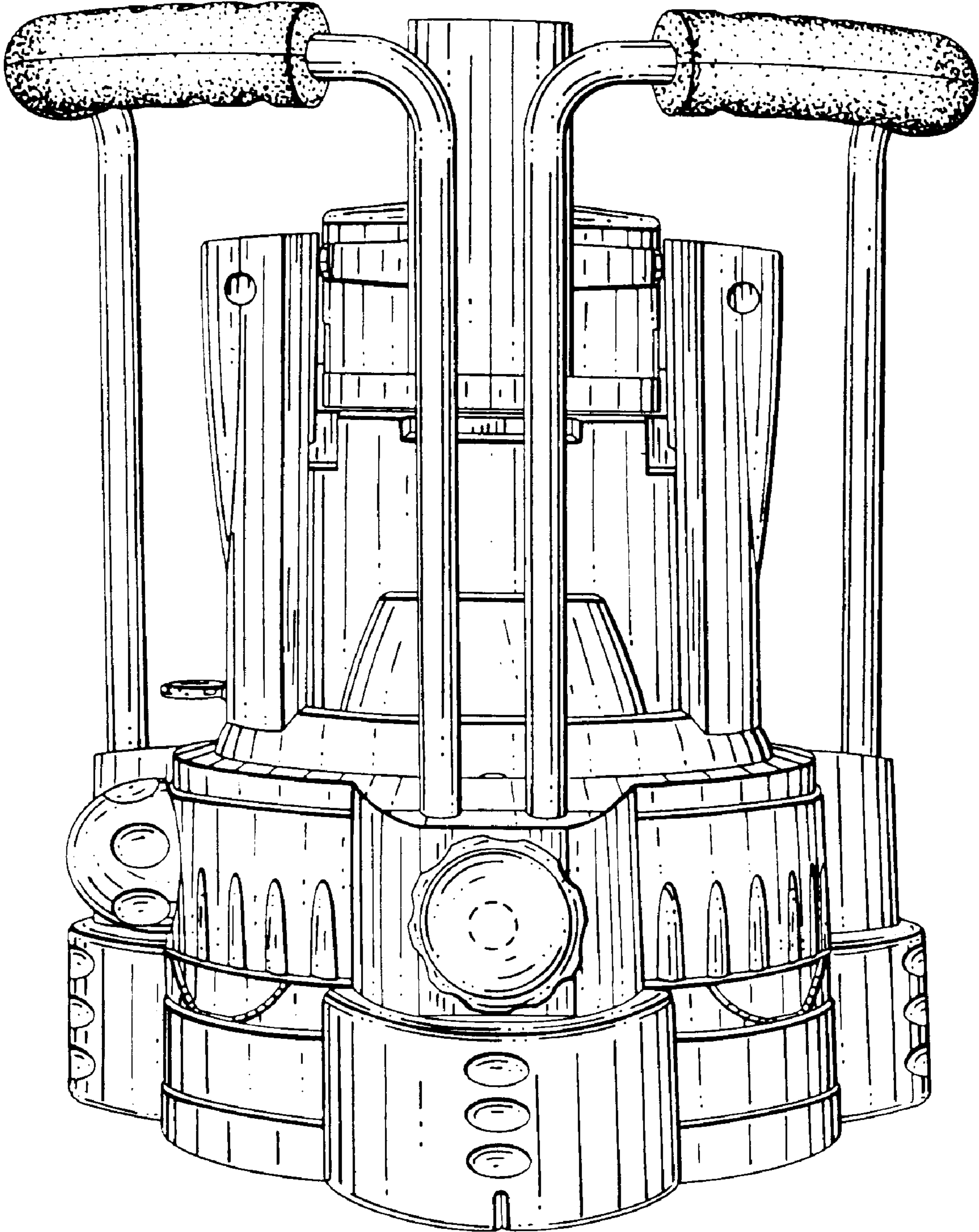


FIG. 5

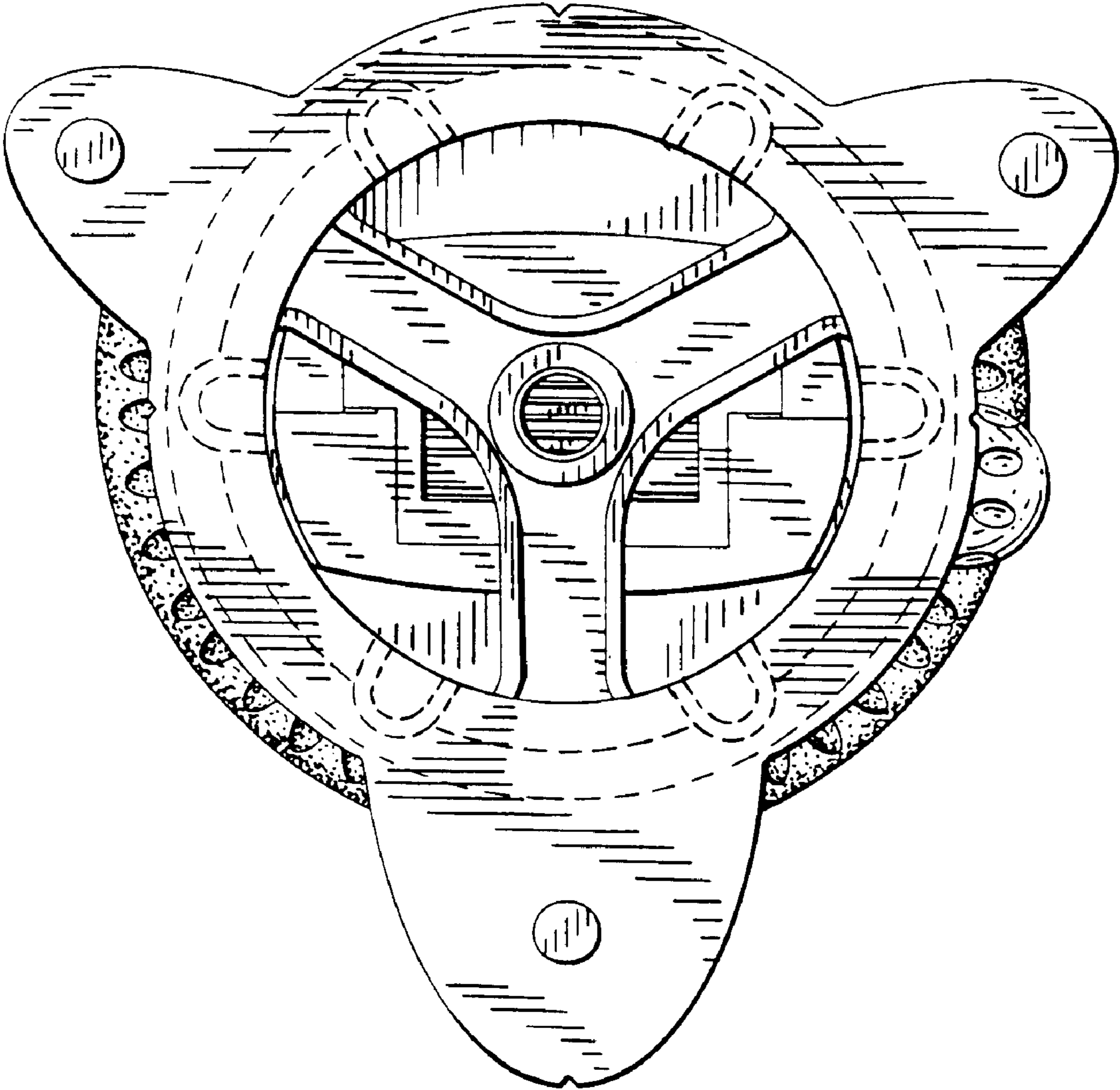


FIG. 6